



US00D755778S

(12) **United States Design Patent**  
**Quilling, II**

(10) **Patent No.:** **US D755,778 S**

(45) **Date of Patent:** **\*\* May 10, 2016**

(54) **AUTO STEREO MOUNTING DEVICE**

(56) **References Cited**

(71) Applicant: **R. Spencer Quilling, II**, Deland, FL  
(US)

U.S. PATENT DOCUMENTS

(72) Inventor: **R. Spencer Quilling, II**, Deland, FL  
(US)

D492,288 S *	6/2004	Quilling, II	.....	D14/224
D545,661 S *	7/2007	Quilling, II	.....	D14/258
D582,912 S *	12/2008	Quilling, II	.....	D14/258
D611,939 S *	3/2010	Quilling, II	.....	D14/258
D639,287 S *	6/2011	Quilling, II	.....	D14/258
D639,293 S *	6/2011	Fiore, IV	.....	D14/258
D716,790 S *	11/2014	Fiore, IV	.....	D14/258

(73) Assignee: **Metra Electronics Corporation**, Holly Hill, FL (US)

\* cited by examiner

(\*\*) Term: **14 Years**

*Primary Examiner* — Sandra Morris

(74) *Attorney, Agent, or Firm* — J. Wiley Horton

(21) Appl. No.: **29/519,061**

(57) **CLAIM**

The ornamental design for an “auto stereo mounting device,” as shown and described.

(22) Filed: **Mar. 2, 2015**

**DESCRIPTION**

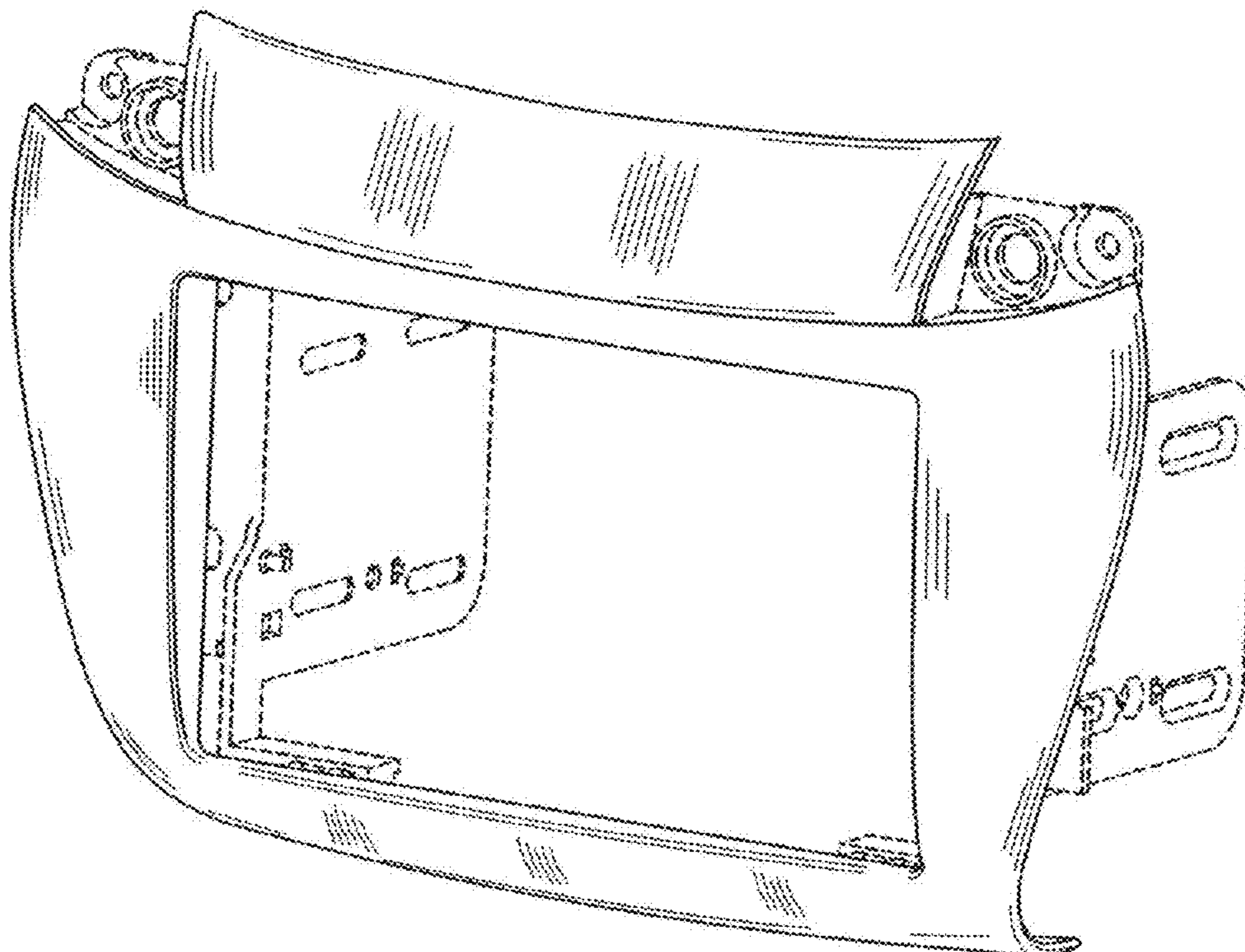
(51) **LOC (10) Cl.** ..... **14-03**

(52) **U.S. Cl.**  
USPC ..... **D14/258**

(58) **Field of Classification Search**  
USPC ..... D12/192, 195, 415, 420; D14/157, 168,  
D14/218, 224, 257–258, 265; 248/27.1,  
248/27.3, 558; 455/347, 350  
CPC ..... B60K 37/04; H04B 1/08; H04B 1/082  
See application file for complete search history.

FIG. 1 is a perspective view of an auto stereo mounting device, showing my design;  
FIG. 2 is a front elevation view of FIG. 1;  
FIG. 3 is a rear elevation view of FIG. 1;  
FIG. 4 is a right side elevation view of FIG. 1;  
FIG. 5 is a left side elevation view of FIG. 1;  
FIG. 6 is a top plan view of FIG. 1; and,  
FIG. 7 is a bottom plan view of FIG. 1.  
The broken lines shown in all views illustrate mounting features which form no part of claimed design.

**1 Claim, 7 Drawing Sheets**



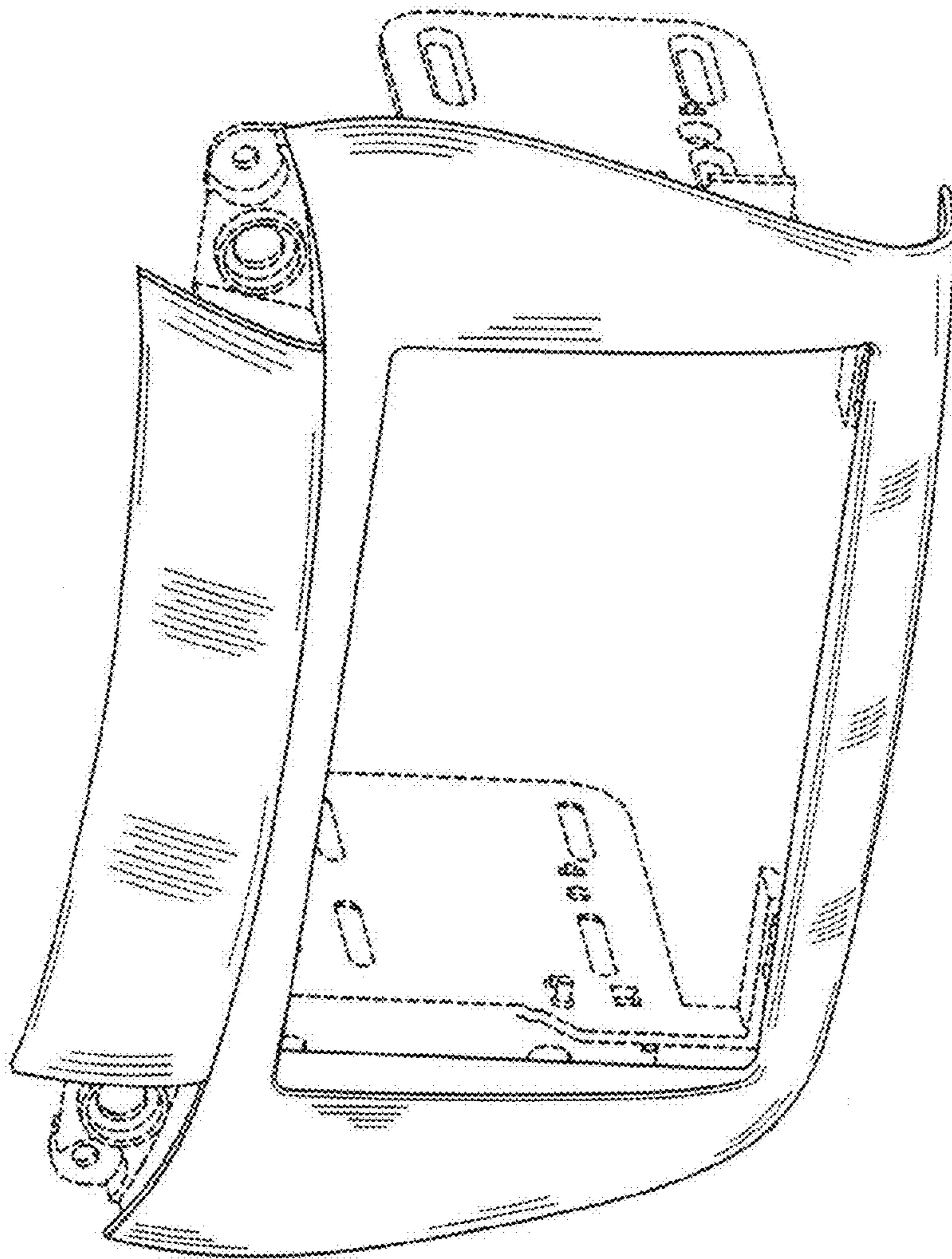


FIG. 1

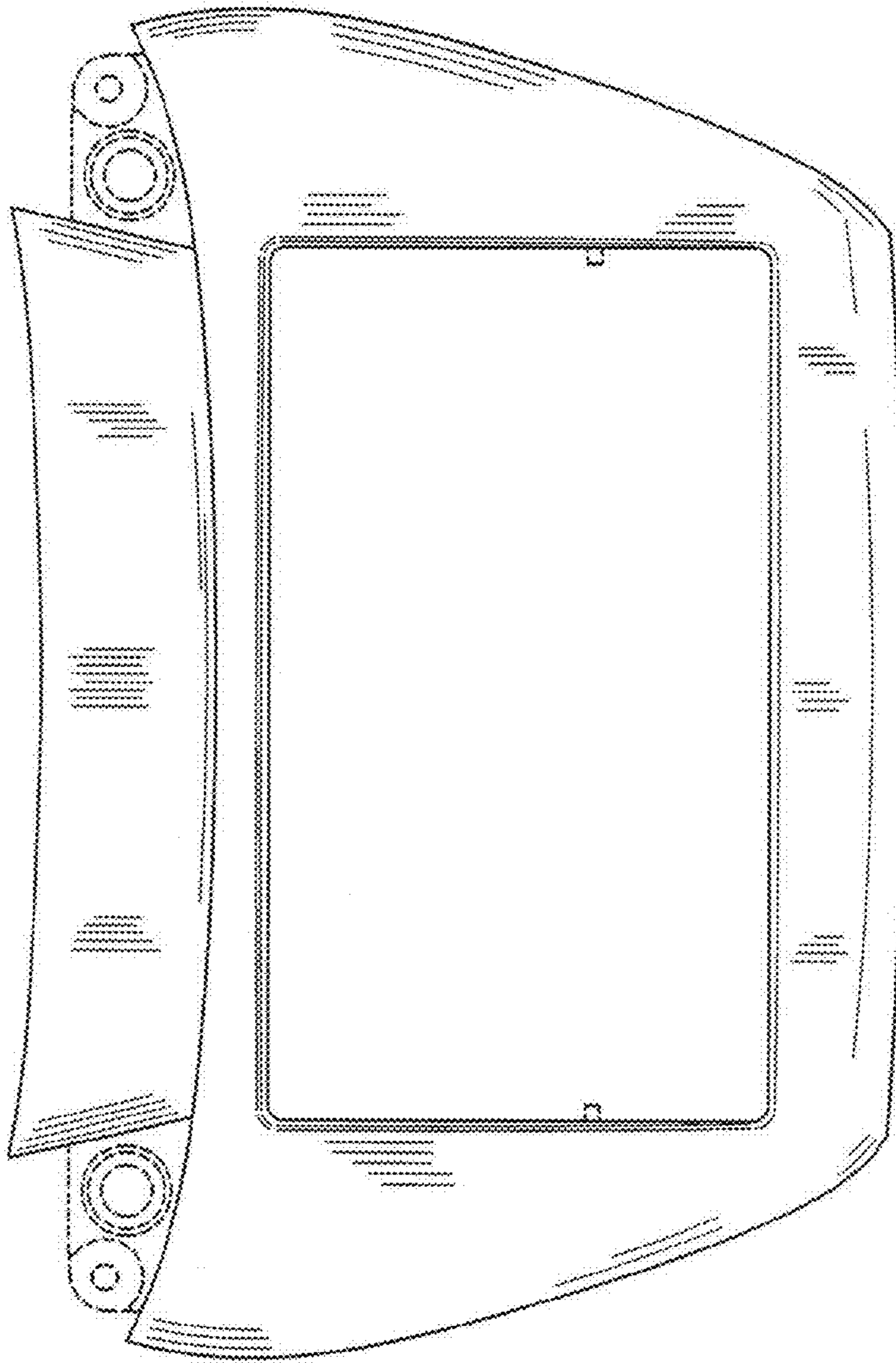


FIG. 2

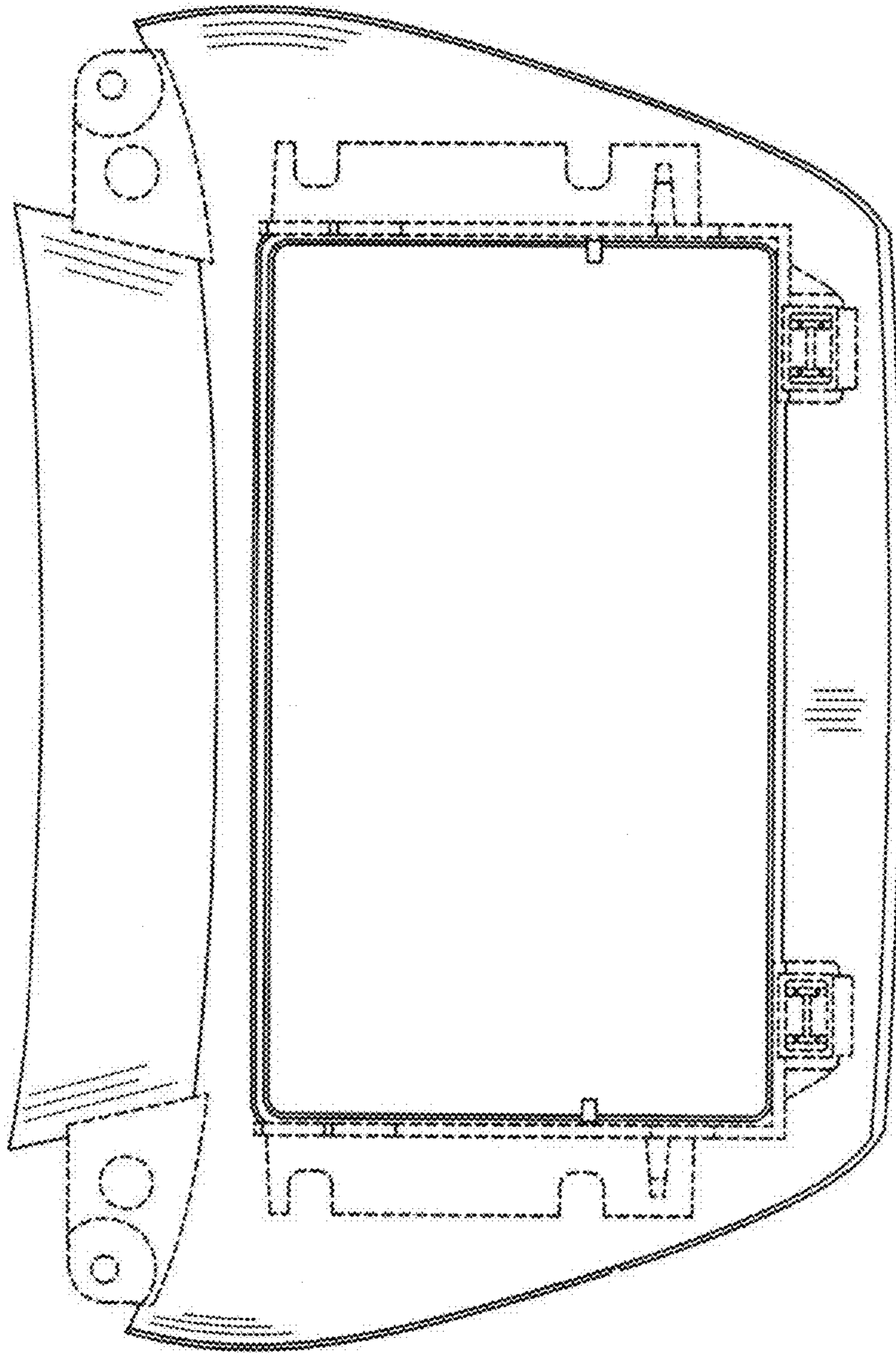


FIG. 3

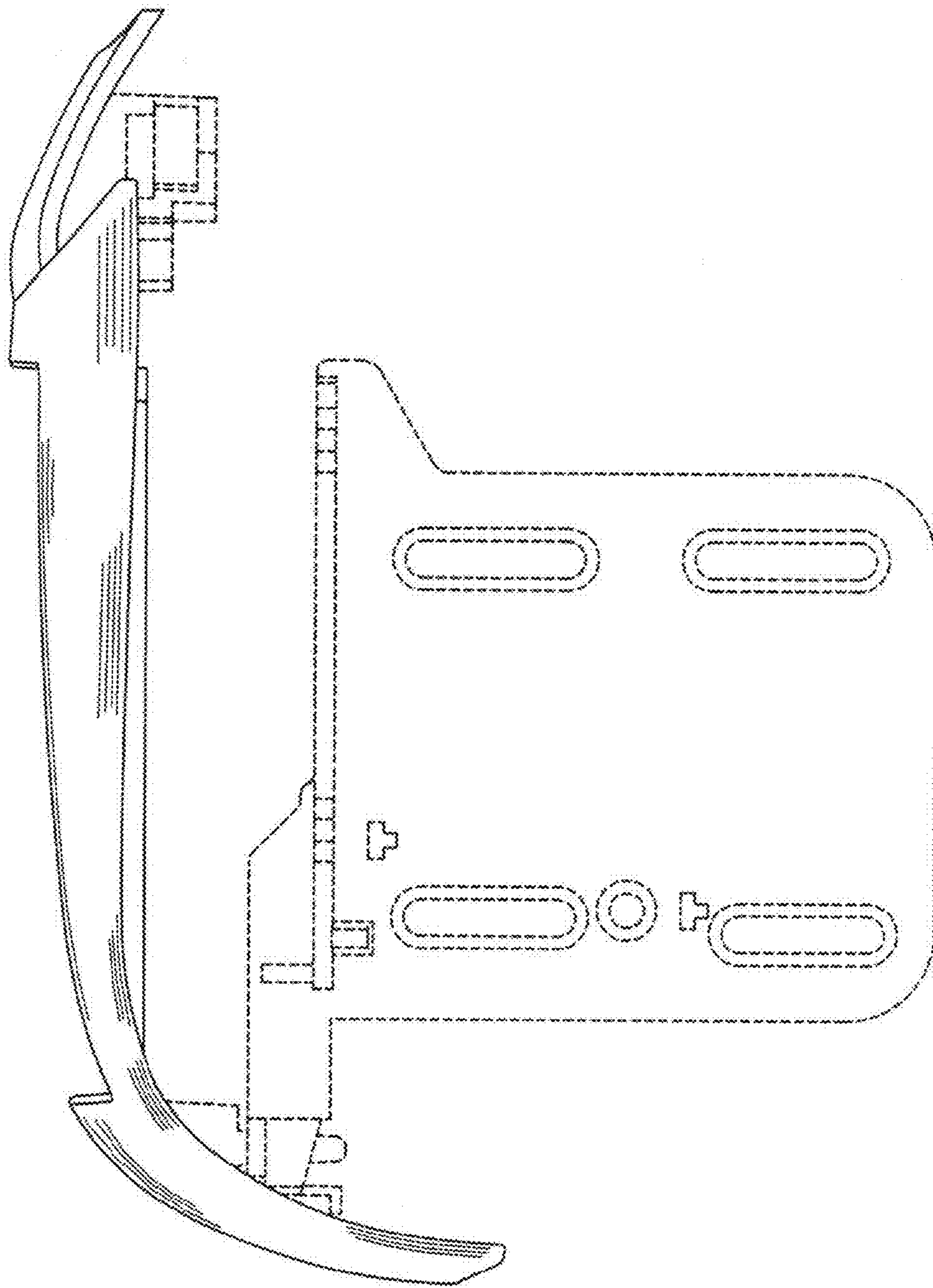


FIG. 4

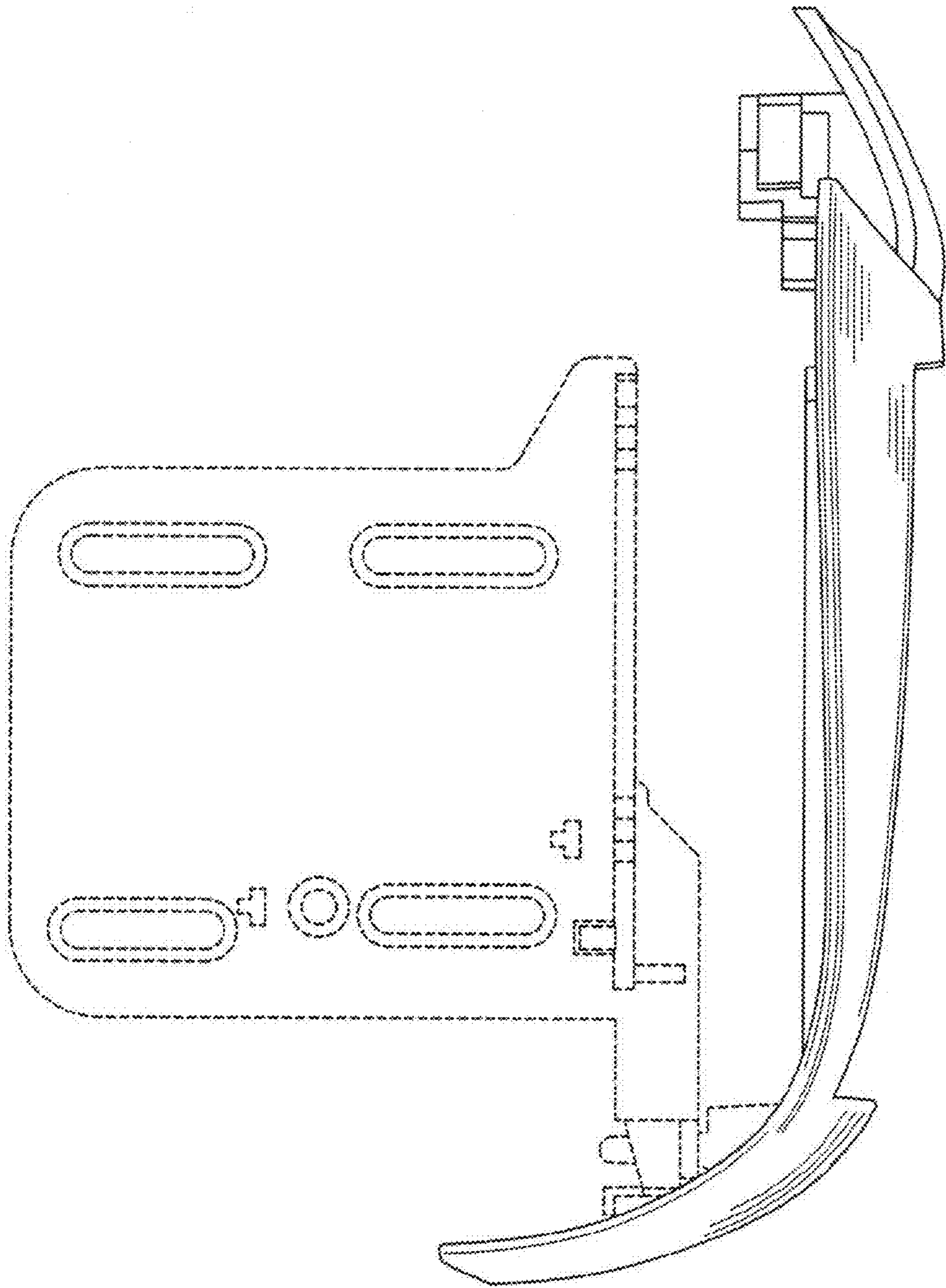


FIG. 5

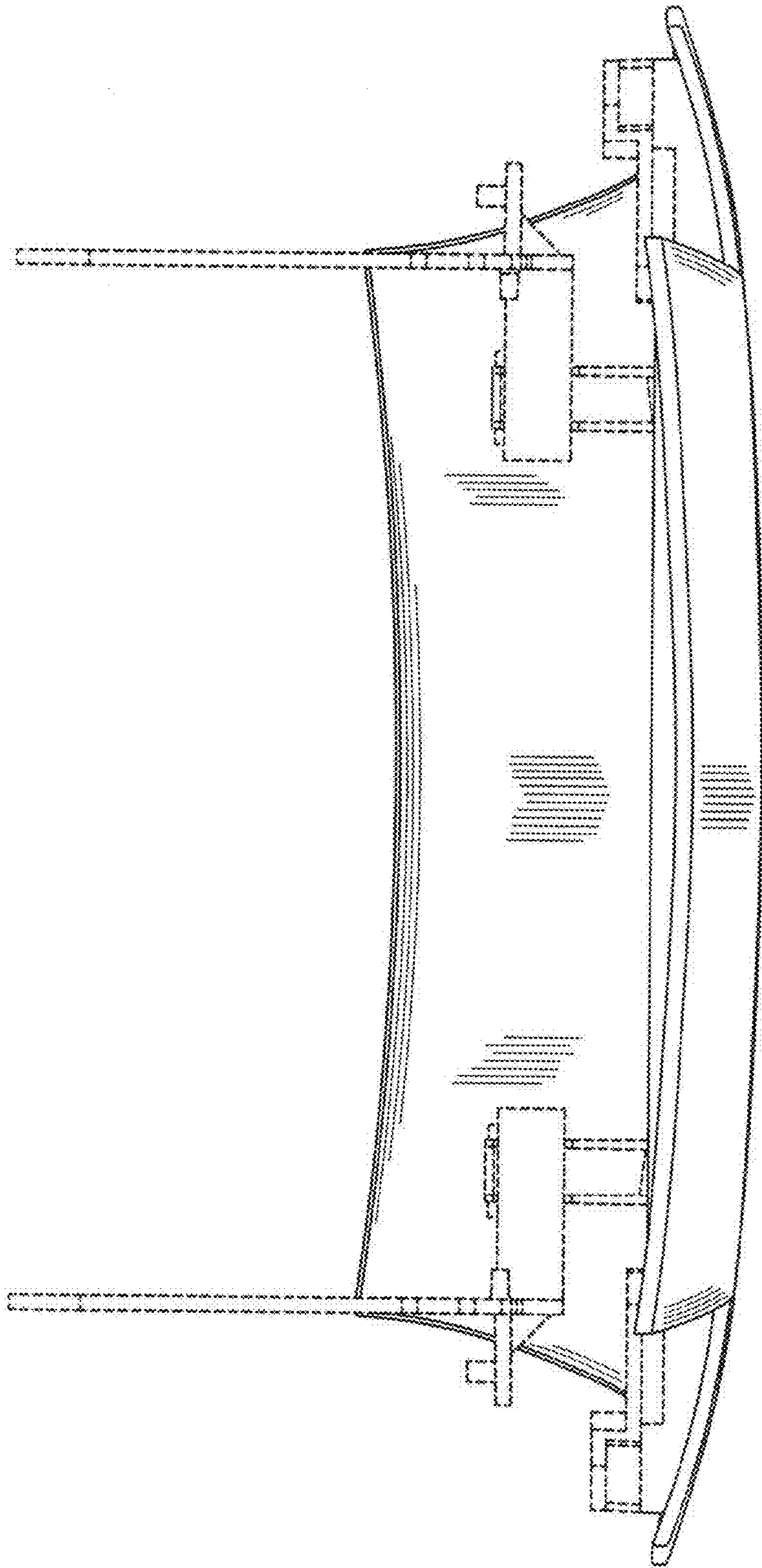


FIG. 6

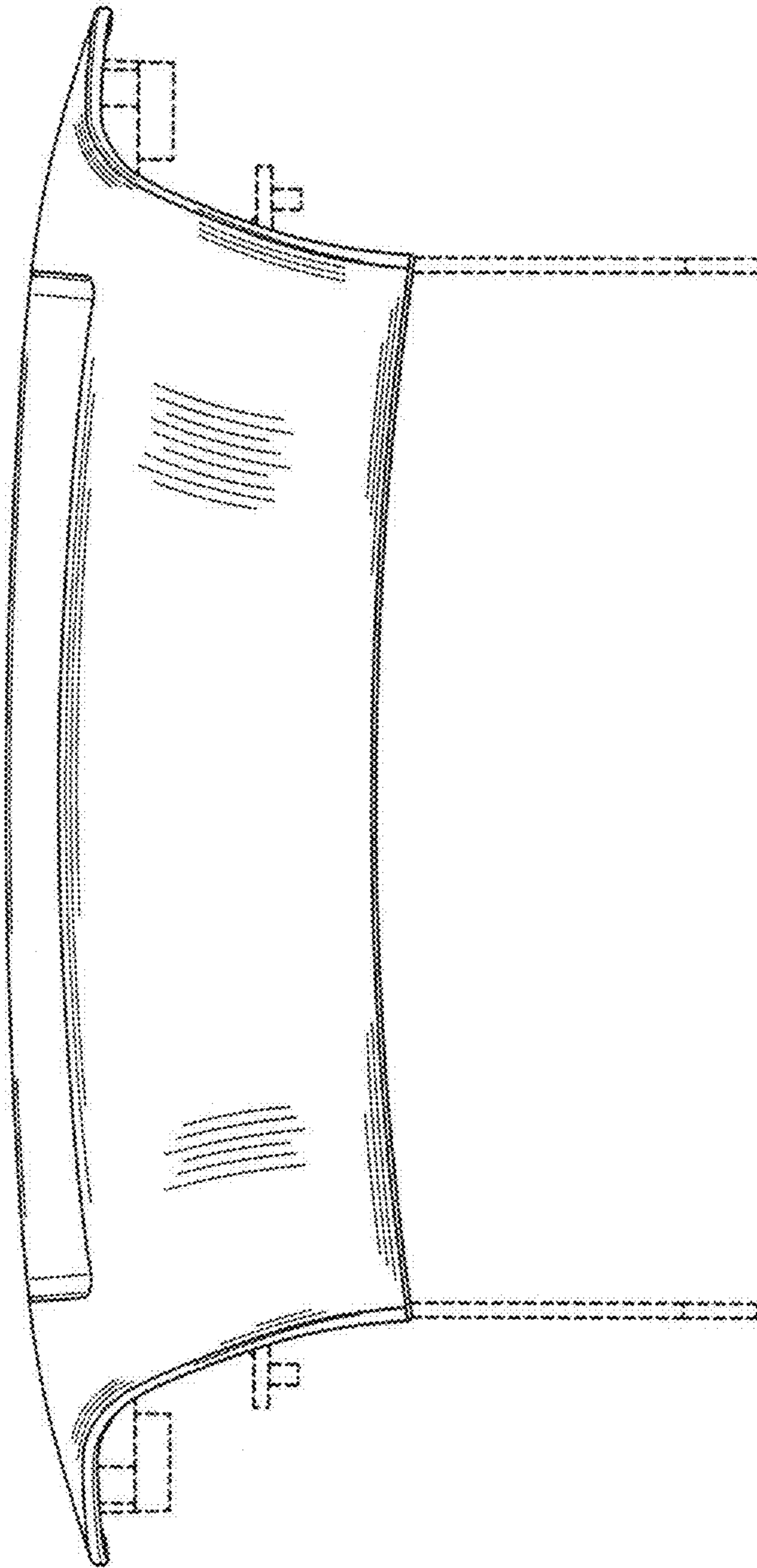


FIG. 7