



US00D755777S

(12) **United States Design Patent**
Fiore, IV

(10) **Patent No.:** **US D755,777 S**
(45) **Date of Patent:** **** May 10, 2016**

(54) **AUTO STEREO MOUNTING DEVICE**

(56) **References Cited**

(71) Applicant: **Anthony Fiore, IV**, Palm Coast, FL
(US)

U.S. PATENT DOCUMENTS

(72) Inventor: **Anthony Fiore, IV**, Palm Coast, FL
(US)

D555,647 S * 11/2007 Quilling, II D14/224
D639,292 S * 6/2011 Fiore, IV D14/258

(73) Assignee: **Metra Electronics Corporation**, Holly Hill, FL (US)

* cited by examiner

Primary Examiner — Sandra Morris

(**) Term: **14 Years**

(74) *Attorney, Agent, or Firm* — J. Wiley Horton

(21) Appl. No.: **29/519,050**

(57) **CLAIM**

The ornamental design for an “auto stereo mounting device,” as shown and described.

(22) Filed: **Mar. 2, 2015**

DESCRIPTION

(51) **LOC (10) Cl.** **14-03**

FIG. 1 is a perspective view of an auto stereo mounting device, showing my design;

(52) **U.S. Cl.**

FIG. 2 is a front elevation view of FIG. 1;

USPC **D14/258**

FIG. 3 is a rear elevation view of FIG. 1;

(58) **Field of Classification Search**

USPC D12/192, 195, 415, 420; D14/157, 168,
D14/218, 224, 257–258, 265; 248/27.1,
248/27.3, 558; 455/347, 350

FIG. 4 is a right side elevation view of FIG. 1;

CPC B60K 37/04; H04B 1/08; H04B 1/082

FIG. 5 is a left side elevation view of FIG. 1;

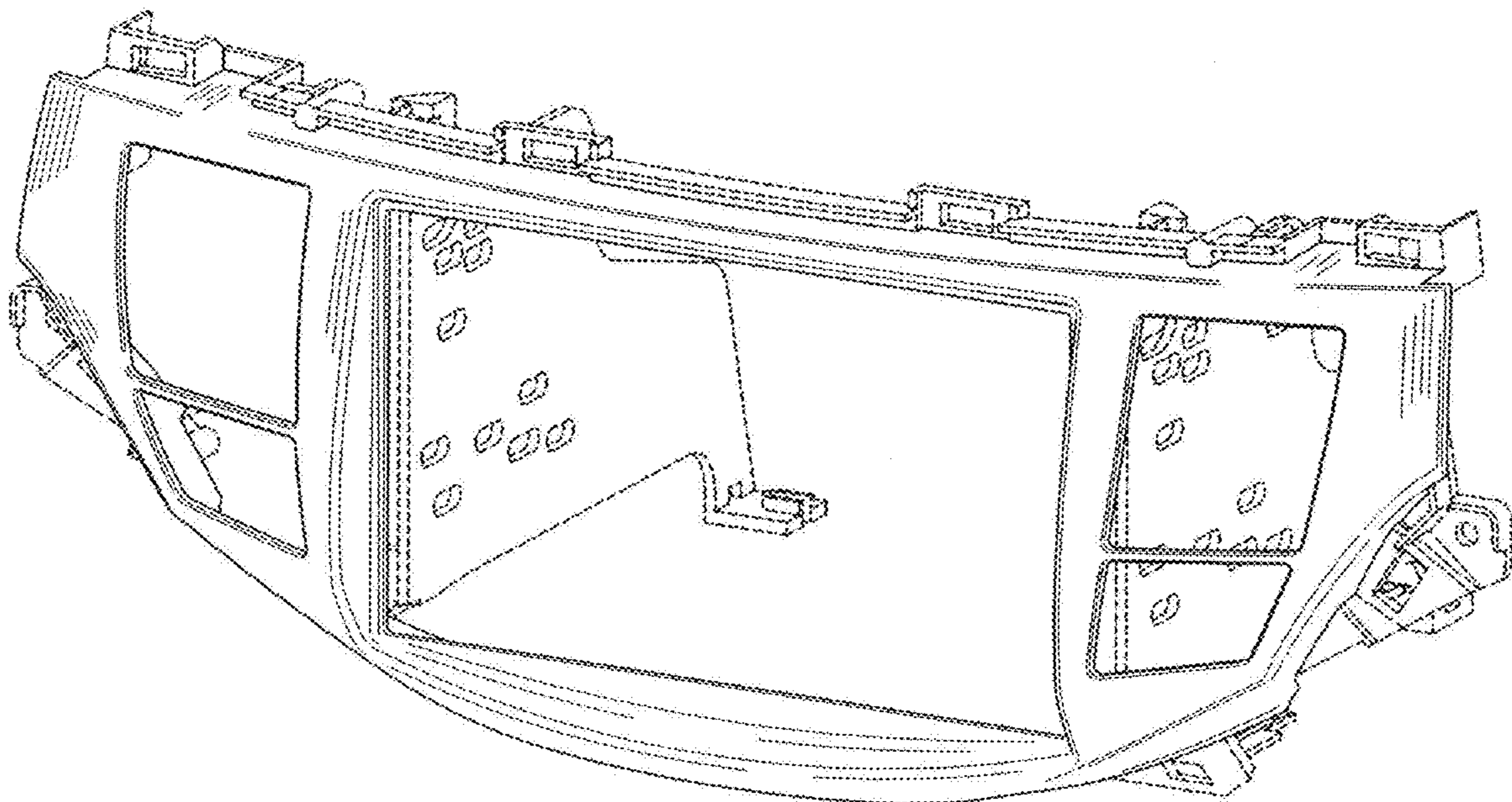
See application file for complete search history.

FIG. 6 is a top plan view of FIG. 1; and,

FIG. 7 is a bottom plan view of FIG. 1.

The broken lines shown in all views illustrate mounting features which form no part of the claimed design.

1 Claim, 7 Drawing Sheets



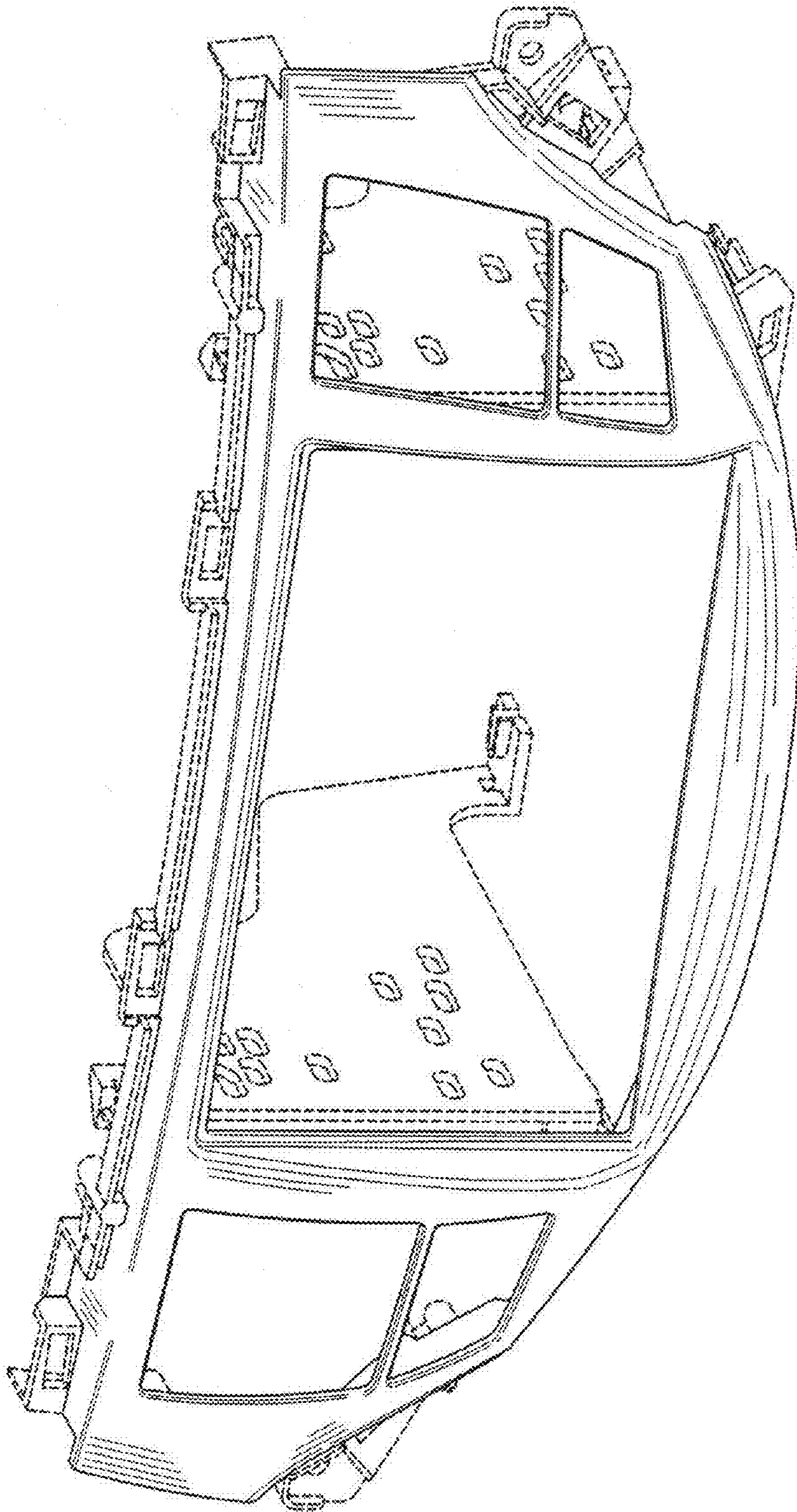


FIG. 1

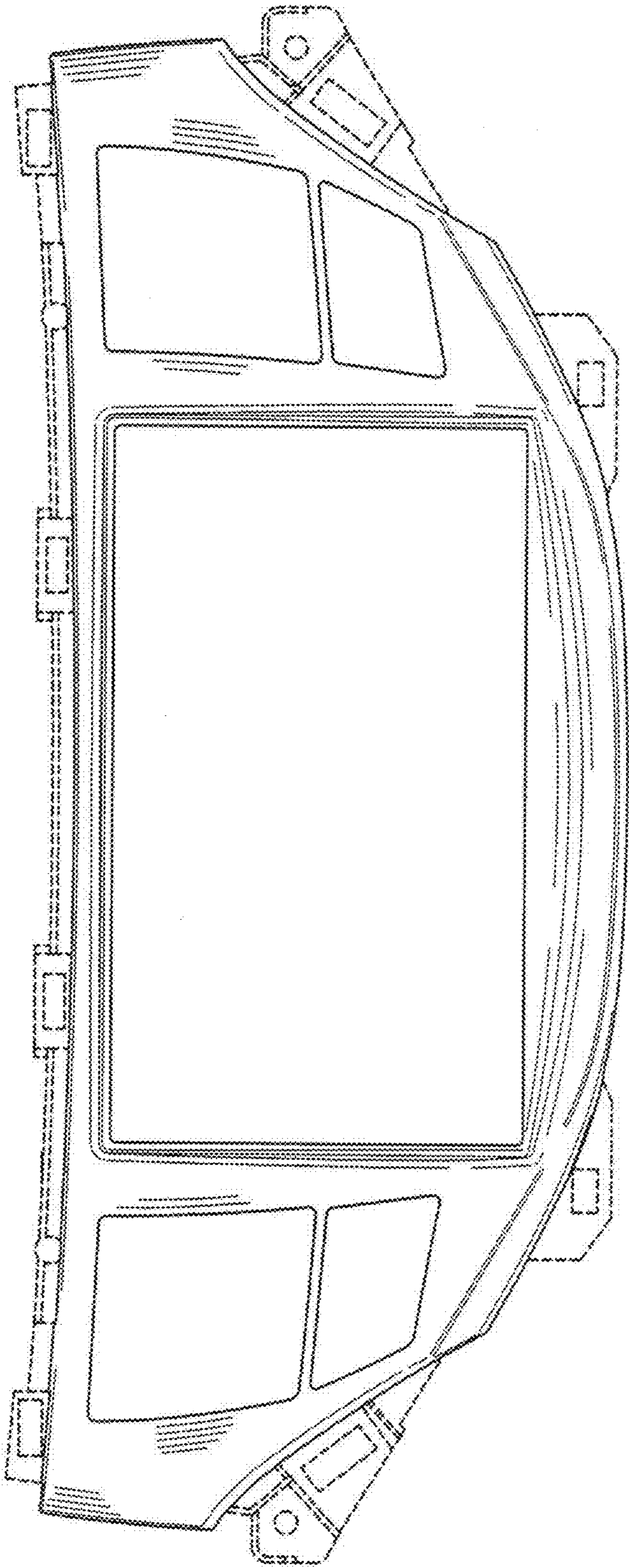


FIG. 2

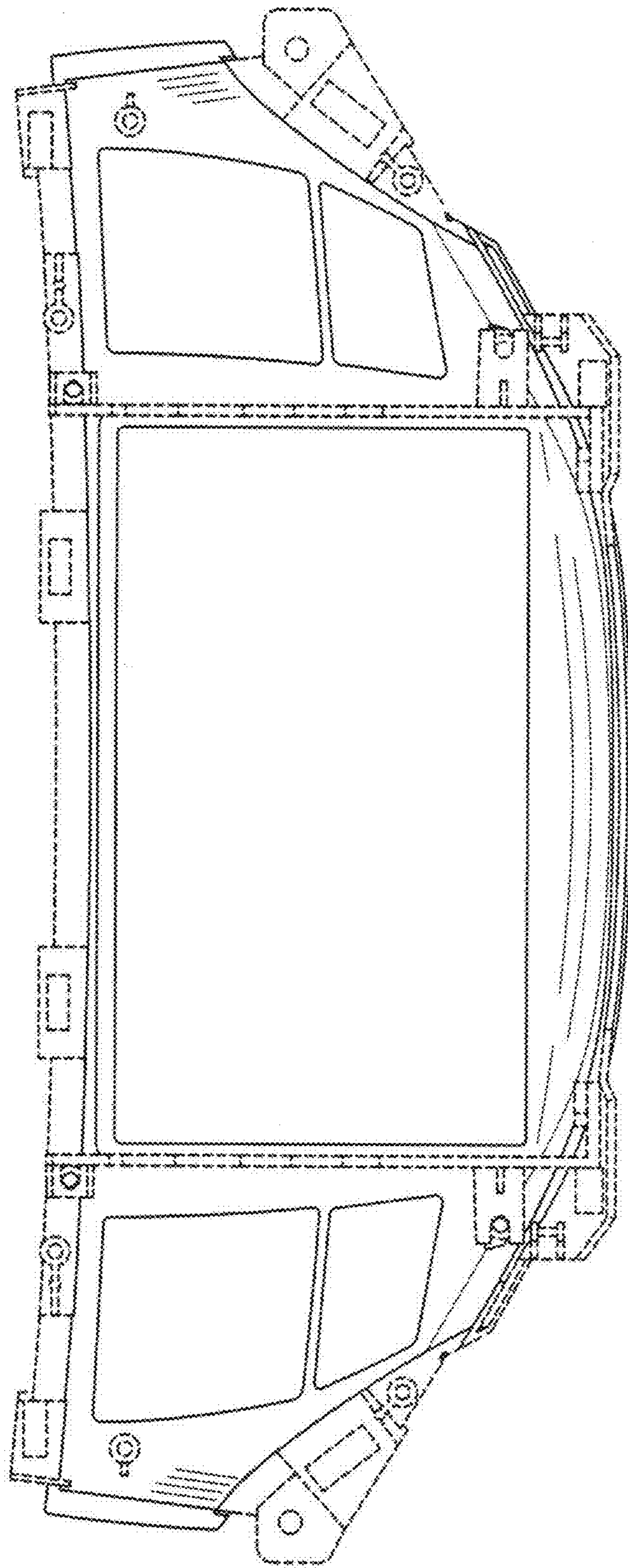


FIG. 3

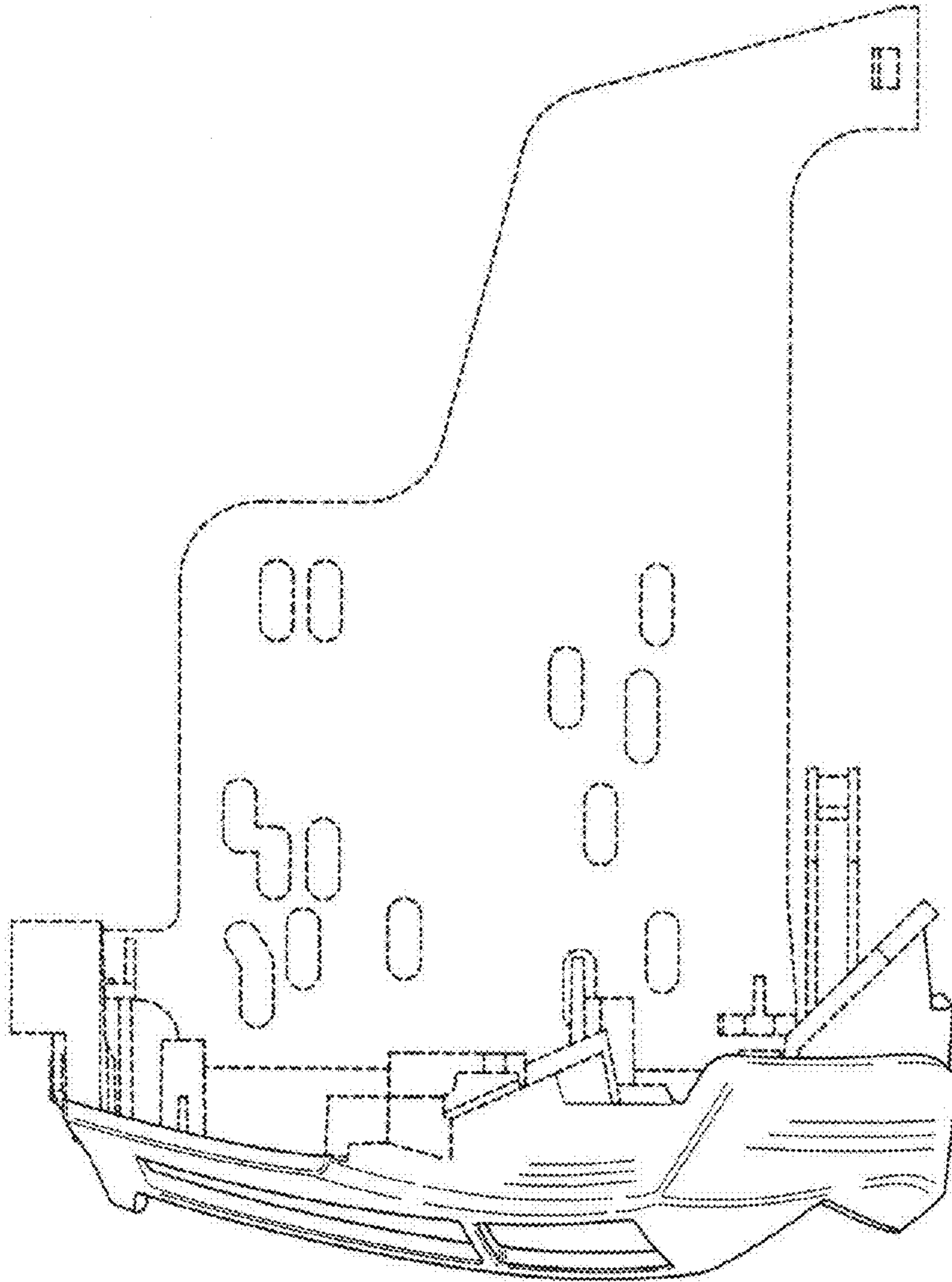


FIG. 4

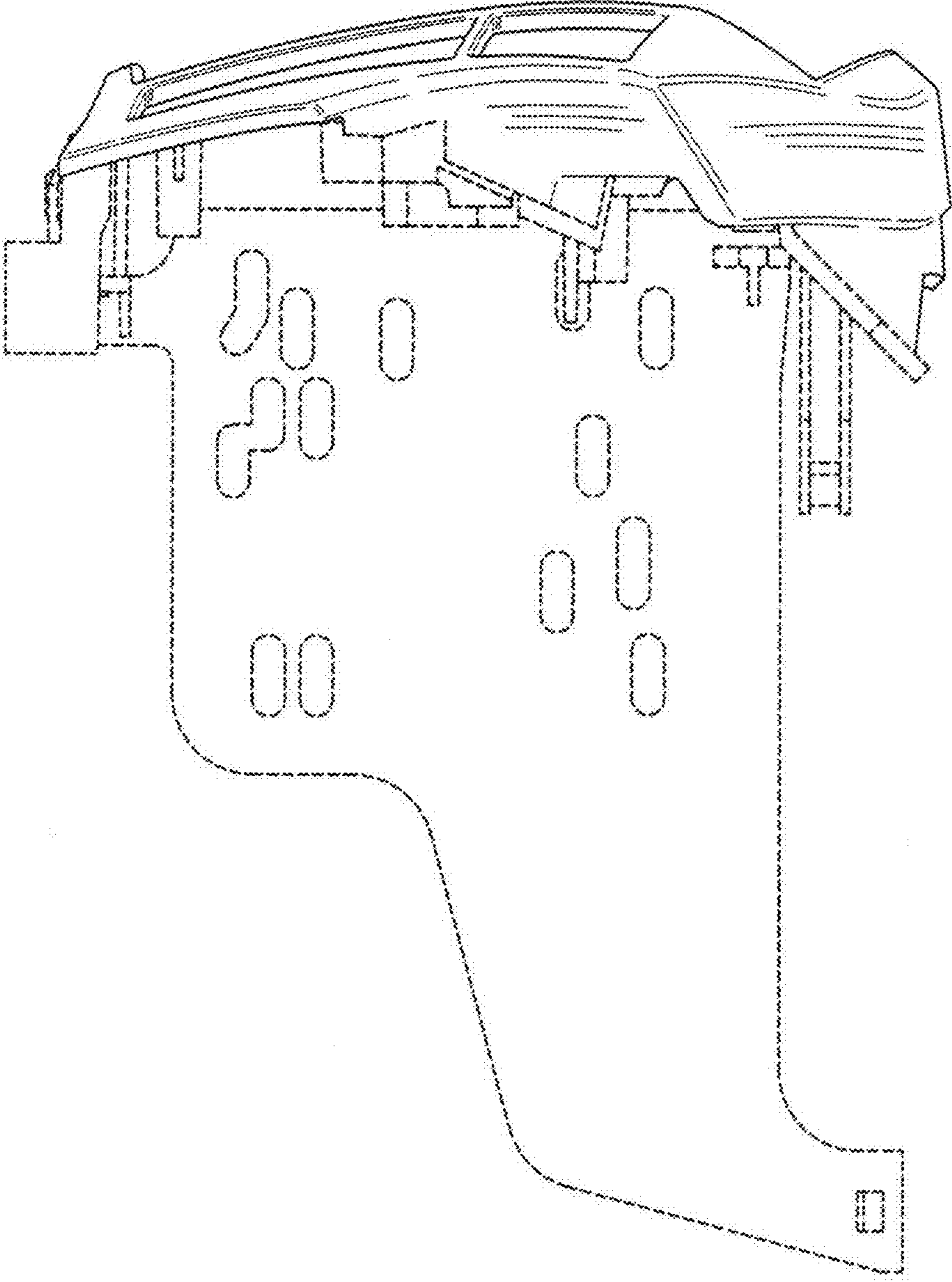


FIG. 5

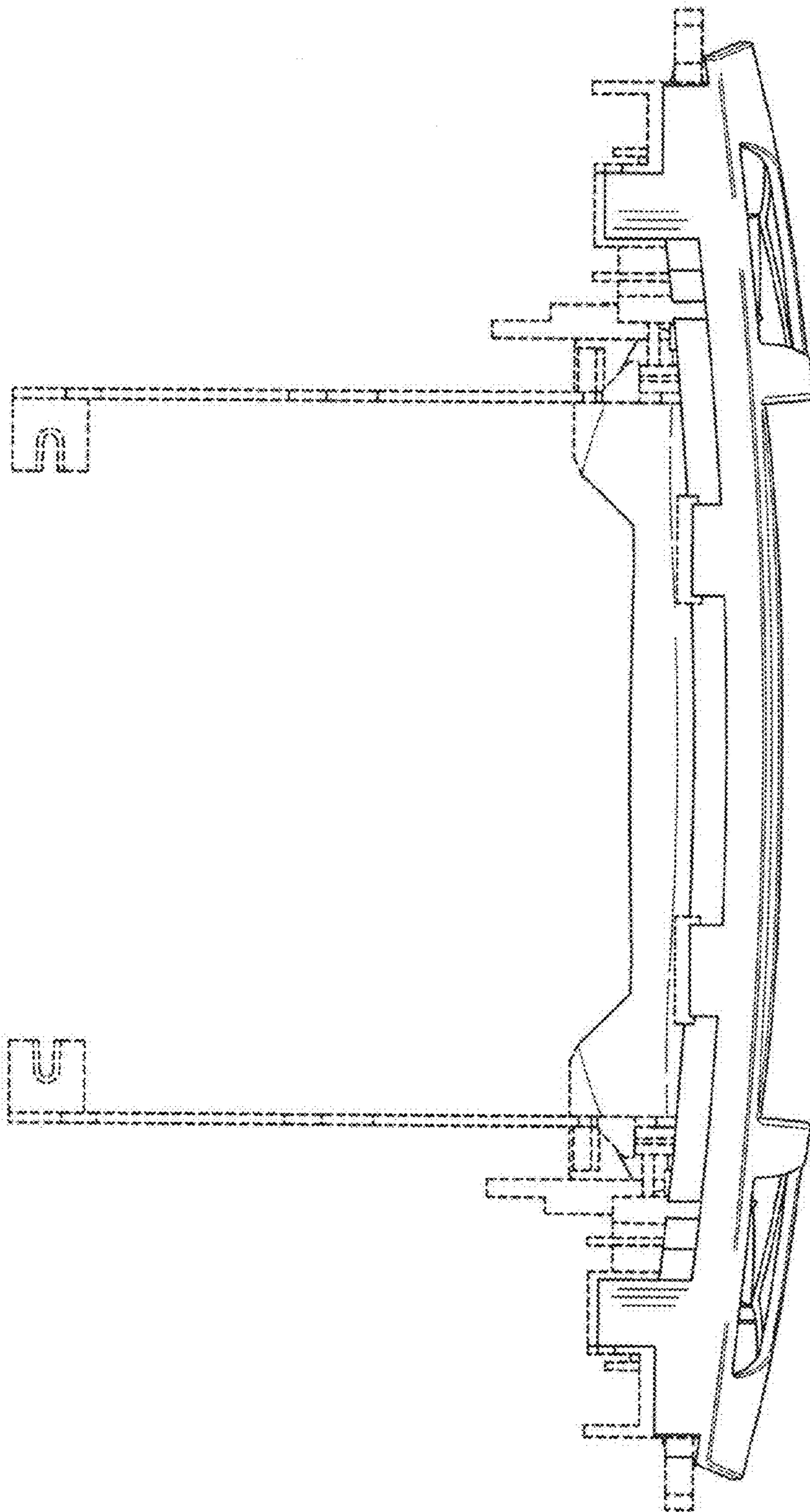


FIG. 6

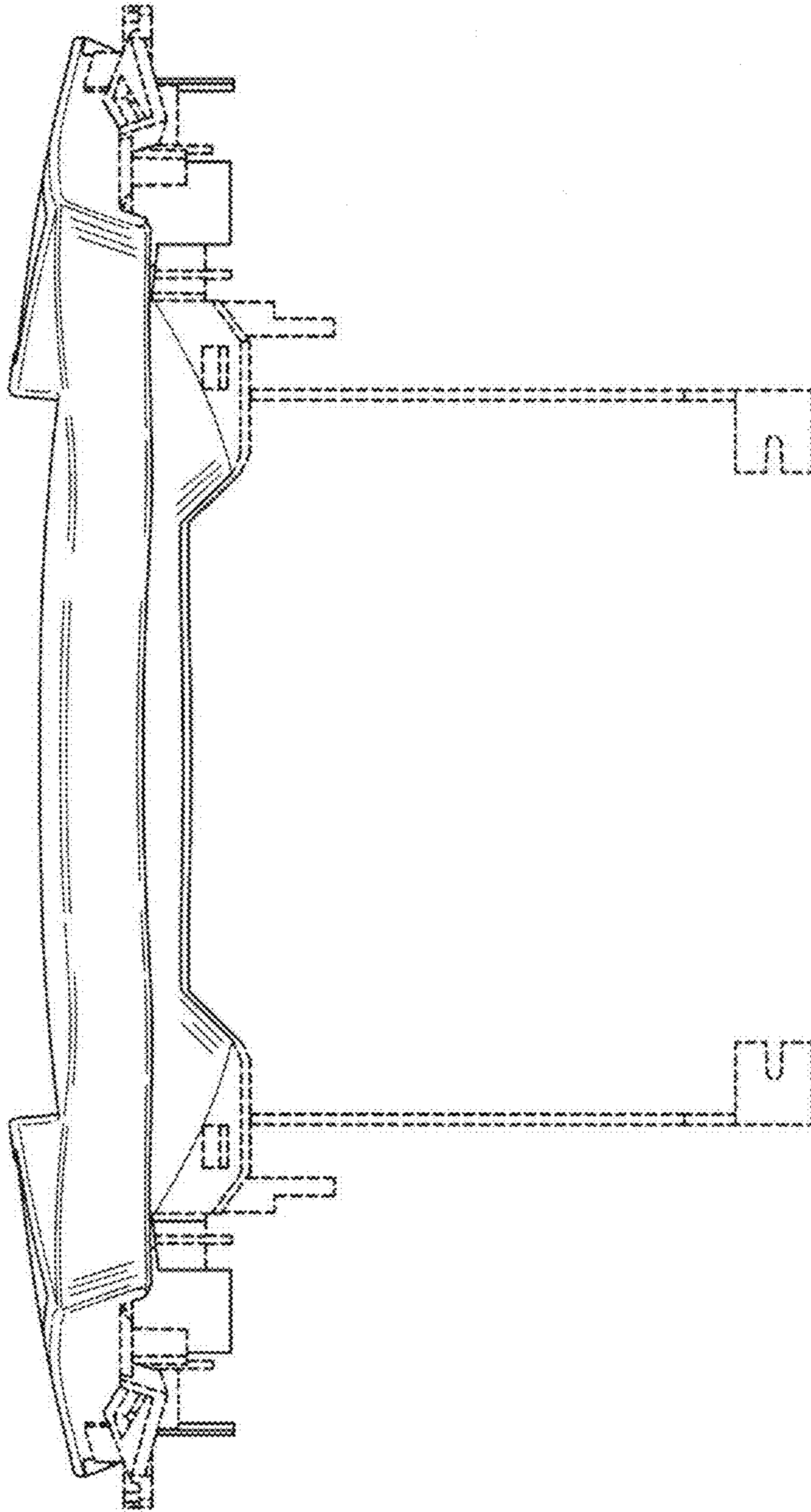


FIG. 7