

US00D755775S

(12) **United States Design Patent**
Fiore, IV

(10) **Patent No.:** **US D755,775 S**
(45) **Date of Patent:** **** May 10, 2016**

(54) **AUTO STEREO MOUNTING DEVICE**

(56) **References Cited**

(71) Applicant: **Anthony Fiore, IV**, Palm Coast, FL
(US)
(72) Inventor: **Anthony Fiore, IV**, Palm Coast, FL
(US)
(73) Assignee: **Metra Electronic Corporation**, Holly
Hill, FL (US)

U.S. PATENT DOCUMENTS

D449,026 S *	10/2001	Tsay	D12/192
7,177,730 B2 *	2/2007	Daly	B60R 11/0211 307/9.1
D555,647 S *	11/2007	Quilling, II	D14/224
D559,244 S *	1/2008	Fukuda	D14/258
D583,809 S *	12/2008	Fiore	D14/258
D602,483 S *	10/2009	Fiore, IV	D14/258
D632,622 S *	2/2011	Fujioka	D12/192
D639,794 S *	6/2011	Fiore, IV	D14/258

* cited by examiner

(**) Term: **14 Years**

Primary Examiner — Sandra Morris

(21) Appl. No.: **29/503,198**

(74) *Attorney, Agent, or Firm* — J. Wiley Horton

(22) Filed: **Sep. 24, 2014**

(57) **CLAIM**

The ornamental design for an “auto stereo mounting device,” as shown and described.

(51) **LOC (10) Cl.** **14-03**

DESCRIPTION

(52) **U.S. Cl.**

USPC **D14/258**

FIG. 1 is a perspective view of an auto stereo mounting device, showing my design;
FIG. 2 is a front elevation view of FIG. 1;
FIG. 3 is a rear elevation view of FIG. 1;
FIG. 4 is a right side elevation view of FIG. 1;
FIG. 5 is a left side elevation view of FIG. 1;
FIG. 6 is a top plan view of FIG. 1; and,
FIG. 7 is a bottom plan view of FIG. 1.
The broken lines shown in all views illustrate mounting features which form no part of the claimed design.

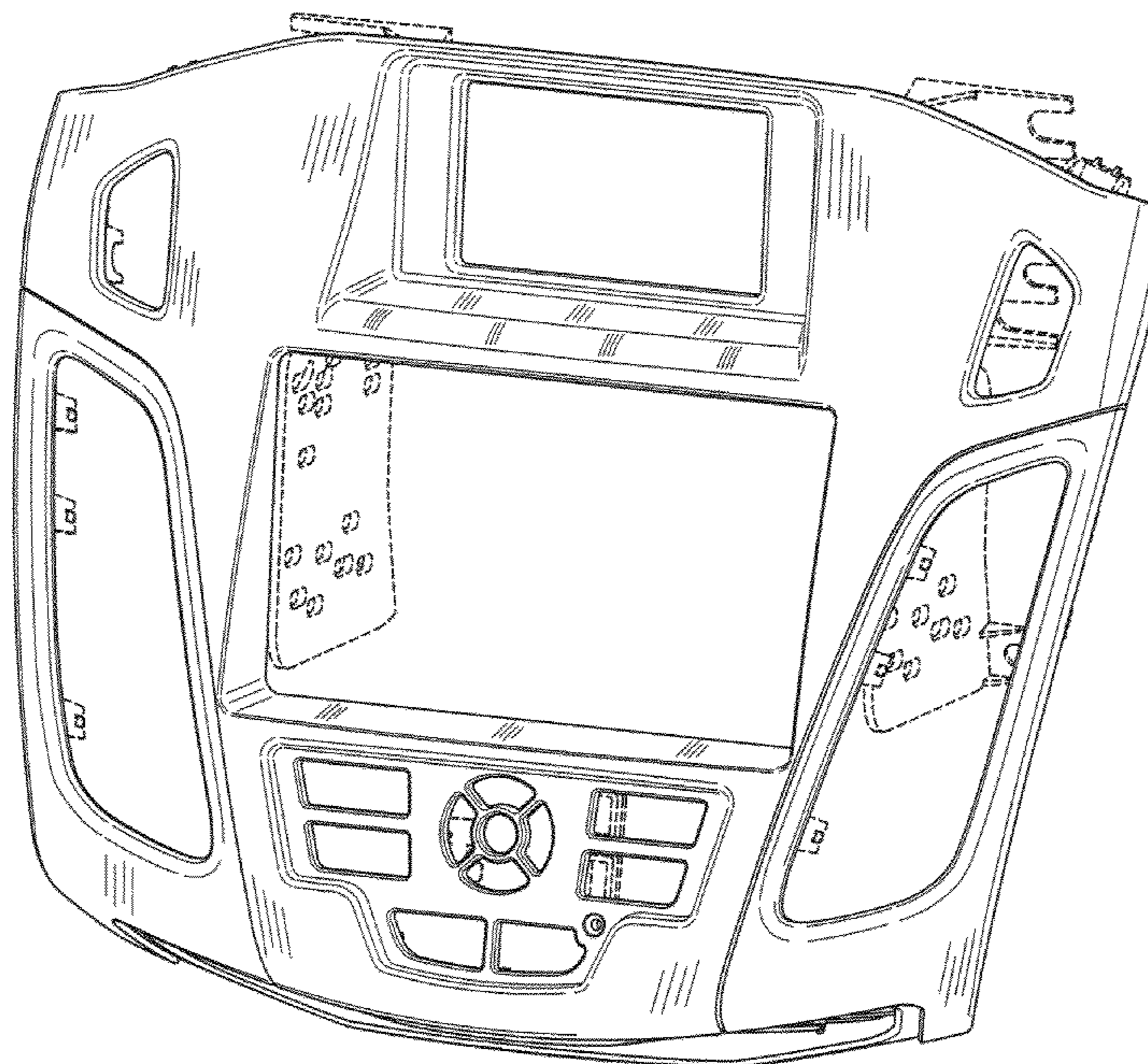
(58) **Field of Classification Search**

USPC D12/192, 195, 415, 420; D14/157, 168,
D14/218, 224, 257–258, 265; 248/27.1,
248/27.3, 558; 455/347, 350

CPC B60K 37/04; H04B 1/08; H04B 1/082

See application file for complete search history.

1 Claim, 7 Drawing Sheets



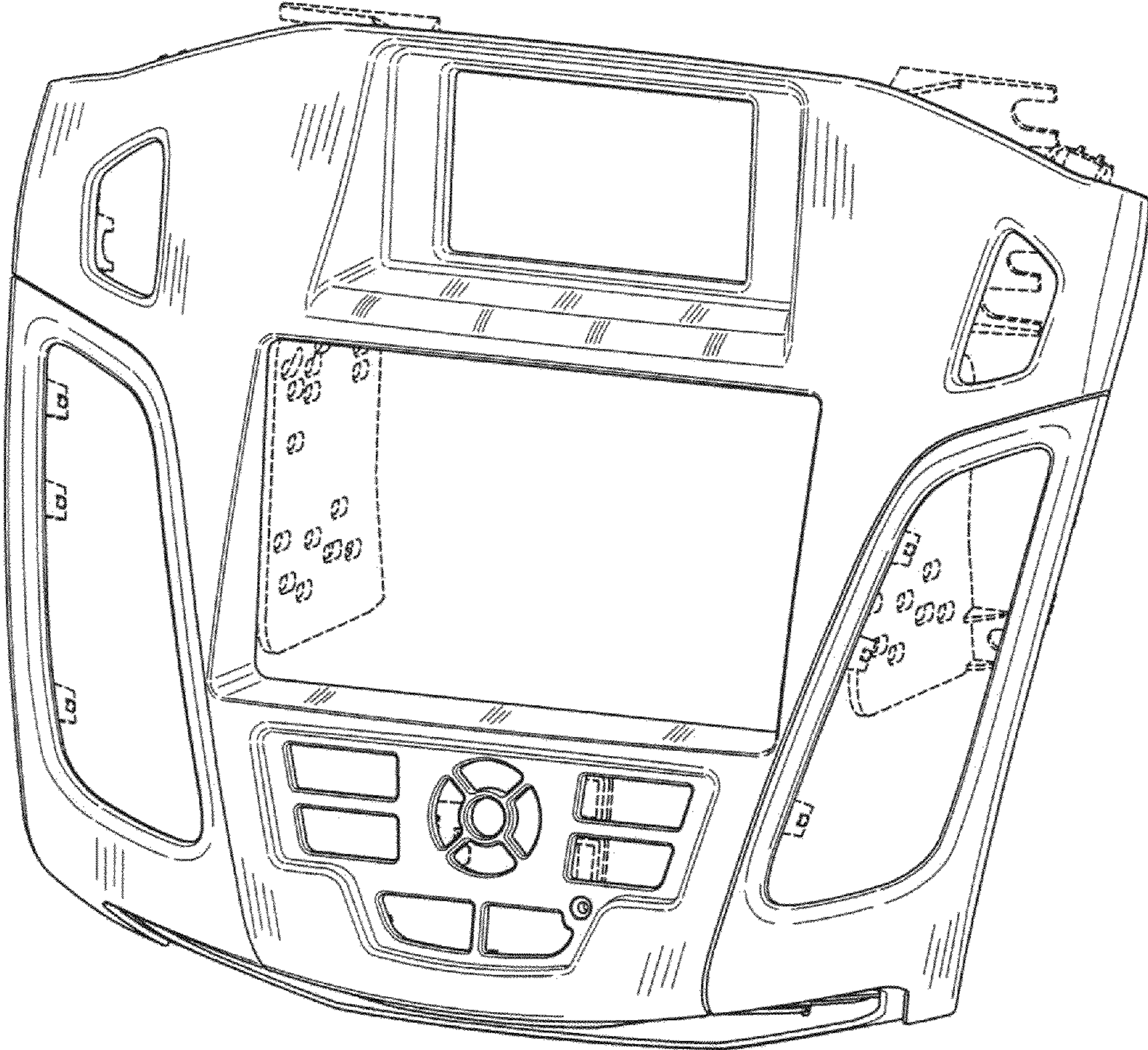


FIG. 1

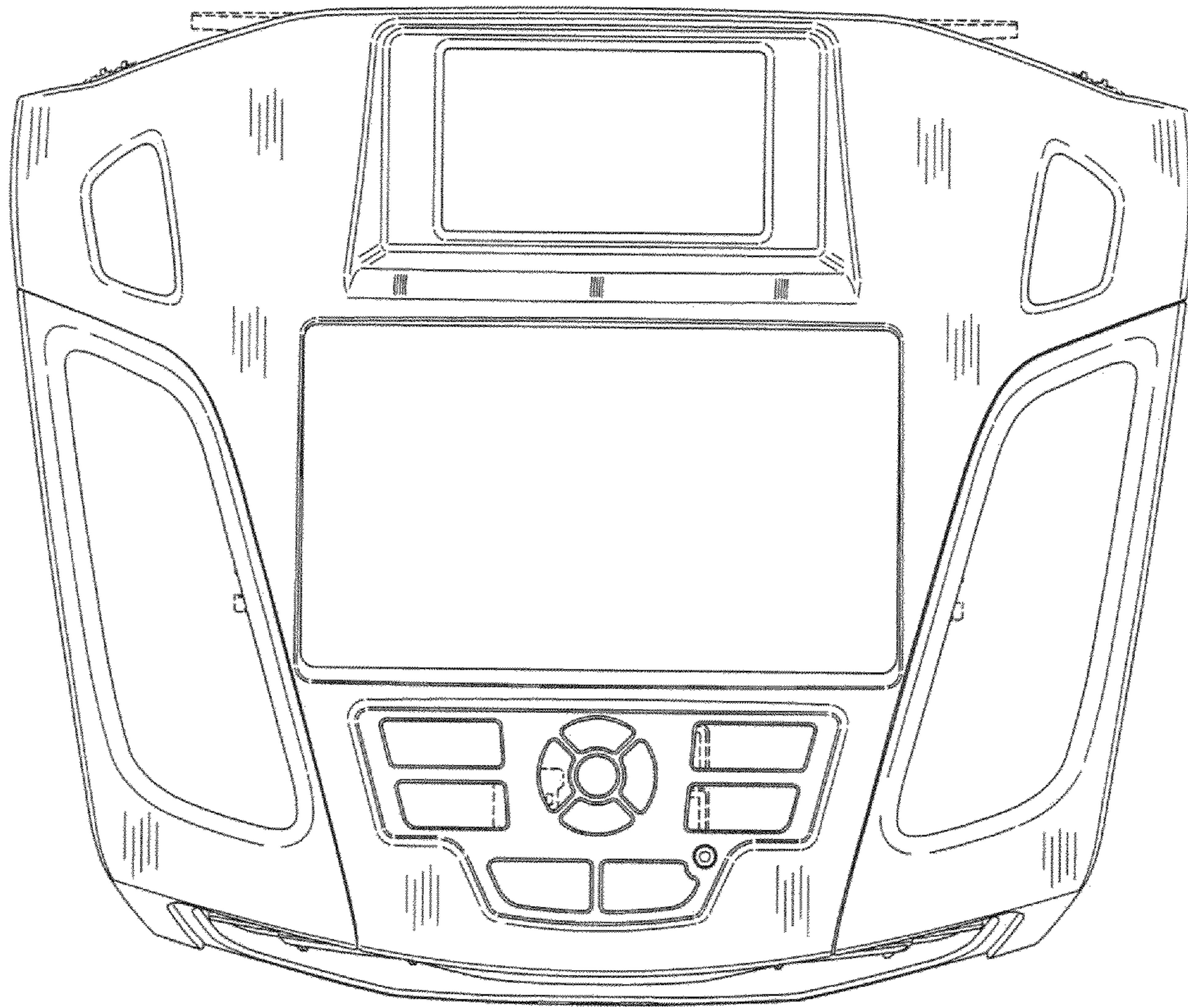


FIG. 2

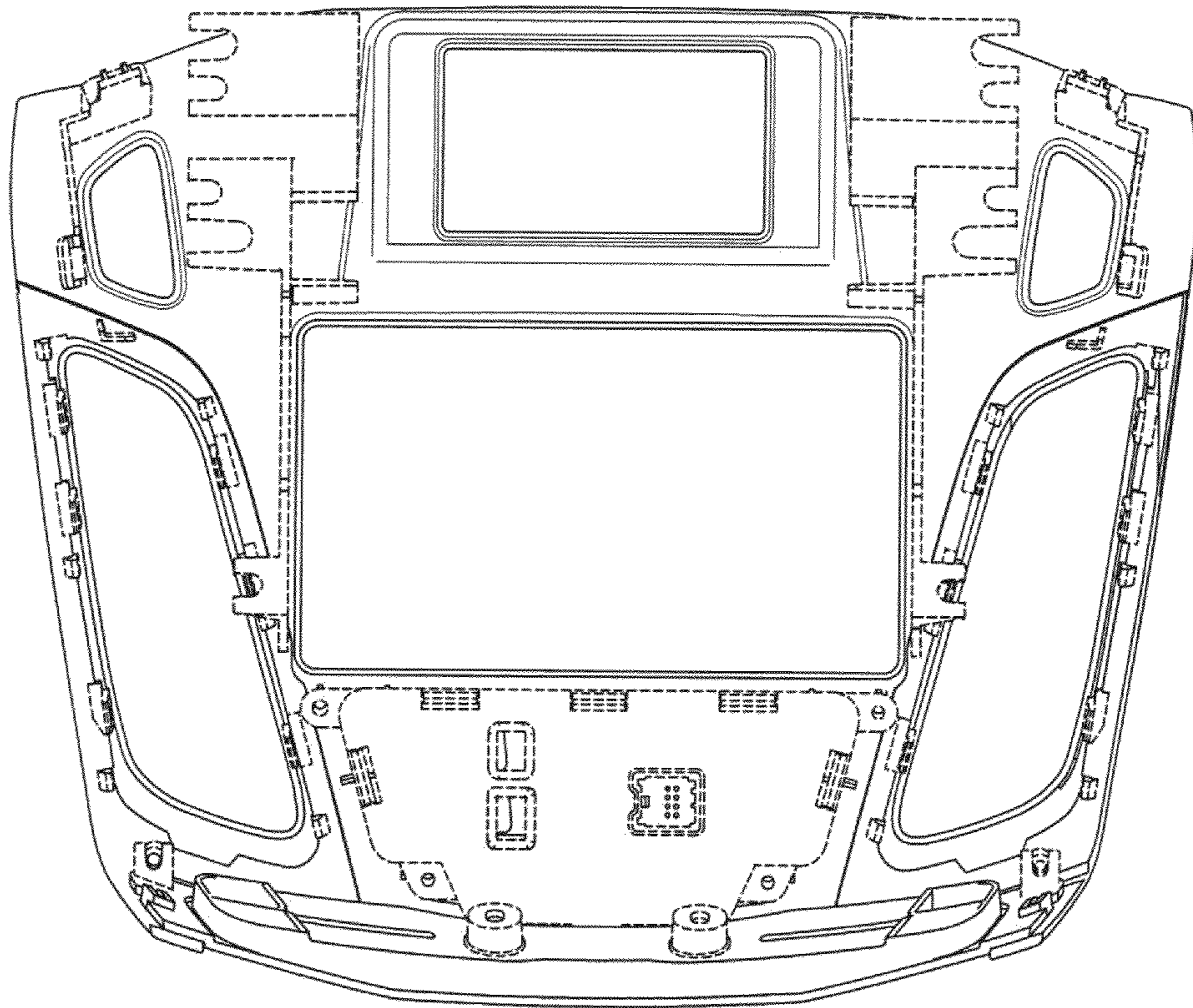


FIG. 3

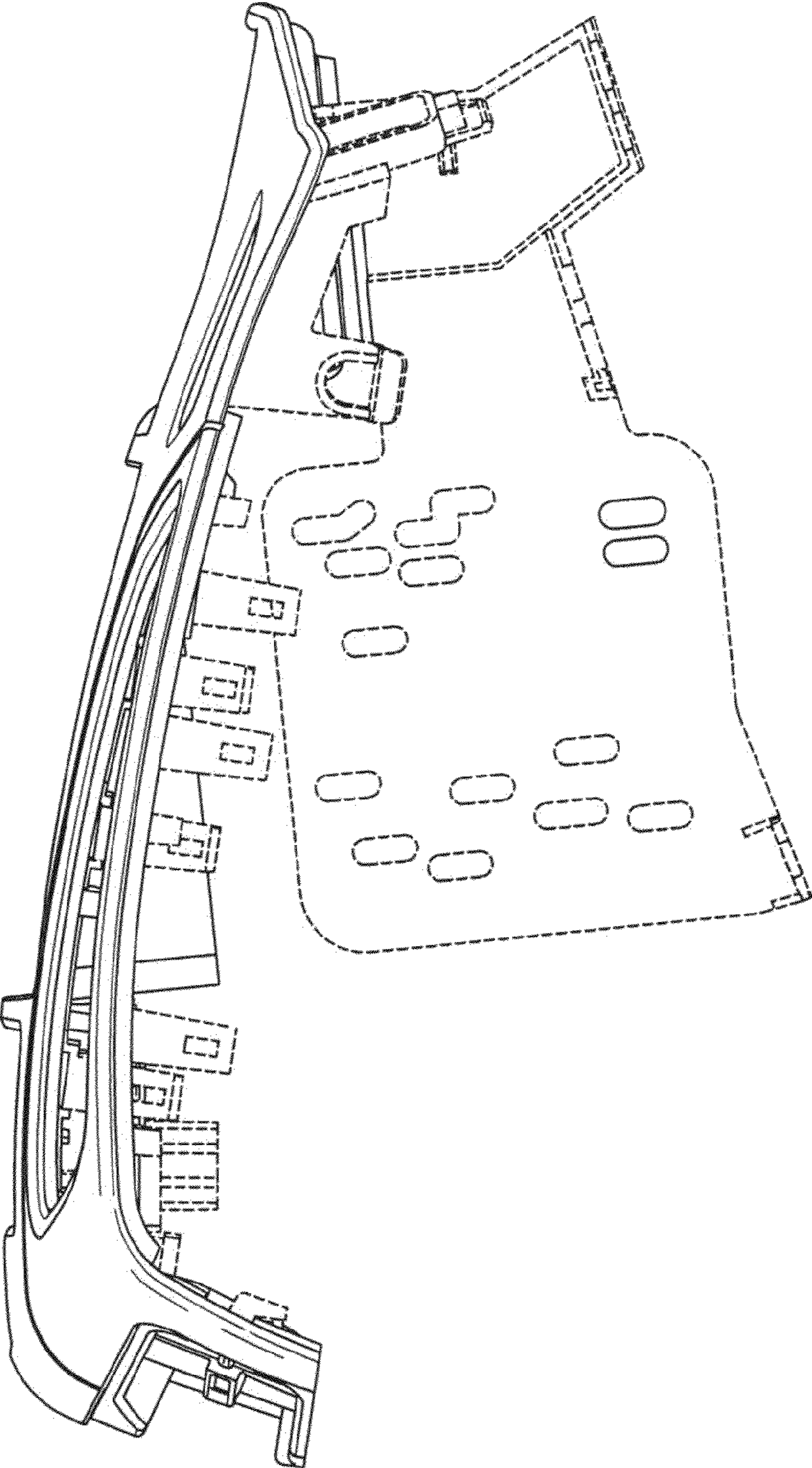


FIG. 4

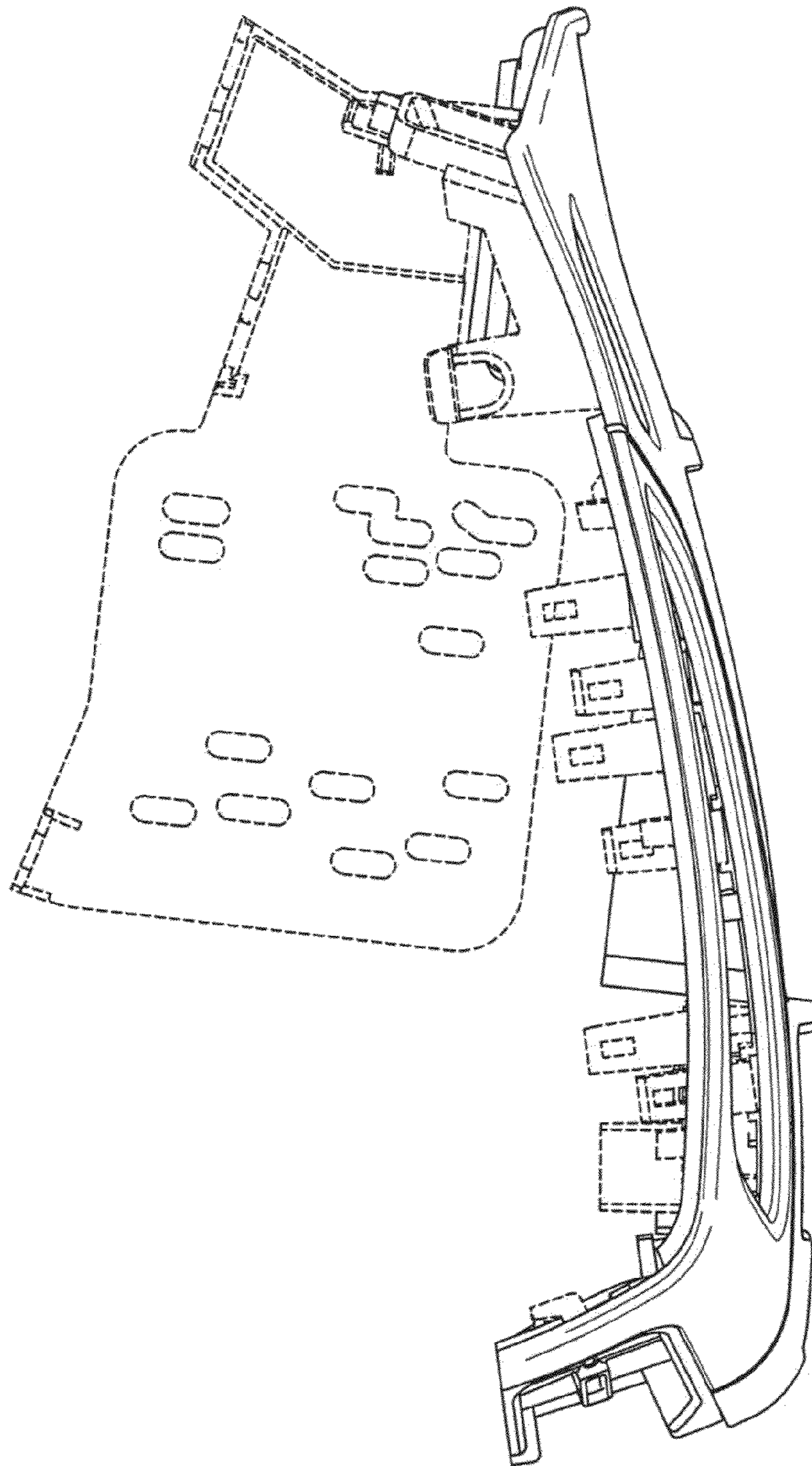


FIG. 5

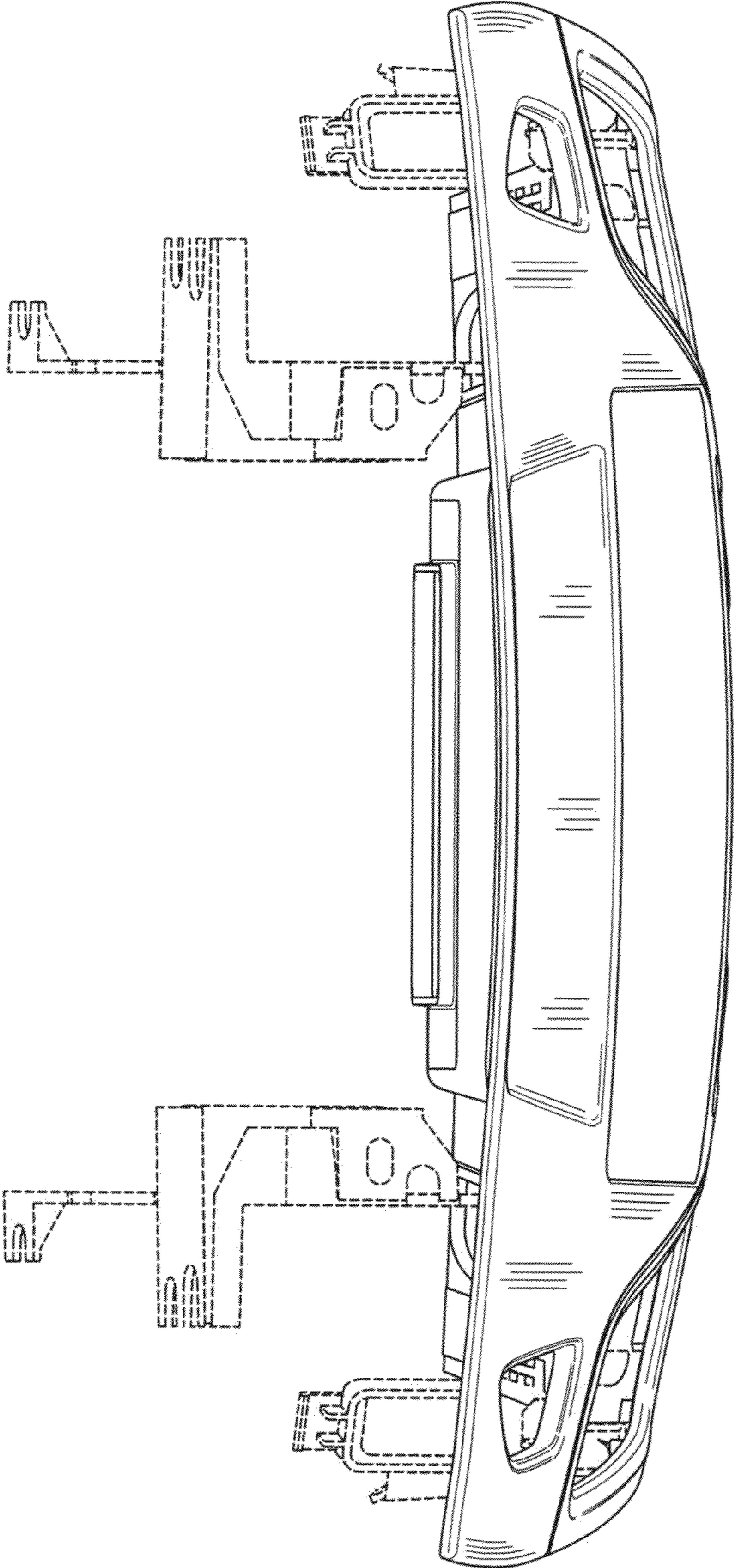


FIG. 6

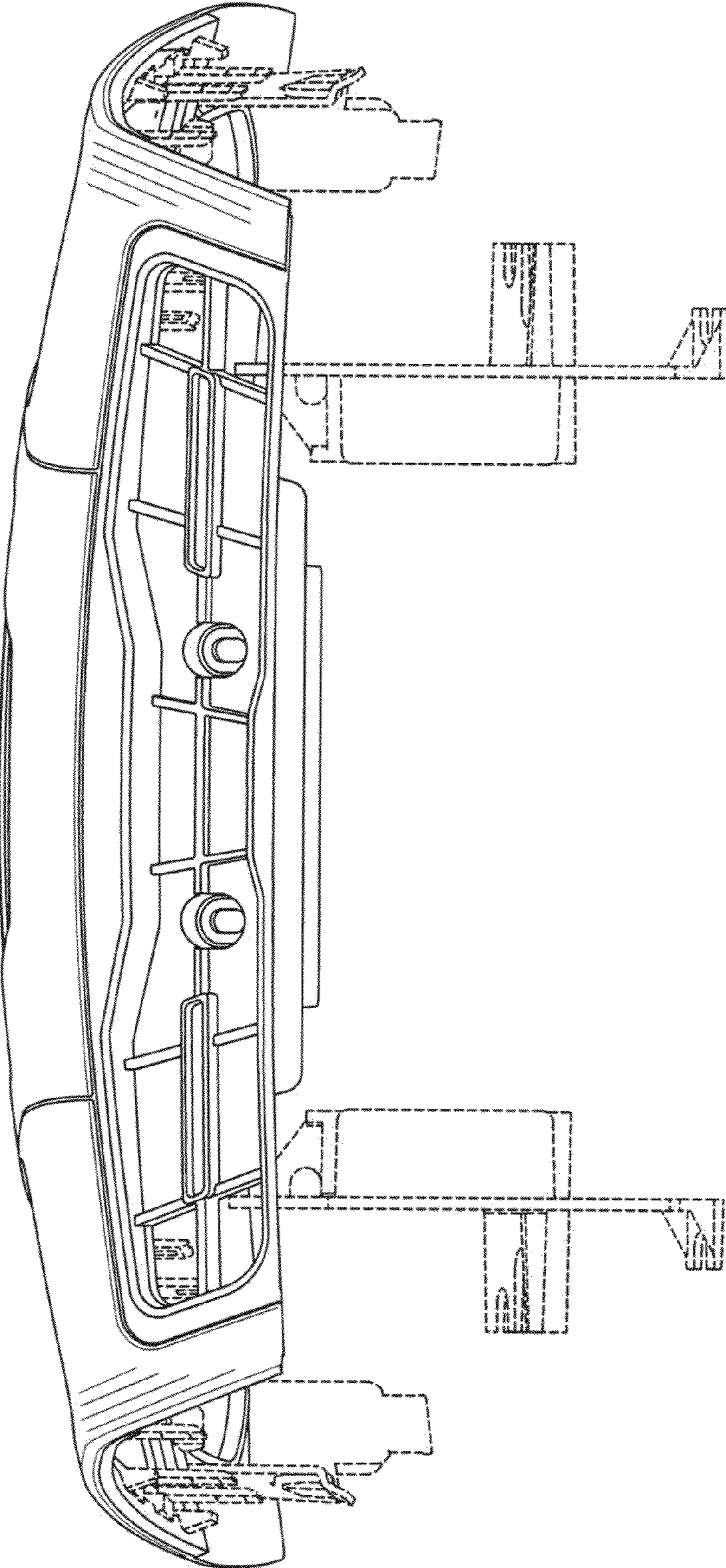


FIG. 7