



US00D755773S

(12) **United States Design Patent**
Kim et al.

(10) **Patent No.:** **US D755,773 S**
(45) **Date of Patent:** **** May 10, 2016**

(54) **CASE FOR A PORTABLE ELECTRONIC DEVICE**

(71) Applicant: **HTC Corporation**, Taoyuan County (TW)

(72) Inventors: **Catherine Sayim Kim**, San Francisco, CA (US); **Maxence Sylvain Marie Joseph Derreumaux**, San Francisco, CA (US)

(73) Assignee: **HTC Corporation**, Taoyuan (TW)

(**) Term: **14 Years**

(21) Appl. No.: **29/504,616**

(22) Filed: **Oct. 8, 2014**

(51) **LOC (10) Cl.** **14-03**

(52) **U.S. Cl.**
USPC **D14/250**

(58) **Field of Classification Search**
USPC D14/250, 251, 253, 240, 217, 496, 440, D14/203.3, 203.4, 203.5, 203.8, 341, 318; D3/218, 215, 201, 294, 289, 900; 220/4.02; 248/309.1; 361/679.56; 379/426, 433.11, 455; 455/575.1, 455/575.8; 190/100; 206/305, 320
CPC .. H04M 1/185; H04M 1/0252; H04B 1/3888; G06F 1/1601; G06F 1/1626; G06F 1/1633; G06F 1/1675; G06F 1/1679; G02F 1/1306; G02F 1/133; G02F 1/133308; G02F 1/153; G02F 1/1533; G02F 2001/133317
See application file for complete search history.

(56) **References Cited**

U.S. PATENT DOCUMENTS

D663,294 S * 7/2012 Buxton D14/250
D712,391 S * 9/2014 Kim D14/250
D715,789 S * 10/2014 Yoon D14/250
D720,736 S * 1/2015 Chen D14/250
D721,359 S * 1/2015 Kim D14/250

D721,689 S * 1/2015 Altschul D14/250
D730,913 S * 6/2015 Shao D14/440
2010/0059649 A1* 3/2010 Buxton F16M 13/00
248/371
2013/0264459 A1* 10/2013 McCosh G06F 1/1626
248/688
2014/0057685 A1* 2/2014 Shih H04M 1/0202
455/575.1

FOREIGN PATENT DOCUMENTS

TW D160839 6/2014
TW D163711 10/2014

OTHER PUBLICATIONS

“Office Action of Taiwan Counterpart Application” , issued on Jul. 22, 2015, p. 1-p. 3.
“Office Action of Taiwan Counterpart Application”, issued on Jun. 16, 2015, p. 1-p. 3.

* cited by examiner

Primary Examiner — Cynthia M Chin

(74) *Attorney, Agent, or Firm* — Jianq Chyun IP Office

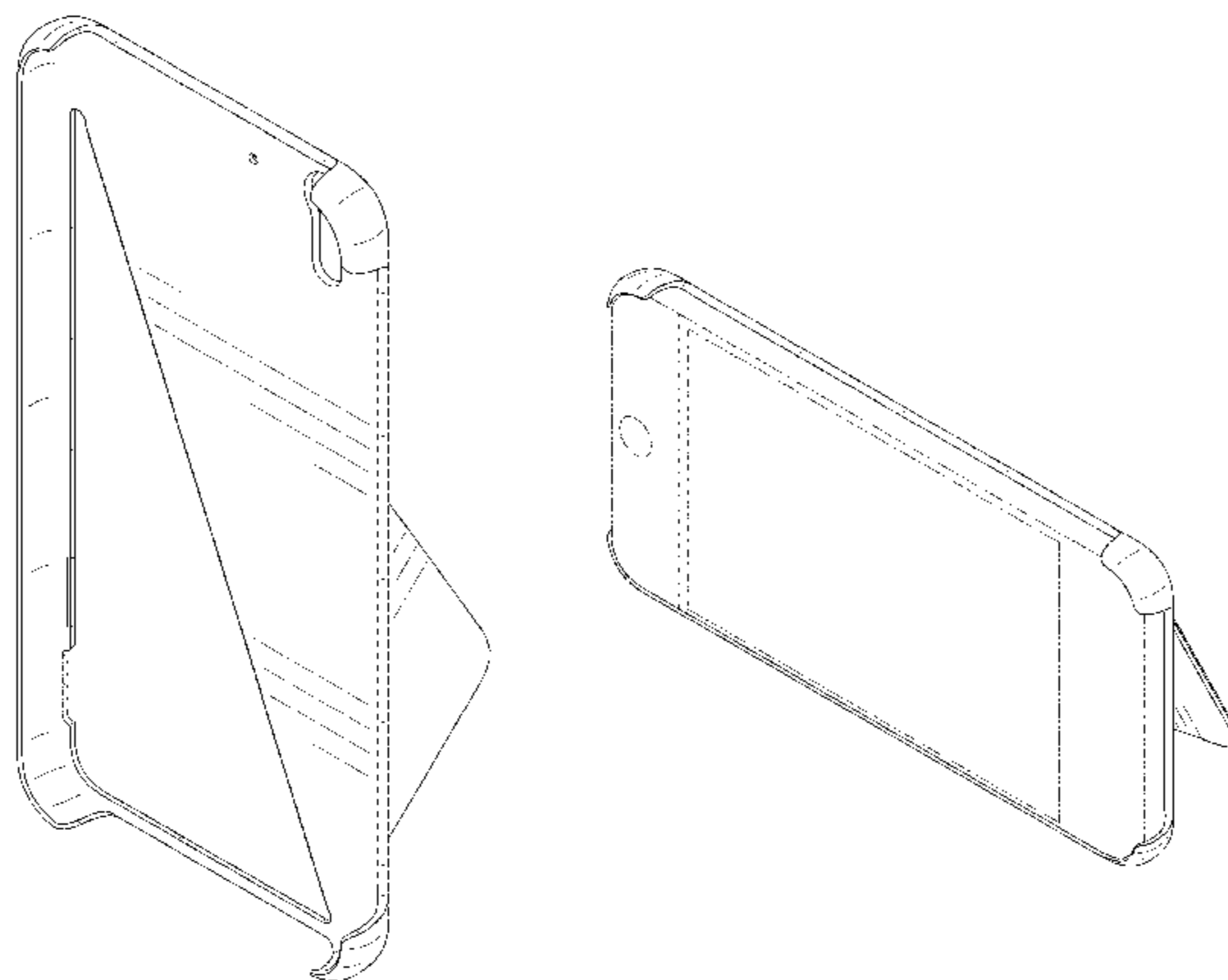
(57) **CLAIM**

The ornamental design for a case for a portable electronic device, as shown and described.

DESCRIPTION

FIG. 1 is a perspective view of a case for a portable electronic device showing my new design;
FIG. 2 is a front view thereof;
FIG. 3 is a rear view thereof;
FIG. 4 is a left view thereof;
FIG. 5 is a right view thereof;
FIG. 6 is a top view thereof;
FIG. 7 is a bottom view thereof;
FIG. 8 is a perspective view thereof with the stand closed;
FIG. 9 is a perspective view thereof in a portrait position with a portable electronic device attached; and,
FIG. 10 is a perspective view thereof in a landscape position with a portable electronic device attached.
The dot-dashed lines showing the portable electronic device in FIGS. 9 and 10 illustrate unclaimed environment and form no part of the claimed design.

1 Claim, 9 Drawing Sheets



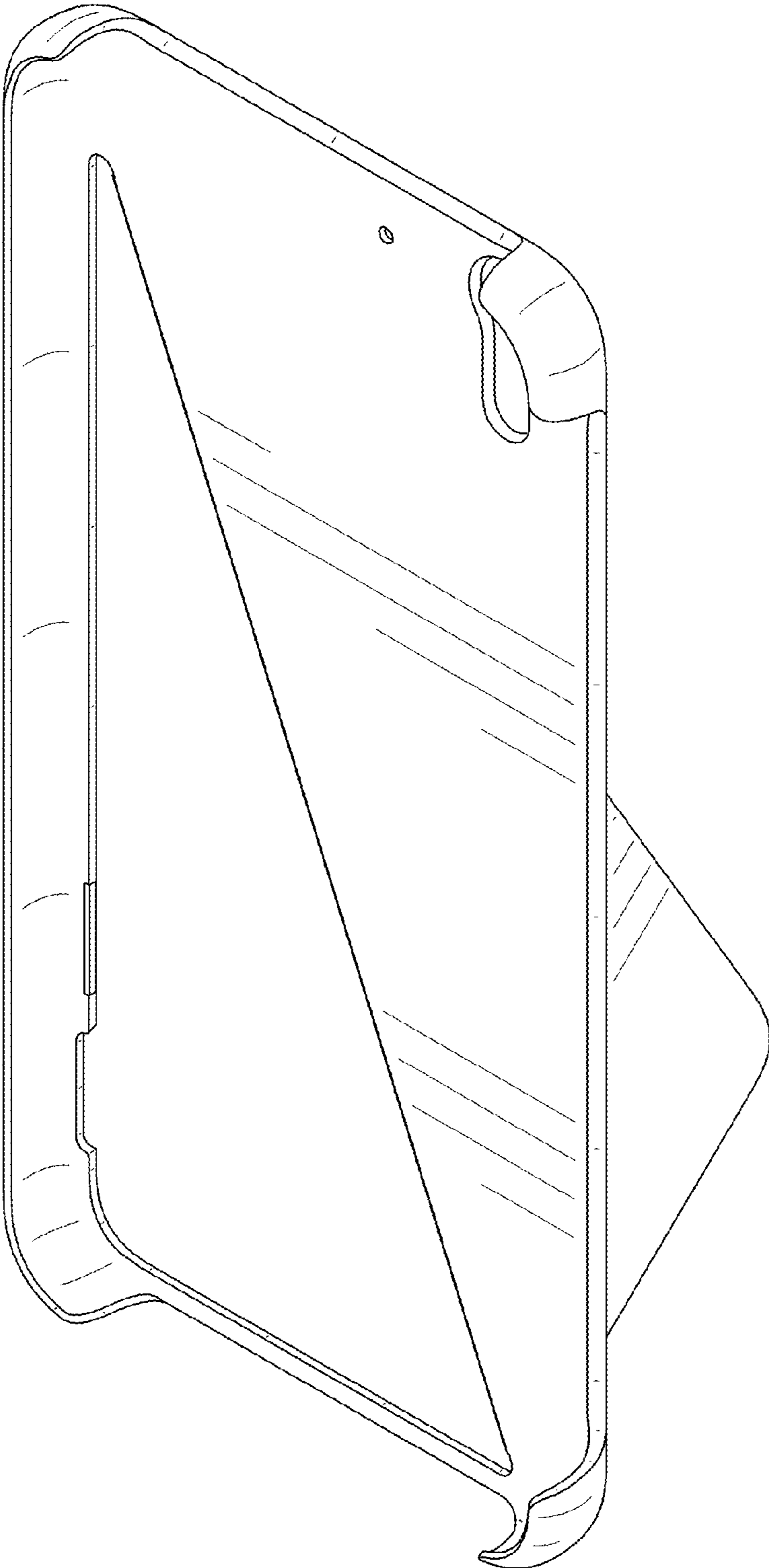


FIG. 1

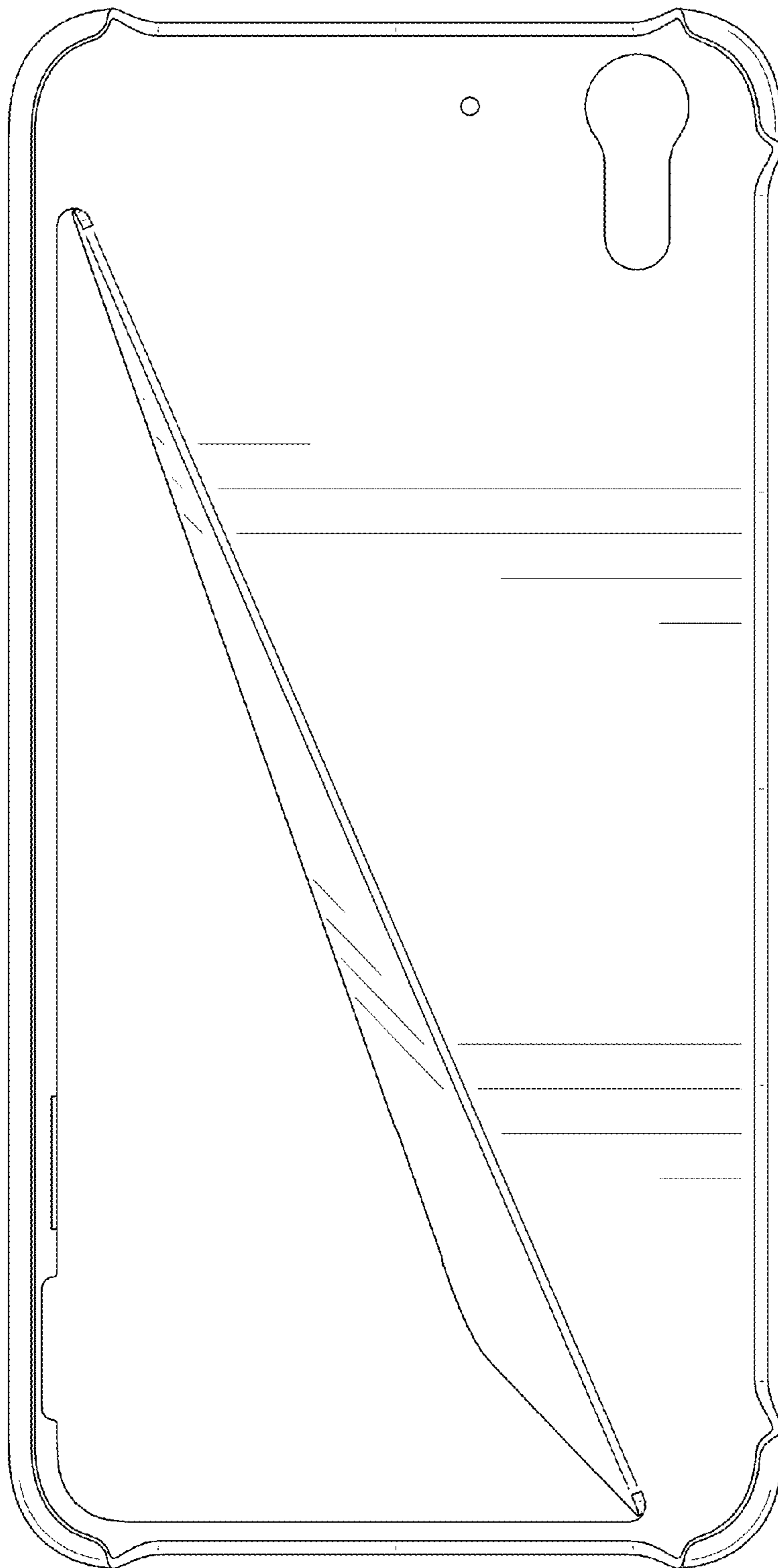


FIG. 2

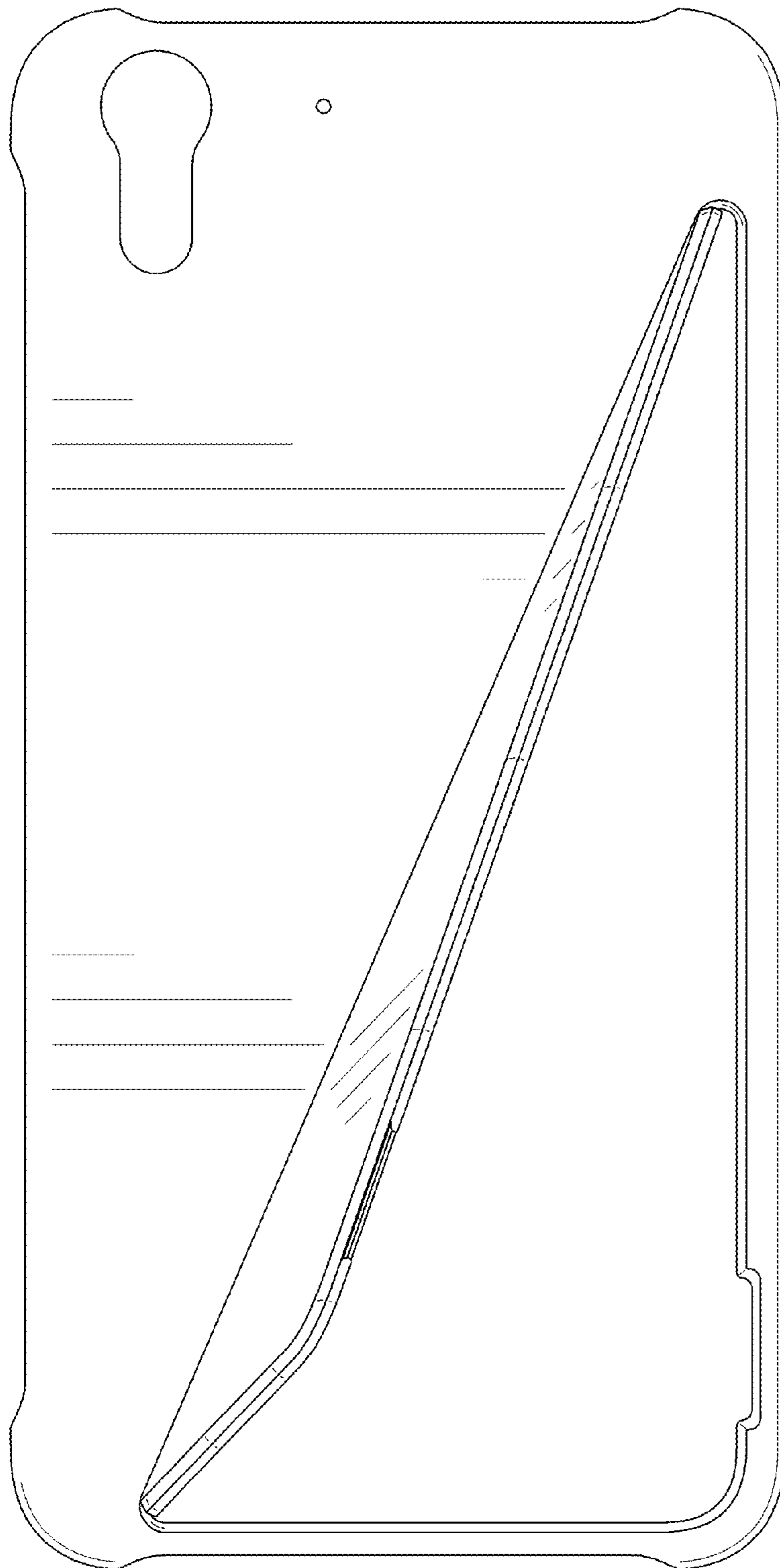


FIG. 3

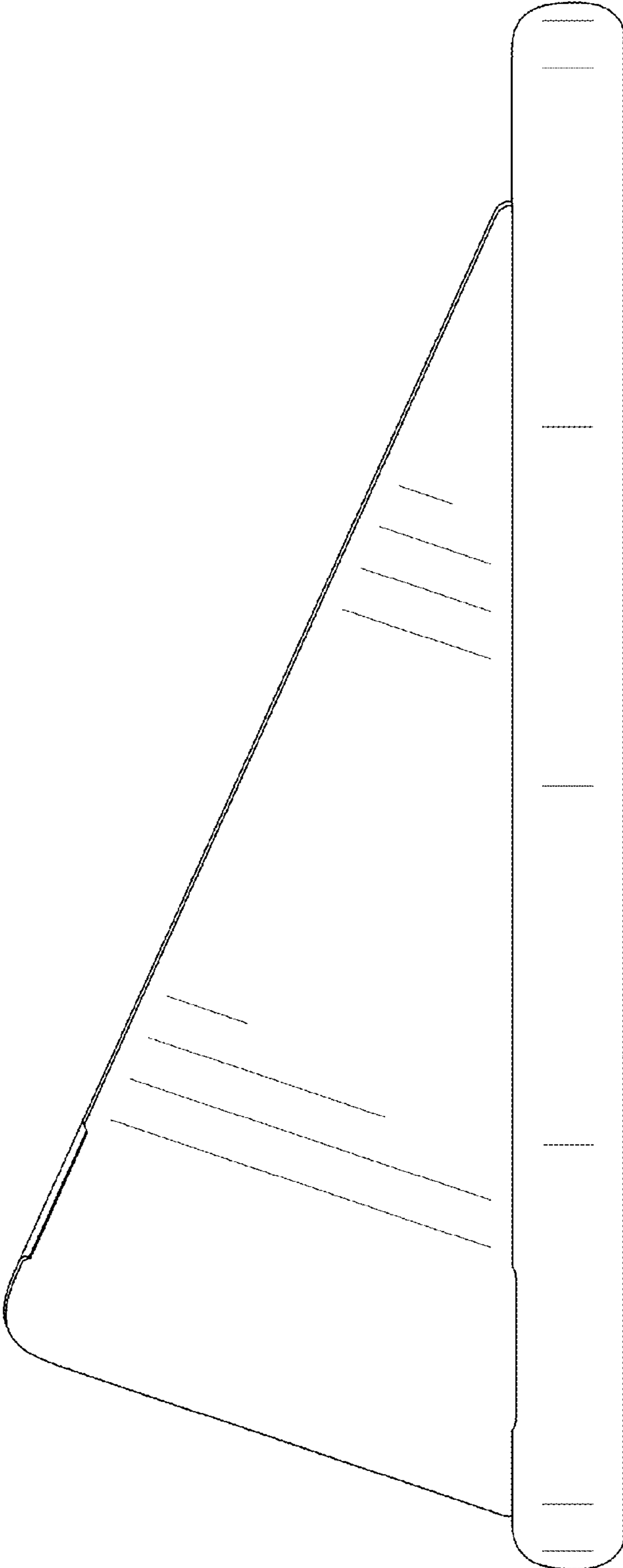


FIG. 4

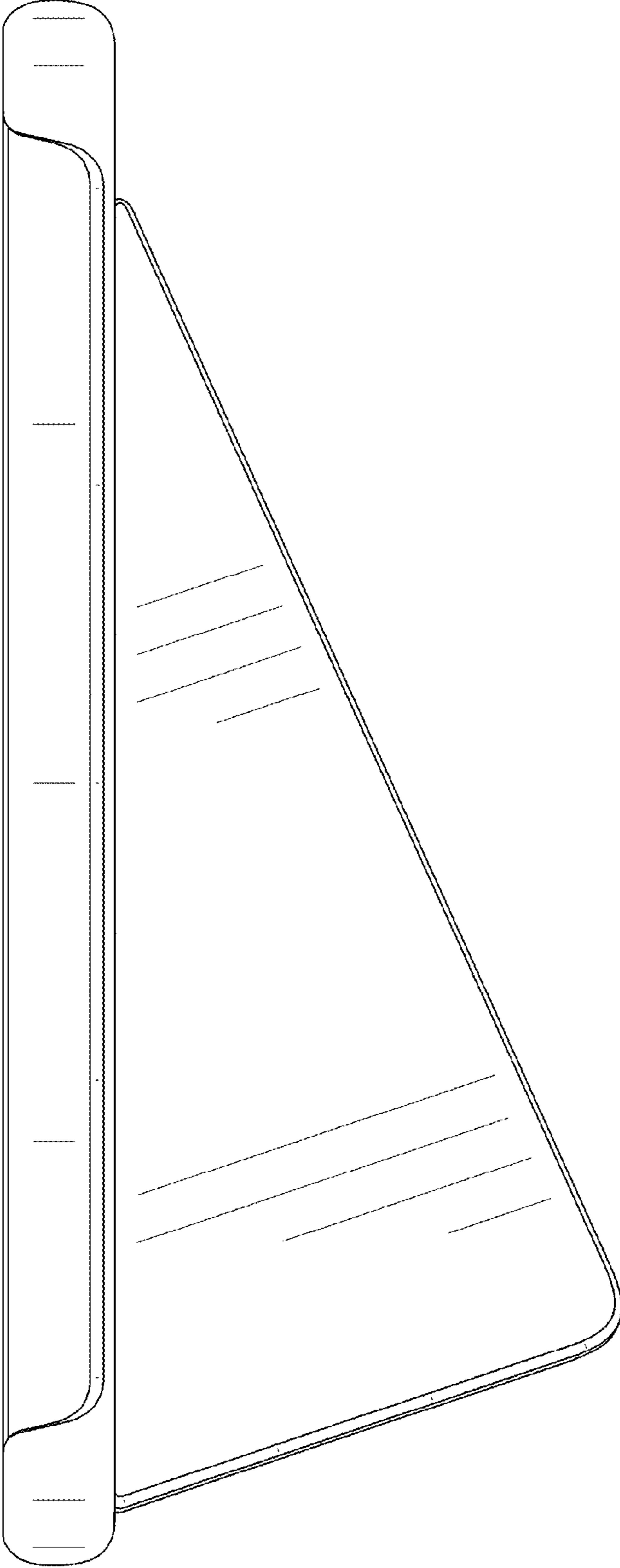


FIG. 5

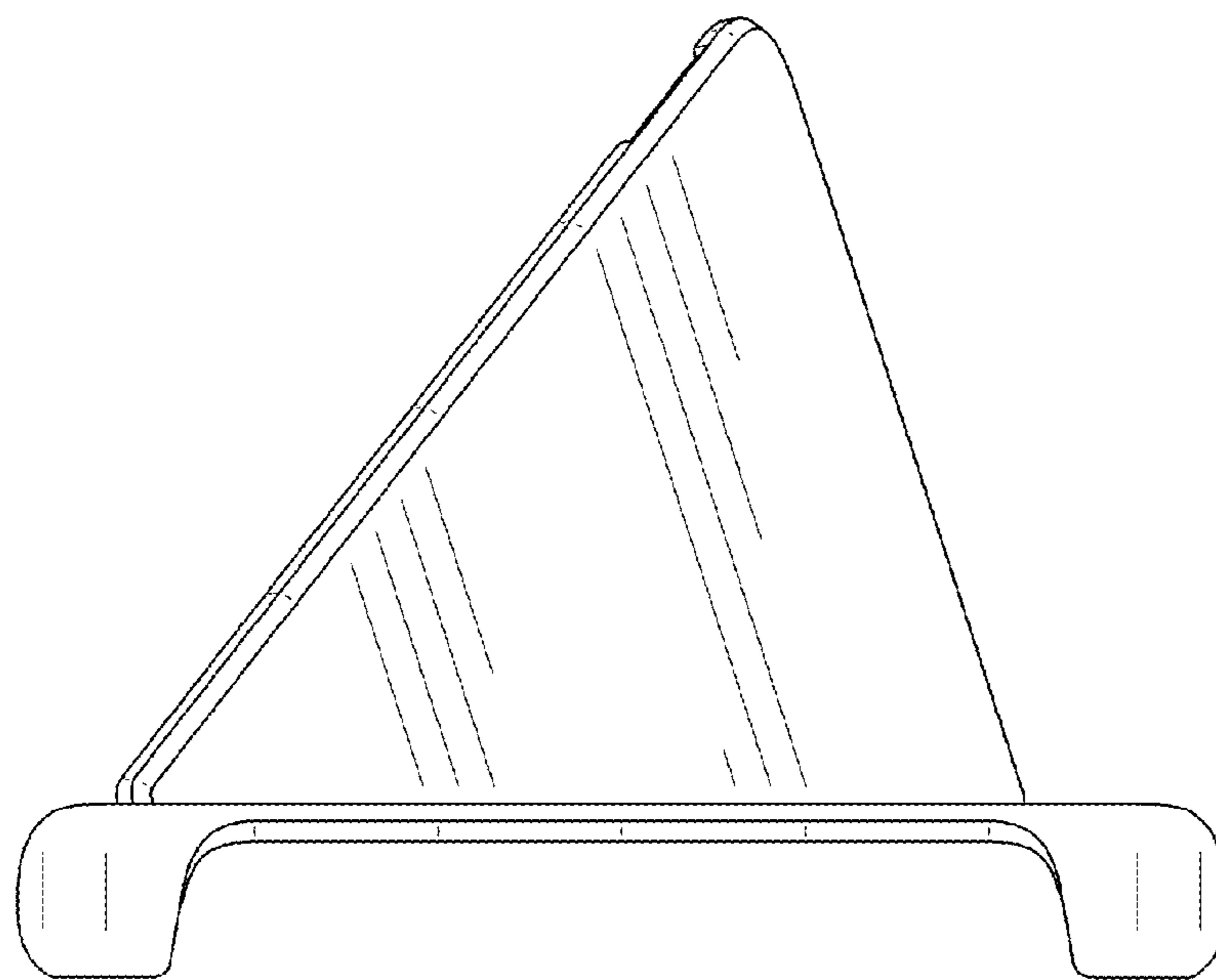


FIG. 6

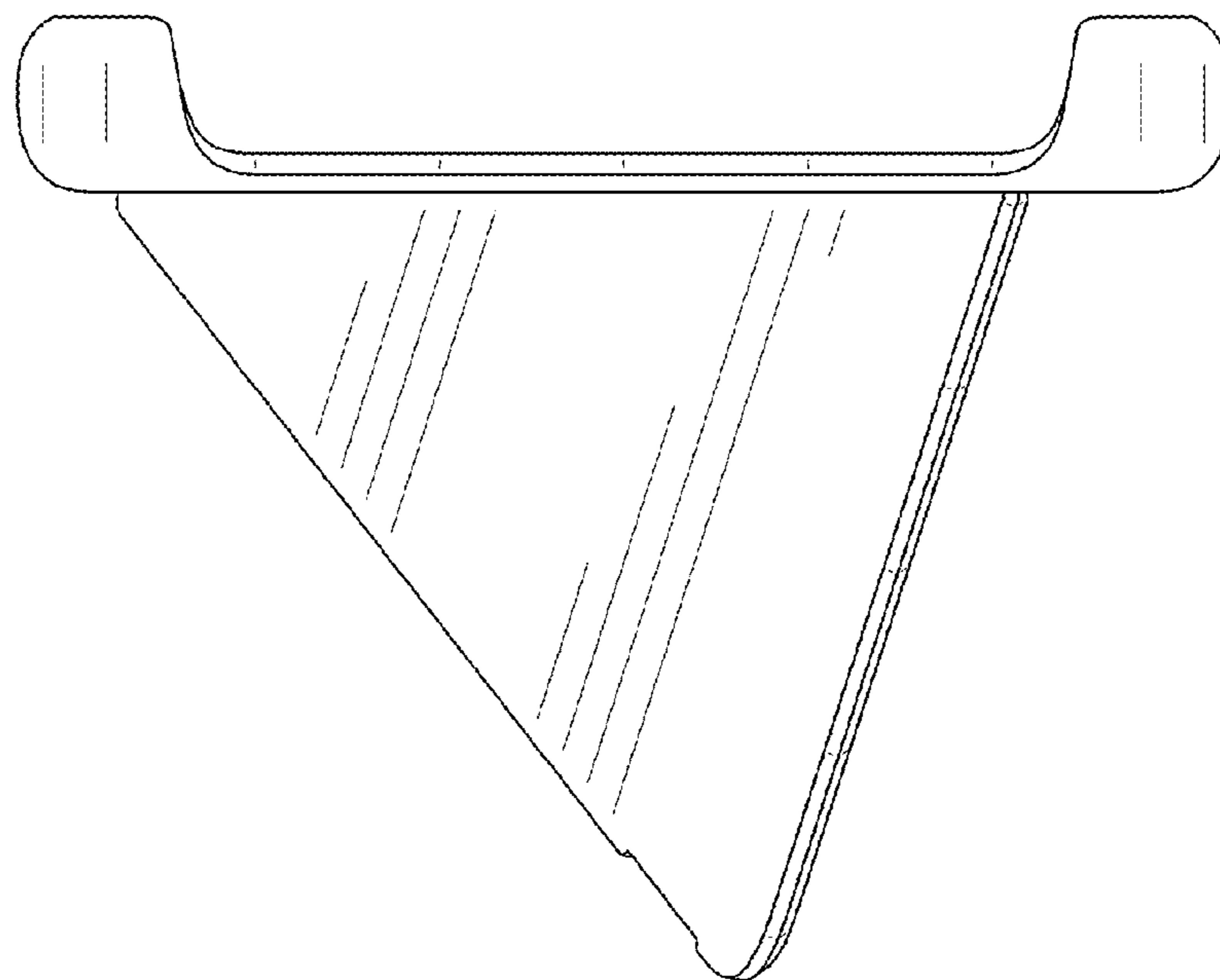


FIG. 7

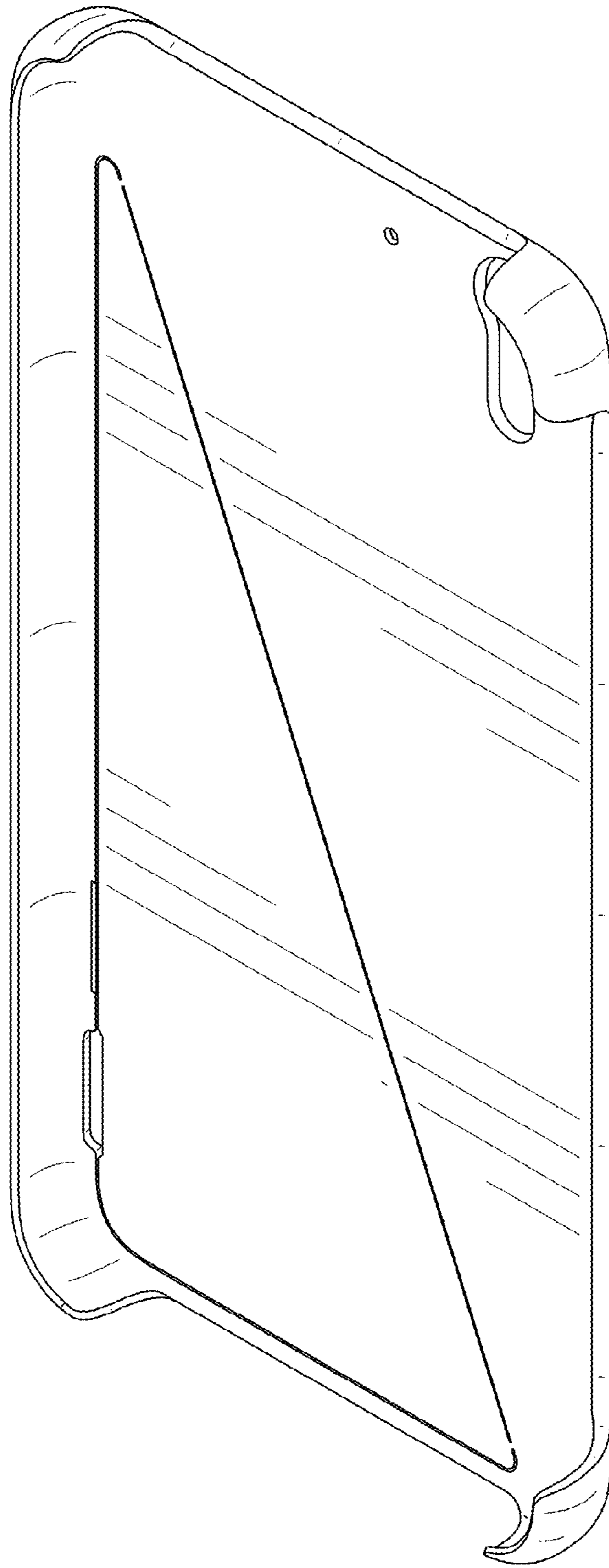


FIG. 8

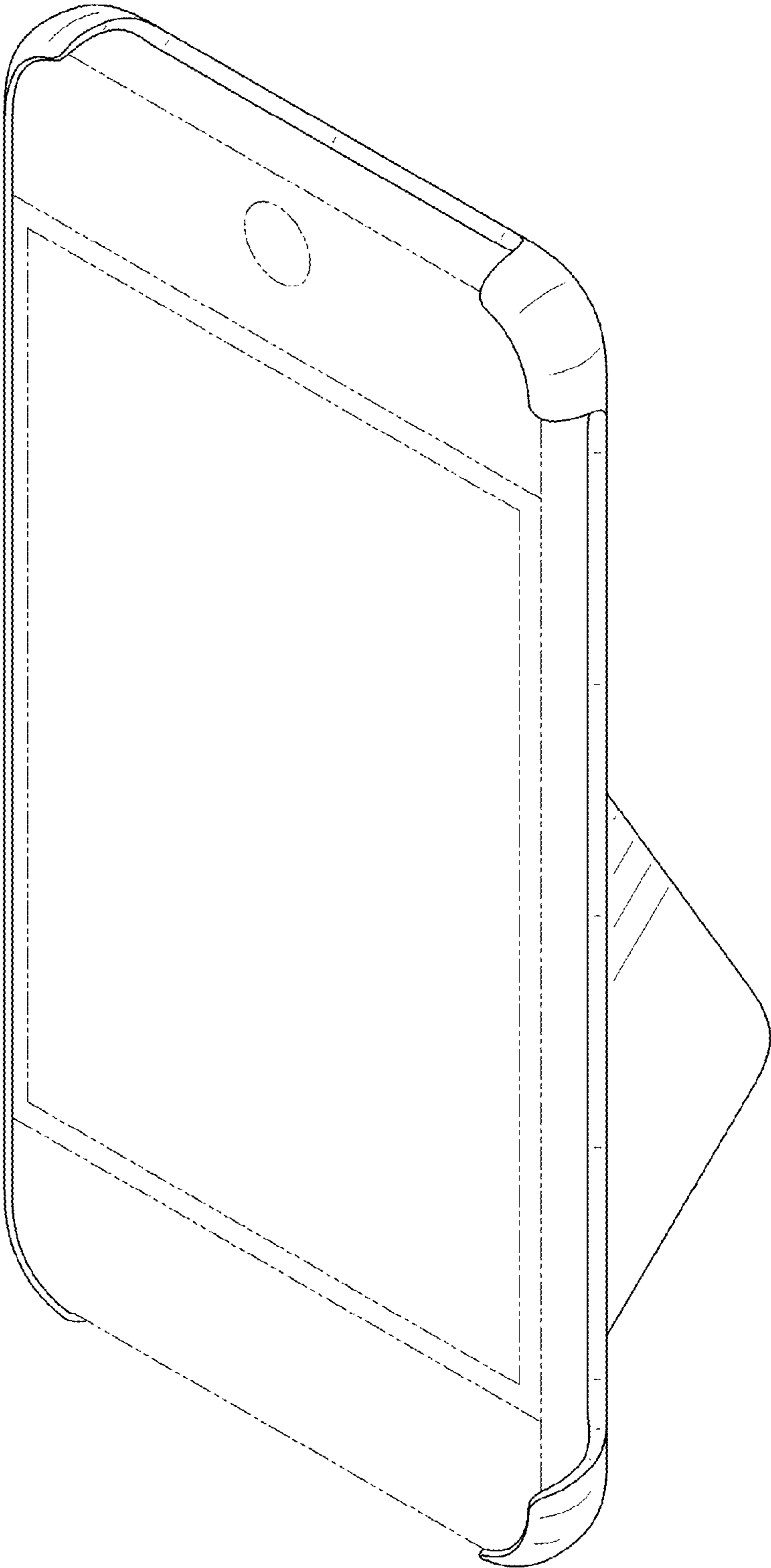


FIG. 9

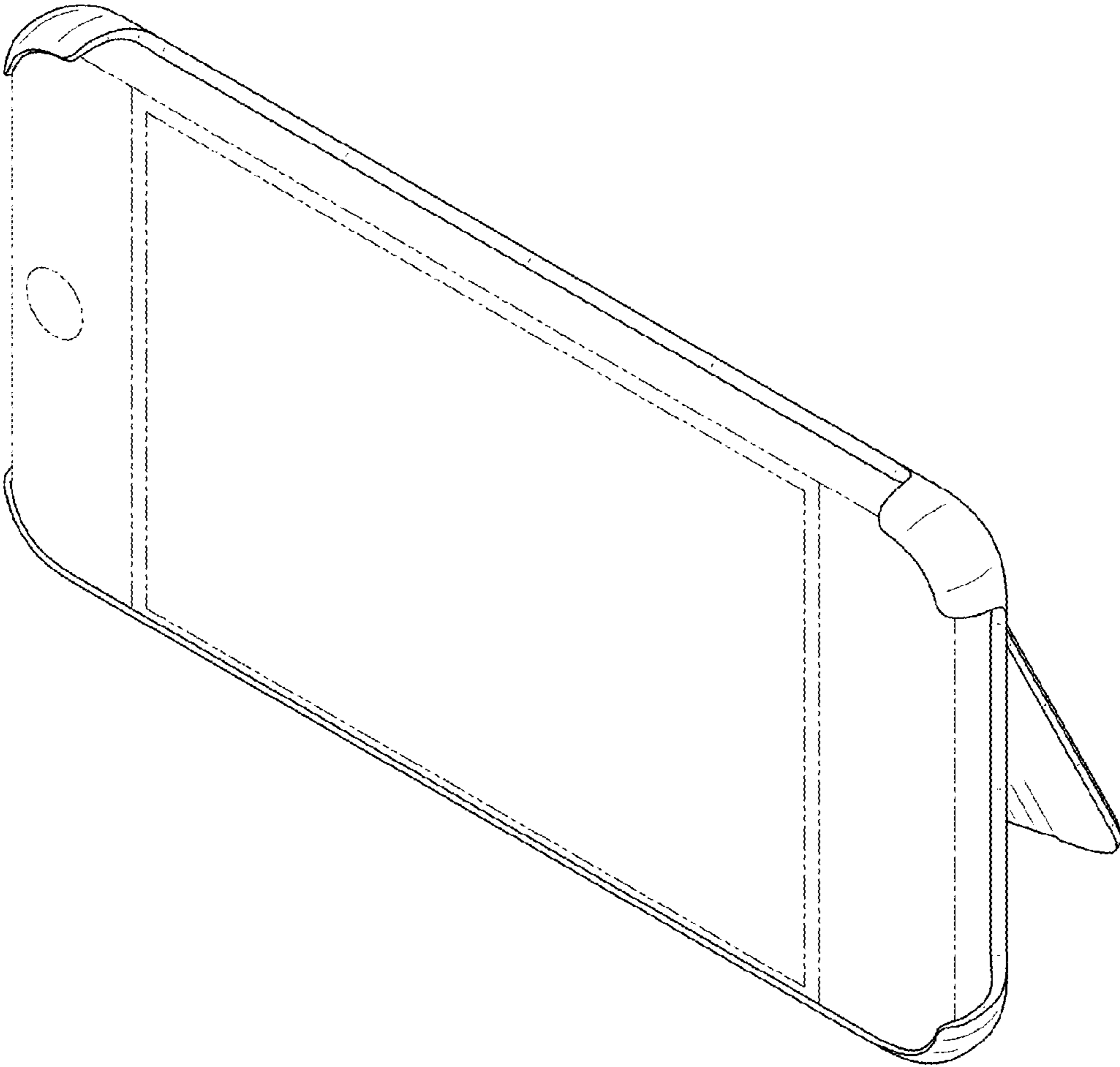


FIG. 10