



US00D755761S

(12) **United States Design Patent**
Reynolds et al.

(10) **Patent No.:** **US D755,761 S**
(45) **Date of Patent:** **** May 10, 2016**

- (54) **ELECTRONIC HOUSING WITH ILLUMINATED REGION**
- (71) Applicant: **Comcast Cable Communications, LLC**, Philadelphia, PA (US)
- (72) Inventors: **Steven Reynolds**, Littleton, CO (US); **Edward R. Grauch**, Philadelphia, PA (US); **Christopher Stone**, Newtown, PA (US)
- (73) Assignee: **Comcast Cable Communications, LLC**, Philadelphia, PA (US)
- (**) Term: **14 Years**
- (21) Appl. No.: **29/499,225**
- (22) Filed: **Aug. 13, 2014**
- (51) **LOC (10) Cl.** **14-03**
- (52) **U.S. Cl.**
USPC **D14/242**
- (58) **Field of Classification Search**
USPC D14/240, 242, 357, 358, 125, D14/140-140.9, 155, 137, 139, 243, 239, D14/433
CPC H04L 12/00; H03K 17/00; H04W 88/00; H04W 88/005; H04W 88/02; H04W 88/08; H04W 88/085; H04W 88/10; H04W 88/12; H04W 88/14; H04B 1/38
See application file for complete search history.

D354,500	S	*	1/1995	Georgopoulos	D14/242
D357,684	S	*	4/1995	Moreland	D14/240
D408,812	S	*	4/1999	Danis	D14/137
D471,541	S	*	3/2003	Tomino et al.	D14/240
D538,803	S	*	3/2007	Chen et al.	D14/348
D565,571	S	*	4/2008	Trifilio et al.	D14/434
D609,704	S	*	2/2010	Sin et al.	D14/363
D670,681	S	*	11/2012	Chang et al.	D14/242
D711,821	S	*	8/2014	Wang	D13/108
2013/0278706	A1	*	10/2013	Connelly et al.	348/14.01

* cited by examiner

Primary Examiner — Bridget L Eland
(74) *Attorney, Agent, or Firm* — Banner & Witcoff, Ltd.

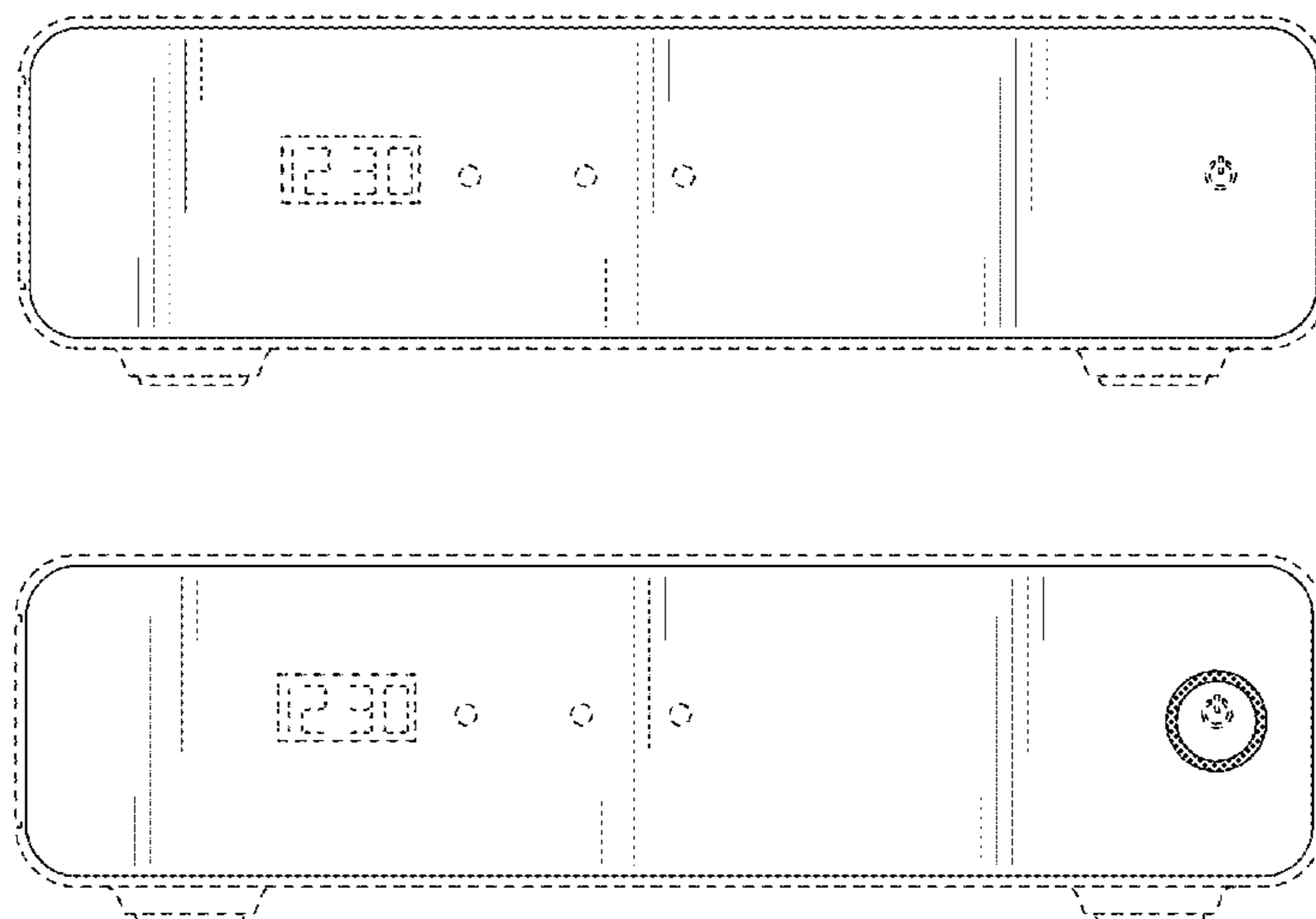
(57) **CLAIM**
The ornamental design for an electronic housing with illuminated region, as shown and described.

DESCRIPTION

FIG. 1 is a front perspective view of an electronic housing with illuminated region in a non-illuminated state showing our new design;
 FIG. 2 is a front view thereof;
 FIG. 3 is a front perspective view of an electronic housing of FIGS. 1-2 showing the illuminated region in an illuminated state;
 FIG. 4 is a front view thereof;
 FIG. 5 is a front perspective view of an electronic housing of FIGS. 1-2 showing the illuminated region in an illuminated state in grayscale; and,
 FIG. 6 is a front view thereof.
 The broken line showing of various features of the electronic housing are for environmental purposes only and form no part of the claimed design. The radiating lines emanating from the circular element in FIGS. 3-4, and the circular element shown in grayscale in FIGS. 5-6 represent illumination.

1 Claim, 6 Drawing Sheets

- (56) **References Cited**
U.S. PATENT DOCUMENTS
4,648,525 A * 3/1987 Henderson 220/739
D303,252 S * 9/1989 Shih D14/242
D311,740 S * 10/1990 Wagner D14/358



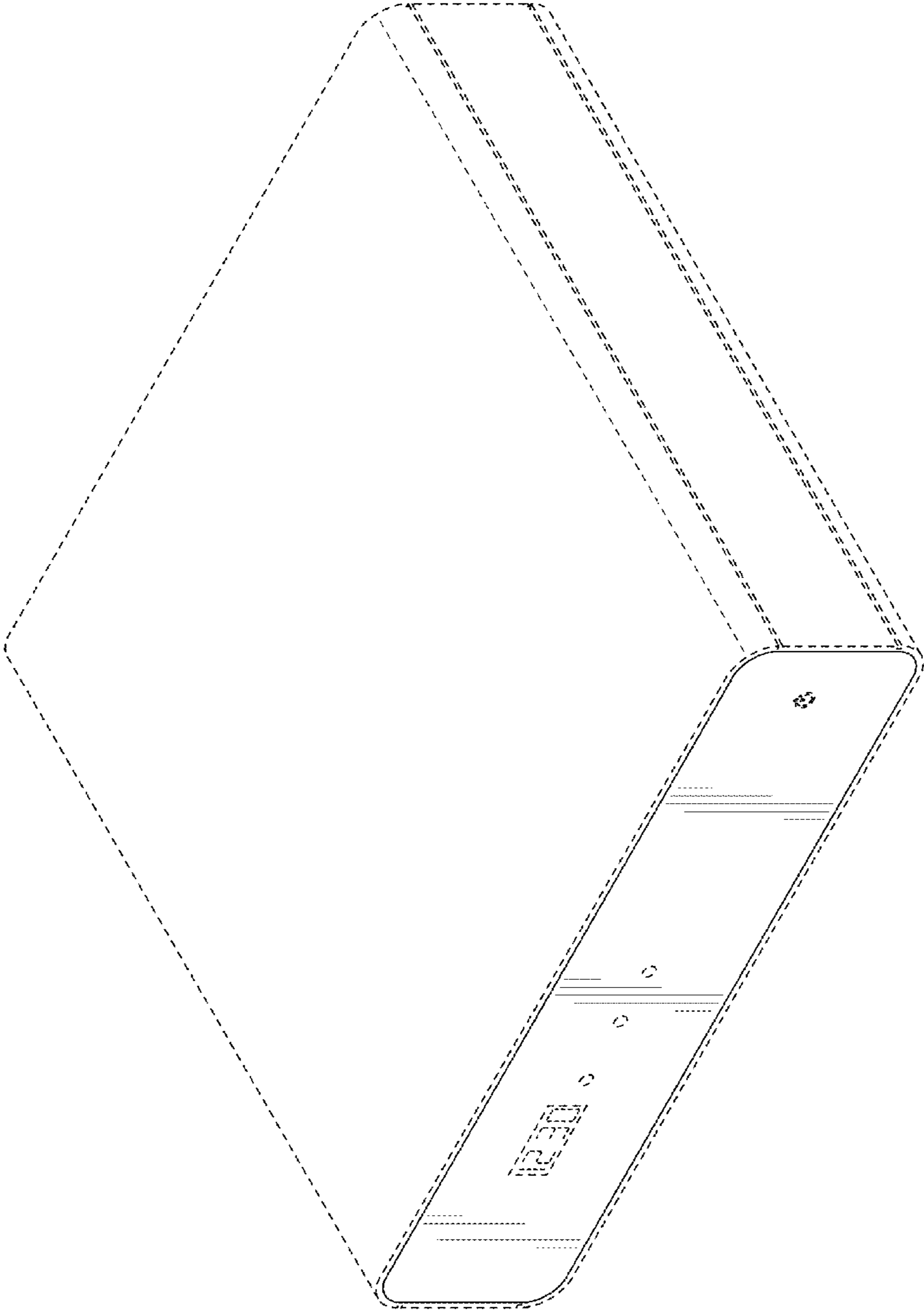


FIG. 1

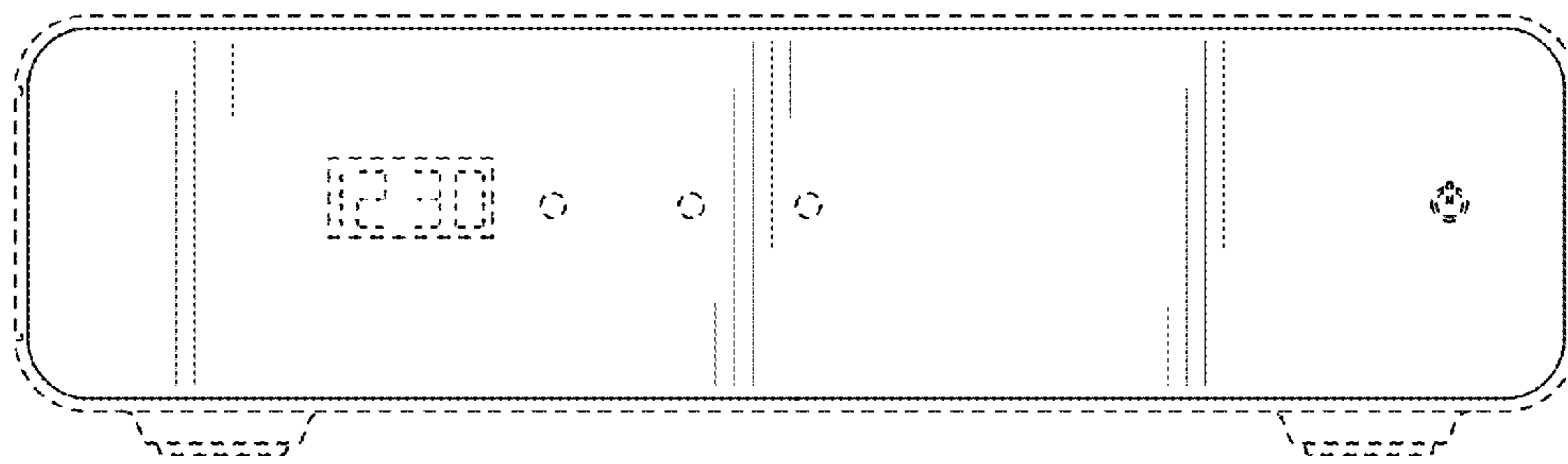


FIG. 2

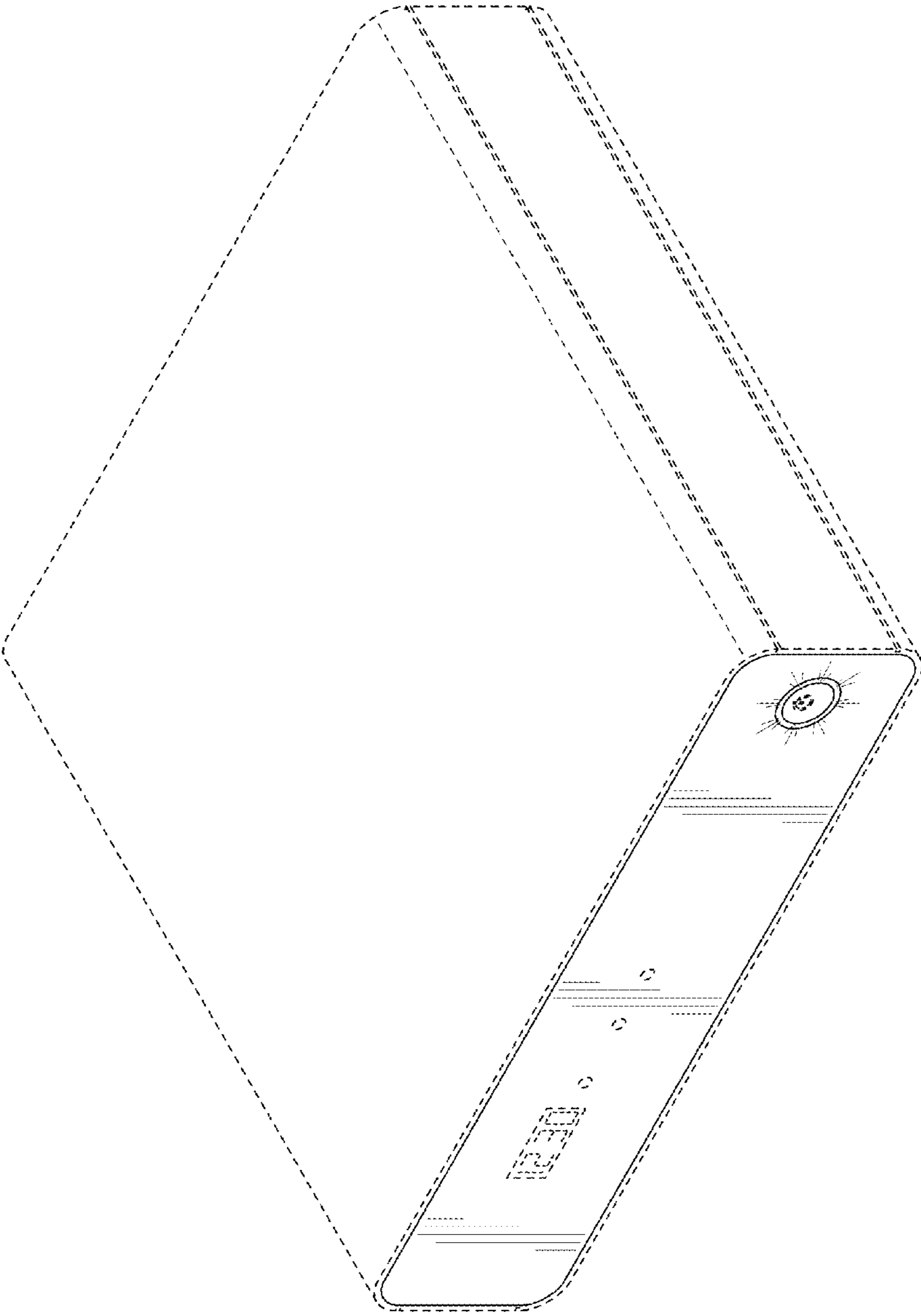


FIG. 3

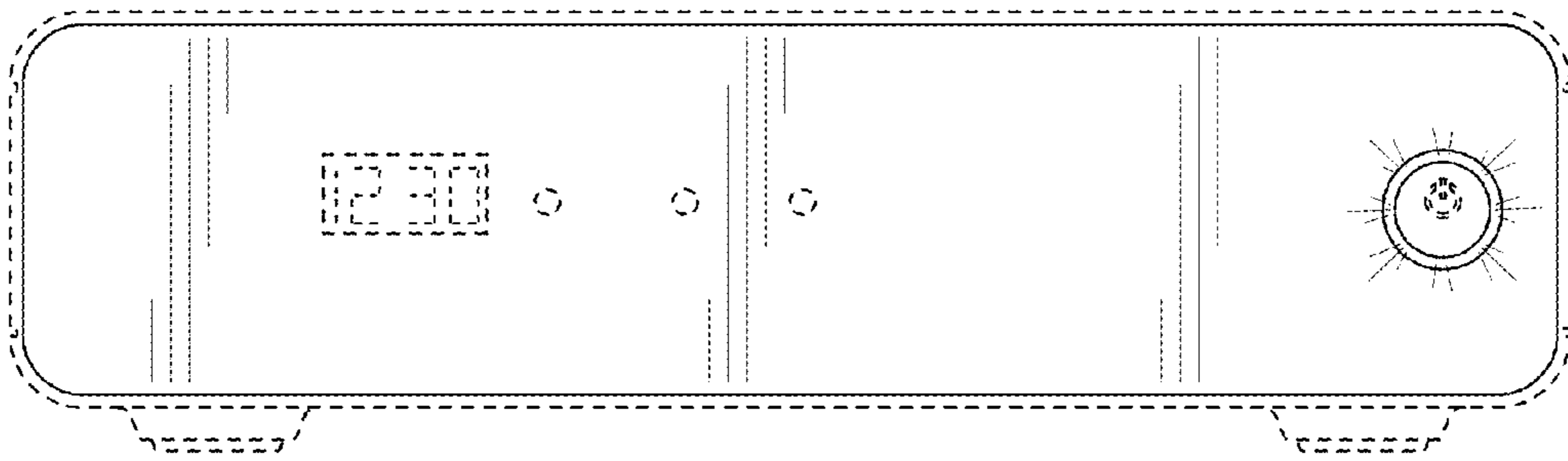


FIG. 4

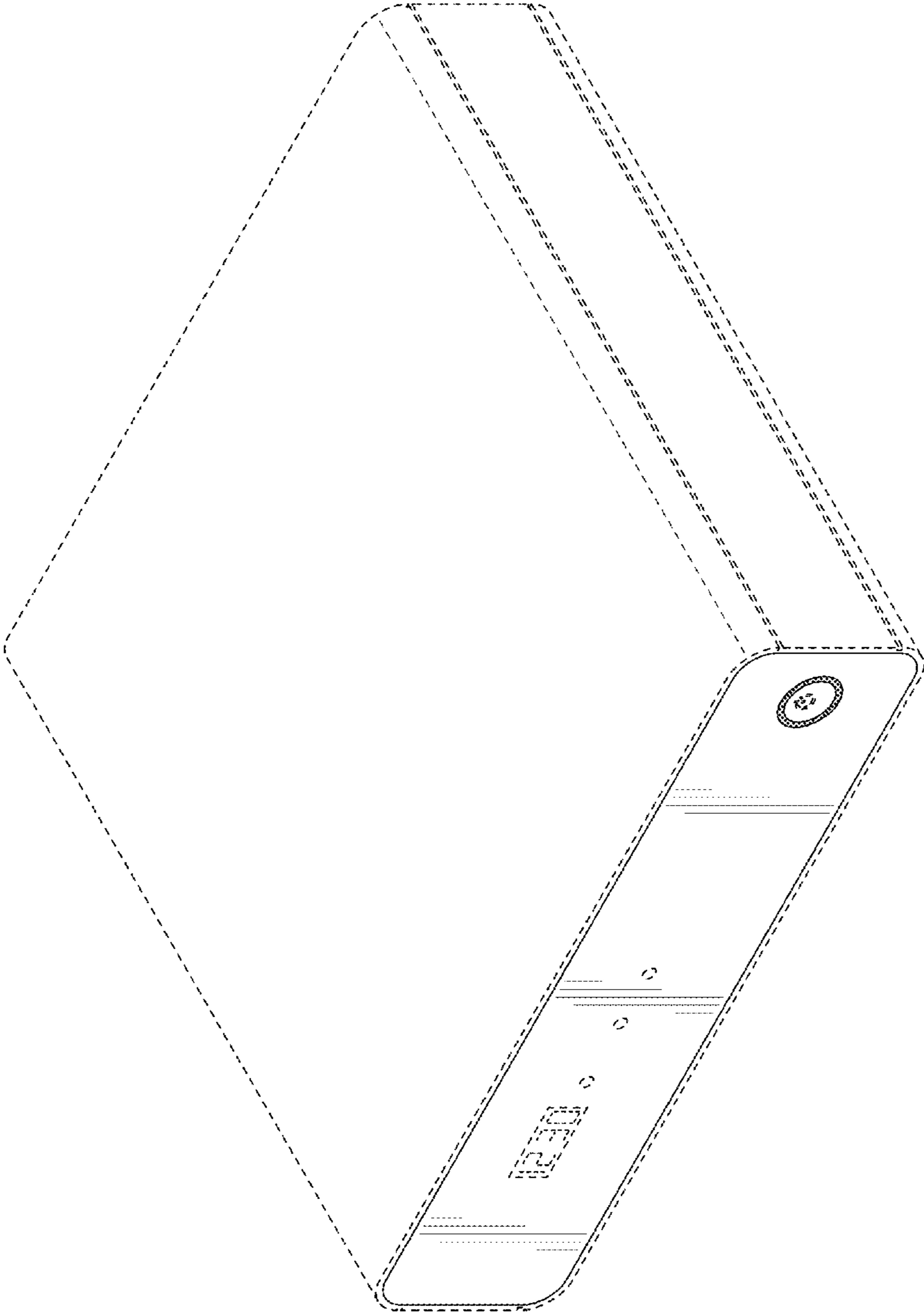


FIG. 5

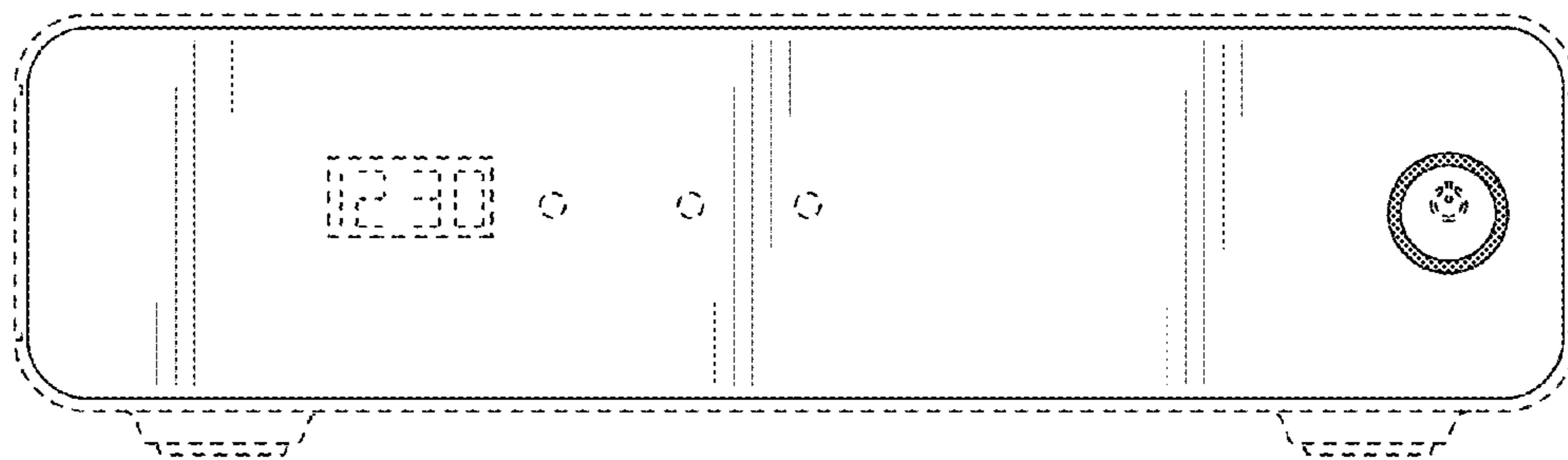


FIG. 6