



US00D755757S

(12) **United States Design Patent**
Brunner et al.

(10) **Patent No.:** **US D755,757 S**
(45) **Date of Patent:** **** May 10, 2016**

(54) **AUDIO SPEAKER SYSTEM**

H04R 2499/11; H04R 2499/13; H04R 2499/15; H04S 3/00; H04S 7/30

(71) Applicant: **Apple Inc.**, Cupertino, CA (US)

See application file for complete search history.

(72) Inventors: **Robert Brunner**, San Francisco, CA (US); **Eric Fields**, San Francisco, CA (US); **Martin Ruegg**, San Francisco, CA (US); **Sang Ik Lee**, Walnut Creek, CA (US)

(56) **References Cited**

U.S. PATENT DOCUMENTS

4,388,492 A	6/1983	Sato
D352,715 S	11/1994	Tsing
5,546,468 A	8/1996	Beard
D382,563 S	8/1997	Shiono
D471,534 S	3/2003	Suzuki et al.
7,095,867 B2	8/2006	Schul et al.
D553,121 S	10/2007	Gondo et al.
D555,636 S	11/2007	Chen et al.
D556,732 S	12/2007	Chen et al.
D566,730 S	4/2008	Lee
D572,702 S	7/2008	Bart
D573,579 S	7/2008	Yamaguchi
D583,360 S	12/2008	Gredler

(Continued)

(73) Assignee: **Apple Inc.**, Cupertino, CA (US)

(**) Term: **14 Years**

(21) Appl. No.: **29/493,774**

(22) Filed: **Jun. 12, 2014**

Related U.S. Application Data

(62) Division of application No. 29/441,336, filed on Jan. 3, 2013, now Pat. No. Des. 707,656.

(51) **LOC (10) CL.** **14-03**

(52) **U.S. CL.**
USPC **D14/216**

(58) **Field of Classification Search**
USPC D14/167, 168, 170-172, 188, 194-196, D14/204, 207, 209.1, 210-216, 219, 221, D14/222, 224, 496; 181/143, 144, 147, 148, 181/150, 153, 157, 198, 199; 381/300-303, 381/306, 332, 333, 336, 345, 361-364, 381/386-388; 369/6-12
CPC B60R 11/0217; G06F 1/1688; G10K 9/22; G10K 11/004; H03F 1/327; H04M 1/03; H04M 1/035; H04N 5/642; H04N 21/4852; H04R 1/02; H04R 1/06; H04R 1/021; H04R 1/025; H04R 1/026; H04R 1/028; H04R 1/105; H04R 1/323; H04R 1/403; H04R 1/2803; H04R 1/2834; H04R 5/02; H04R 7/20; H04R 9/06; H04R 9/025; H04R 2201/021; H04R 2400/00; H04R 2400/07;

Primary Examiner — Keli L Hill

(74) *Attorney, Agent, or Firm* — Sterne, Kessler, Goldstein & Fox P.L.L.C.

(57) **CLAIM**

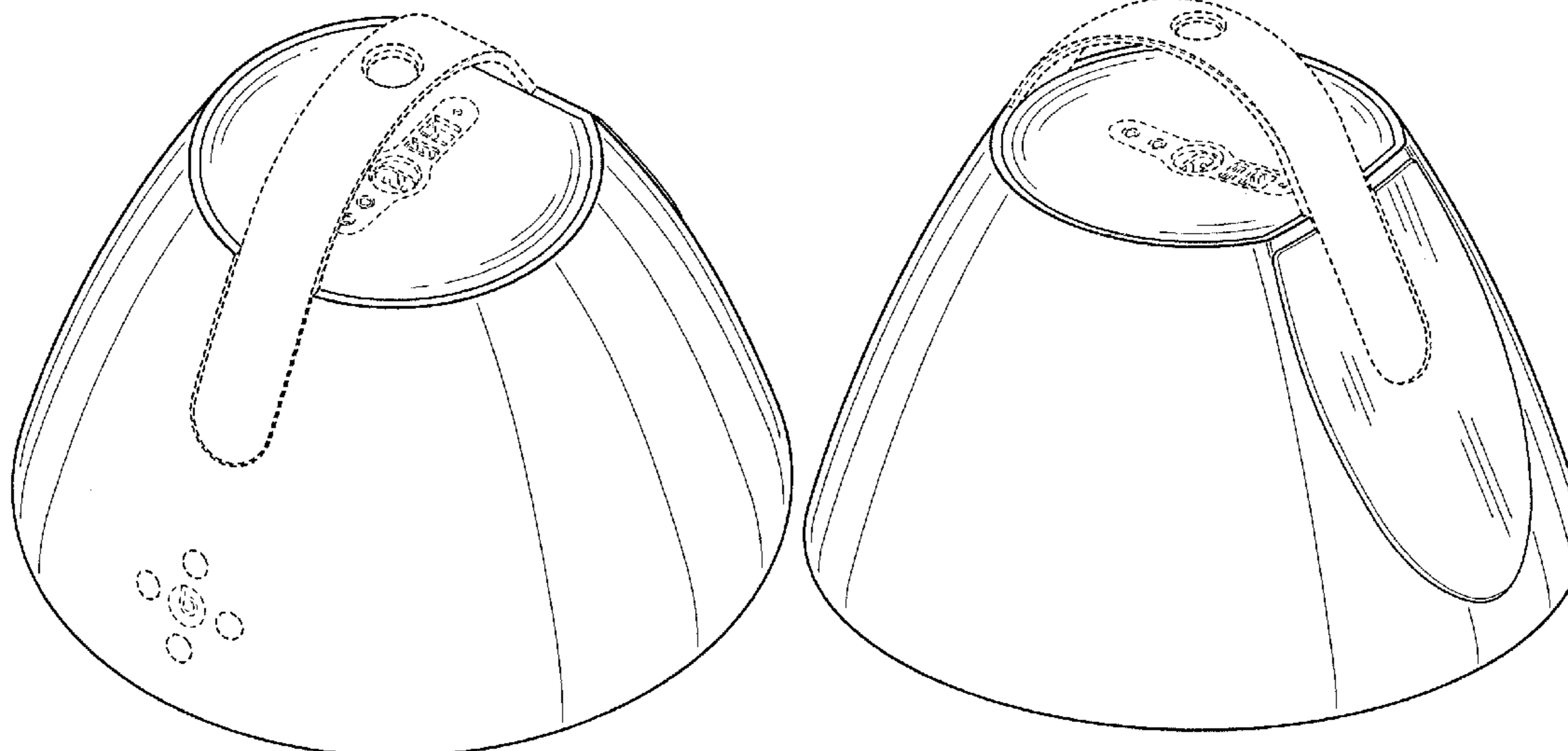
The ornamental design for an audio speaker system, as shown and described.

DESCRIPTION

FIG. 1 is a top perspective view of an audio speaker system showing our new design;
FIG. 2 is a rear perspective view thereof;
FIG. 3 is a front view thereof;
FIG. 4 is a rear view thereof;
FIG. 5 is a left side view thereof;
FIG. 6 is a right side view thereof;
FIG. 7 is a top view thereof; and,
FIG. 8 is a bottom view thereof.

The broken lines in the figures show portions of the audio speaker system that form no part of the claimed design.

1 Claim, 5 Drawing Sheets



(56)

References Cited

U.S. PATENT DOCUMENTS

D587,675 S	3/2009	Xie	D642,156 S	7/2011	Joseph	
D599,782 S	9/2009	Tse	D642,159 S	7/2011	Joseph	
D600,251 S	9/2009	Poandl	D659,119 S	5/2012	Brunner	
D606,979 S	12/2009	Henry	8,180,095 B2	5/2012	Zhang	
D607,536 S	1/2010	Filo	D674,775 S	1/2013	Bolton	
D611,450 S	3/2010	Miyazaki	D678,243 S	3/2013	McManigal et al.	
7,689,197 B2	3/2010	Laude et al.	D683,718 S	6/2013	Brunner	
D616,420 S	5/2010	Morimoto	D687,016 S	7/2013	Brunner	
D620,921 S	8/2010	Skurdal	D691,587 S *	10/2013	Ferber	D14/216
D620,923 S	8/2010	Orfali	D695,713 S *	12/2013	Szymanski	D14/216
D621,383 S	8/2010	Hou	D699,218 S *	2/2014	Lee	D14/216
D625,288 S	10/2010	Ueda	D707,656 S *	6/2014	Brunner	D14/216
D636,378 S	4/2011	Ohashi et al.	D709,861 S	7/2014	Brunner et al.	
D636,758 S	4/2011	Tzeng	D714,248 S *	9/2014	Chang	D14/140
D636,759 S	4/2011	Chen	D716,254 S *	10/2014	O'Brien	D14/204
			D729,772 S *	5/2015	Ferber	D14/216
			D731,465 S *	6/2015	Khubani	D14/216

* cited by examiner

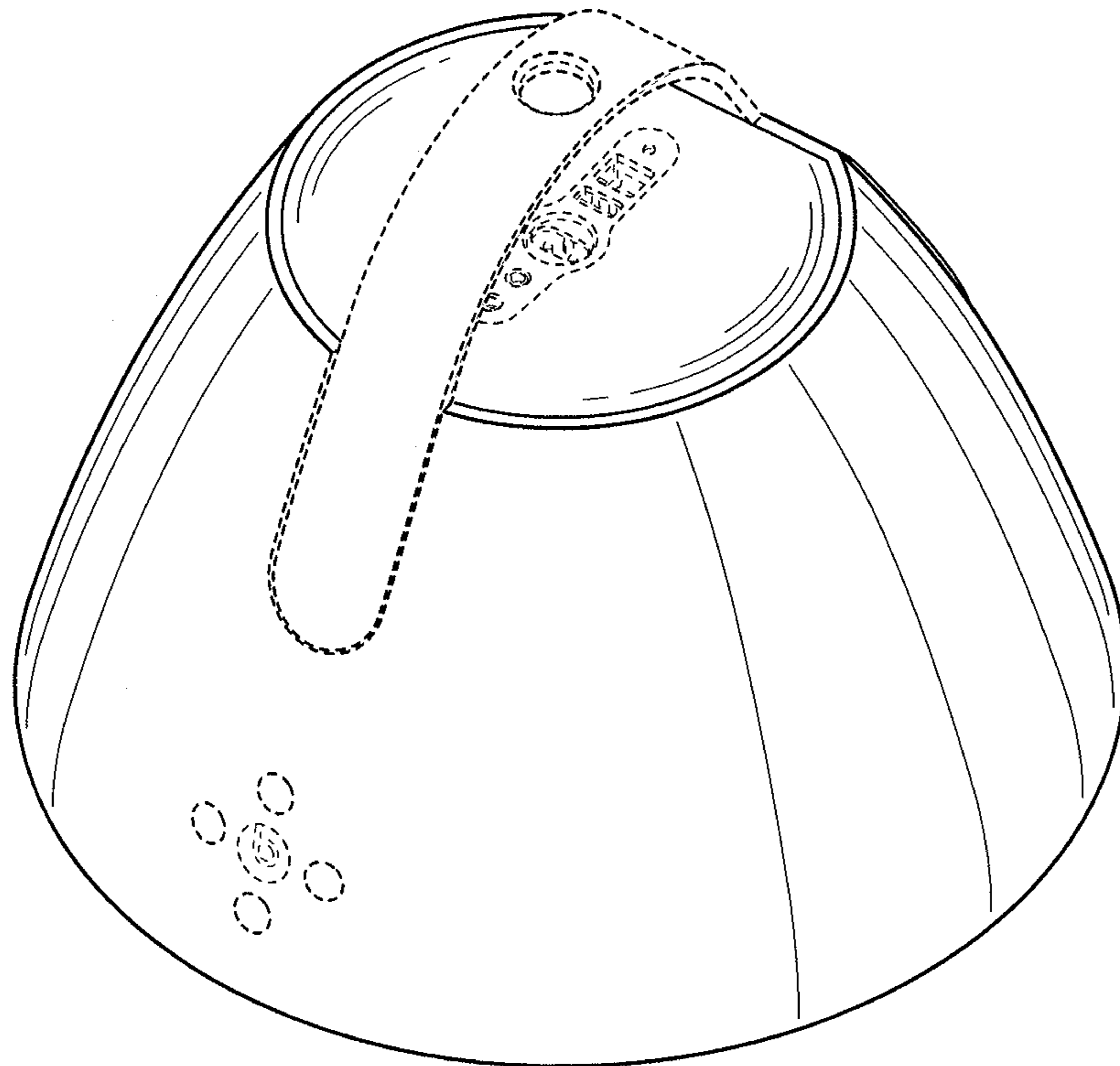


FIG. 1

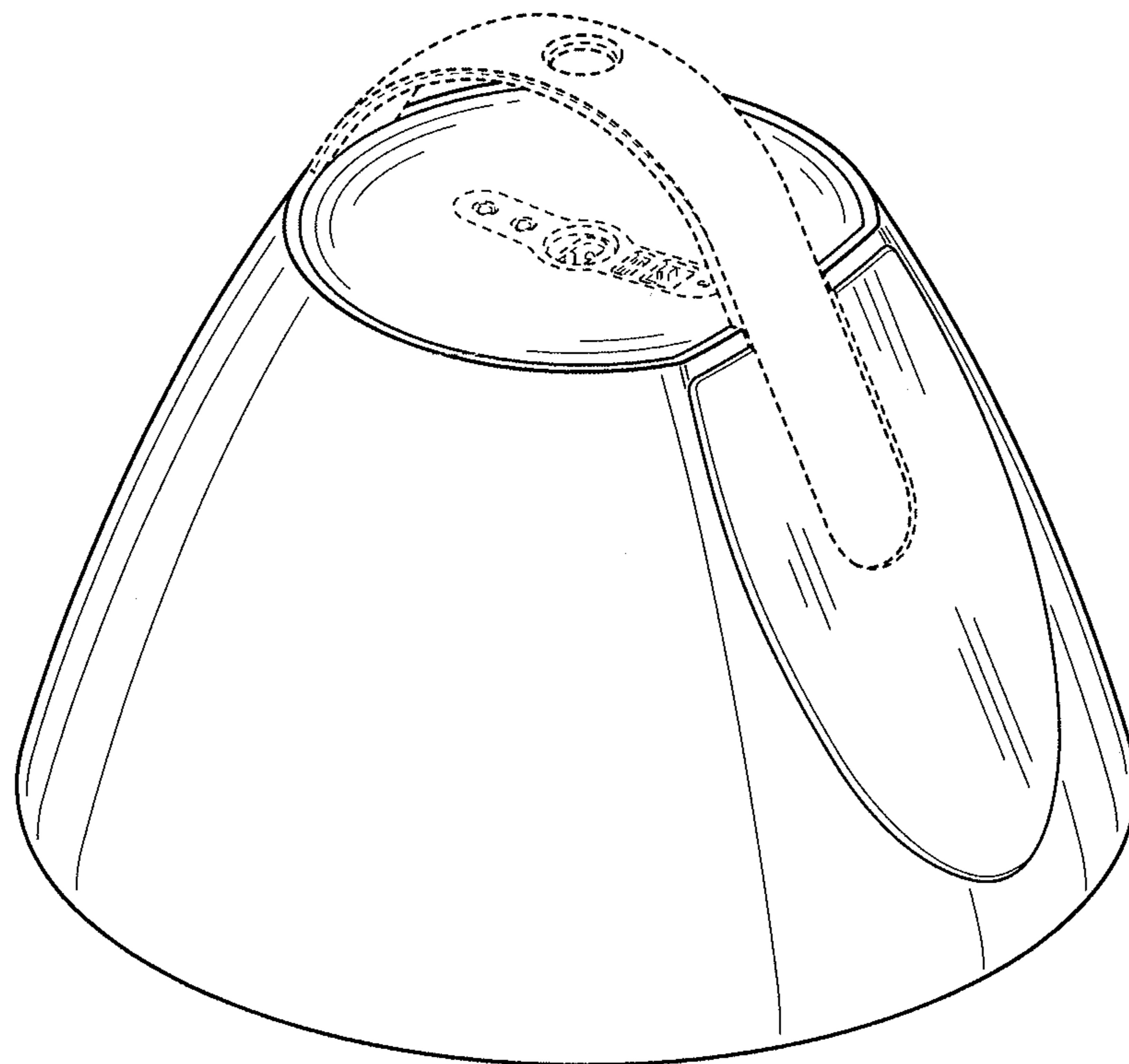


FIG. 2

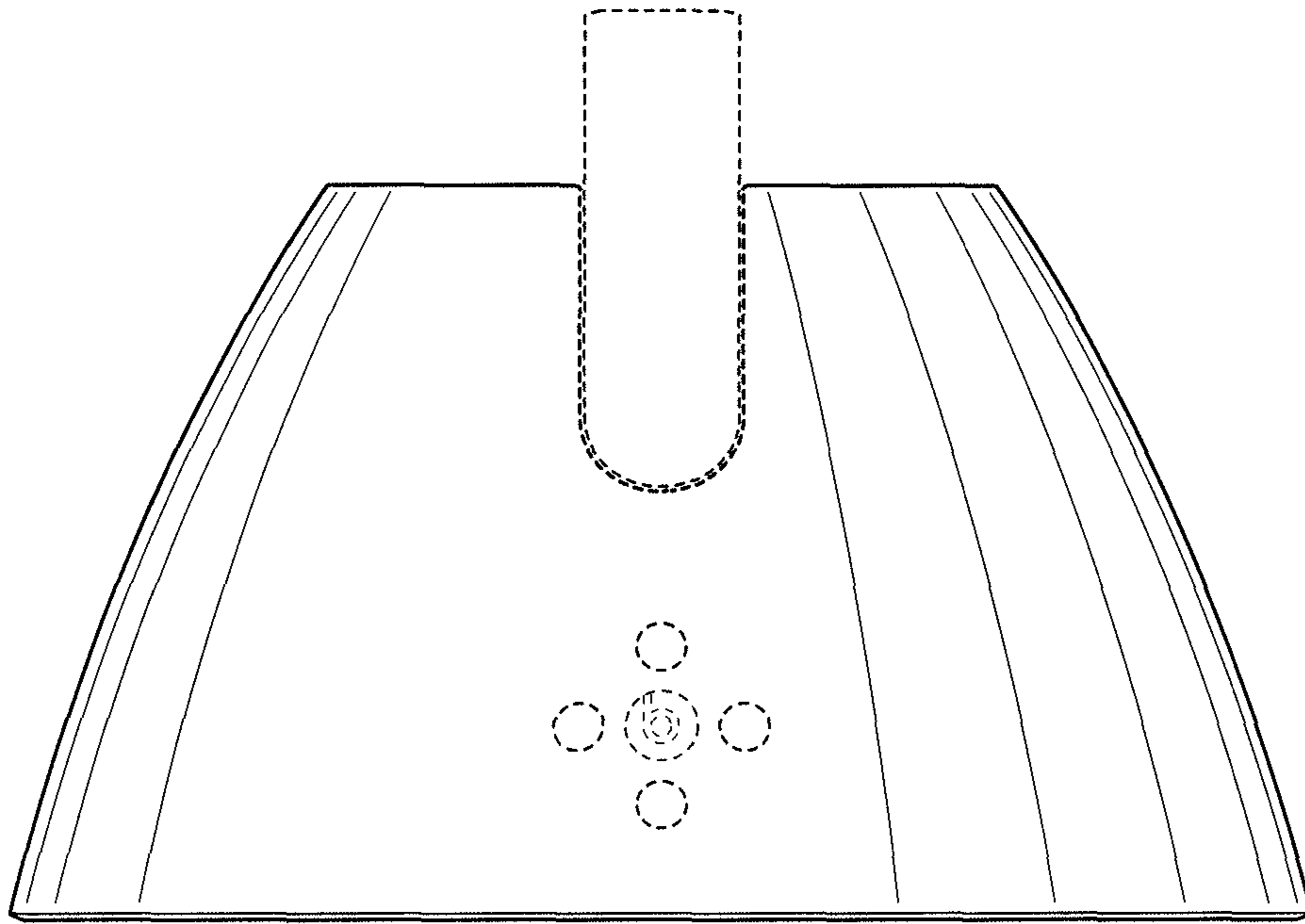


FIG. 3

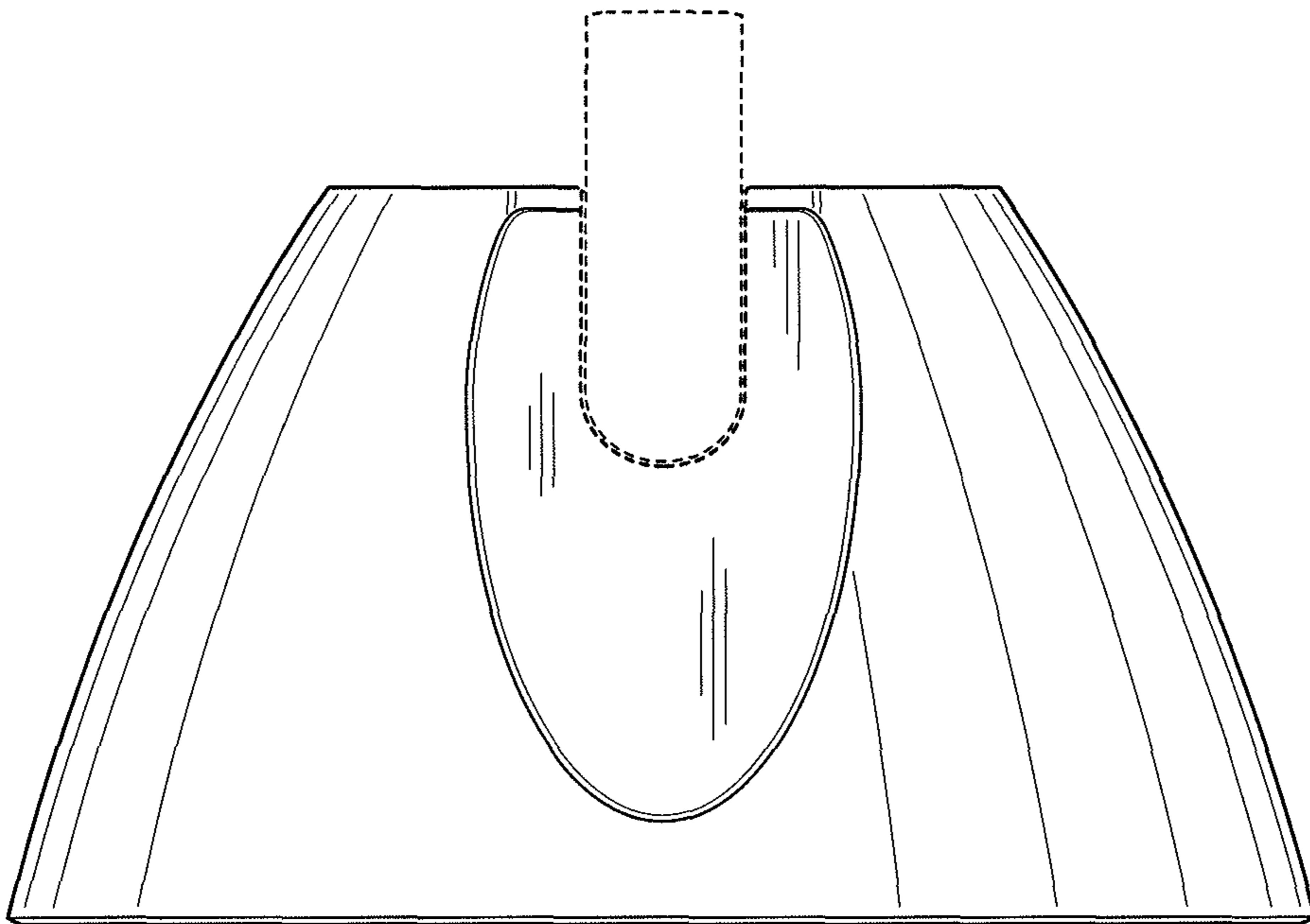


FIG. 4

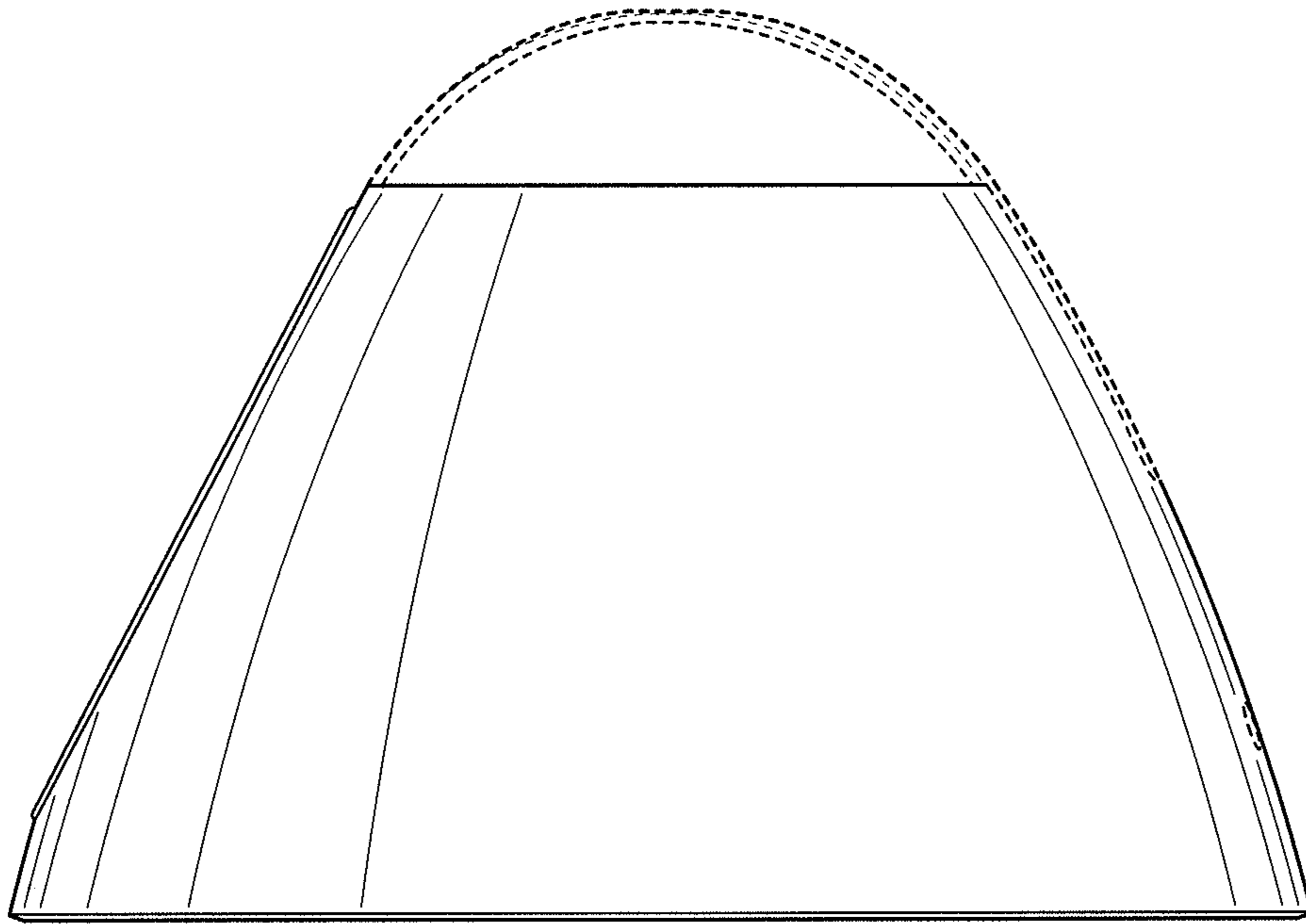


FIG. 5

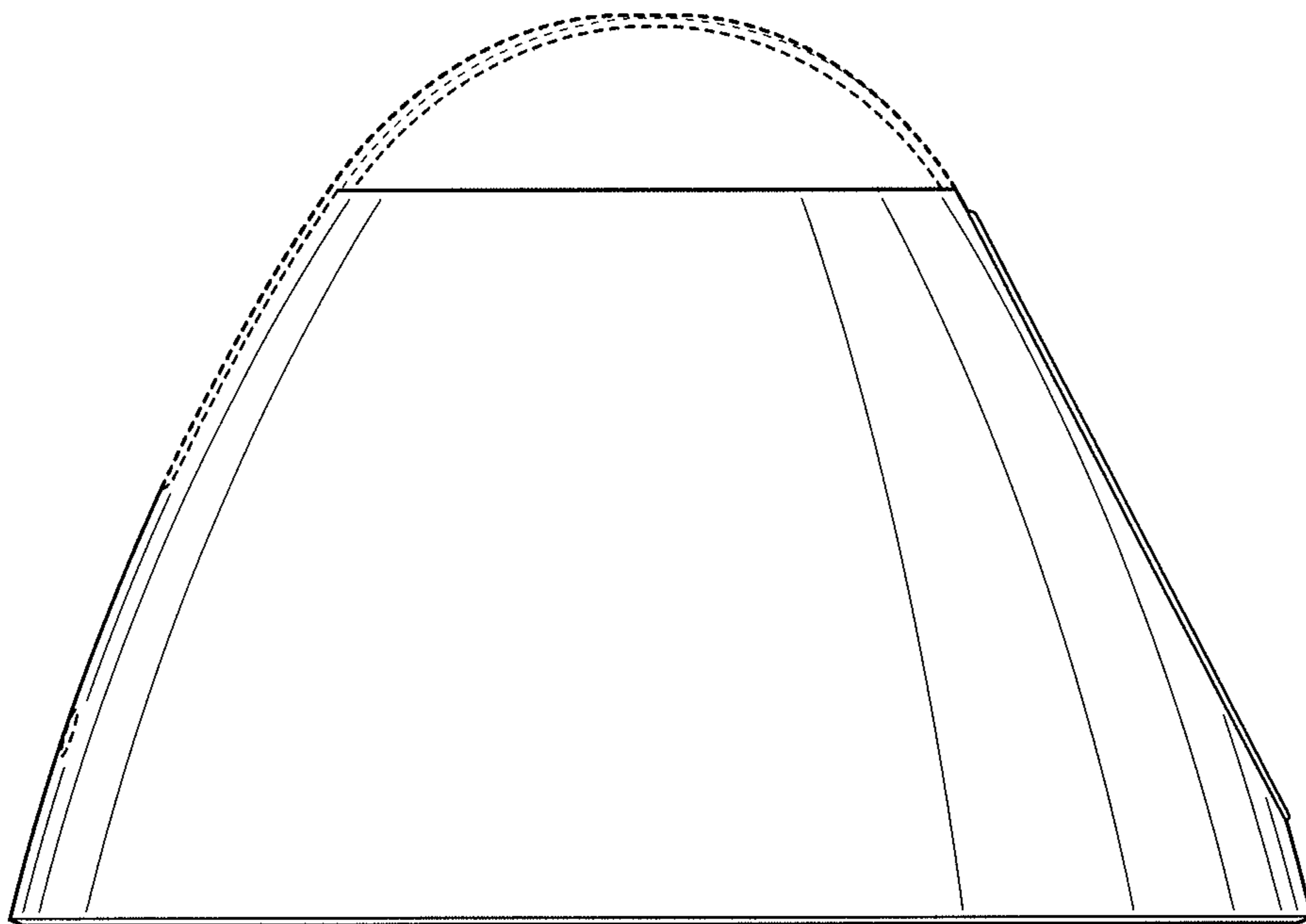


FIG. 6

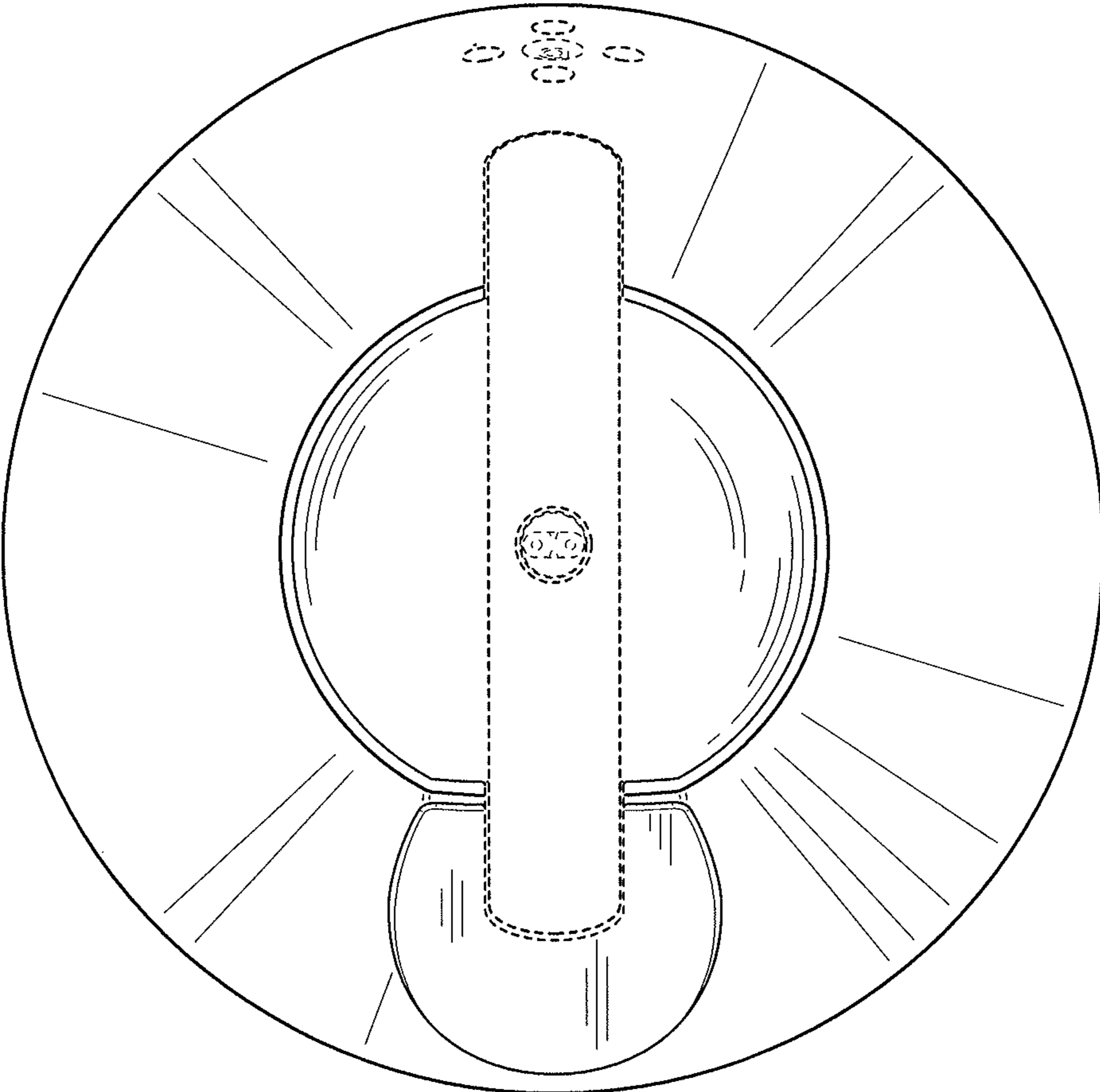


FIG. 7

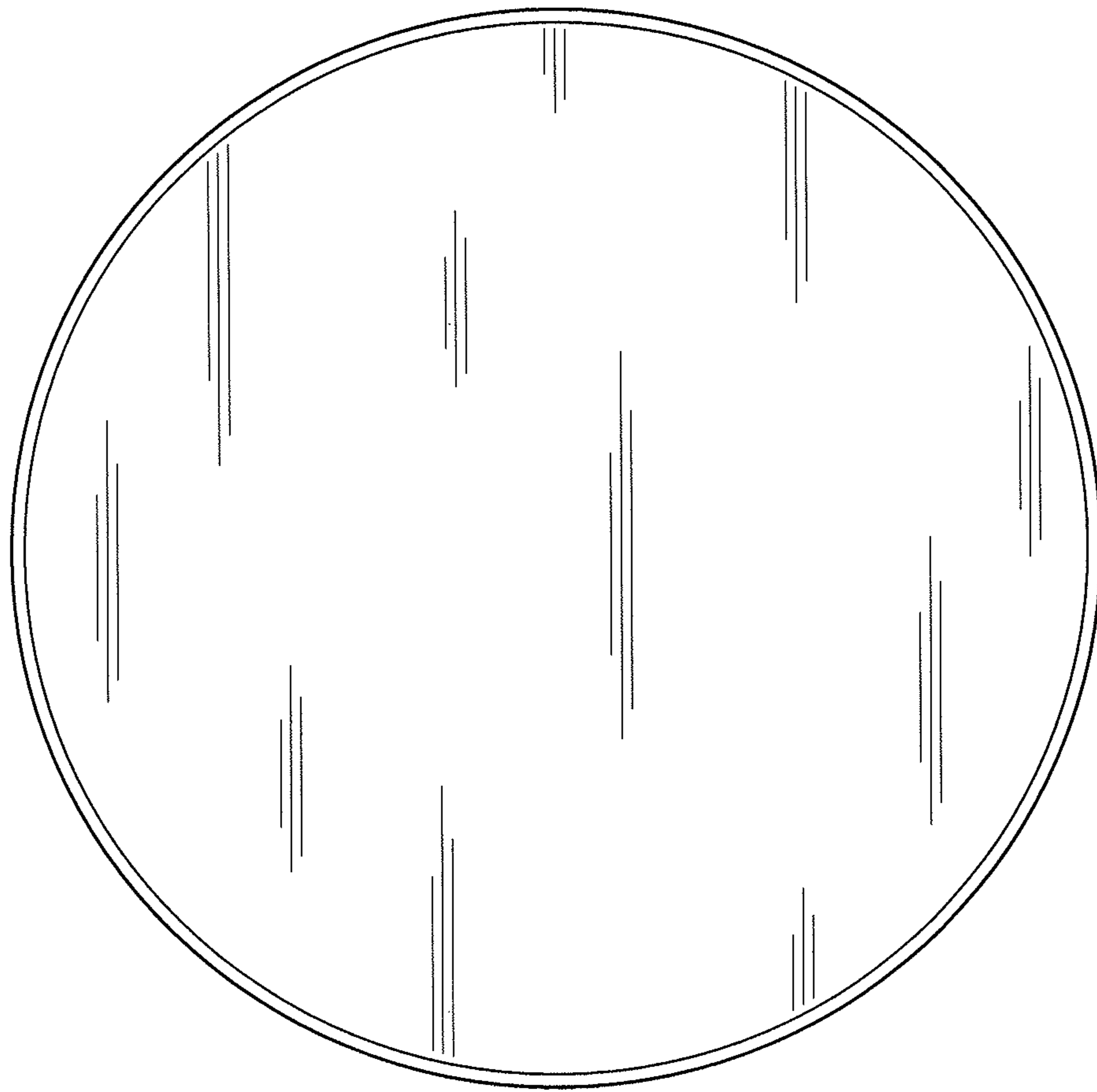


FIG. 8