



US00D755753S

(12) **United States Design Patent**  
**Nakagawa**

(10) **Patent No.:** **US D755,753 S**  
(45) **Date of Patent:** **\*\* May 10, 2016**

(54) **HEADPHONE**

(71) Applicant: **Panasonic Intellectual Property Management Co., Ltd., Osaka (JP)**

(72) Inventor: **Hitoshi Nakagawa, Osaka (JP)**

(73) Assignee: **Panasonic Intellectual Property Management Co., Ltd., Osaka (JP)**

(\*\*) Term: **14 Years**

(21) Appl. No.: **29/519,998**

(22) Filed: **Mar. 10, 2015**

D510,335 S *	10/2005	Suzuki	.....	D14/205
D534,155 S *	12/2006	Obata	.....	D14/205
D538,261 S *	3/2007	Taylor	.....	D14/205
D573,581 S *	7/2008	Gondo	.....	D14/205
D603,370 S *	11/2009	Suzuki	.....	D14/205
D625,705 S *	10/2010	Ohori	.....	D14/205
D632,668 S *	2/2011	Brunner	.....	D14/205
D635,958 S *	4/2011	Ando	.....	D14/205
D637,176 S *	5/2011	Brunner	.....	D14/205
D643,833 S *	8/2011	Lee	.....	D14/223
D652,406 S *	1/2012	Lee	.....	D14/205
D662,080 S *	6/2012	Carr	.....	D14/205
D664,113 S *	7/2012	Katsumata	.....	D14/205
D666,990 S *	9/2012	Komiyama	.....	D14/205
D677,647 S *	3/2013	Lee	.....	D14/205
D683,329 S	5/2013	Hagelin	.....	

(Continued)

**Related U.S. Application Data**

(62) Division of application No. 29/491,028, filed on May 15, 2014, now Pat. No. Des. 728,512.

(30) **Foreign Application Priority Data**

Mar. 10, 2014 (JP) ..... 2014-004924

(51) **LOC (10) Cl.** ..... **14-01**

(52) **U.S. Cl.**  
USPC ..... **D14/205**

(58) **Field of Classification Search**  
USPC ..... D14/205, 223; D29/112; 2/209;  
181/129, 130, 135; 379/430, 431;  
381/380, 381, 374; 455/90.1, 575.1  
CPC ..... H04R 1/1066  
See application file for complete search history.

(56) **References Cited**

**U.S. PATENT DOCUMENTS**

D328,074 S *	7/1992	Yamazaki	.....	D14/205
5,862,241 A *	1/1999	Nelson	.....	H04R 1/1066 381/374
D484,485 S *	12/2003	Matsuoka	.....	D14/205
D504,414 S *	4/2005	Yoshida	.....	D14/192

**FOREIGN PATENT DOCUMENTS**

JP D1445939 7/2012

*Primary Examiner* — Paula Greene

(74) *Attorney, Agent, or Firm* — Panasonic Patent Center

(57) **CLAIM**

I claim the ornamental design for a headphone, as shown and described.

**DESCRIPTION**

FIG. 1 is a front perspective view of a headphone of the present invention;  
FIG. 2 is a front view thereof;  
FIG. 3 is a rear view thereof;  
FIG. 4 is a first side view thereof;  
FIG. 5 is a second side view thereof;  
FIG. 6 is a top view thereof; and,  
FIG. 7 is a bottom view thereof.

The broken line showing of headphone is included for the purpose of illustrating environment and forms no part of the claimed design. Additionally, the unevenly broken lines in the drawings define the limits of the claimed design.

**1 Claim, 7 Drawing Sheets**



(56)

**References Cited**

U.S. PATENT DOCUMENTS

D684,141 S \* 6/2013 Takamoto ..... D14/205  
D684,559 S \* 6/2013 Groset ..... D14/205  
D691,583 S \* 10/2013 Kitayama ..... D14/205  
D691,984 S \* 10/2013 Wang ..... D14/205  
D708,164 S \* 7/2014 Ishikura ..... D14/205

D709,860 S \* 7/2014 Brunner ..... D14/205  
D722,998 S \* 2/2015 Sancho ..... D14/205  
D725,630 S \* 3/2015 Nakagawa ..... D14/205  
D728,512 S \* 5/2015 Nakagawa ..... D14/205  
D739,842 S \* 9/2015 Birger ..... D14/205  
2011/0206216 A1 \* 8/2011 Brunner ..... H04R 1/1066  
381/74

\* cited by examiner

FIG. 1

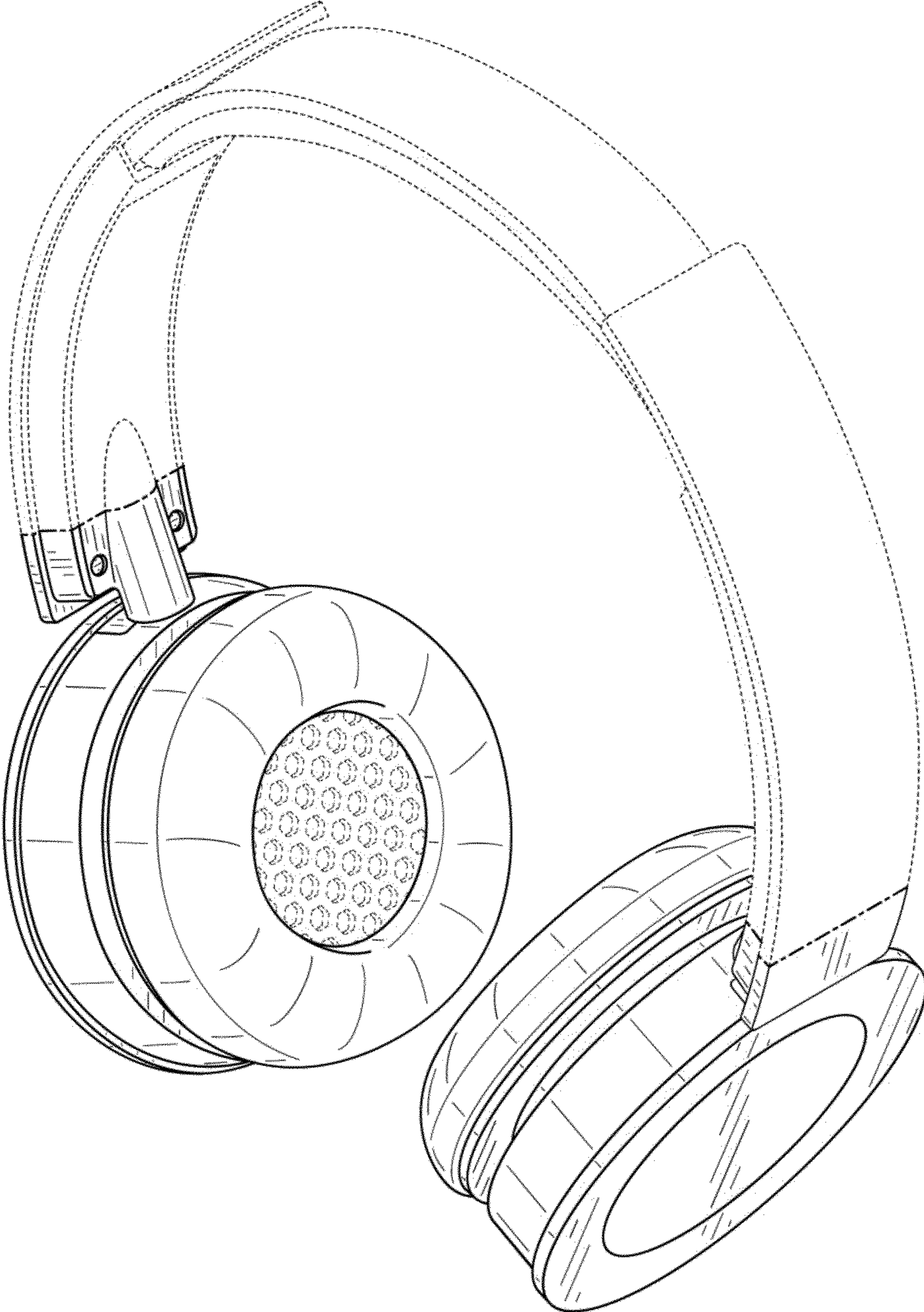




FIG. 2



FIG. 3

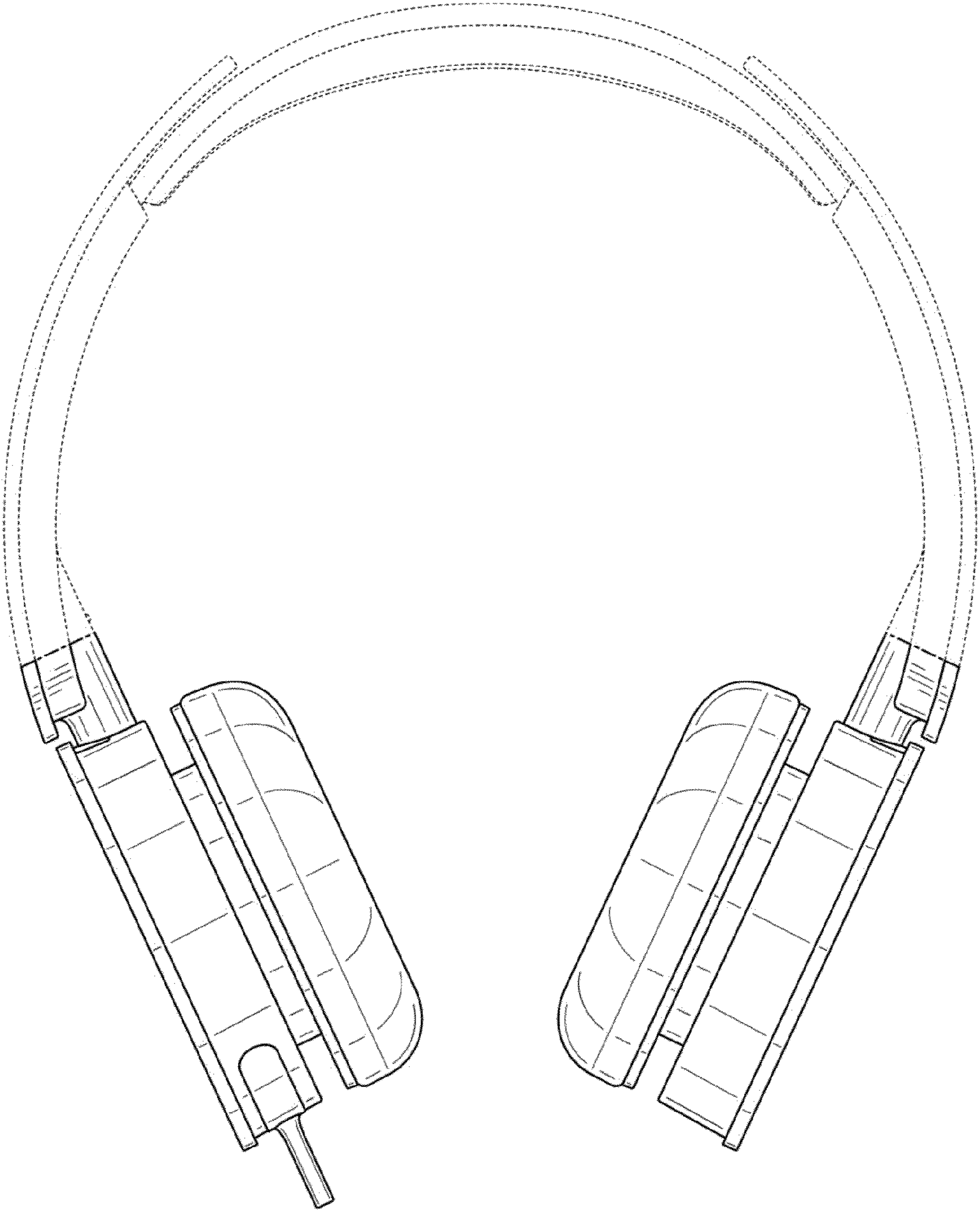


FIG. 4

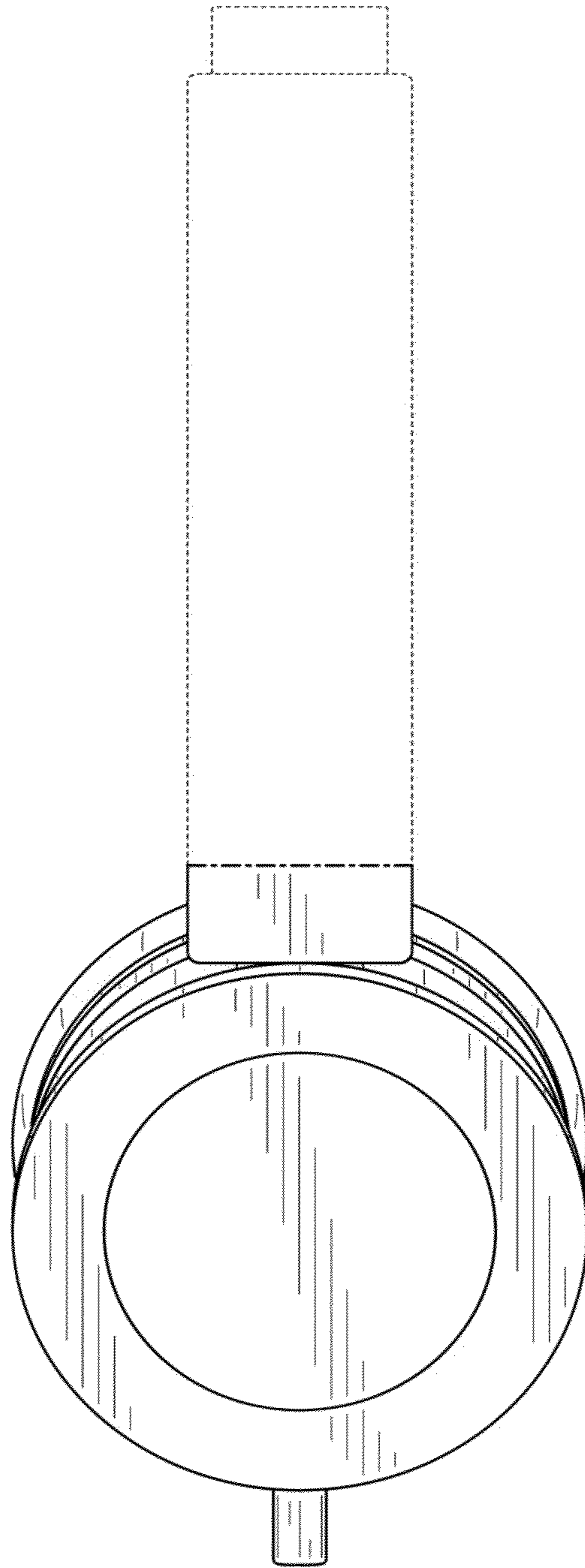


FIG. 5

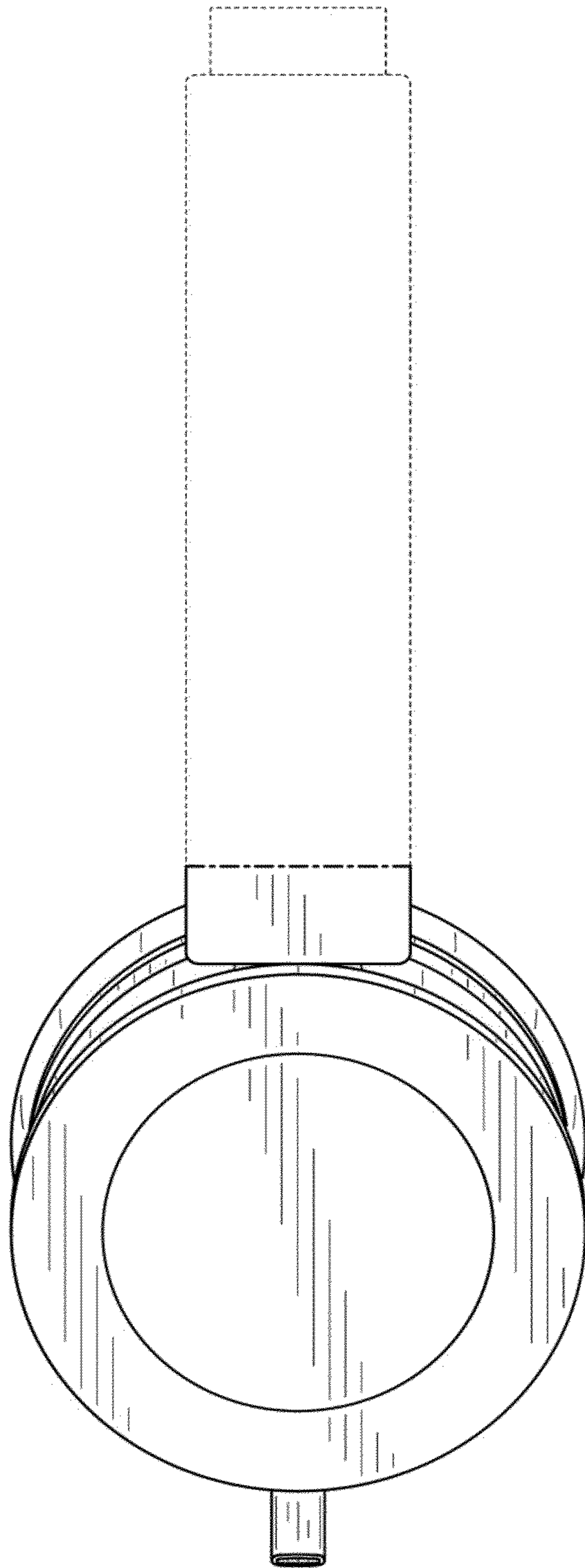


FIG. 6

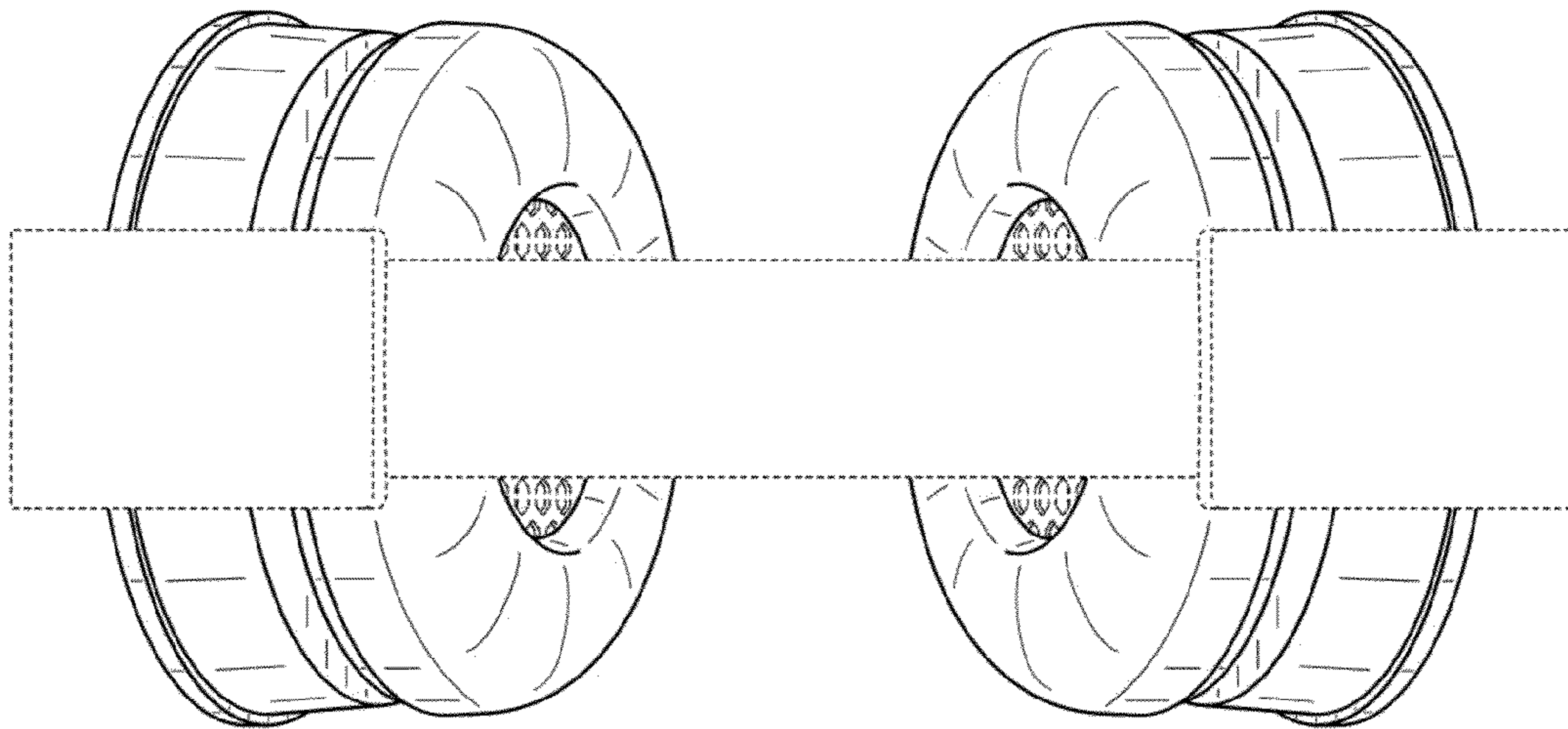




FIG. 7

