



US00D755751S

(12) **United States Design Patent**
Valeur

(10) **Patent No.:** **US D755,751 S**
(45) **Date of Patent:** **** May 10, 2016**

(54) **LOUDSPEAKER**

(71) Applicant: **Bang & Olufsen A/S**, Struer (DK)
(72) Inventor: **Torsten Valeur**, København V (DK)
(73) Assignee: **Bang & Olufsen a/s**, Struer (DK)
(**) Term: **14 Years**
(21) Appl. No.: **29/485,567**

(22) Filed: **Mar. 20, 2014**

(30) **Foreign Application Priority Data**

Sep. 20, 2013 (DK) 2013 00066
(51) **LOC (10) Cl.** **14-01**
(52) **U.S. Cl.**
USPC **D14/204**
(58) **Field of Classification Search**
USPC D14/172, 194, 204, 207, 209.1,
D14/210–215, 221, 222; 181/148, 152, 153,
181/157, 192, 198, 199; 381/300–303, 332,
381/333, 336, 345, 361, 386–388
CPC H04M 1/03; H04M 1/035; H04R 1/02;
H04R 1/06; H04R 1/021; H04R 1/025;
H04R 1/026; H04R 1/105; H04R 1/323;
H04R 1/345; H04R 1/403; H04R 1/2803;
H04R 1/2834; H04R 3/12; H04R 5/02;
H04R 2203/12

See application file for complete search history.

(56) **References Cited**

U.S. PATENT DOCUMENTS

D324,684 S * 3/1992 Lempert D14/211
D344,950 S * 3/1994 Lewis D14/211
D480,069 S * 9/2003 Carbone et al. D14/216
D492,281 S * 6/2004 Hakoda D14/211
D494,958 S * 8/2004 Solland D14/215
D658,160 S * 4/2012 Janky et al. D14/214
2004/0071298 A1 * 4/2004 Geeng 381/89

* cited by examiner

Primary Examiner — Derrick Holland

Assistant Examiner — Janice Lim

(74) *Attorney, Agent, or Firm* — Dykema Gossett PLLC

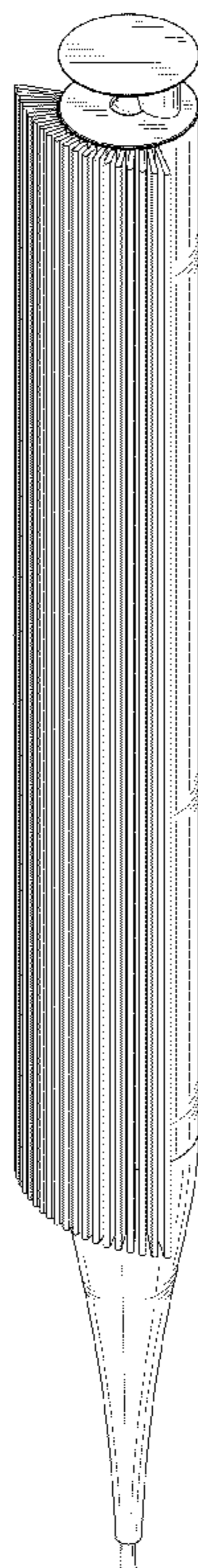
(57) **CLAIM**

The ornamental design for a loudspeaker, as shown and described.

DESCRIPTION

FIG. 1 is a front elevation view of a loudspeaker showing my new design;
FIG. 2 is a right side elevation view of FIG. 1, wherein the left side elevation view is a mirror image thereof;
FIG. 3 is a rear elevation view of FIG. 1;
FIG. 4 is a top plan view of FIG. 1;
FIG. 5 is a bottom plan view of FIG. 1;
FIG. 6 is a front, top, and side perspective view of FIG. 1; and,
FIG. 7 is a rear, top, and side perspective view of FIG. 1.

1 Claim, 3 Drawing Sheets



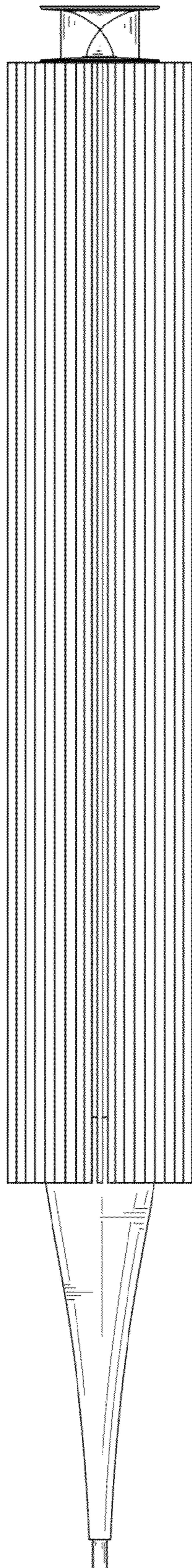


FIG. 1

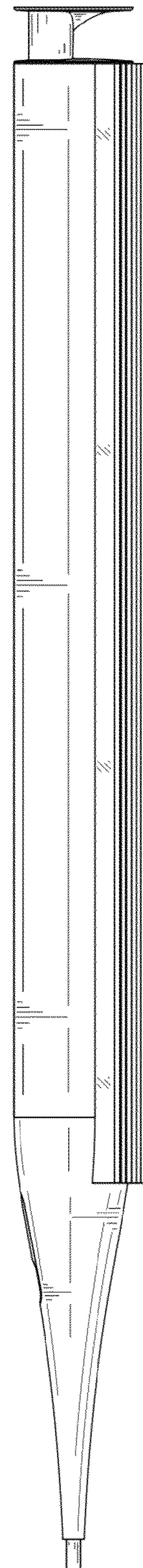


FIG. 2

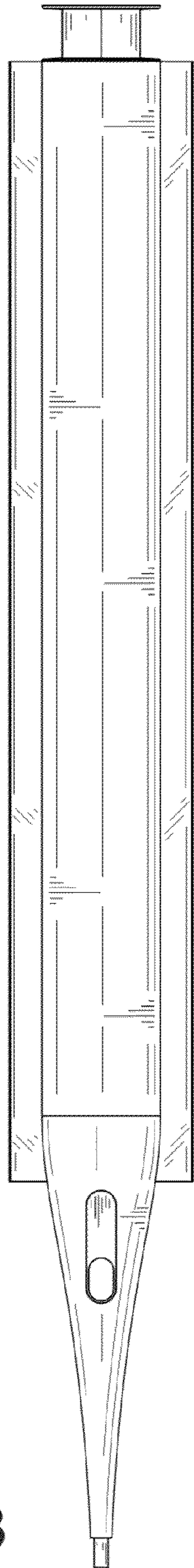


FIG. 3

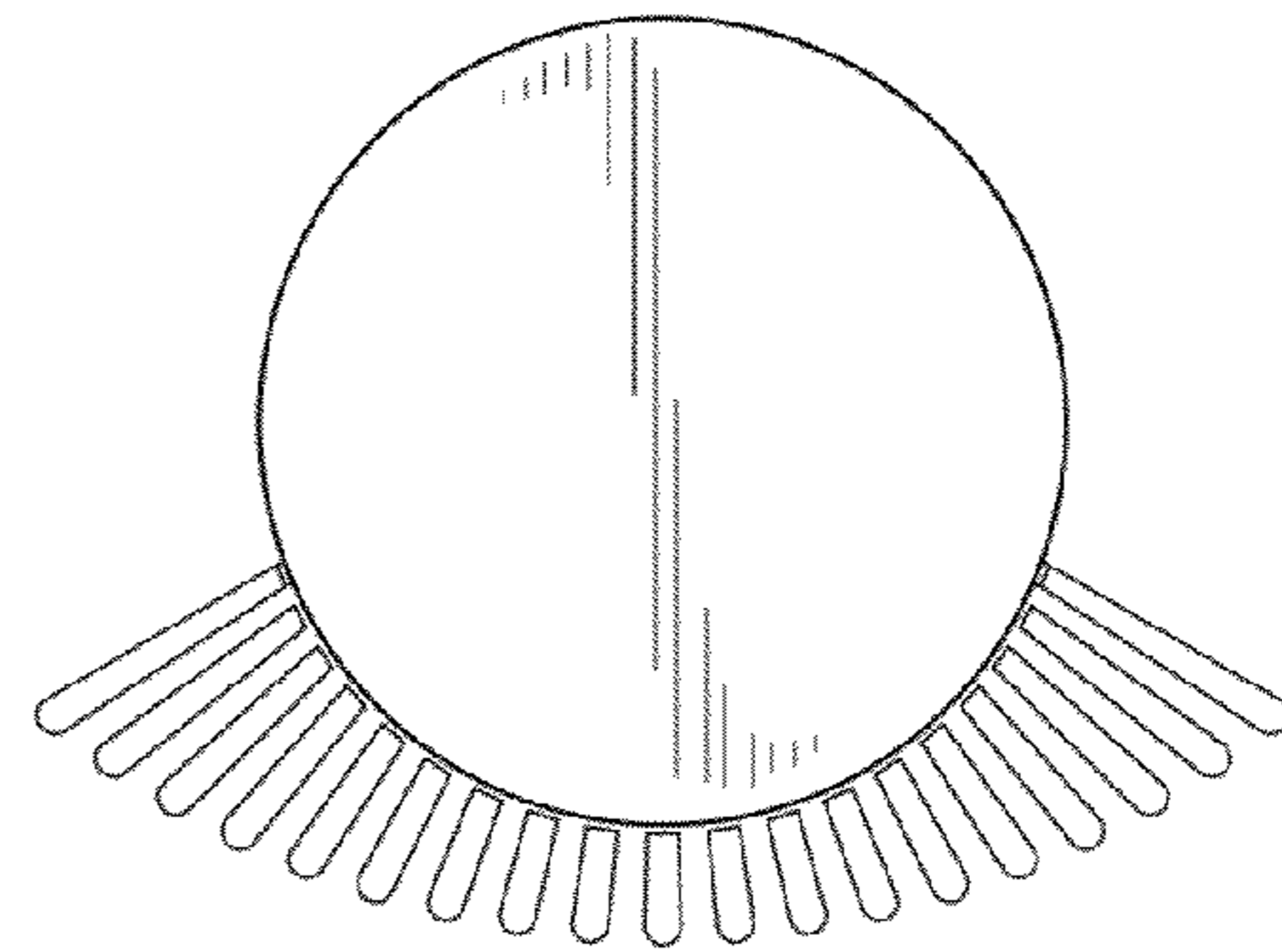


FIG. 4

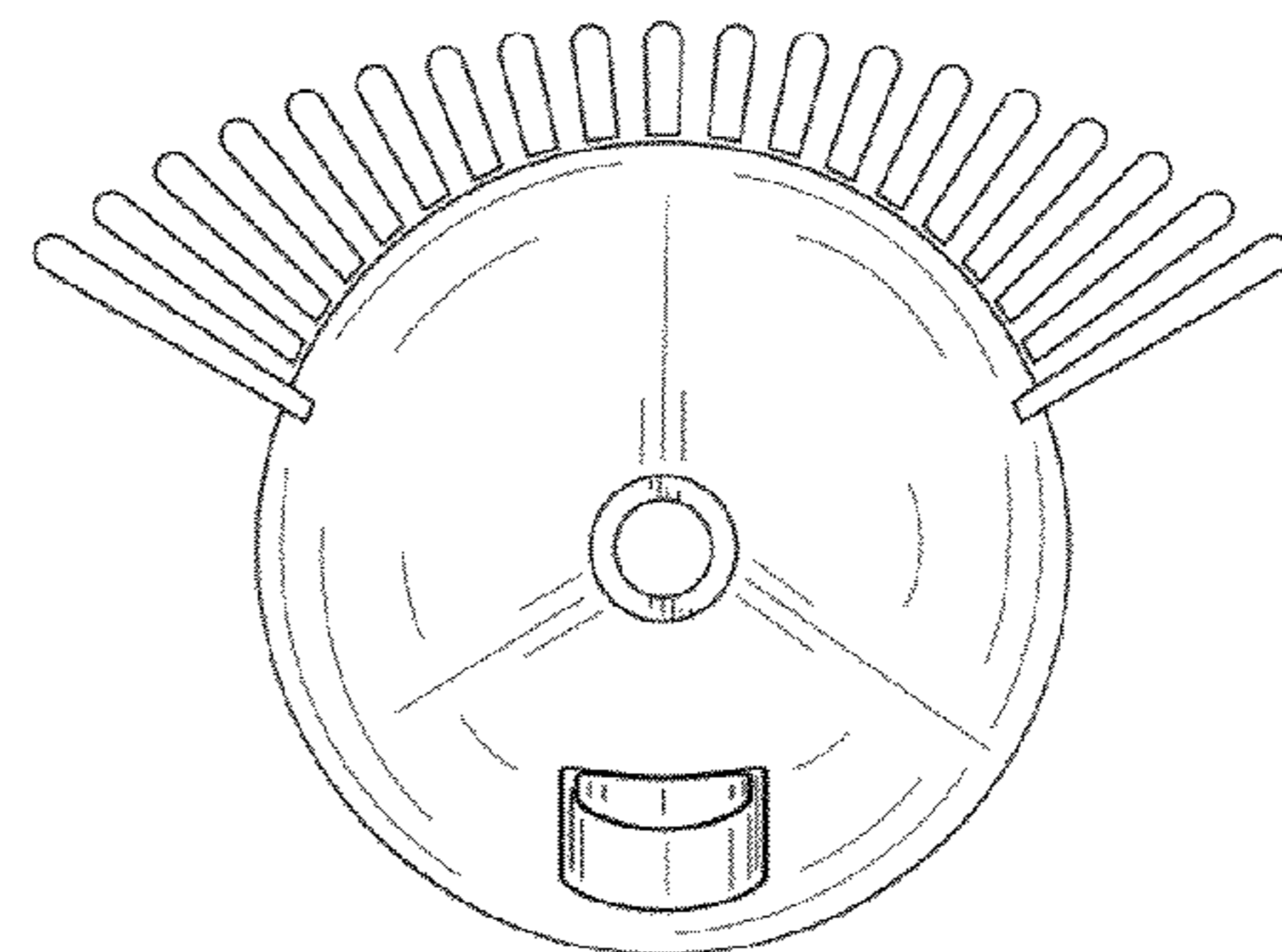


FIG. 5

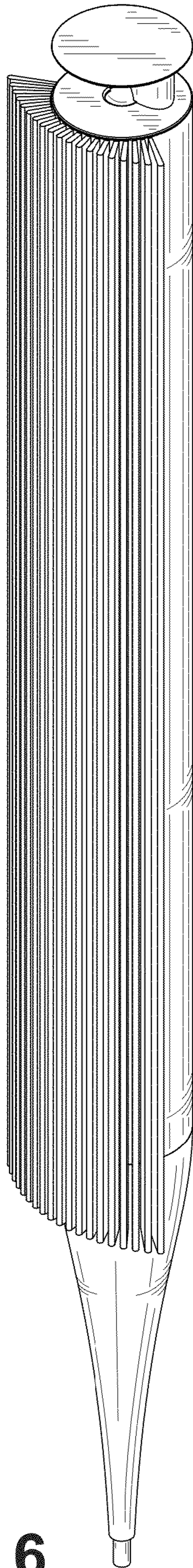


FIG. 6

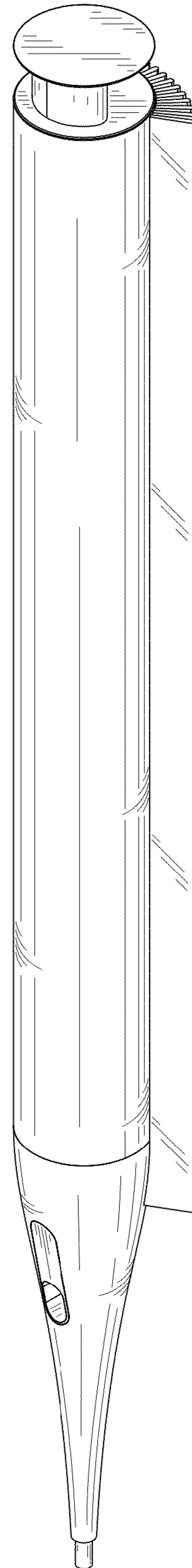


FIG. 7