



US00D755745S

(12) **United States Design Patent**  
**Williams et al.**

(10) **Patent No.:** **US D755,745 S**  
(45) **Date of Patent:** **\*\* May 10, 2016**

(54) **VIDEO CONFERENCE PANEL**

(56) **References Cited**

(71) Applicant: **Cisco Technology, Inc.**, San Jose, CA (US)

U.S. PATENT DOCUMENTS

(72) Inventors: **Otto N. Williams**, Berkeley, CA (US);  
**Kenneth S. Mak**, San Francisco, CA (US); **Jaime R. Bautista**, Daly City, CA (US); **Shawn E. Bender**, Campbell, CA (US); **Damon Covell Campbell**, Pacific Grove, CA (US); **Stephen L. Ijams**, San Jose, CA (US); **James K. Levins**, Santa Clara, CA (US); **Tim P. Mccollum**, Morgan Hill, CA (US); **David M. Sanguinet**, San Jose, CA (US)

3,909,525 A 9/1975 Fagan  
D340,229 S 10/1993 Drabczyk et al.  
D448,024 S 9/2001 Kim  
D558,270 S 12/2007 Beno  
D579,888 S 11/2008 Lunde et al.  
D581,380 S 11/2008 Derocher et al.  
D583,781 S 12/2008 Derocher et al.

(Continued)

FOREIGN PATENT DOCUMENTS

CN ZL201230465124.9 7/2013  
CN ZL201230475295.X 7/2013

(Continued)

(73) Assignee: **Cisco Technology, Inc.**, San Jose, CA (US)

*Primary Examiner* — Raphael Barkai

(74) *Attorney, Agent, or Firm* — Edell, Shapiro & Finnan, LLC

(\*\*) Term: **14 Years**

(57) **CLAIM**

The ornamental design for a video conference panel, as shown and described.

(21) Appl. No.: **29/509,013**

**DESCRIPTION**

(22) Filed: **Nov. 13, 2014**

(51) **LOC (10) Cl.** ..... **14-03**

(52) **U.S. Cl.**  
USPC ..... **D14/126**

(58) **Field of Classification Search**  
USPC ..... D14/125–134, 239, 371, 136, 374–377,  
D14/440, 450, 448, 336, 342, 159; 312/7.2;  
348/836, 838, 180, 184, 325, 739;  
248/917–924, 465; 345/104, 133, 156,  
345/168, 87, 173; D21/329, 515, 577, 622,  
D21/333, 433, 448, 452, 450, 331, 505;  
D10/15, 26; 446/484, 175, 356;  
D6/477, 479, 300

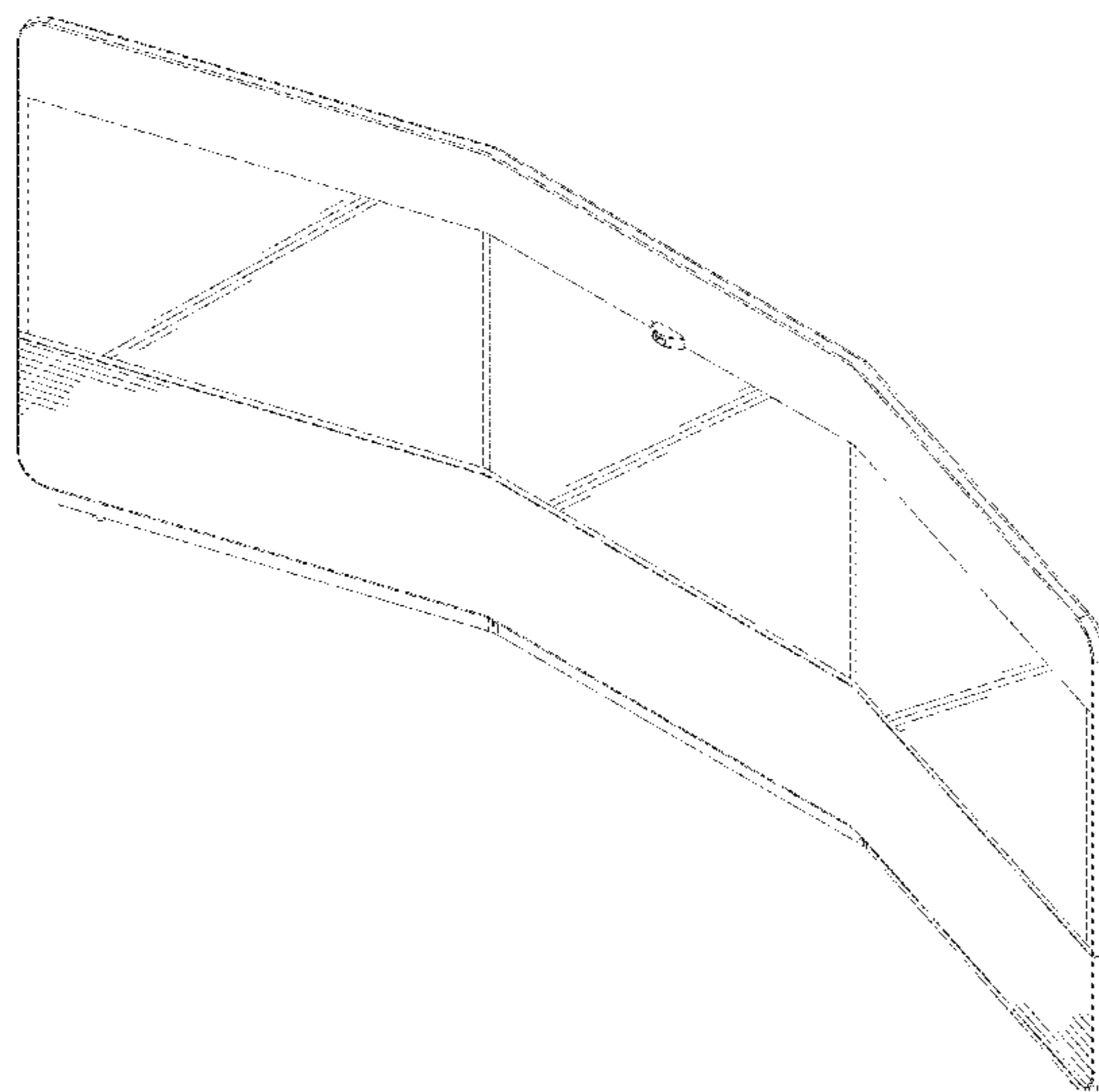
CPC ... G06F 1/1601; G06F 1/1643; H05K 5/0004;  
H05K 5/0017; H05K 5/02; H05K 5/0217

See application file for complete search history.

FIG. 1 is a front perspective view of a video conference panel; FIG. 2 is a top plan view of the video conference panel of FIG. 1; FIG. 3 is a bottom plan view of the video conference panel of FIG. 1; FIG. 4 is a front elevation view of the video conference panel of FIG. 1; FIG. 5 is a rear elevation view of the video conference panel of FIG. 1; FIG. 6 is a first side elevation view of the video conference panel of FIG. 1; and, FIG. 7 is a second side elevation view the video conference panel of FIG. 1.

Any portions shown using dashed lines are for illustrative purposes only and form no part of the claimed design.

**1 Claim, 7 Drawing Sheets**



(56)

**References Cited**

U.S. PATENT DOCUMENTS

D593,977 S 6/2009 Derocher et al.  
 D610,105 S 2/2010 Graham et al.  
 7,679,639 B2 3/2010 Harrell et al.  
 D613,260 S 4/2010 Derocher et al.  
 D616,403 S 5/2010 Roed et al.  
 7,710,448 B2 5/2010 De Beer et al.  
 D618,644 S 6/2010 Graham et al.  
 D623,619 S 9/2010 Roed et al.  
 D623,621 S 9/2010 Roed et al.  
 D624,514 S 9/2010 Roed et al.  
 D626,102 S 10/2010 Buzzard et al.  
 D626,103 S 10/2010 Buzzard et al.  
 D628,175 S 11/2010 Desai et al.  
 D628,968 S 12/2010 Desai et al.  
 D632,008 S 2/2011 Kim et al.  
 D634,745 S 3/2011 Park et al.  
 D649,951 S 12/2011 Roed et al.  
 8,102,331 B1 1/2012 Moscovitch

D663,707 S 7/2012 Derocher et al.  
 D671,085 S 11/2012 Derocher et al.  
 D679,707 S 4/2013 Aarrestad et al.  
 8,500,293 B2 8/2013 Sutton et al.  
 D697,862 S \* 1/2014 Nemeth et al. .... D12/345  
 8,659,639 B2 2/2014 Baldino et al.  
 D708,158 S \* 7/2014 Minyard ..... D14/127  
 D719,927 S \* 12/2014 Aarrestad et al. .... D14/127  
 D720,710 S \* 1/2015 Aarrestad et al. .... D14/127  
 D741,767 S \* 10/2015 Nakamura et al. .... D12/192  
 2012/0243200 A1 9/2012 Sutton et al.

FOREIGN PATENT DOCUMENTS

CN ZL201230465123.4 11/2013  
 EP 1345169-0002 9/2012  
 EP 1345169-0003 9/2012  
 EP 1345169-0004 9/2012  
 EP 1345169-0005 9/2012

\* cited by examiner

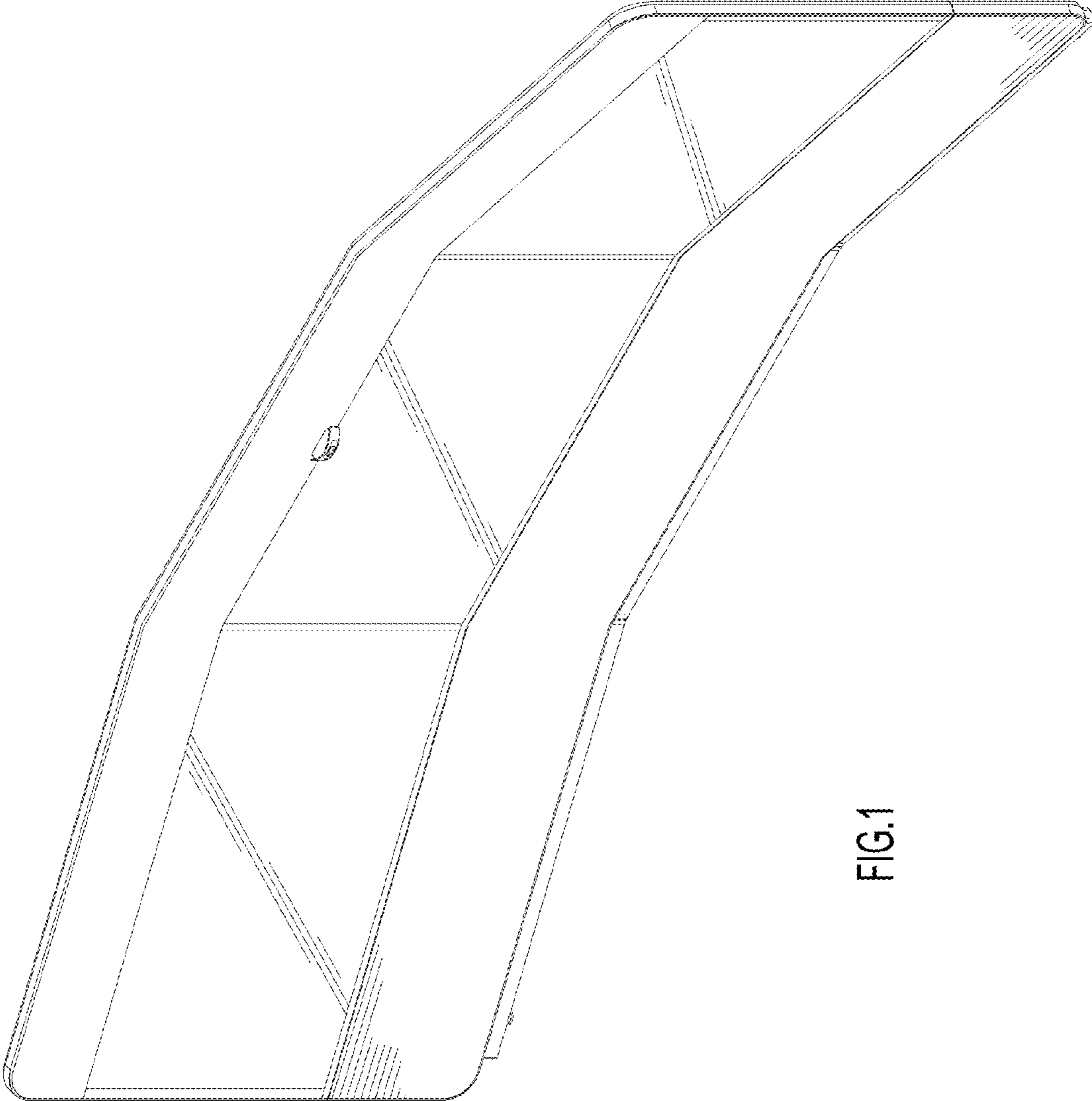


FIG.1

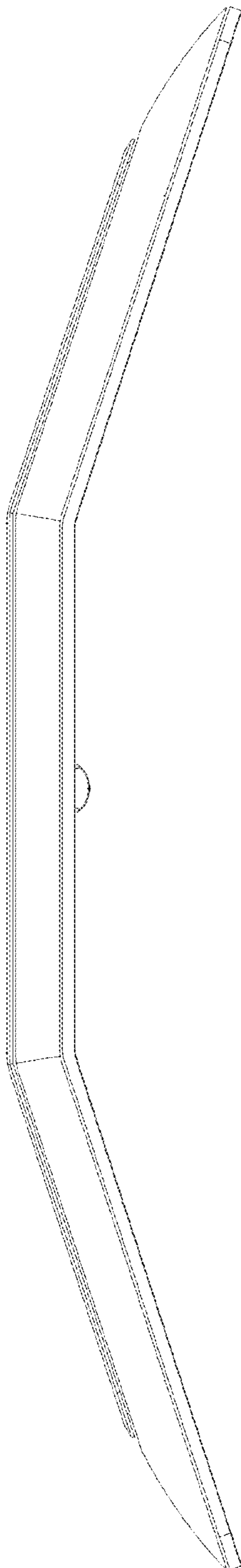


FIG.2

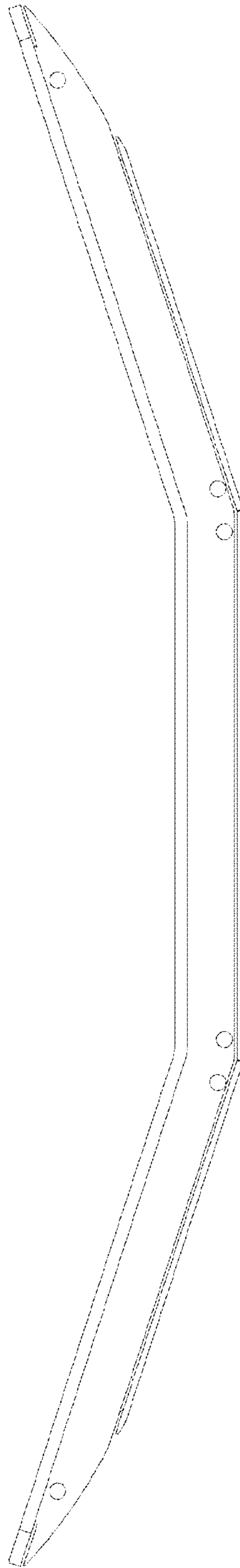


FIG.3

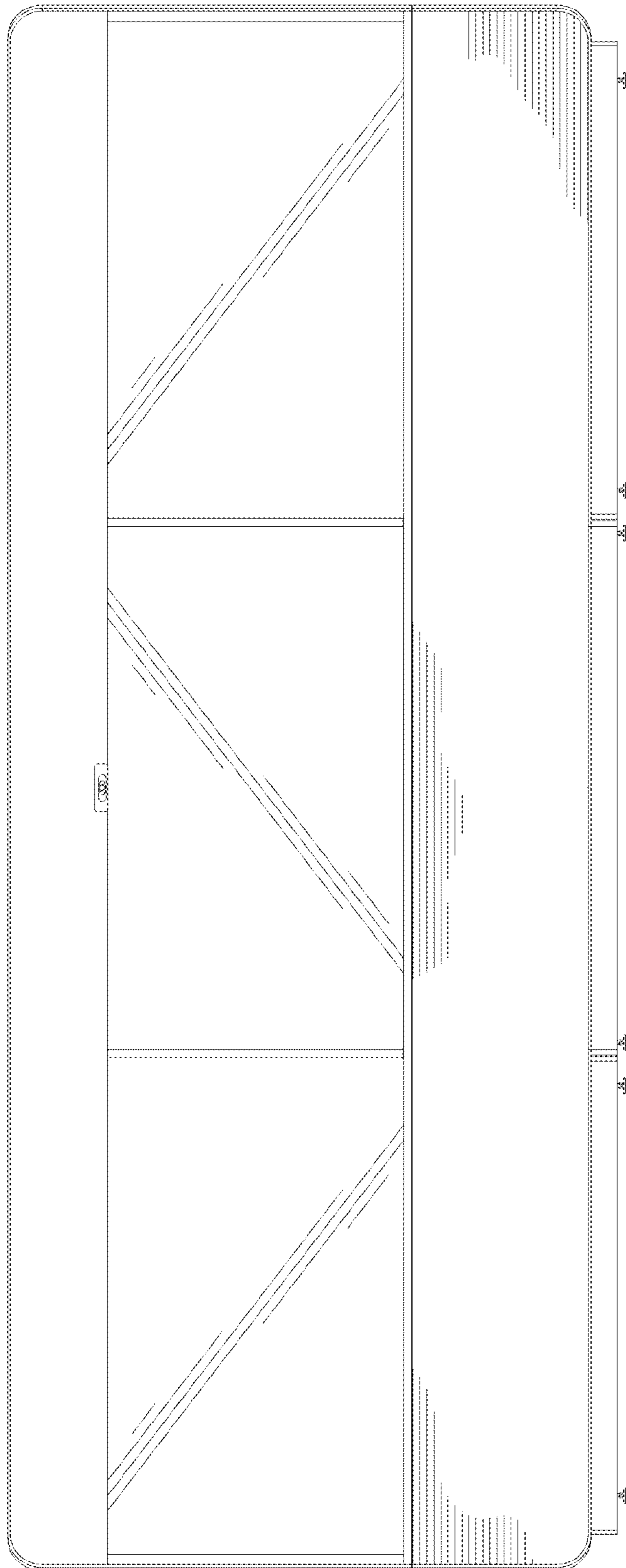


FIG.4

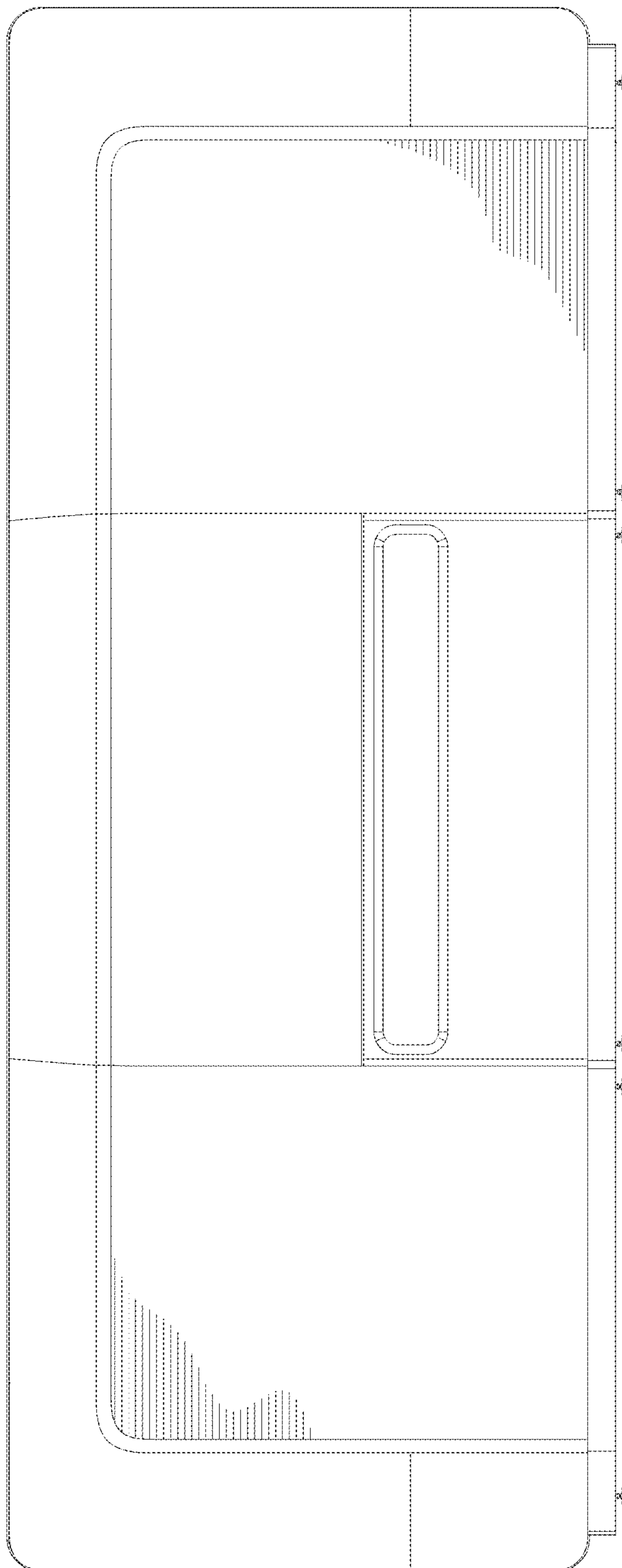


FIG.5

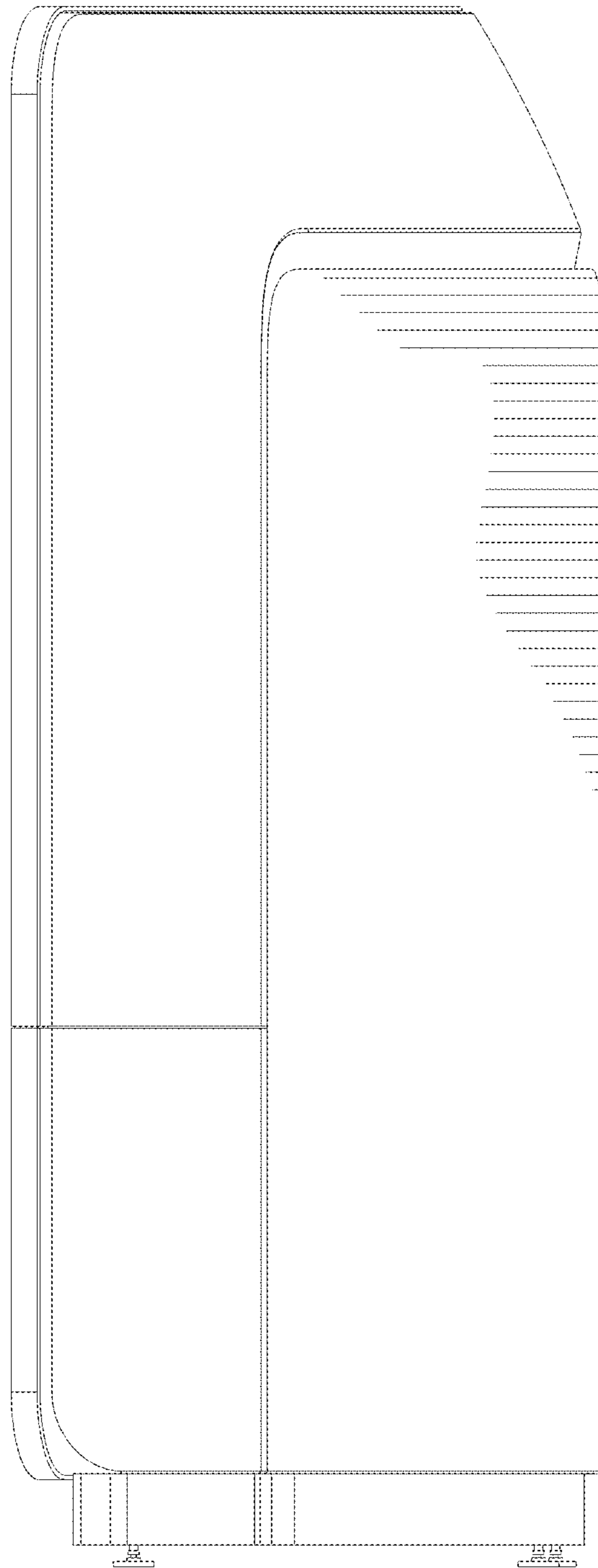


FIG.6



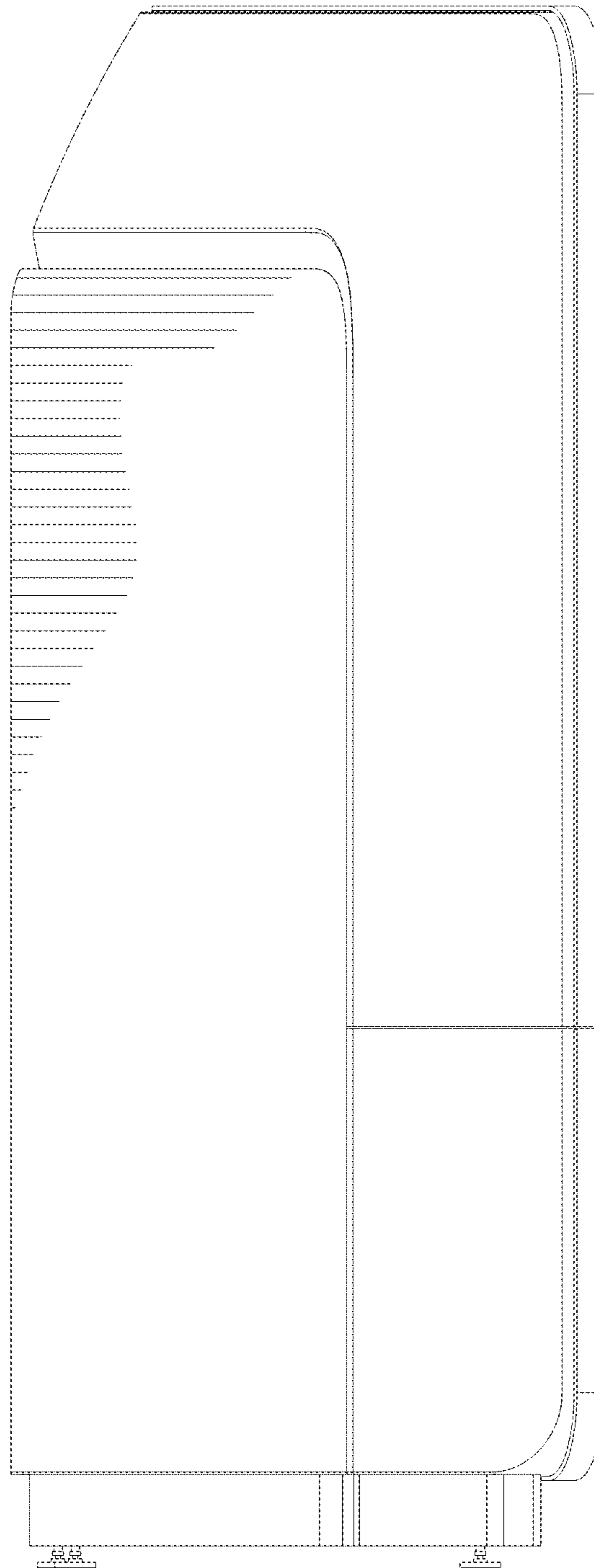


FIG.7