



US00D755744S

(12) **United States Design Patent**
Williams, Jr.

(10) **Patent No.:** **US D755,744 S**
(45) **Date of Patent:** **** May 10, 2016**

(54) **DECORATIVE TELEVISION FRAME**

(71) Applicant: **Carl Williams, Jr.**, St. Louis, MO (US)

(72) Inventor: **Carl Williams, Jr.**, St. Louis, MO (US)

(**) Term: **14 Years**

(21) Appl. No.: **29/506,851**

(22) Filed: **Oct. 21, 2014**

(51) **LOC (10) Cl.** **14-03**

(52) **U.S. Cl.**
USPC **D14/126**

(58) **Field of Classification Search**
USPC D14/125-134, 239, 371, 136, 374-377,
D14/440, 450, 448, 336, 342, 159; 312/7.2;
348/836, 838, 180, 184, 325, 739;
248/917-924, 465; 345/104, 133, 156,
345/168, 87, 173; D21/329, 515, 577, 622,
D21/333, 433, 448, 452, 450, 331, 505;
D10/15, 26; 446/484, 175, 356;
D6/477, 479, 300

CPC ... G06F 1/1601; G06F 1/1643; H05K 5/0004;
H05K 5/0017; H05K 5/02; H05K 5/0217

See application file for complete search history.

(56) **References Cited**

U.S. PATENT DOCUMENTS

D358,587 S * 5/1995 Solero D14/450
5,638,096 A 6/1997 Schwartz
D381,642 S 7/1997 Kiger
D454,882 S * 3/2002 Jung D14/450

D512,433 S * 12/2005 Korpai D14/450
D533,181 S 12/2006 Florindo
D613,075 S 4/2010 Denicola
7,808,563 B2 10/2010 Sanchez
7,812,891 B2 10/2010 Maruta
D712,855 S * 9/2014 Thompson et al. D14/126
D712,856 S * 9/2014 Thompson et al. D14/126
D712,857 S * 9/2014 Thompson et al. D14/126
D712,858 S * 9/2014 Thompson et al. D14/126
D712,859 S * 9/2014 Thompson et al. D14/126
D712,860 S * 9/2014 Thompson et al. D14/126
2006/0196094 A1 9/2006 Sturmthal

FOREIGN PATENT DOCUMENTS

WO WO2006084052 4/2007

* cited by examiner

Primary Examiner — Raphael Barkai

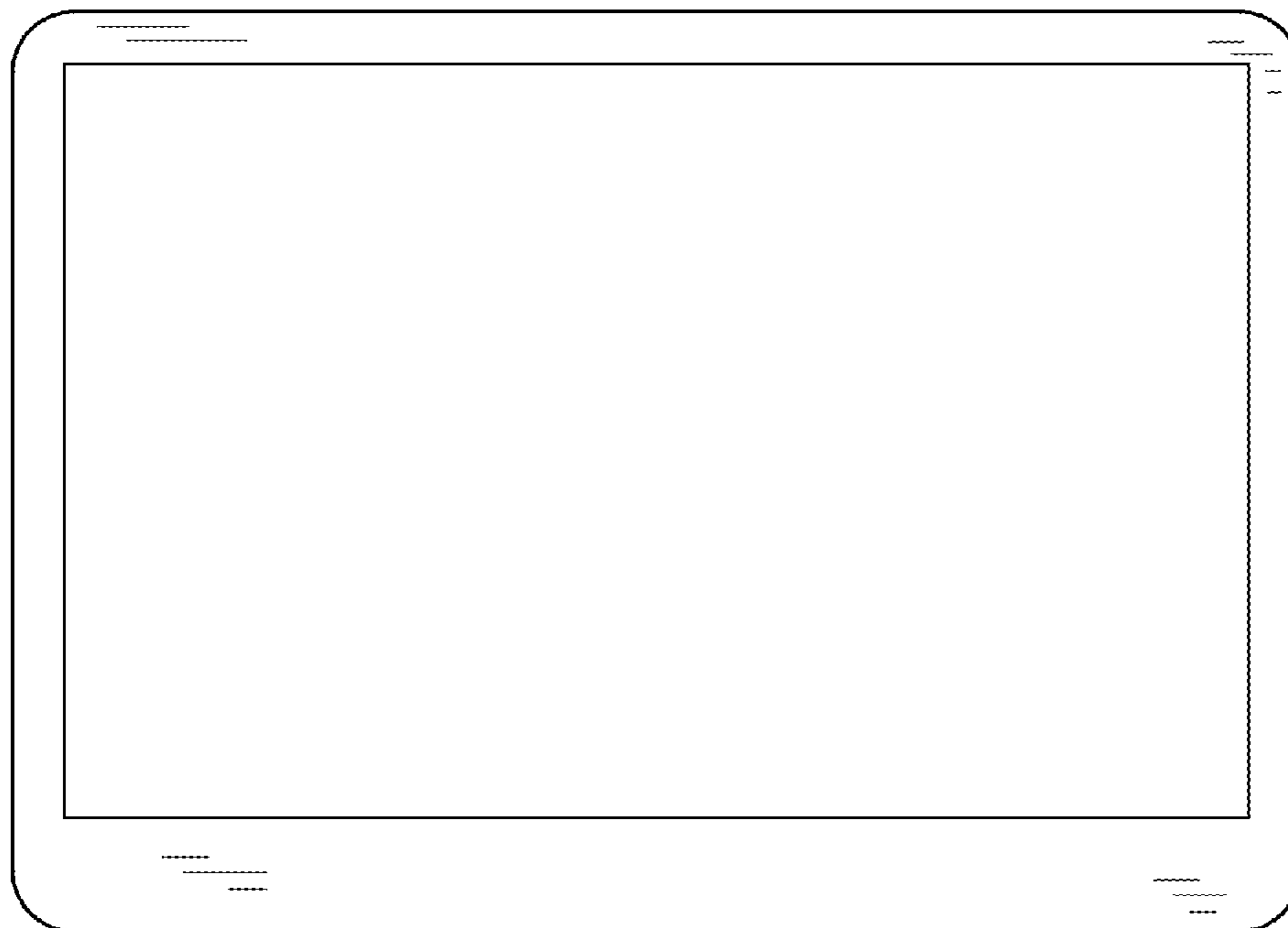
(57) **CLAIM**

I claim the ornamental design for a decorative television frame, as shown and described.

DESCRIPTION

FIG. 1 is a front view of the decorative television frame.
FIG. 2 is a rear view of the claimed design.
FIG. 3 is a side view of the claimed design.
FIG. 4 is a top view of the claimed design; and,
FIG. 5 is a perspective view of the claimed design in use. The television depicted in broken lines in FIG. 5 is environmental matter, and forms no part of the claimed design.

1 Claim, 3 Drawing Sheets



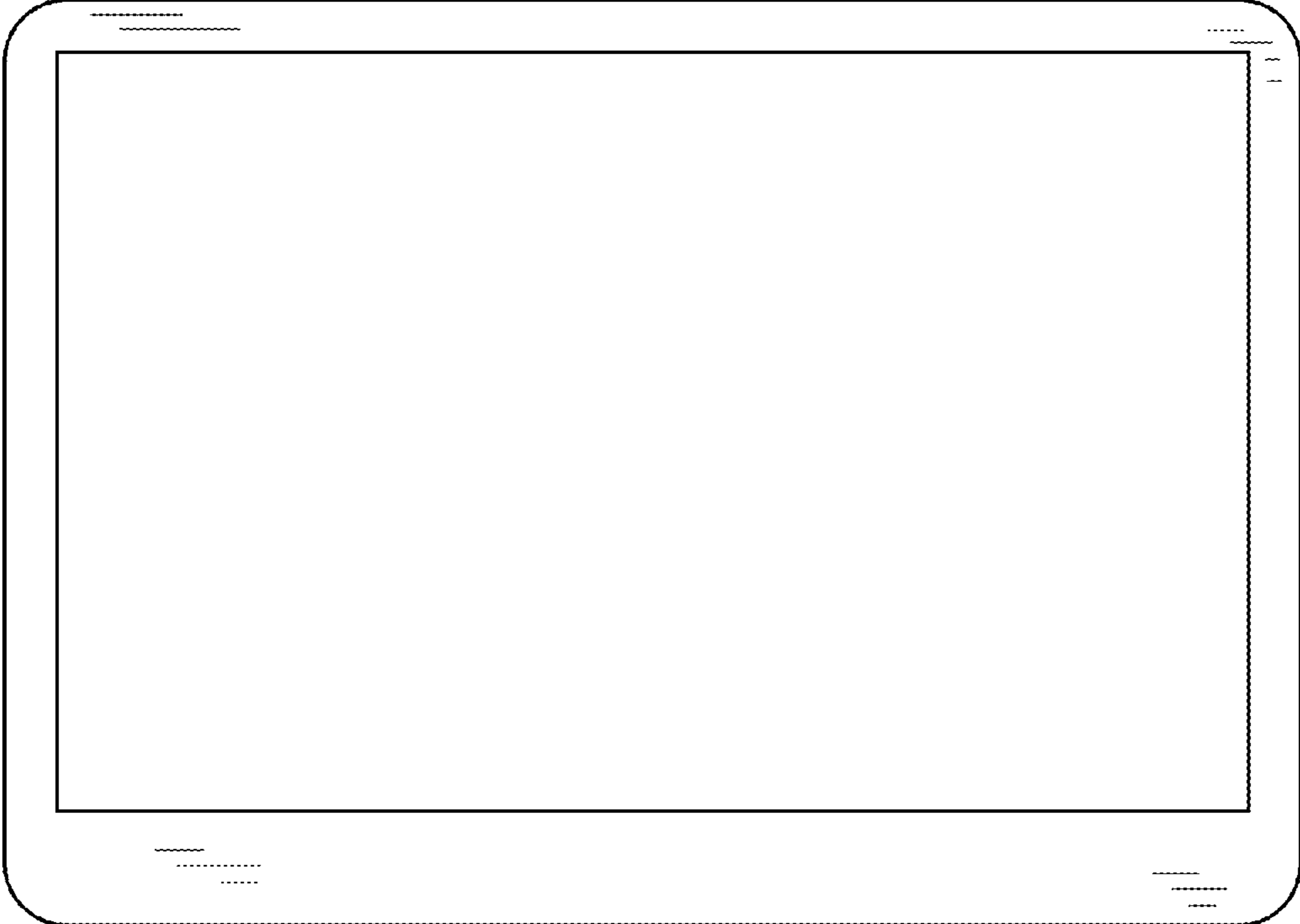


FIG. 1

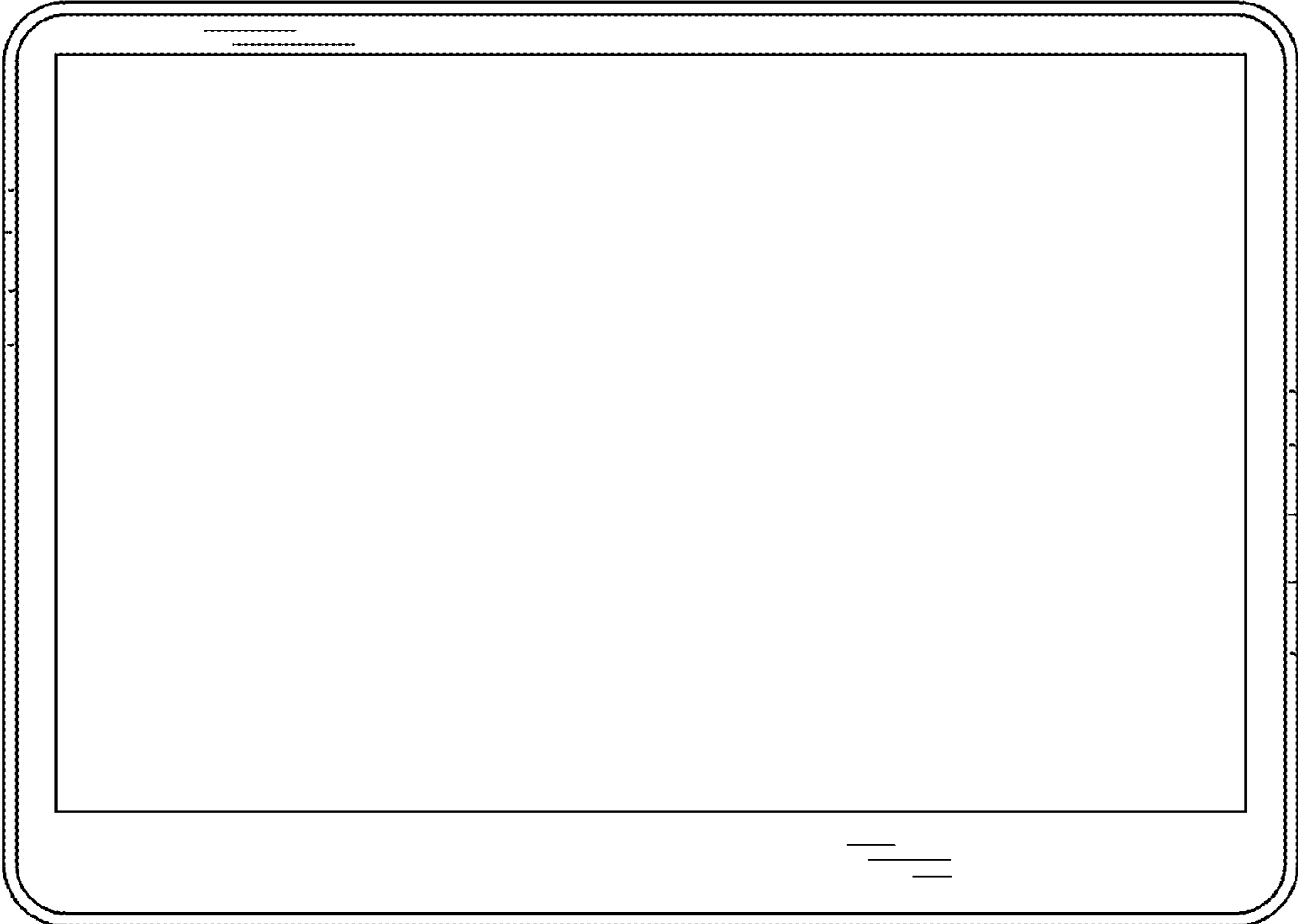


FIG. 2



FIG. 3



FIG. 4

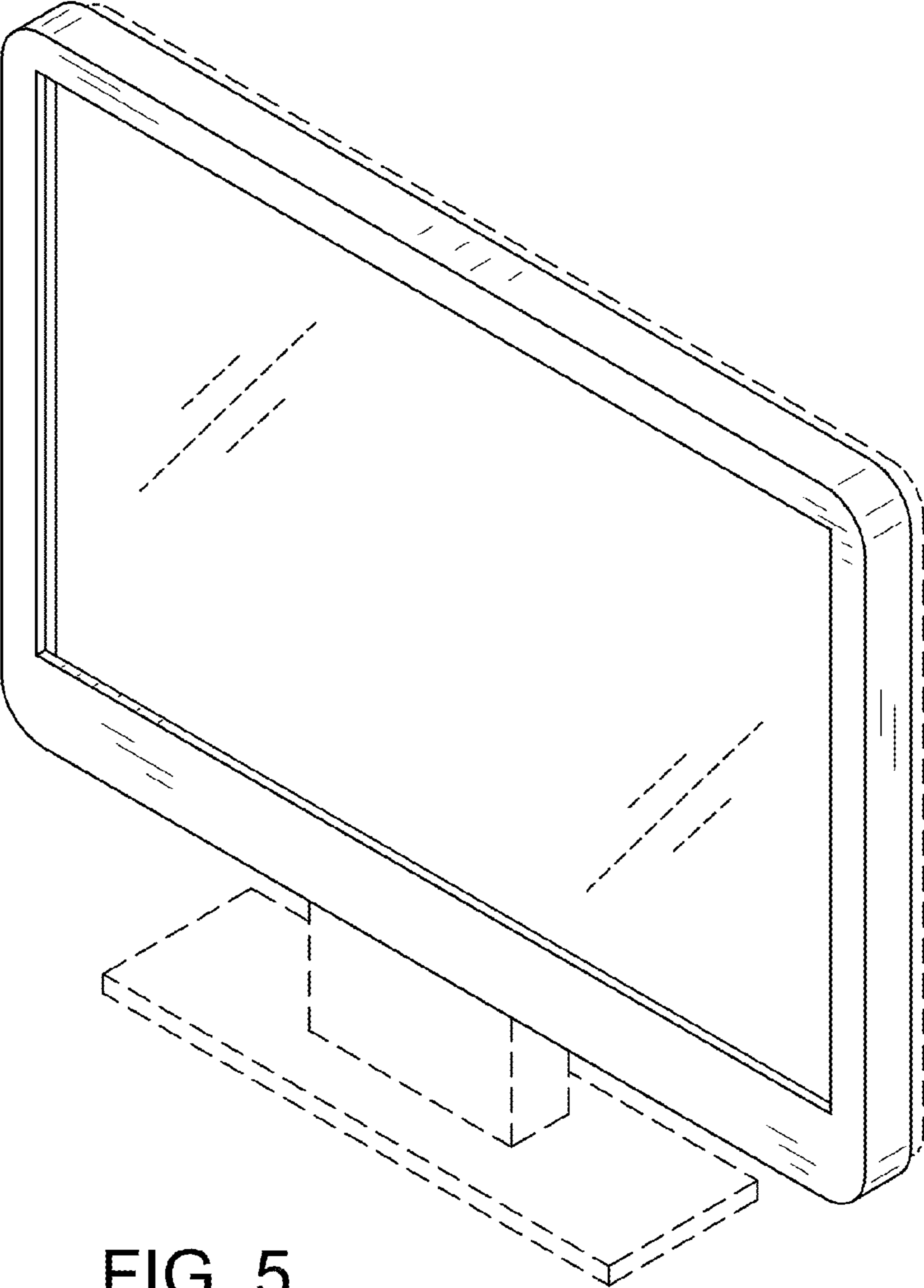


FIG. 5