



US00D755738S

(12) **United States Design Patent**
Altonen et al.

(10) **Patent No.:** **US D755,738 S**

(45) **Date of Patent:** **** May 10, 2016**

(54) **TABLETOP REMOTE LOAD CONTROL DEVICE**

(71) Applicant: **Lutron Electronics Co., Inc.**,
Coopersburg, PA (US)

(72) Inventors: **Gregory Altonen**, Easton, PA (US);
Erica L. Clymer, Northampton, PA (US);
Elliot G. Jacoby, Glenside, PA (US);
Noel Mayo, Philadelphia, PA (US);
Joel S. Spira, Coopersburg, PA (US)

(73) Assignee: **LUTRON ELECTRONICS CO., INC.**,
Coopersburg, PA (US)

(**) Term: **15 Years**

(21) Appl. No.: **29/535,122**

(22) Filed: **Aug. 4, 2015**

Related U.S. Application Data

(62) Division of application No. 29/488,247, filed on Apr. 17, 2014.

(51) **LOC (10) Cl.** **14-03**

(52) **U.S. Cl.**
USPC **D13/168**

(58) **Field of Classification Search**

USPC D13/164, 168, 174; D14/218
CPC H03J 1/0025; H03J 9/00; H03J 9/02;
H03J 9/04; H03J 9/06; H01H 9/18; H01H
9/0235; H04B 1/202; H05B 33/0803; H05B
33/0863; H05B 37/02; H05B 37/0272; H05B
39/088; H05B 39/041; G05B 11/01; G05B
2219/2642; G08C 17/00; G08C 17/02; G08C
19/28; G08C 23/04; G08C 2201/20; G08C
2201/30; G08C 2201/33; G08C 2201/40;
G08C 2201/91; G08C 2201/92

See application file for complete search history.

(56) **References Cited**

U.S. PATENT DOCUMENTS

D330,013 S 10/1992 Wunsch
D348,435 S 7/1994 Farinelli et al.
D397,996 S 9/1998 Smith
6,120,262 A 9/2000 McDonough et al.

(Continued)

OTHER PUBLICATIONS

U.S. Appl. No. 29/535,100, filed Aug. 4, 2015, Altonen et al.

(Continued)

Primary Examiner — Selina Sikder

(74) *Attorney, Agent, or Firm* — Mark E. Rose; Philip N. Smith

(57) **CLAIM**

We claim the ornamental design for a tabletop remote load control device, as shown and described.

DESCRIPTION

FIG. 1 is a perspective view of a tabletop remote load control device according to a first embodiment of our new design.

FIG. 2 is a front view thereof.

FIG. 3 is a left side view thereof.

FIG. 4 is a right side view thereof.

FIG. 5 is a top view thereof.

FIG. 6 is a bottom view thereof.

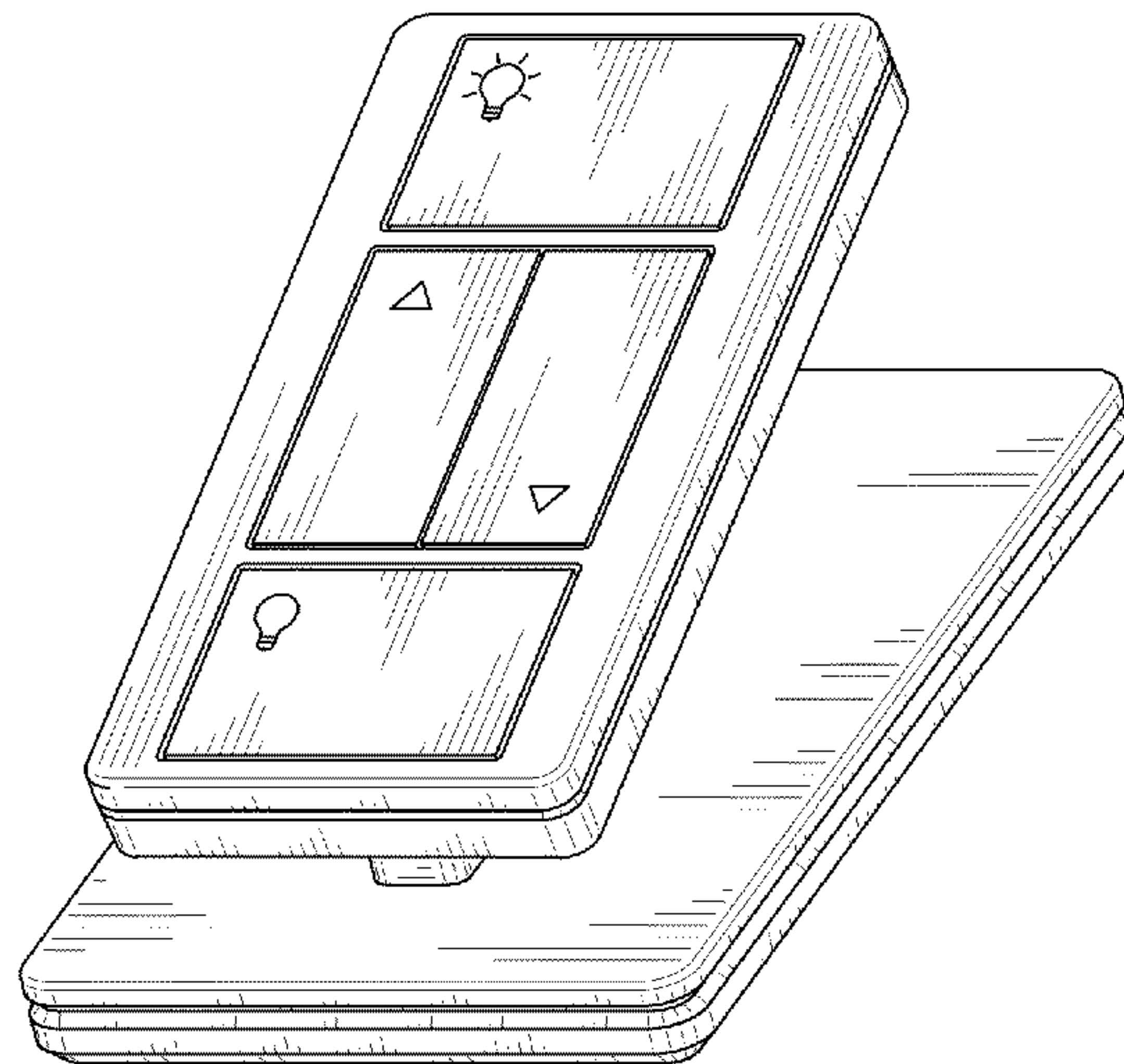
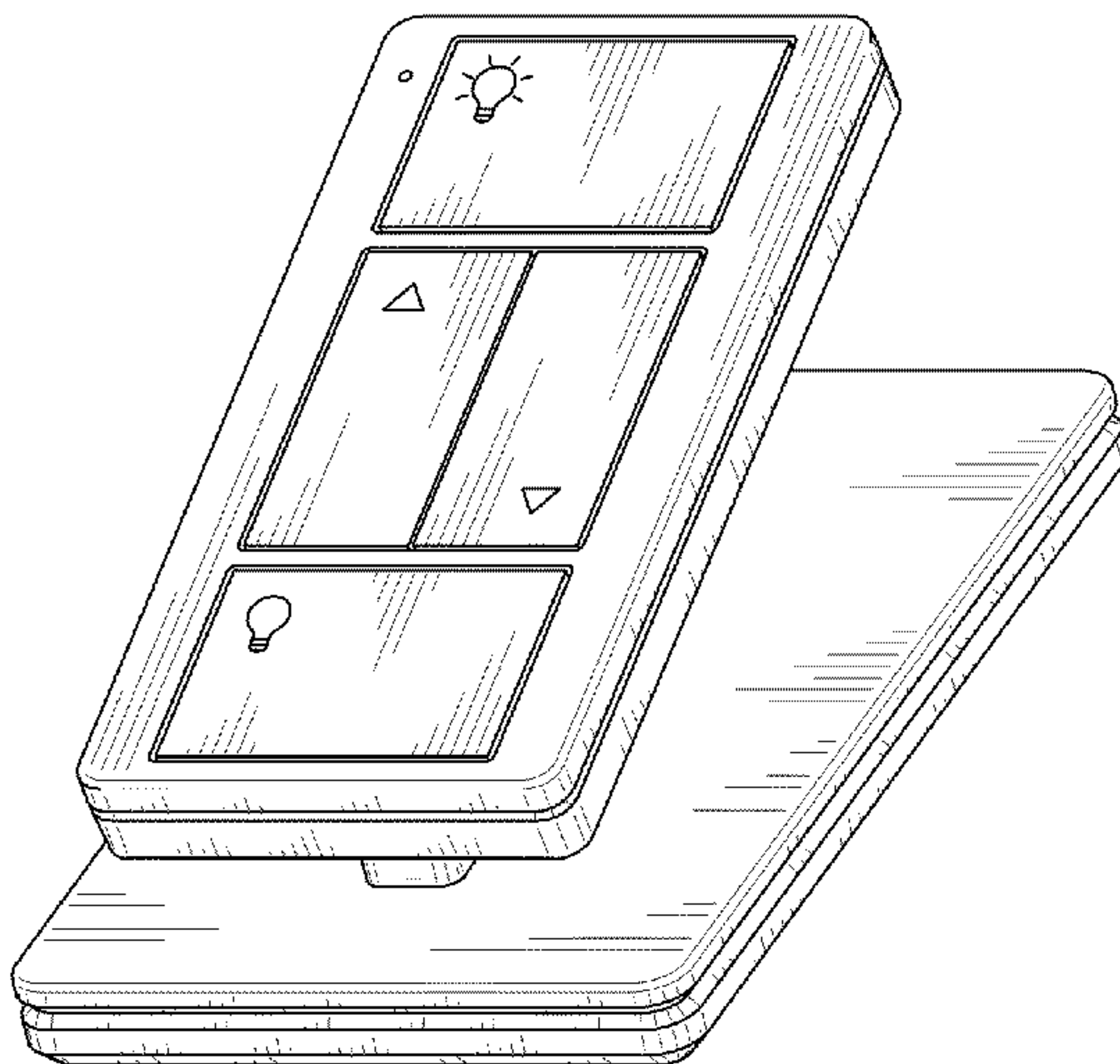
FIG. 7 is a perspective view of a tabletop remote load control device according to a second embodiment of our new design.

FIG. 8 is a front view thereof; and,

FIG. 9 is a bottom view thereof, the left side, right side, and top views, respectively, of the second embodiment being identical to the left side, right side, and top views of the first embodiment.

The rear views form no part of the design and are omitted.

1 Claim, 7 Drawing Sheets



(56)

References Cited

U.S. PATENT DOCUMENTS

D494,489 S 8/2004 Tulloch
 D496,335 S 9/2004 Spira
 6,992,612 B2 1/2006 Pessina et al.
 D546,295 S 7/2007 Marchetto et al.
 D556,700 S 12/2007 Igarashi
 7,312,695 B2 12/2007 Lehmer et al.
 D592,607 S 5/2009 Felegy et al.
 D592,608 S * 5/2009 Felegy, Jr. D13/168
 D592,609 S * 5/2009 Felegy, Jr. D13/168
 D614,146 S * 4/2010 Felegy, Jr. D13/168
 D614,147 S * 4/2010 Snyder D13/168
 D615,046 S * 5/2010 Felegy, Jr. D13/168
 D616,836 S * 6/2010 Felegy, Jr. D13/168
 D619,105 S * 7/2010 Felegy, Jr. D13/168
 D619,544 S * 7/2010 Petrillo D13/168
 D619,971 S * 7/2010 Felegy, Jr. D13/168
 D619,972 S * 7/2010 Felegy, Jr. D13/168
 D625,274 S * 10/2010 Felegy, Jr. D13/168
 D626,092 S * 10/2010 Clymer D13/168
 D627,307 S * 11/2010 Petrillo D13/168
 D627,308 S * 11/2010 Snyder D13/168
 D631,850 S * 2/2011 Jacoby D13/168
 D631,852 S * 2/2011 Clymer D13/168
 D631,854 S 2/2011 Blair et al.
 D631,855 S * 2/2011 Blair D13/168
 D632,263 S 2/2011 Lin et al.
 D633,874 S 3/2011 Feldstein et al.
 D636,739 S * 4/2011 Petrillo D13/168
 D638,375 S 5/2011 Clymer et al.
 D638,805 S 5/2011 Clymer et al.
 D638,806 S 5/2011 Kim et al.
 D640,209 S * 6/2011 Felegy, Jr. D13/168
 D641,718 S 7/2011 Sakai
 D646,232 S 10/2011 Felegy et al.
 D647,066 S * 10/2011 Jacoby D13/168
 D649,123 S 11/2011 Jacoby et al.
 D649,124 S 11/2011 Jacoby et al.
 D655,254 S * 3/2012 Jacoby D13/168
 D658,594 S * 5/2012 Felegy, Jr. D13/168
 D661,664 S * 6/2012 Felegy, Jr. D13/168
 8,330,638 B2 12/2012 Altonen et al.
 D679,261 S * 4/2013 McDonald D13/168
 D680,084 S * 4/2013 McDonald D13/168
 D684,543 S * 6/2013 Felegy, Jr. D13/168
 D687,390 S 8/2013 McDonald et al.
 D692,399 S * 10/2013 Felegy, Jr. D13/168

D694,197 S * 11/2013 Felegy, Jr. D13/168
 D703,623 S 4/2014 Altonen et al.
 D704,151 S * 5/2014 Jacoby D13/168
 D704,152 S 5/2014 Altonen et al.
 D704,153 S * 5/2014 Altonen D13/168
 D711,838 S 8/2014 Spira
 D713,360 S 9/2014 Spira
 D713,361 S * 9/2014 Spira D13/168
 D733,667 S * 7/2015 Jacoby D13/168
 D733,668 S 7/2015 Altonen et al.
 D736,718 S 8/2015 Spira
 D737,222 S 8/2015 Altonen et al.
 D737,224 S * 8/2015 Spira D13/168
 D738,320 S * 9/2015 Altonen D13/168
 D738,321 S 9/2015 Spira
 D738,328 S 9/2015 Altonen et al.
 D739,830 S 9/2015 Spira
 2005/0231134 A1 10/2005 Sid
 2008/0111491 A1 5/2008 Spira
 2009/0251352 A1 * 10/2009 Altonen H01H 9/025
 341/176
 2011/0266122 A1 11/2011 Zaharchuk et al.
 2011/0279300 A1 11/2011 Mosebrook
 2012/0013450 A1 1/2012 Lee et al.
 2012/0286940 A1 11/2012 Carmen et al.
 2013/0141009 A1 6/2013 Jin et al.
 2013/0328500 A1 12/2013 Toda
 2013/0334969 A1 12/2013 Ishikita

OTHER PUBLICATIONS

U.S. Appl. No. 29/535,125, filed Aug. 4, 2015, Altonen et al.
 U.S. Appl. No. 29/534,801, filed Jul. 31, 2015, Altonen et al.
 U.S. Appl. No. 29/534,802, filed Jul. 31, 2015, Altonen et al.
 U.S. Appl. No. 29/534,805, filed Jul. 31, 2015, Altonen et al.
 U.S. Appl. No. 29/533,925, filed Jul. 23, 2015, Altonen et al.
 U.S. Appl. No. 29/533,927, filed Jul. 23, 2015, Altonen et al.
 U.S. Appl. No. 29/533,935, filed Jul. 23, 2015, Altonen et al.
 U.S. Appl. No. 29/531,853, filed Jun. 30, 2015, Altonen et al.
 U.S. Appl. No. 29/531,858, filed Jun. 30, 2015, Altonen et al.
 U.S. Appl. No. 29/531,864, filed Jun. 30, 2015, Altonen et al.
 U.S. Appl. No. 29/536,541, filed Aug. 18, 2015, Joel S. Spira.
 U.S. Appl. No. 29/534,799, filed Jul. 31, 2015, Joel S. Spira.
 U.S. Appl. No. 29/531,871, filed Jun. 30, 2015, Joel S. Spira.
 U.S. Appl. No. 29/537,592, filed Aug. 27, 2015, Joel S. Spira.

* cited by examiner

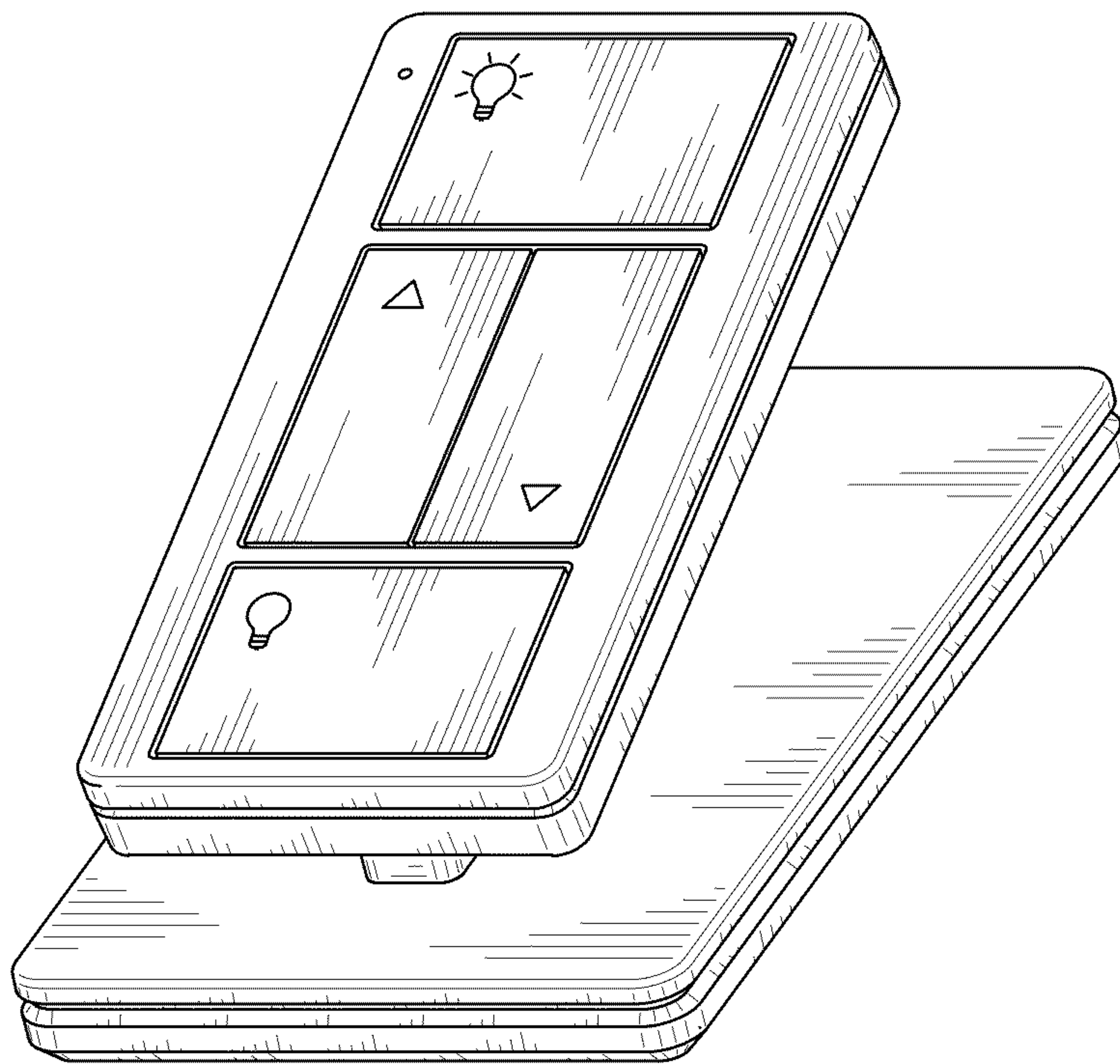


Fig. 1

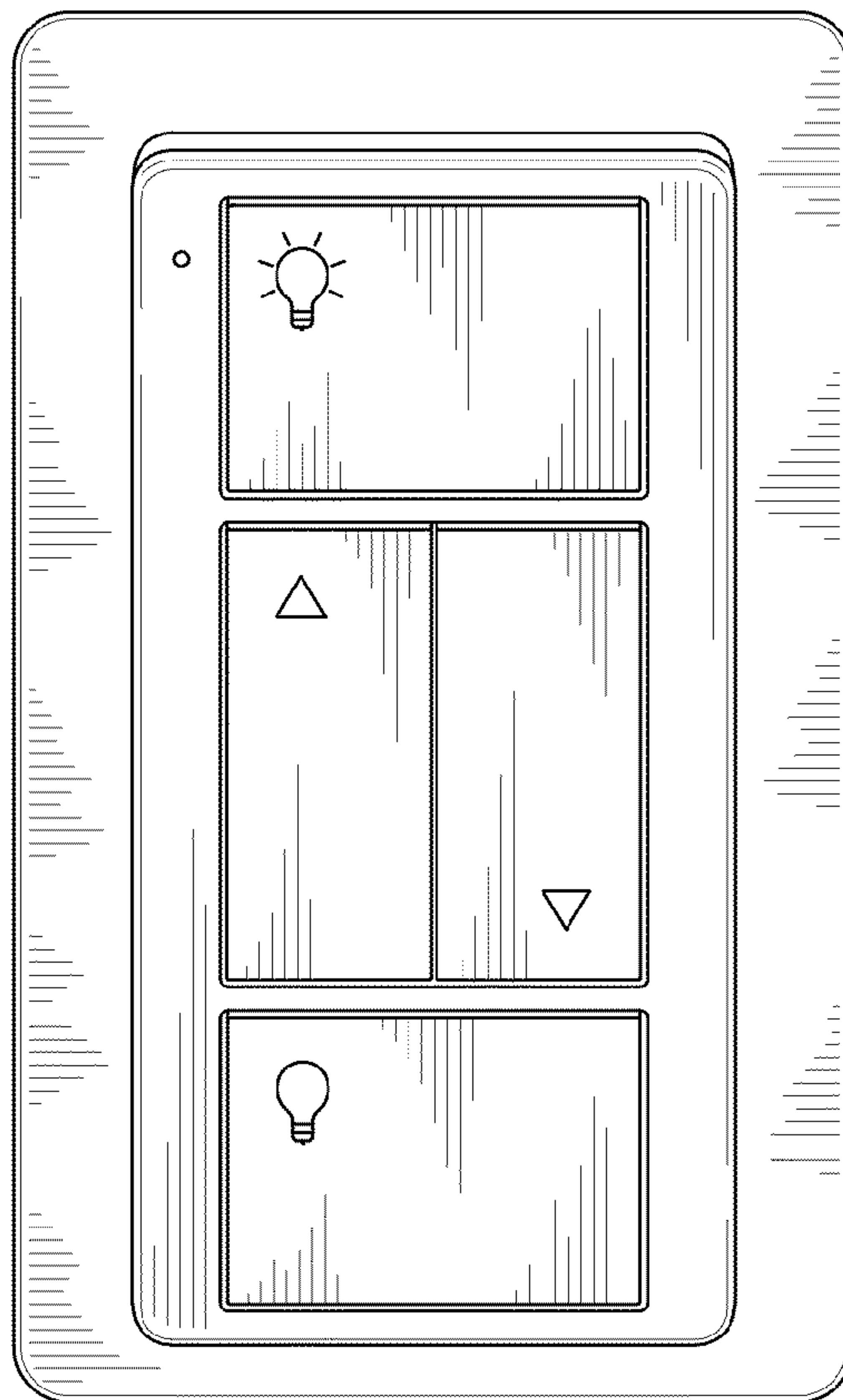


Fig. 2

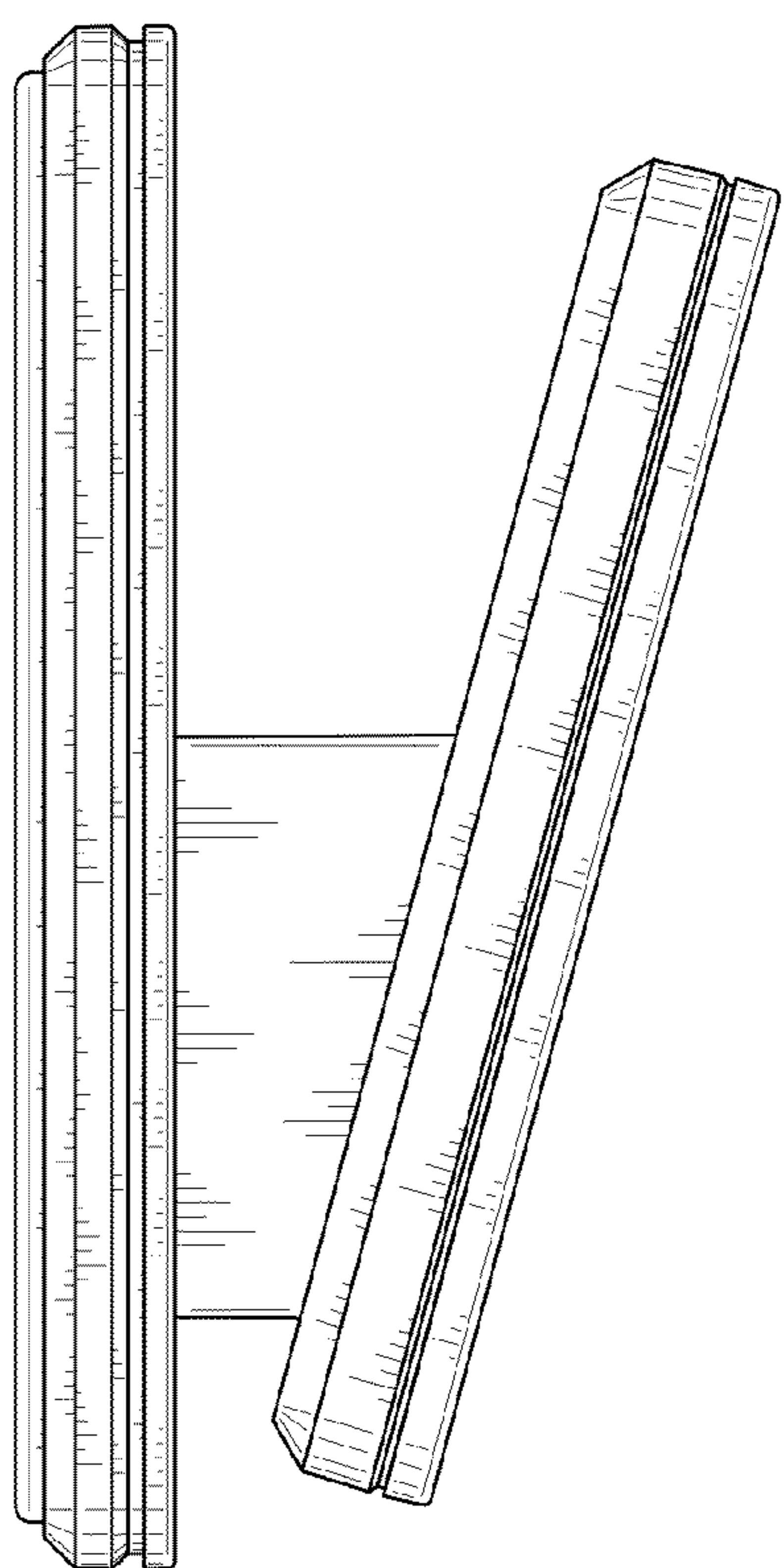


Fig. 3

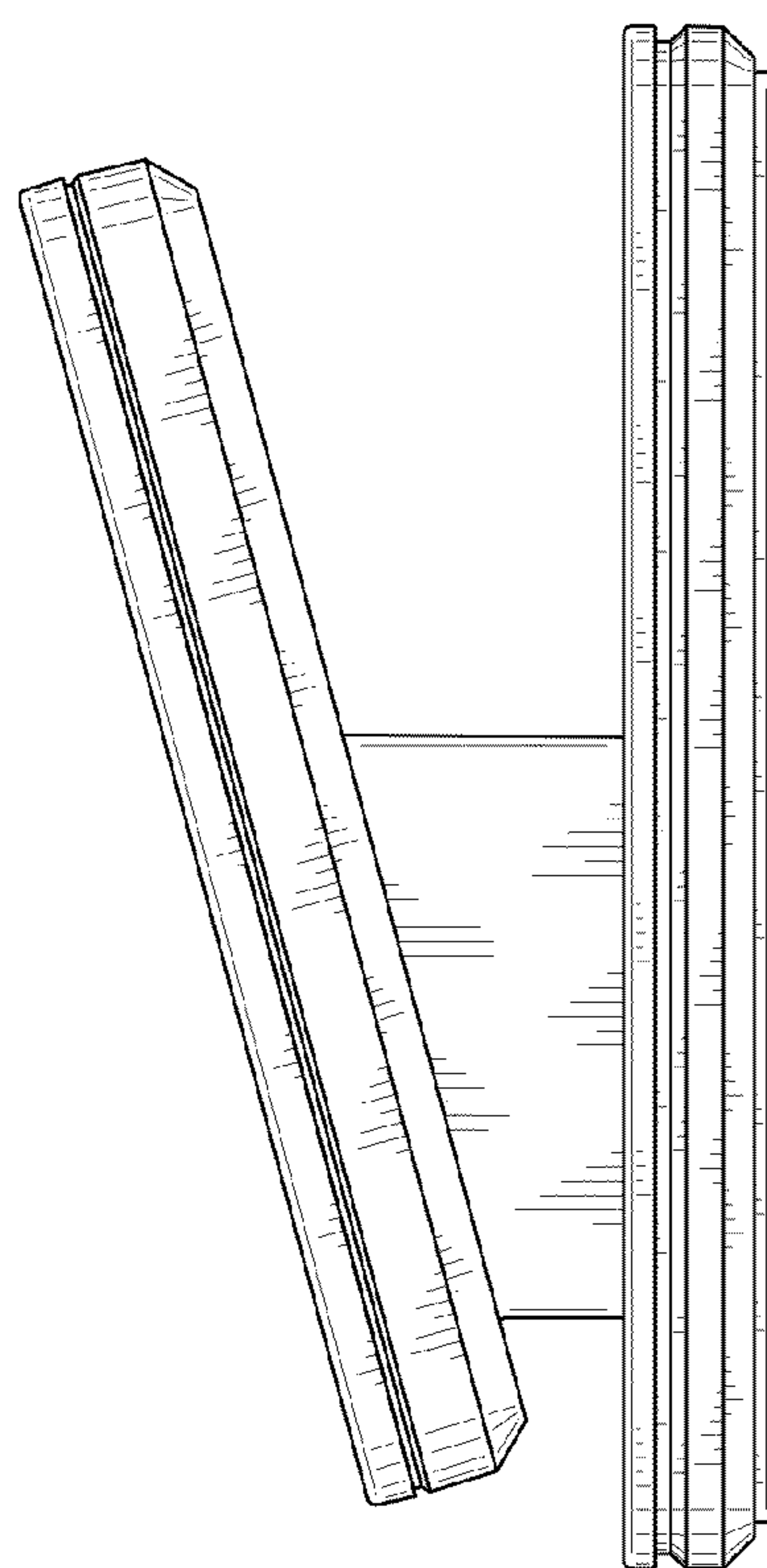


Fig. 4

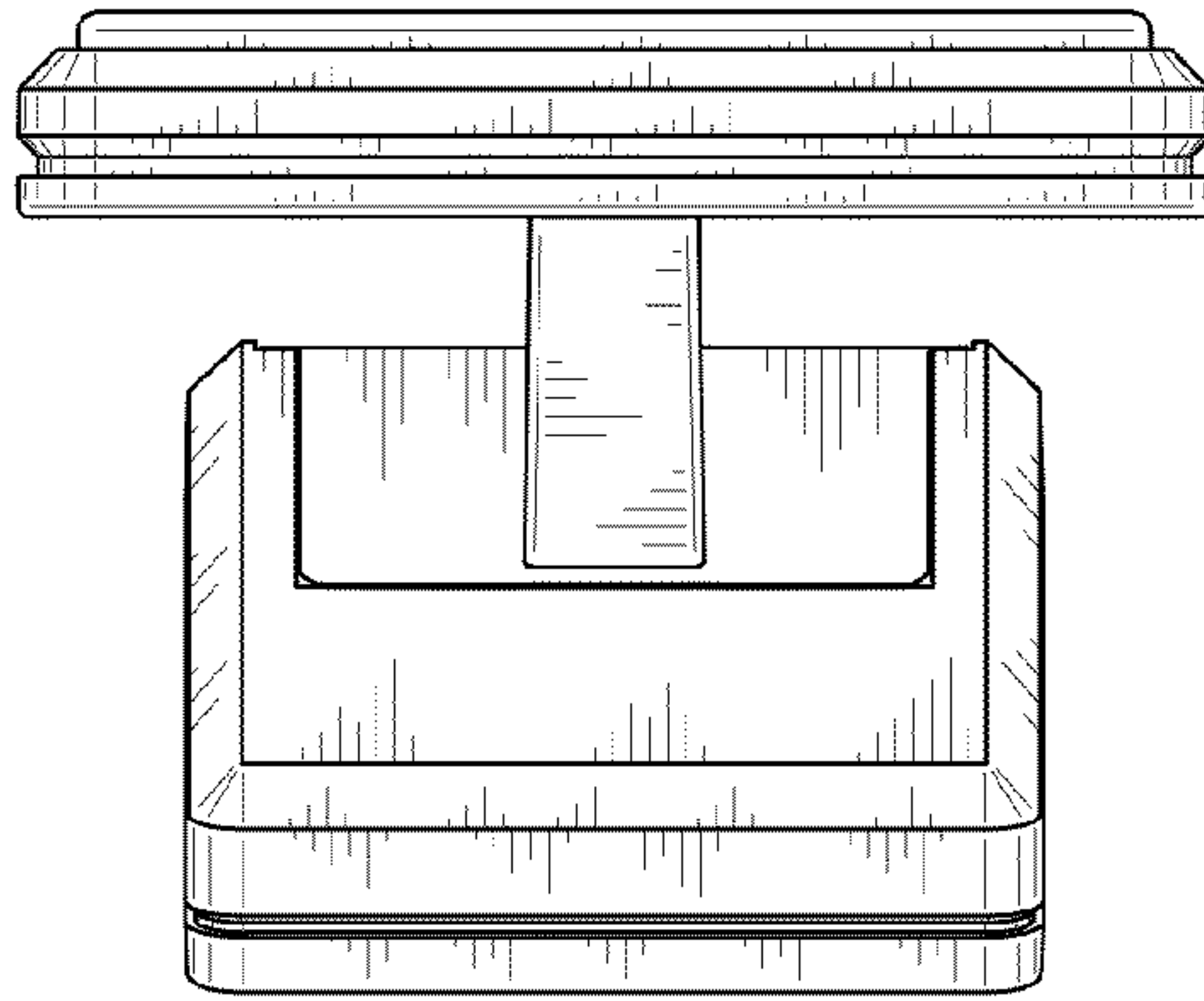


Fig. 5

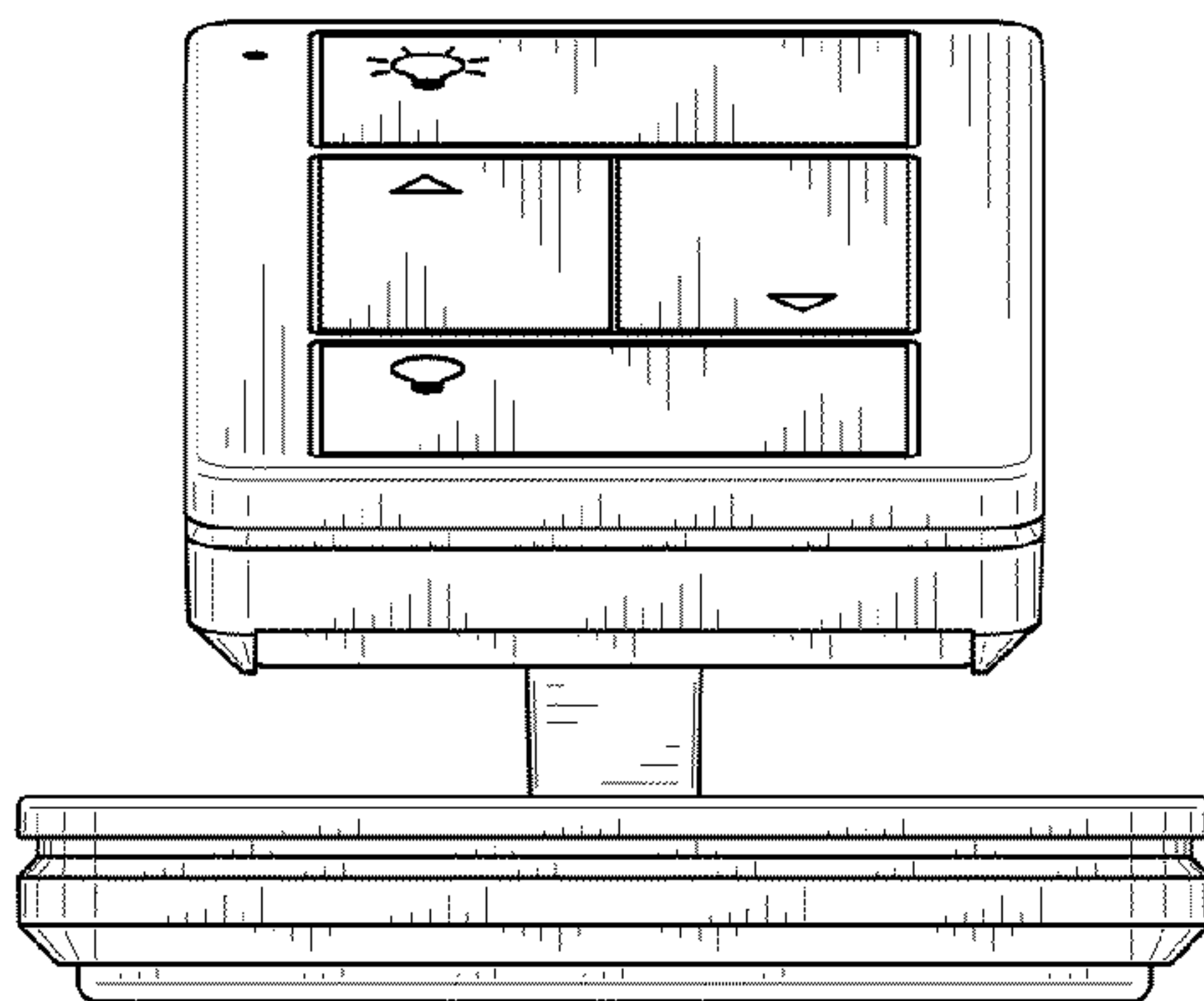


Fig. 6

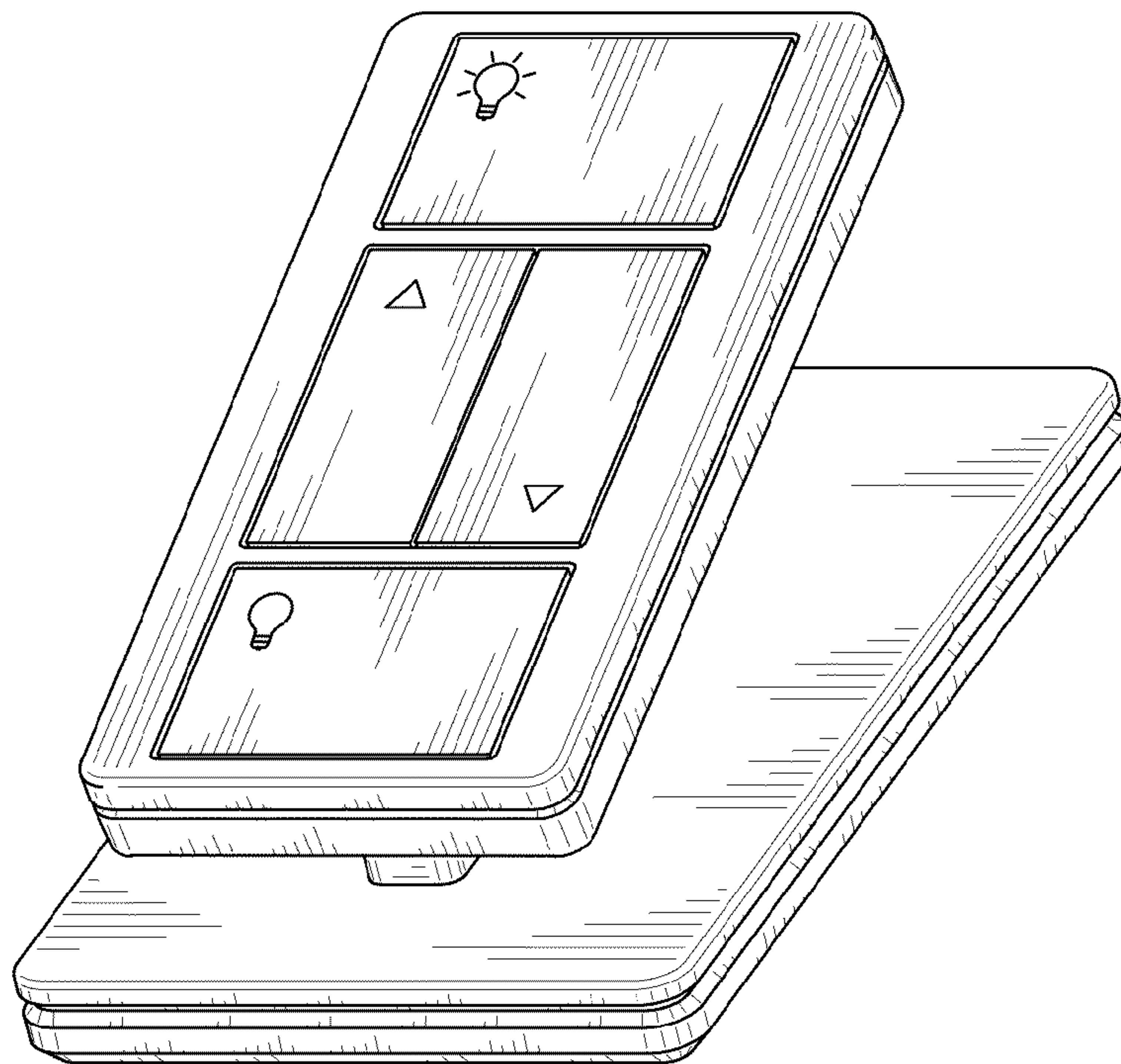


Fig. 7

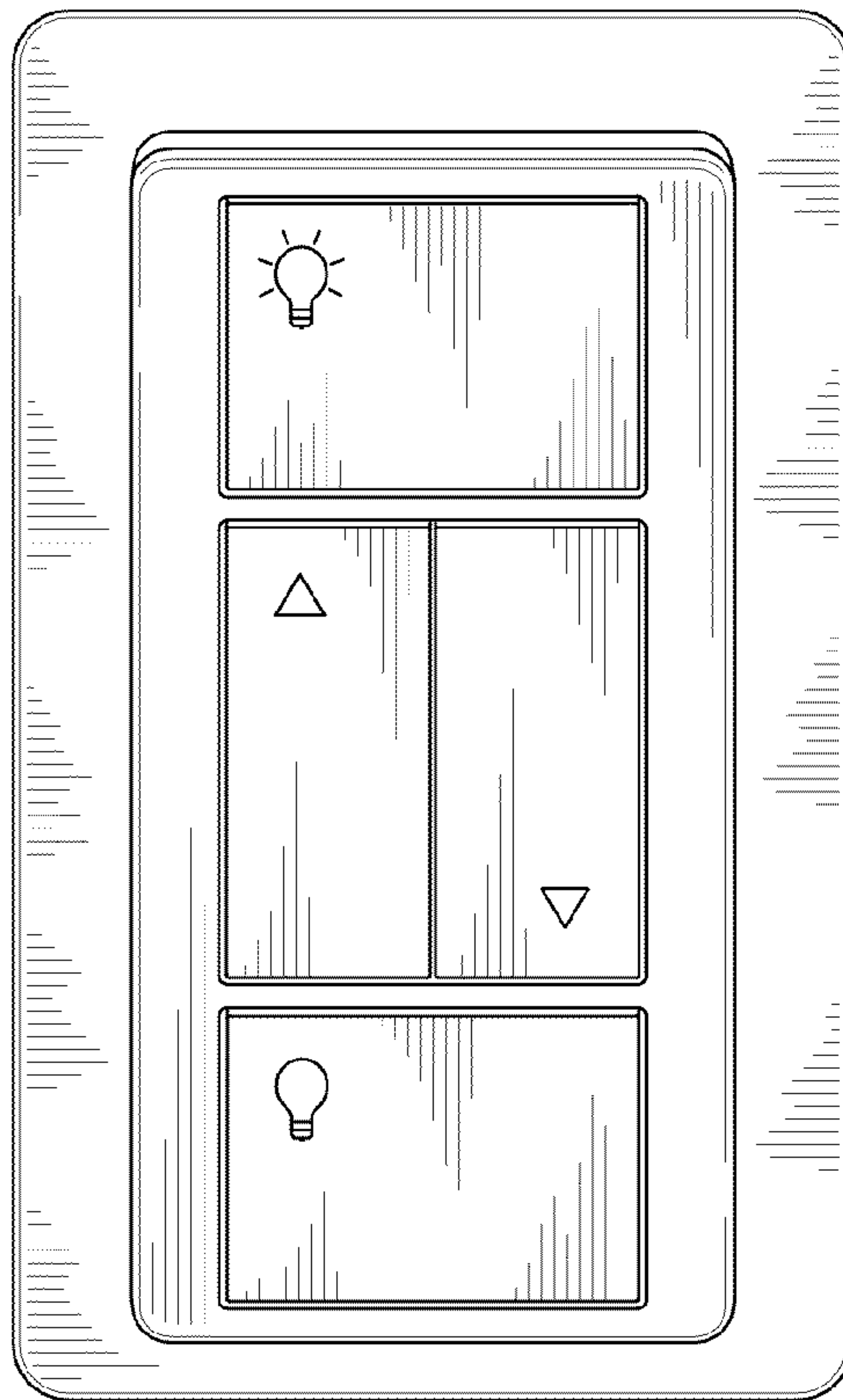


Fig. 8

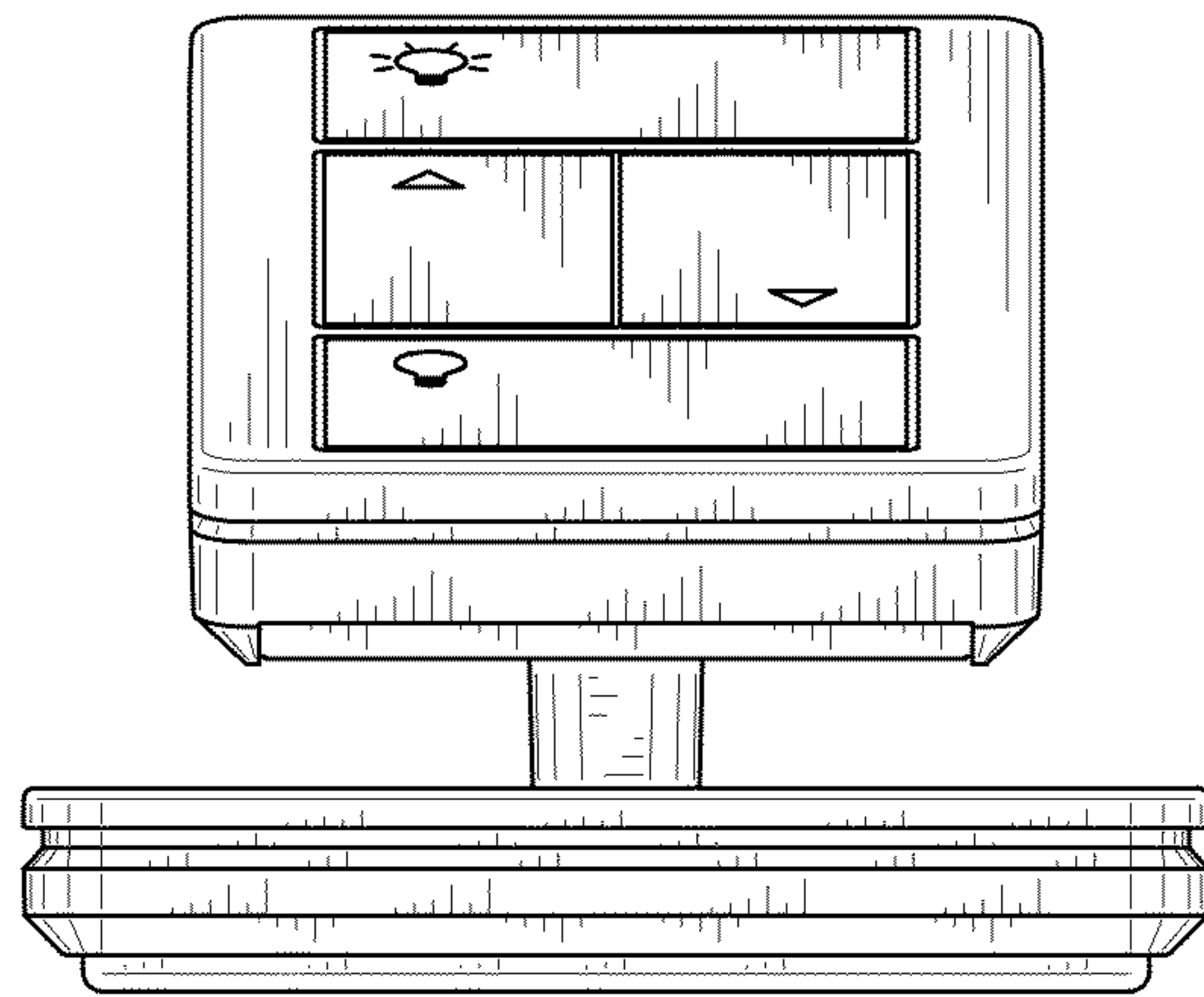


Fig. 9