

US00D755728S

(12) **United States Design Patent**  
**Smith**

(10) **Patent No.:** **US D755,728 S**  
(45) **Date of Patent:** **\*\* May 10, 2016**

(54) **METAL CLAD/ARMORED CLAD  
ELECTRICAL CABLE TO ELECTRICAL  
CONDUIT TRANSITION FITTING HOUSING**

4,899,401 A 2/1990 Savarese  
5,055,064 A 10/1991 Imaizumi et al.  
D339,793 S \* 9/1993 Nardi ..... D13/149  
5,288,947 A 2/1994 Stewing  
5,532,436 A 7/1996 Moyers et al.

(71) Applicant: **Bridgeport Fittings, Inc.**, Stratford, CT  
(US)

(Continued)

(72) Inventor: **Lawrence J. Smith**, Stamford, CT (US)

FOREIGN PATENT DOCUMENTS

(73) Assignee: **BRIDGEPORT FITTINGS, INC.**,  
Stratford, CT (US)

JP 5196960 B2 5/2013  
WO 03/094321 A1 11/2003

(\*\*) Term: **14 Years**

OTHER PUBLICATIONS

(21) Appl. No.: **29/507,124**

“MC4 Y Connectors;” www.ebay.com; http://www.ebay.com/bhp/  
mc4-y-connectors; Apr. 21, 2014; pp. 1-13.

(22) Filed: **Oct. 24, 2014**

(Continued)

(51) **LOC (10) Cl.** ..... **13-03**

*Primary Examiner* — Derrick Holland

(52) **U.S. Cl.**  
USPC ..... **D13/155**

(74) *Attorney, Agent, or Firm* — Ware, Fressola, Maguire &  
Barber LLP

(58) **Field of Classification Search**  
USPC ..... D13/155, 133, 146, 149, 151, 153, 154,  
D13/156, 184, 199; D8/349, 354, 356, 394,  
D8/396; D23/259, 262, 386; 174/68.1,  
174/68.3, 145, 154, 158 R, 650, 655, 656,  
174/657, 659, 665, 666; 439/142, 319, 544,  
439/552, 709, 724, 798, 810, 811, 814  
CPC ..... H02G 3/04; H02G 3/06; H02G 3/18;  
H02G 3/22; H01R 9/05; H01R 4/00; H01R  
13/44; H01R 13/52; H01R 13/60; H01R  
13/504

(57) **CLAIM**

The ornamental design for a metal clad/armored clad electrical cable to electrical conduit transition fitting housing, as shown and described.

See application file for complete search history.

**DESCRIPTION**

FIG. 1 is a front perspective view of the metal clad/armored clad electrical cable to electrical conduit transition fitting housing of my design;  
FIG. 2 is a right side view thereof;  
FIG. 3 is a left side view thereof;  
FIG. 4 is a top view thereof;  
FIG. 5 is a bottom view thereof;  
FIG. 6 is a front view thereof;  
FIG. 7 is a rear view thereof; and,  
FIG. 8 is a right side view thereof, shown in environmental use.

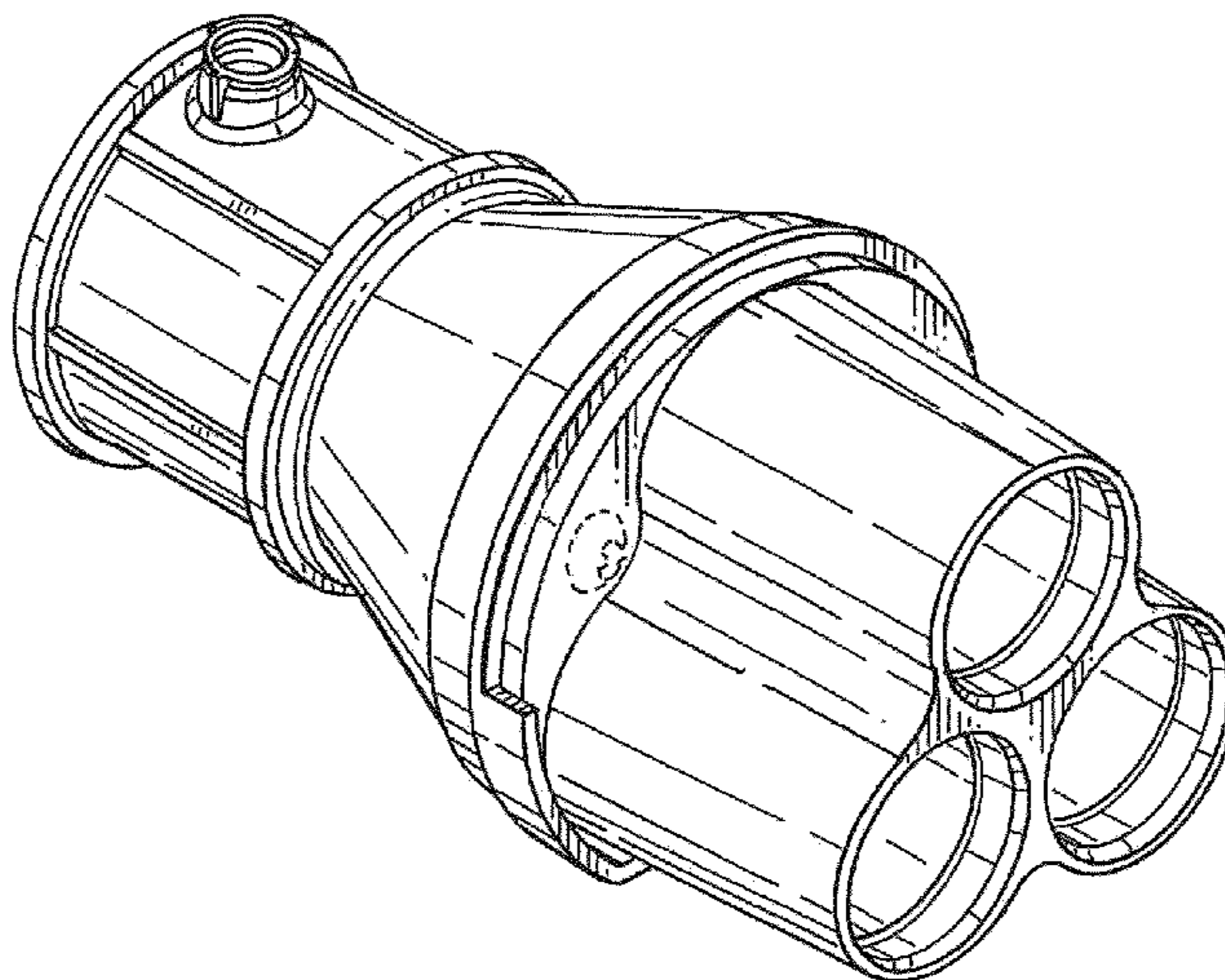
The broken lines shown represent unclaimed subject matter and form no part of the claimed design.

(56) **References Cited**

U.S. PATENT DOCUMENTS

2,195,933 A 4/1940 Marlborough et al.  
D187,594 S 4/1960 Stover  
D187,792 S 5/1960 Stover  
2,962,542 A 11/1960 Witt  
3,187,088 A 6/1965 Warner  
3,411,163 A 11/1968 Myers  
4,723,054 A 2/1988 Billet

**1 Claim, 5 Drawing Sheets**



(56)

References Cited

U.S. PATENT DOCUMENTS

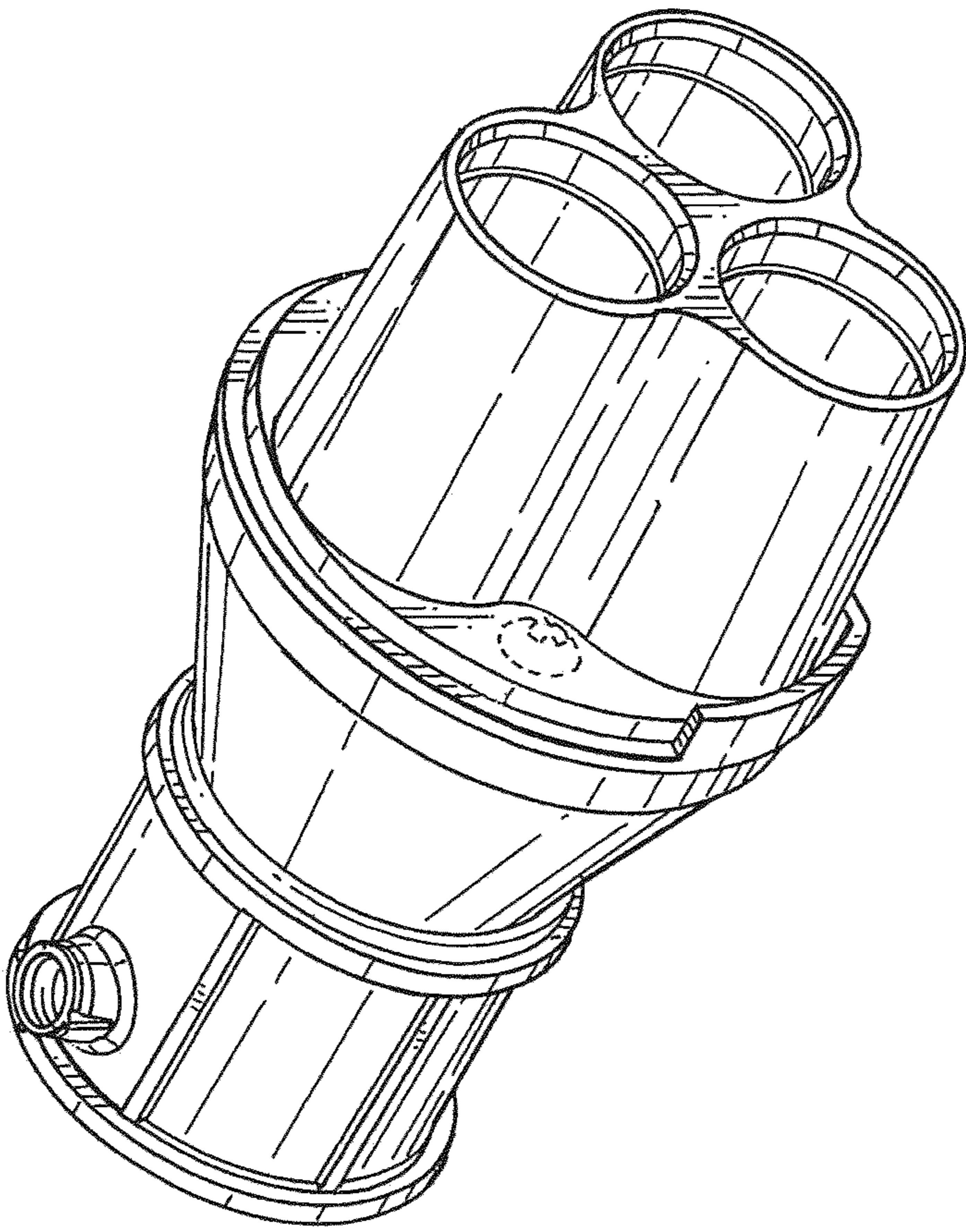
D381,630 S \* 7/1997 Garcia ..... D13/152  
 5,714,715 A 2/1998 Sundhararajan et al.  
 5,920,035 A 7/1999 Haney et al.  
 5,941,718 A 8/1999 Didier  
 6,045,403 A 4/2000 Werner et al.  
 6,355,884 B1 3/2002 Gretz  
 6,409,179 B1 6/2002 Daoud  
 D467,553 S \* 12/2002 Cheng ..... D13/154  
 6,521,831 B1 2/2003 Gretz  
 D474,447 S \* 5/2003 Kano ..... D13/133  
 7,075,007 B2 7/2006 Auray et al.  
 7,115,822 B1 10/2006 Day et al.  
 7,151,223 B2 12/2006 Auray et al.  
 7,329,144 B1 2/2008 Gretz  
 7,402,752 B1 7/2008 Kiely  
 D581,877 S 12/2008 Kiely  
 7,521,634 B2 4/2009 Clem et al.  
 D600,649 S 9/2009 Smith  
 D600,650 S 9/2009 Smith  
 7,582,831 B2 9/2009 Kiely et al.  
 7,723,623 B2 5/2010 Kiely et al.  
 D619,967 S \* 7/2010 Smith ..... D13/149  
 7,931,619 B2 4/2011 Diamond et al.  
 7,973,241 B2 7/2011 Evoniuk et al.  
 8,119,933 B2 2/2012 Auray et al.

8,124,891 B1 2/2012 Gretz  
 8,242,369 B2 8/2012 Kiely et al.  
 8,456,036 B2 6/2013 Kotlyar et al.  
 8,513,543 B1 8/2013 Lin  
 D691,963 S \* 10/2013 Smith ..... D13/155  
 D699,195 S 2/2014 Smith  
 D708,146 S \* 7/2014 Soni ..... D13/155  
 2012/0292100 A1 11/2012 Thomas  
 2013/0171881 A1 7/2013 Golen  
 2015/0280411 A1 10/2015 Plathe

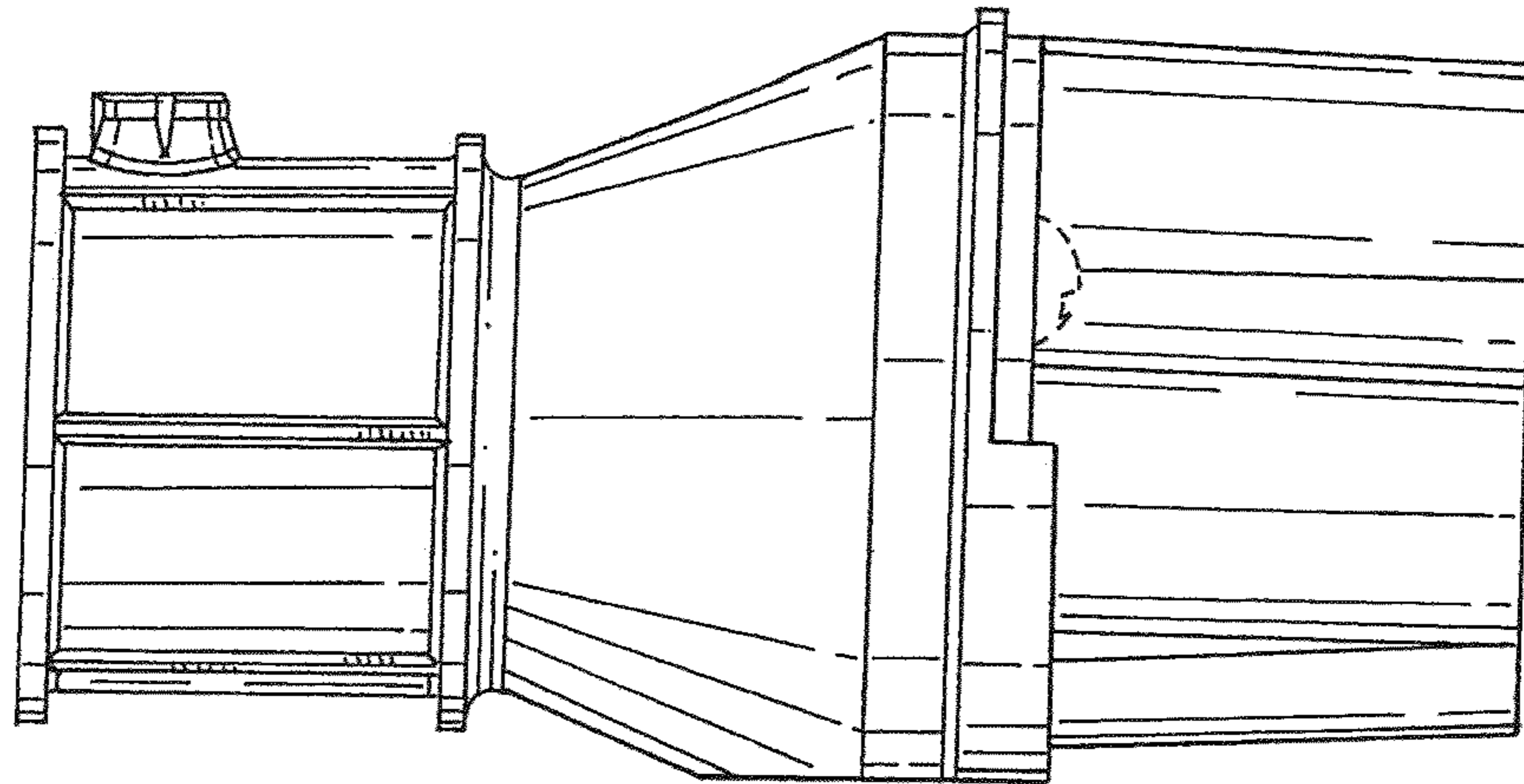
OTHER PUBLICATIONS

“DVI to 2 Dual Female Monitor Splitter Cable;” www.ebay.com; <http://www.ebay.com/itm/New-DVI-I-24-5-Pins-Male-to-2-Dual-VGA-Female-Monitor-Adapter-Splitter-Cable-/221264470024>; Apr. 21, 2014; pp. 1-5.  
 “DB-02 Y adapter two in one for Godox Propac;” ebay.com; <http://www.ebay.com/itm/Godox-DB-02-two-in-one-cable-Y-adapter-for-PROPAC-Power-Pack-PB960-Accessory-/350848175405>; Apr. 21, 2014; pp. 1-4.  
 “XT60 to 4 bullet Multistar ESC Power Breakout Cable;” www.hobbyking.com; [http://www.hobbyking.com/hobbyking/store/\\_25480\\_xt60\\_to\\_4\\_x\\_3\\_5mm\\_bullet\\_multistar\\_esc\\_power\\_breakout\\_cable.html](http://www.hobbyking.com/hobbyking/store/_25480_xt60_to_4_x_3_5mm_bullet_multistar_esc_power_breakout_cable.html); pp. 1-5.

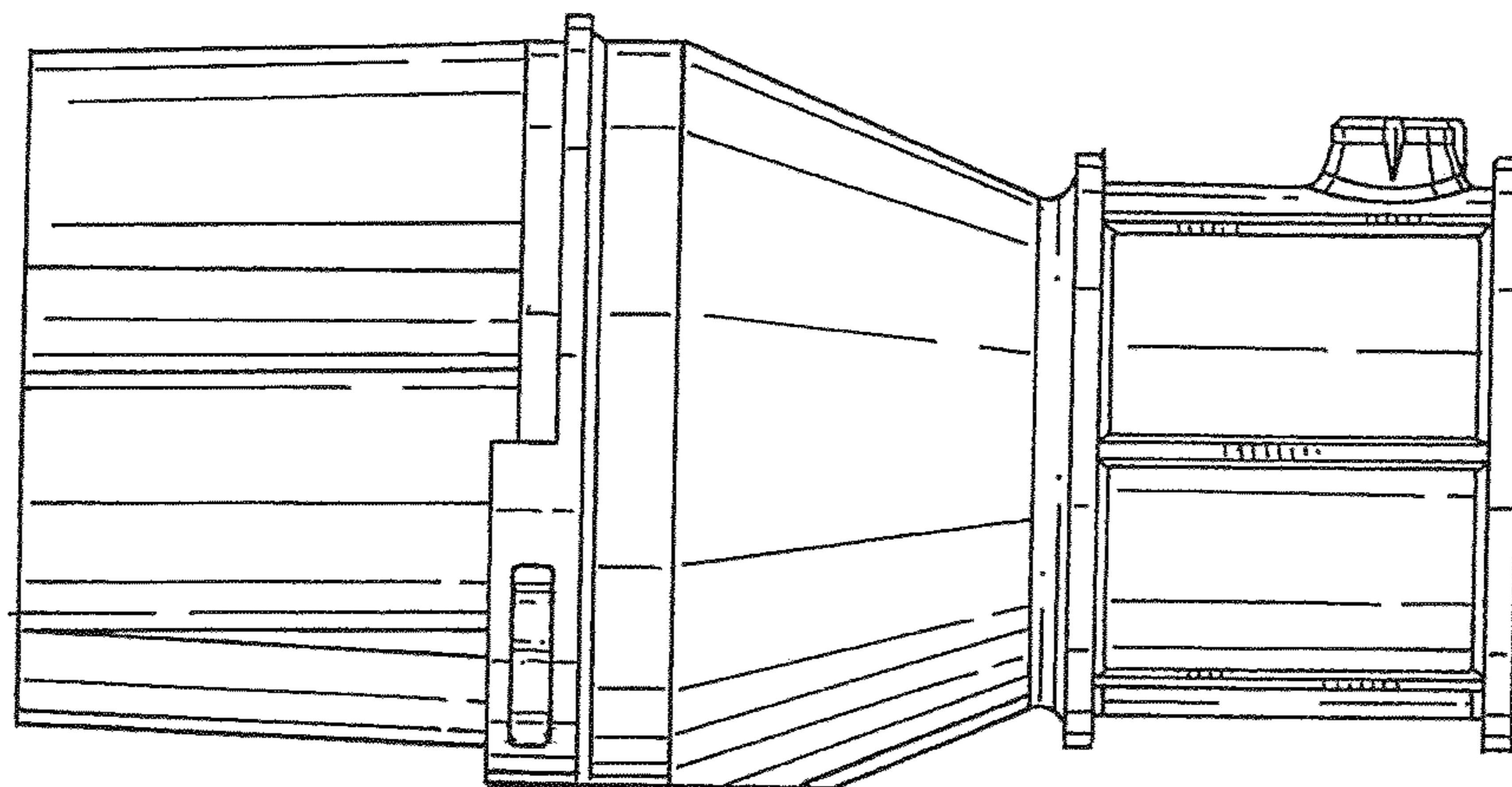
\* cited by examiner



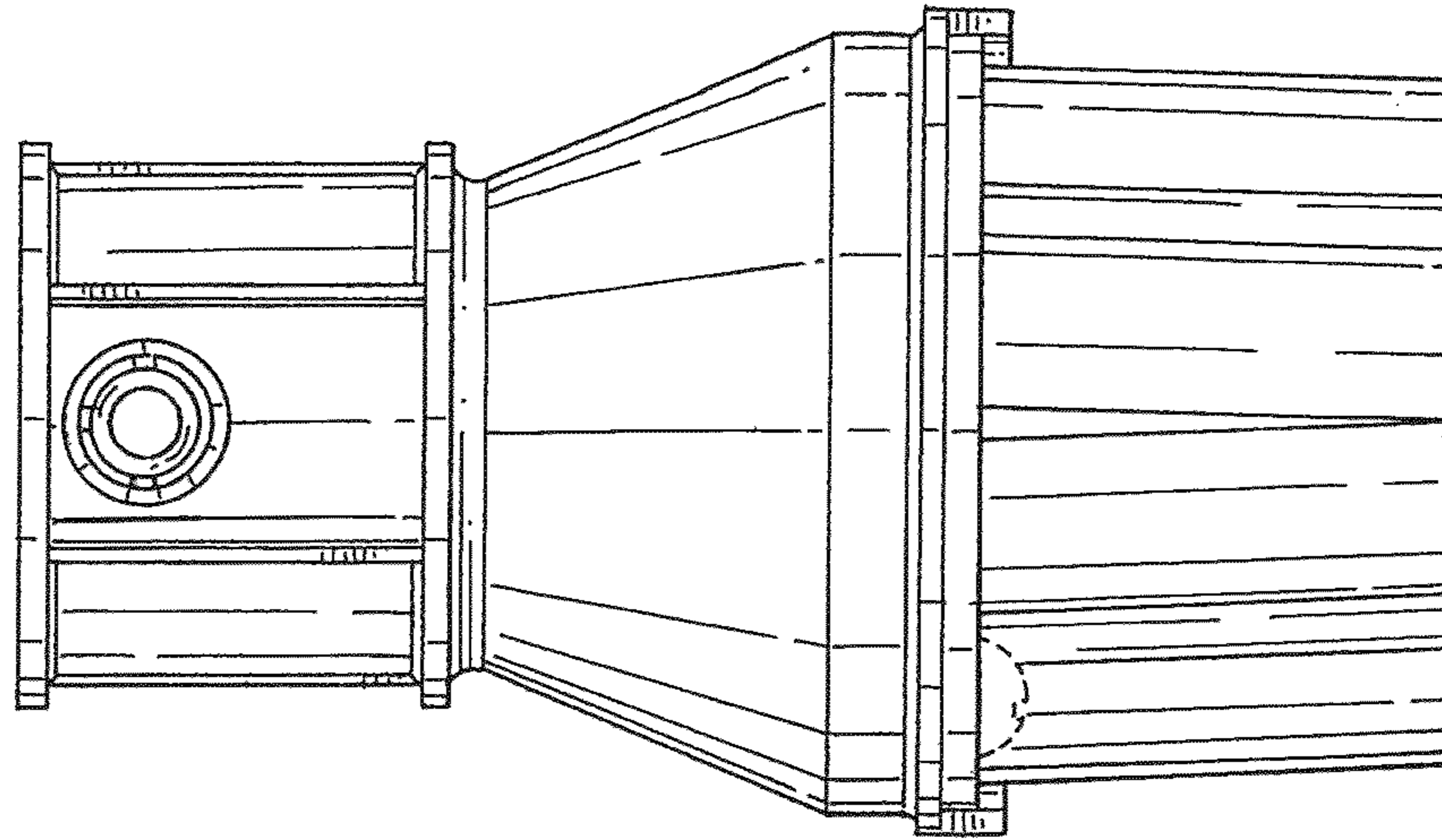
*FIG. 1*



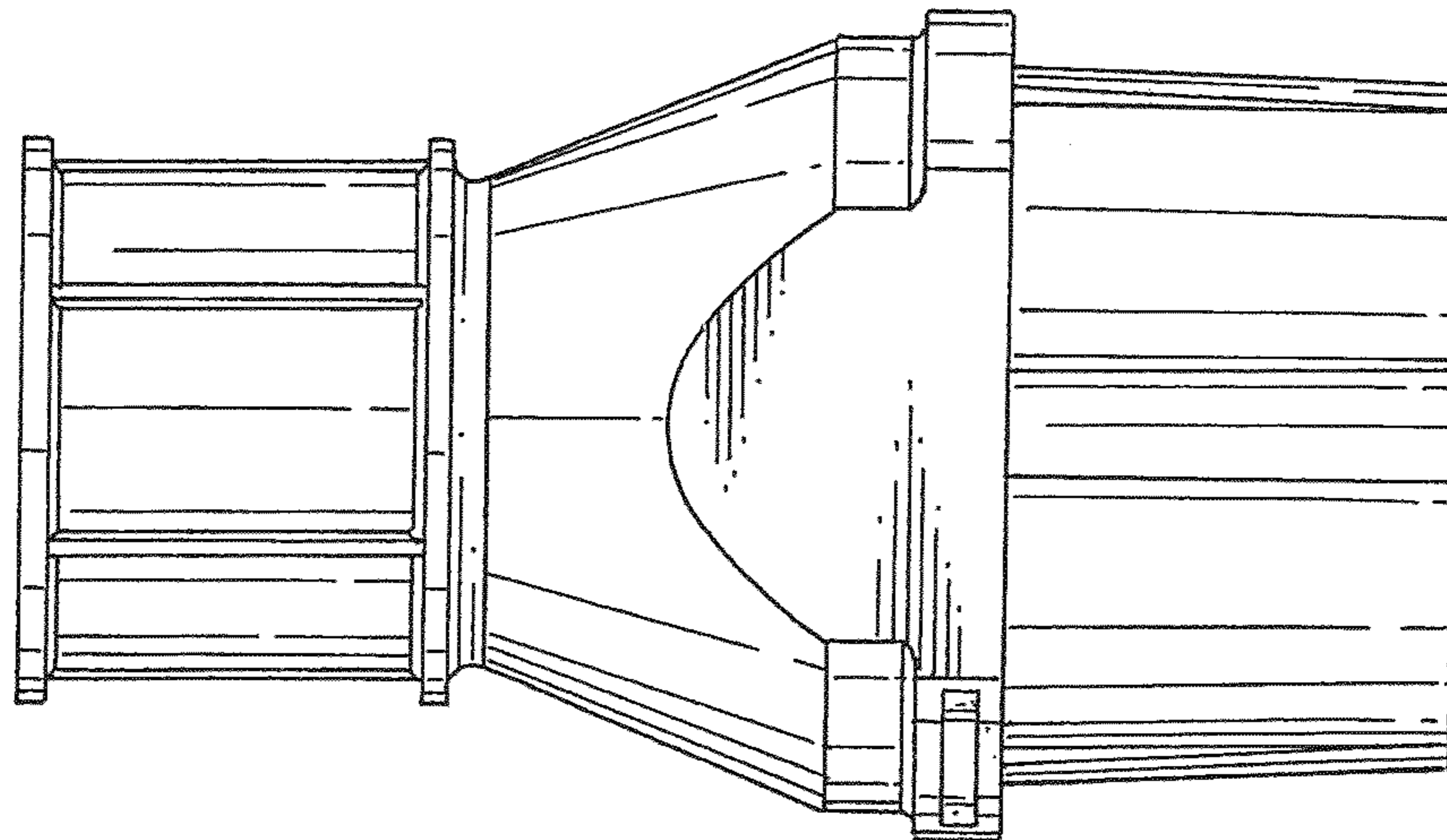
*FIG. 2*



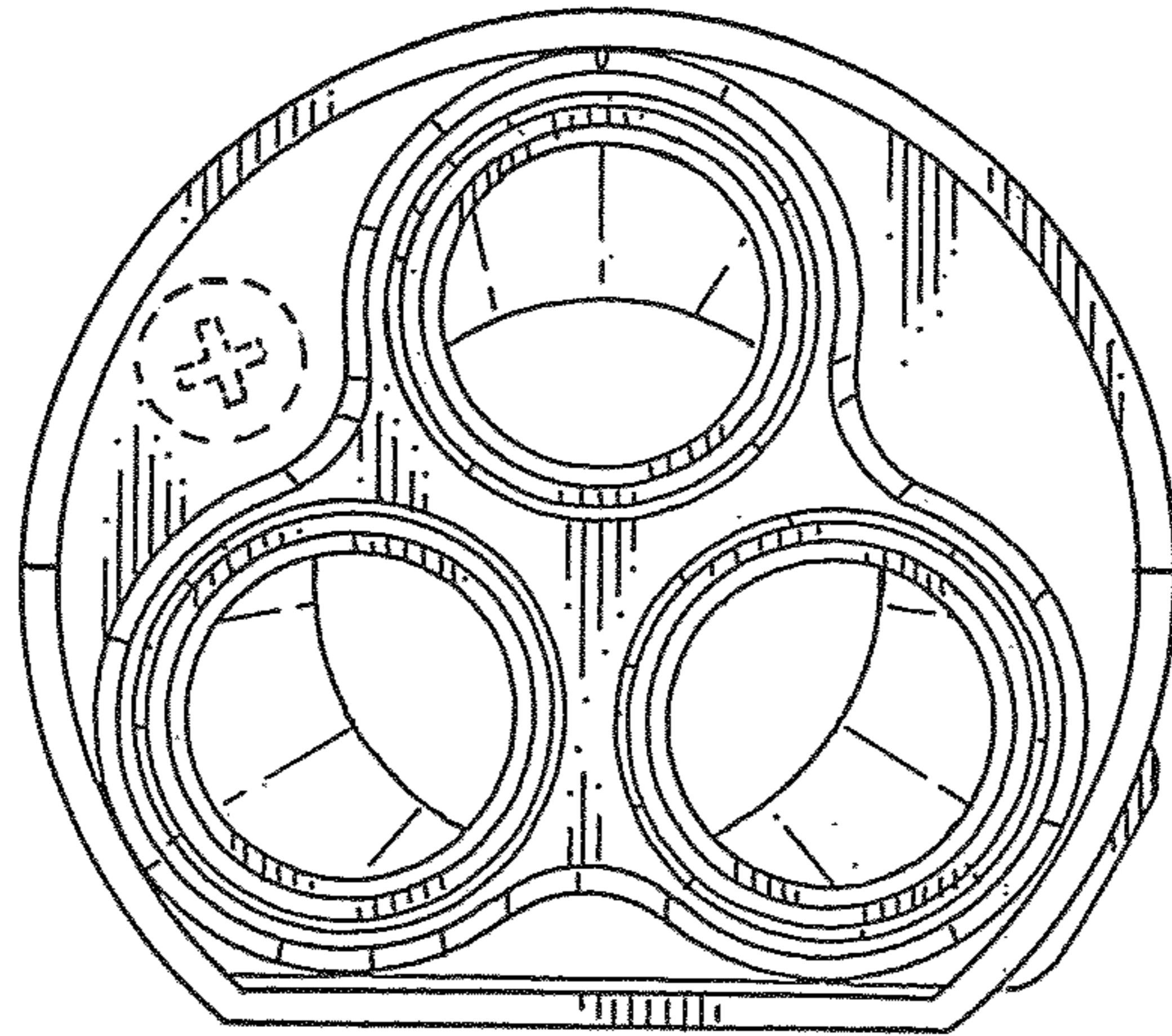
*FIG. 3*



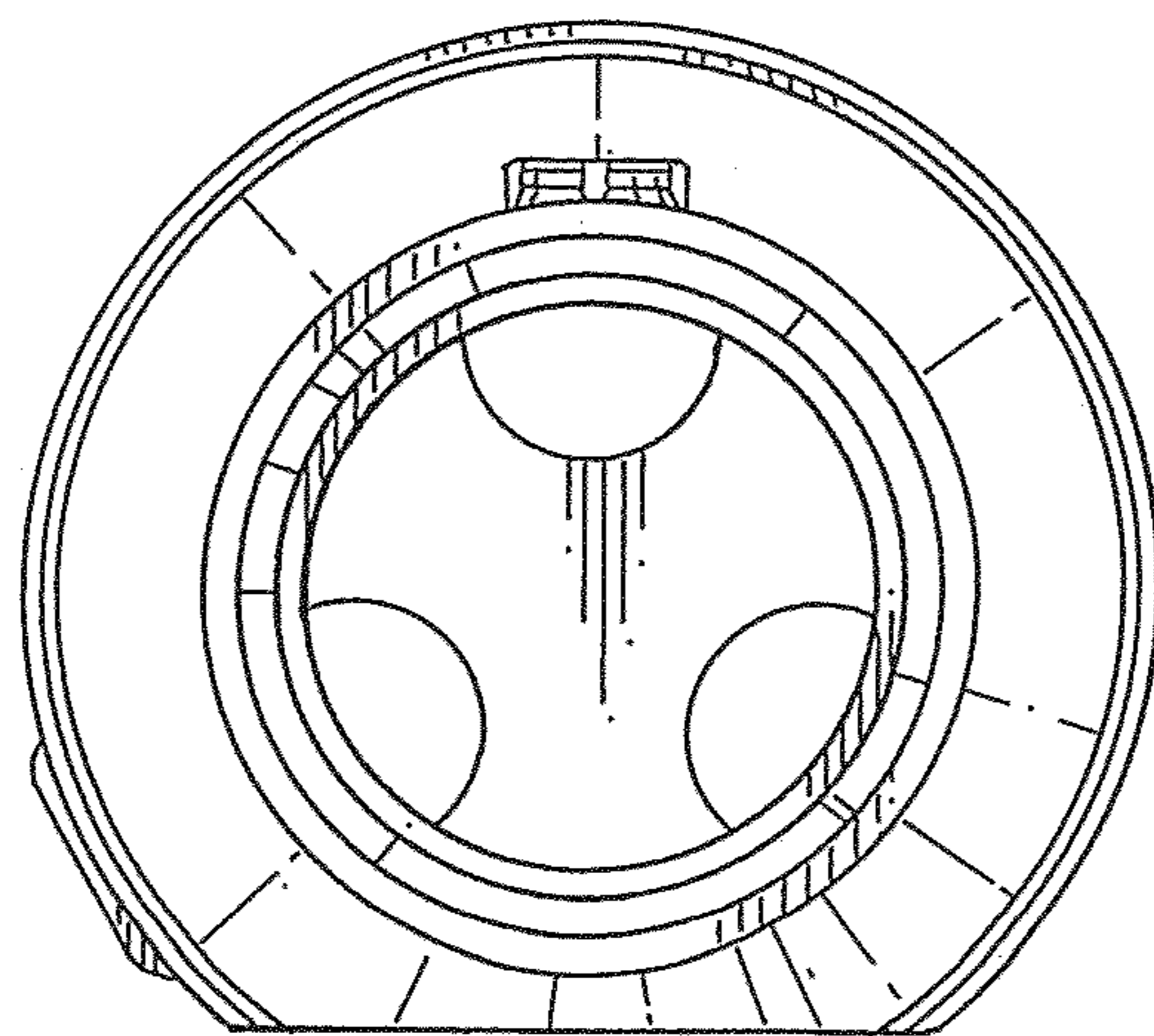
*FIG. 4*



*FIG. 5*



*FIG. 6*



*FIG. 7*

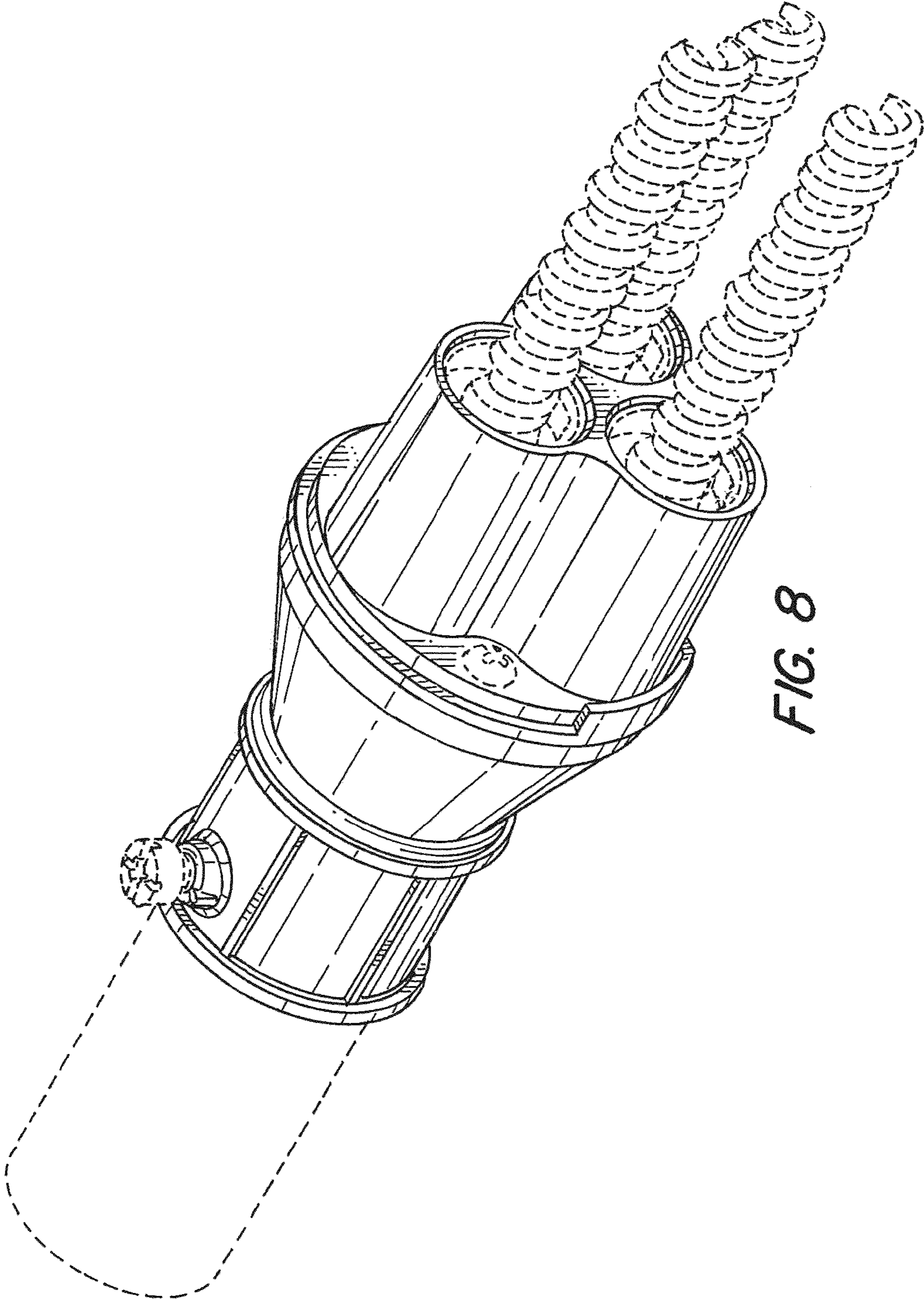


FIG. 8