



US00D755726S

(12) **United States Design Patent**
Michas

(10) **Patent No.:** **US D755,726 S**
(45) **Date of Patent:** **** May 10, 2016**

- (54) **CABLE REEL FOR RETRACTABLE BOOSTER CABLES**
- (71) Applicant: **DELK RESOURCES, INC.**, Nashville, TN (US)
- (72) Inventor: **Luke W. Michas**, Hendersonville, TN (US)
- (73) Assignee: **Delk Resources, Inc.**, Nashville, TN (US)
- (**) Term: **14 Years**
- (21) Appl. No.: **29/508,943**
- (22) Filed: **Nov. 12, 2014**
- (51) **LOC (10) Cl.** **13-03**
- (52) **U.S. Cl.**
USPC **D13/153**
- (58) **Field of Classification Search**
USPC D13/139.1–139.8, 153, 120, 137.4, 110, D13/155; D8/358, 359, 356; 242/376, 242/405.3, 379.2; 137/15.18
CPC .. B65H 75/4434; B65H 75/406; B65H 75/40; B65H 75/446; B65H 75/38
See application file for complete search history.

- 6,170,775 B1 * 1/2001 Kovacik B65H 75/40 242/379.2
- 6,273,354 B1 * 8/2001 Kovacik B65H 75/40 191/12.2 R
- 6,372,988 B1 4/2002 Burke et al.
- 6,439,360 B1 * 8/2002 Miller B65H 75/446 191/12.2 R
- 6,457,669 B1 * 10/2002 Chuang B65H 75/40 242/397
- D472,521 S * 4/2003 Giesbrecht D13/137.4
- D474,677 S * 5/2003 Brodie D8/358
- D475,277 S * 6/2003 Wu D8/358
- D477,200 S * 7/2003 Ko D8/359
- D485,744 S * 1/2004 Khubani D8/359
- D496,253 S * 9/2004 Kovacik D8/358
- D496,255 S * 9/2004 Kovacik D13/139.7

(Continued)

OTHER PUBLICATIONS

Quirky, World's Easiest-to-Use Numbered Ends Jumper Cables, webpage, United States <https://www.quirky.com/ideations/258376>.

(Continued)

Primary Examiner — Holly Baynham
Assistant Examiner — Rhea Shields
(74) *Attorney, Agent, or Firm* — Hankin Patent Law, APC; Kevin Schraven; Jimmy Sauz

(57) **CLAIM**
The ornamental design for a cable reel for retractable booster cables, as shown and described.

DESCRIPTION

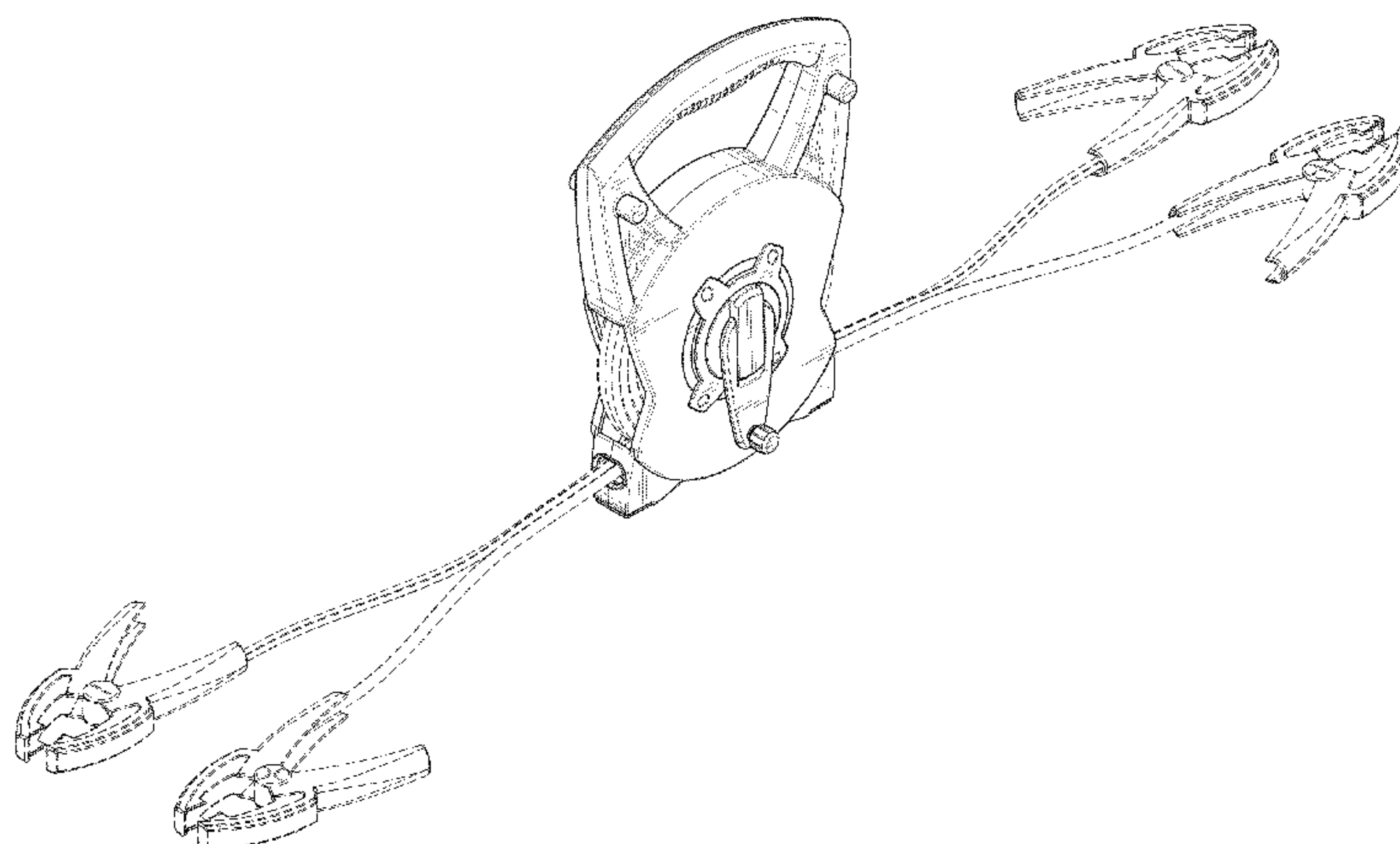
FIG. 1 is a top perspective view of cable reel for retractable booster cables showing my new design.
FIG. 2 is a bottom perspective view thereof.
FIG. 3 is a front elevational view thereof.
FIG. 4 is a right side elevational view thereof.
FIG. 5 is a left side elevational view thereof.
FIG. 6 is a rear elevational view thereof.
FIG. 7 is a top plan view thereof; and,
FIG. 8 is a bottom plan view thereof.
In the drawings, the broken lines are for the purpose of illustrating environment only and form no part of the claimed design.

1 Claim, 8 Drawing Sheets

(56) **References Cited**

U.S. PATENT DOCUMENTS

- 3,337,695 A 8/1967 Brown
- 3,853,285 A 12/1974 Woodring
- 4,132,367 A * 1/1979 Ineson B65H 75/4434 242/376
- 4,466,581 A 8/1984 Hill
- 4,653,833 A 3/1987 Czubernat et al.
- 4,904,205 A 2/1990 Rice
- 5,014,925 A * 5/1991 Cump B65H 75/406 242/405.3
- 5,103,977 A 4/1992 Douglas
- 5,279,473 A 1/1994 Rozon
- D352,928 S * 11/1994 Ford D13/120
- 5,762,281 A 6/1998 Foley
- D419,527 S * 1/2000 Hwang D13/153



(56)

References Cited

U.S. PATENT DOCUMENTS

6,889,701	B2 *	5/2005	Kovacik	B65H 75/38 137/15.18
7,108,216	B2	9/2006	Burke	
D580,857	S *	11/2008	Matthew	D13/110
D604,244	S *	11/2009	Kovacik	D13/137.4
D636,253	S *	4/2011	Hatcher	D8/356
D663,698	S *	7/2012	Allwood	D13/155
D707,184	S *	6/2014	Gago	D13/153
2013/0068869	A1	3/2013	Blunt	

OTHER PUBLICATIONS

Quirky, Retractable Auto Booster Jumper cables. Time to redesign Auto Booster Jumper Cables. Keep the wires from getting tangled. With connector lites, webpage, United States <https://www.quirky.com/invent/198945/action/vote/query/view=trending&categories=all>.
Quirky, Development History, Webpage, United States <https://www.quirky.com/products/296-retractable-jumper-cables-quirky-making-invention-accessible/timeline>.

* cited by examiner

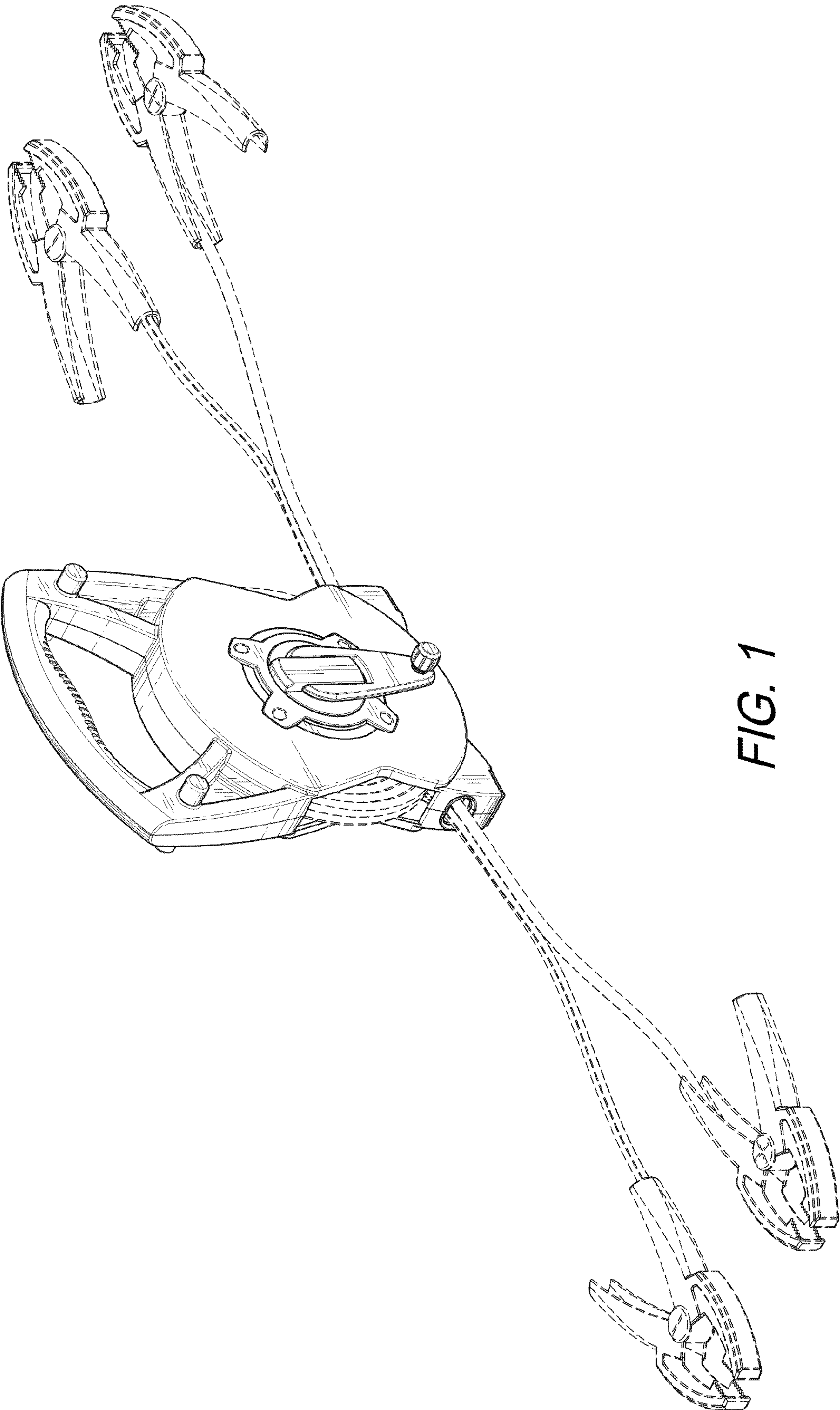


FIG. 1

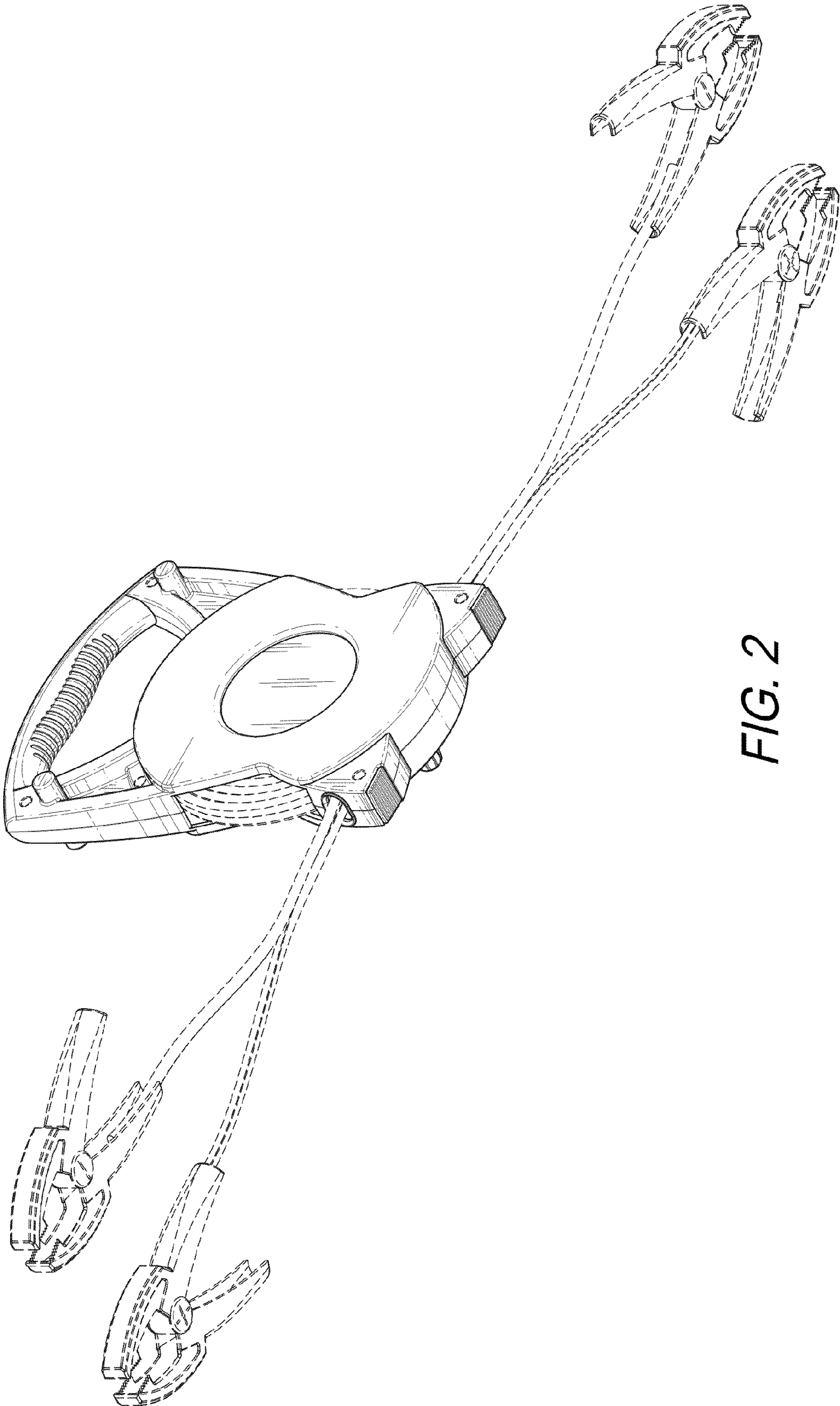


FIG. 2

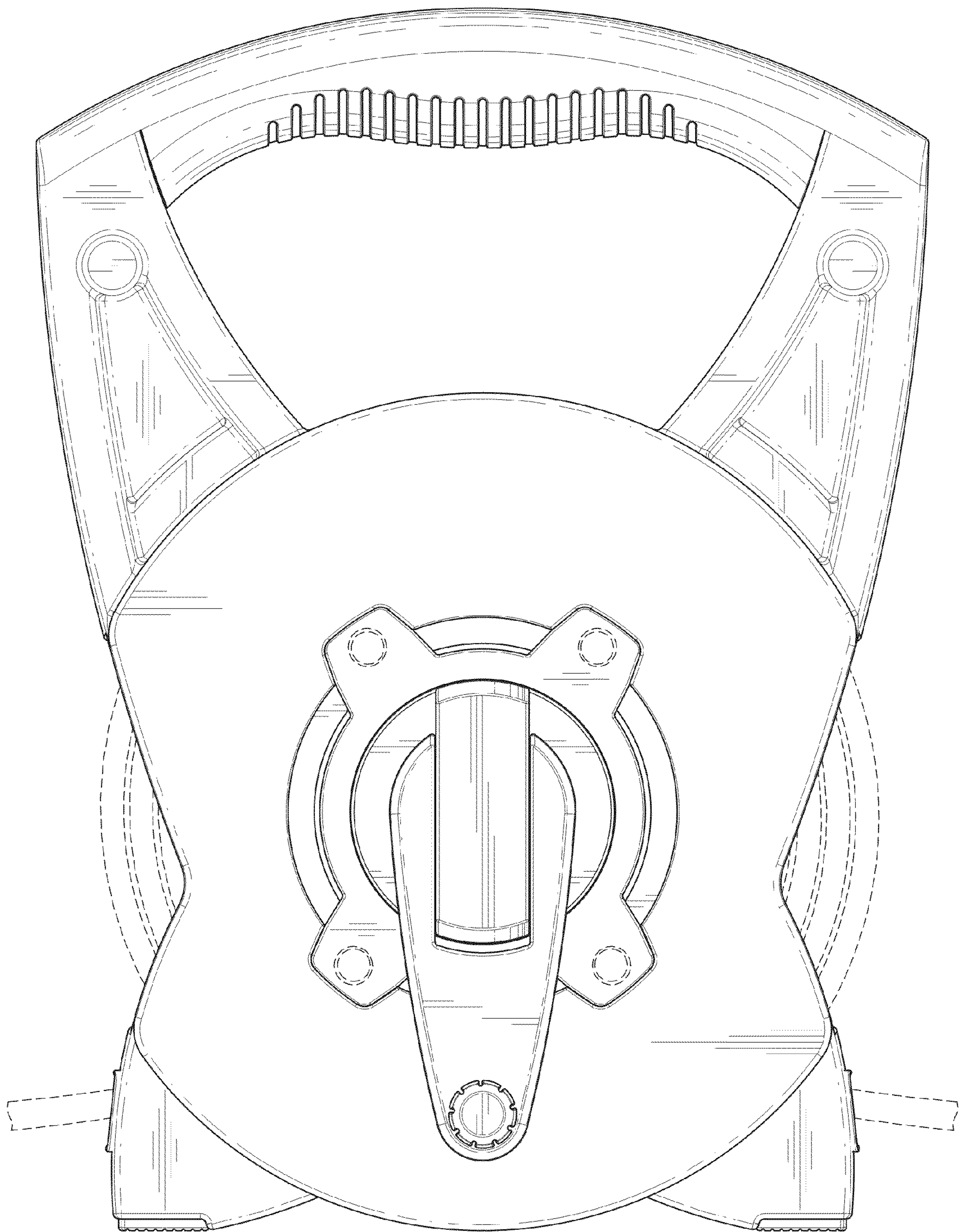


FIG. 3

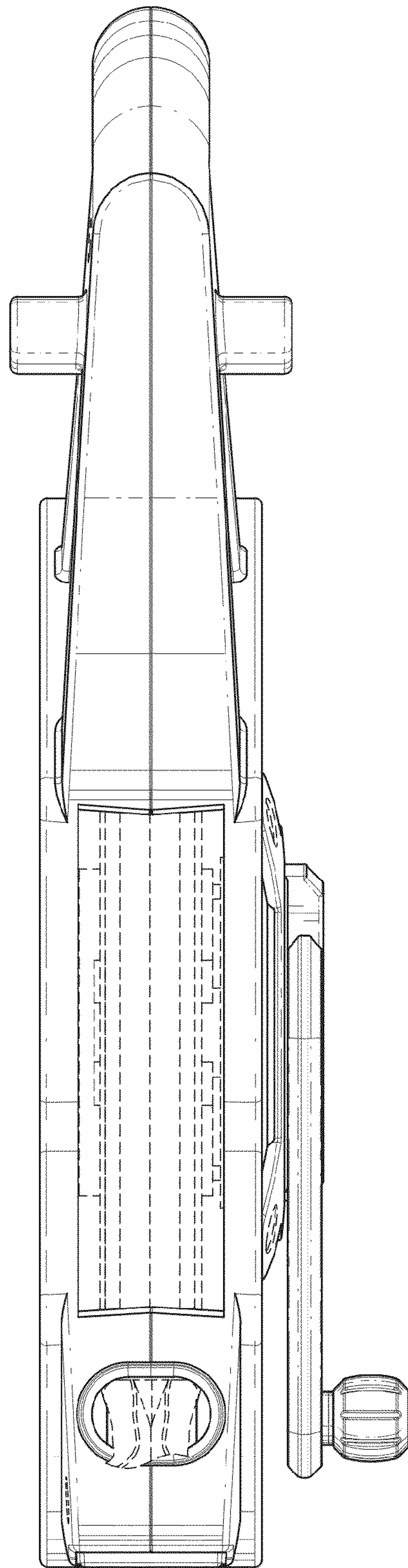


FIG. 4

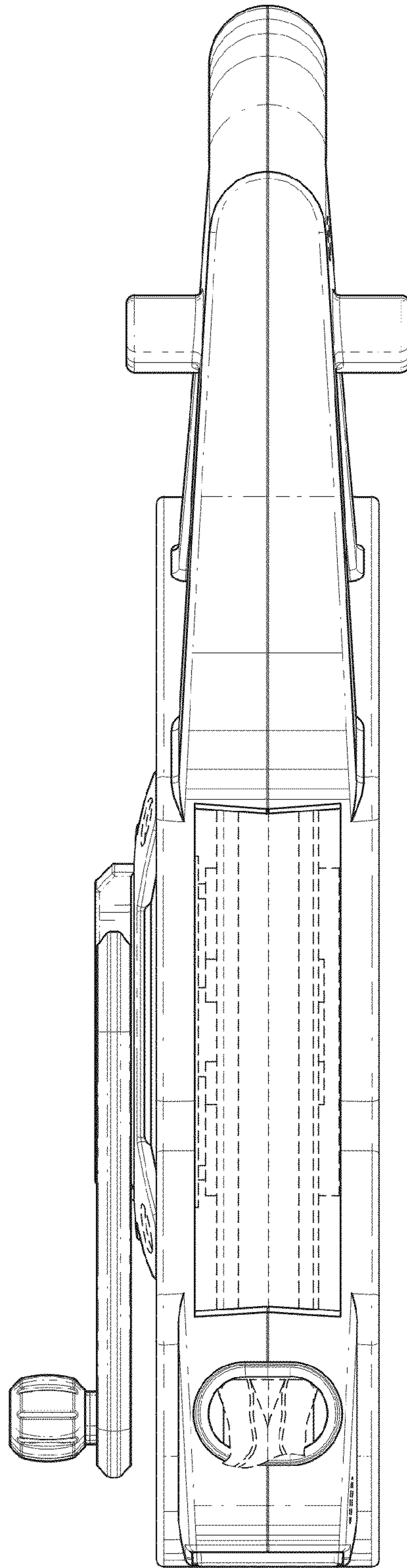


FIG. 5

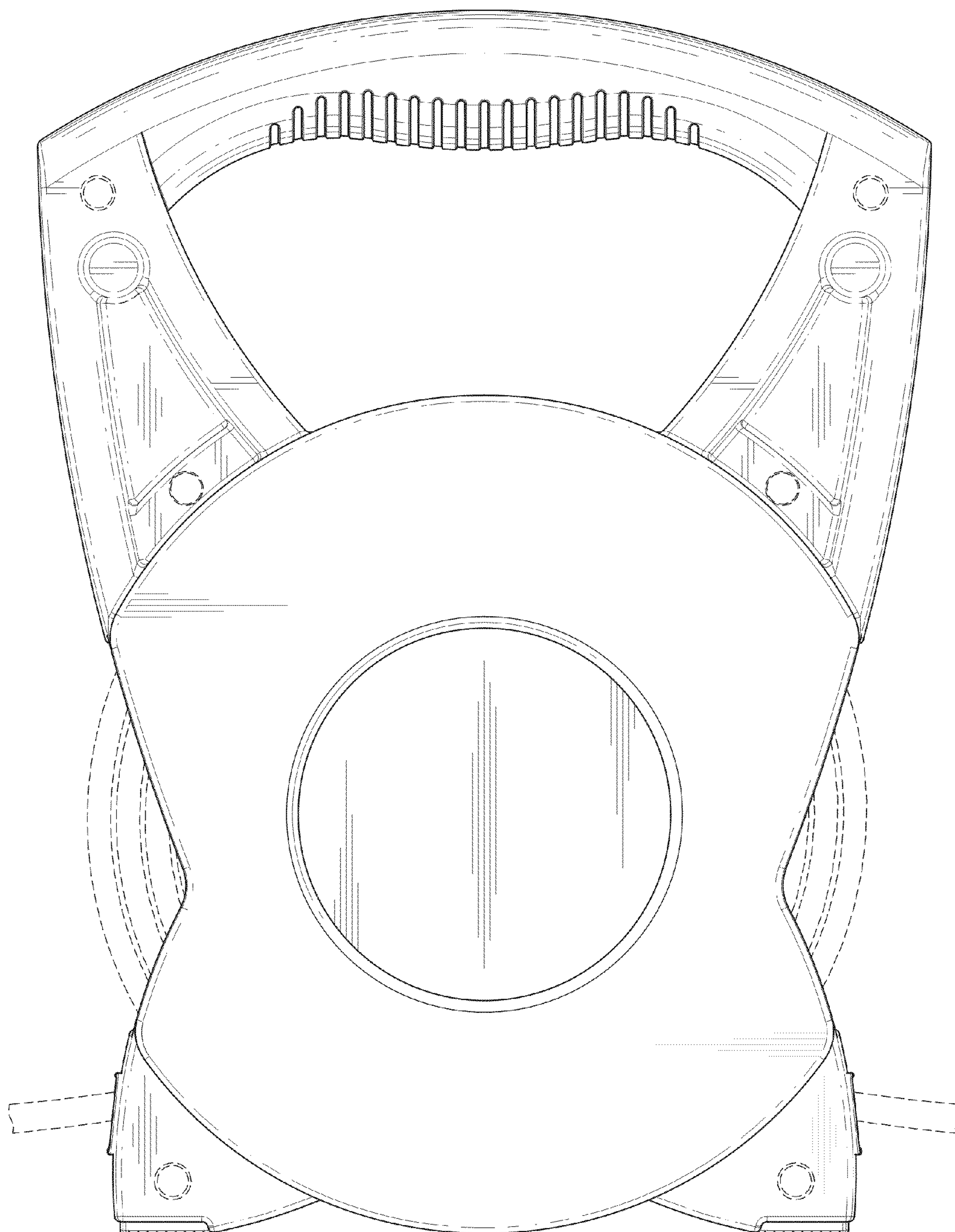


FIG. 6

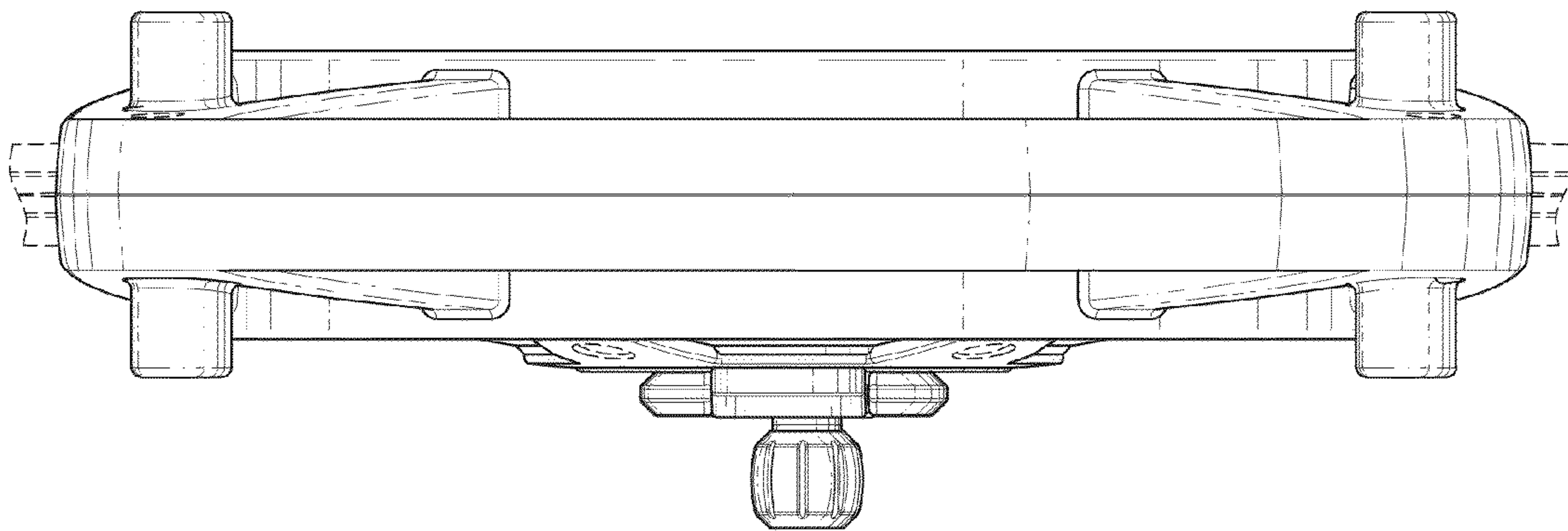


FIG. 7

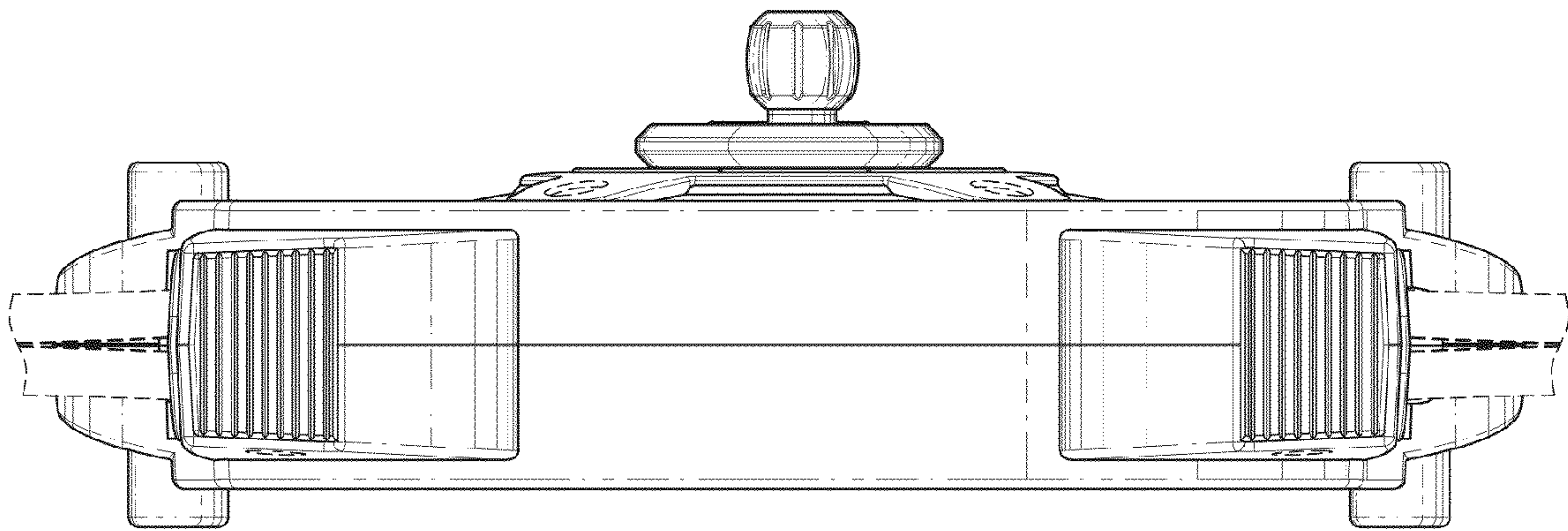


FIG. 8