



US00D755725S

(12) **United States Design Patent**
Honda

(10) **Patent No.:** **US D755,725 S**

(45) **Date of Patent:** **** May 10, 2016**

(54) **ELECTRICAL CONNECTOR**

D582,853 S * 12/2008 Peng D13/147
D669,860 S * 10/2012 Sasaki D13/147
D720,299 S * 12/2014 Honda D13/147

(71) Applicant: **Japan Aviation Electronics Industry, Limited**, Tokyo (JP)

* cited by examiner

(72) Inventor: **Yosuke Honda**, Tokyo (JP)

Primary Examiner — Daniel Bui

(73) Assignee: **JAPAN AVIATION ELECTRONICS INDUSTRY, LIMITED**, Tokyo (JP)

(74) *Attorney, Agent, or Firm* — Manabu Kanesaka

(**) Term: **14 Years**

(57) **CLAIM**

The ornamental design for an electrical connector, as shown and described.

(21) Appl. No.: **29/526,202**

DESCRIPTION

(22) Filed: **May 7, 2015**

FIG. 1 is a front elevational view of an electrical connector showing my new design;

(30) **Foreign Application Priority Data**

Nov. 20, 2014 (JP) 2014-025959

FIG. 2 is a rear elevational view thereof;

(51) **LOC (10) Cl.** **13-03**

FIG. 3 is a right side elevational view thereof;

(52) **U.S. Cl.**

USPC **D13/147**

FIG. 4 is a left side elevational view thereof;

(58) **Field of Classification Search**

USPC D13/118, 120, 133, 146, 147, 154, 184, D13/199

FIG. 5 is a plan view thereof;

See application file for complete search history.

FIG. 6 is a bottom view thereof;

(56) **References Cited**

U.S. PATENT DOCUMENTS

D470,110 S * 2/2003 Yamane D13/147

D472,219 S * 3/2003 Miura D13/147

FIG. 7 is a perspective view showing a front, top and right side thereof;

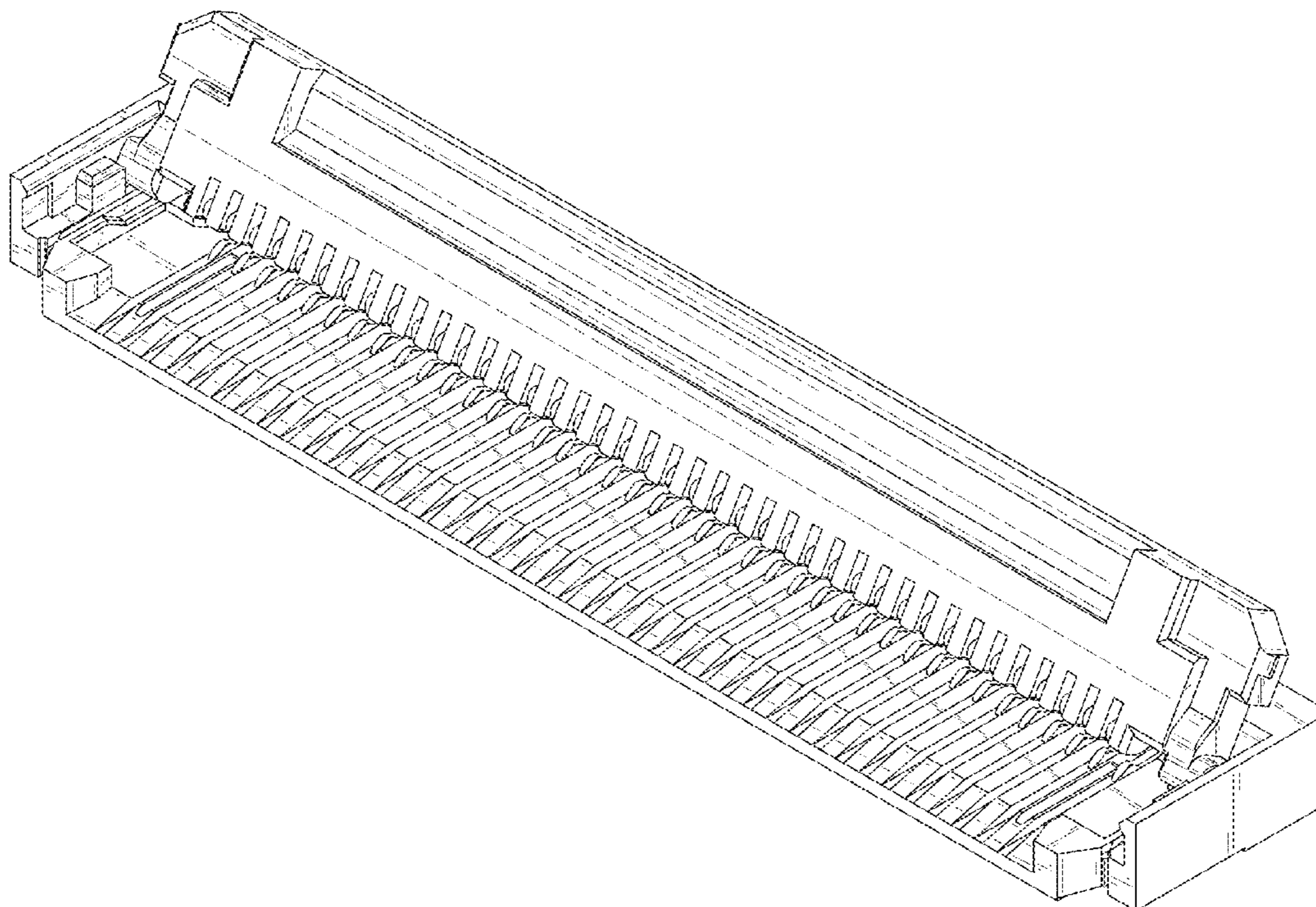
FIG. 8 is a perspective view showing a rear, bottom and left side thereof;

FIG. 9 is a perspective view showing a front, right side and bottom thereof;

FIG. 10 is a perspective view showing a rear, left side and top thereof; and,

FIG. 11 is a perspective reference view showing a front, top and right side thereof, in opened condition.

1 Claim, 10 Drawing Sheets



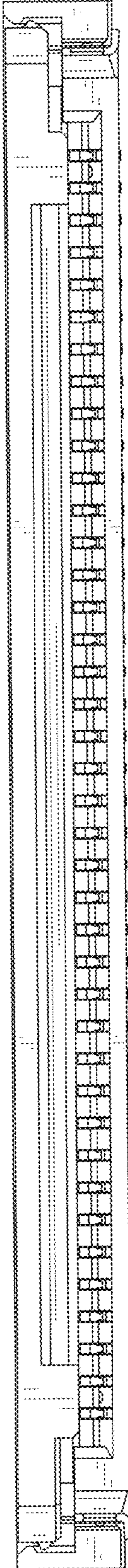


FIG. 1

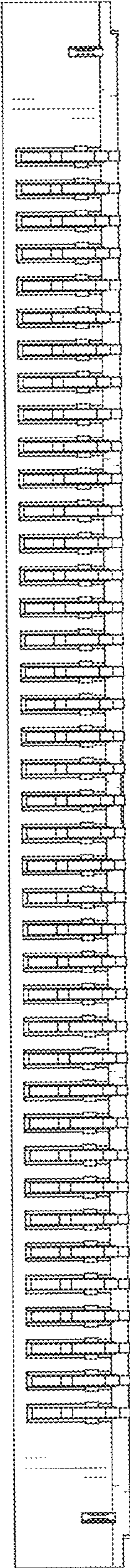


FIG. 2

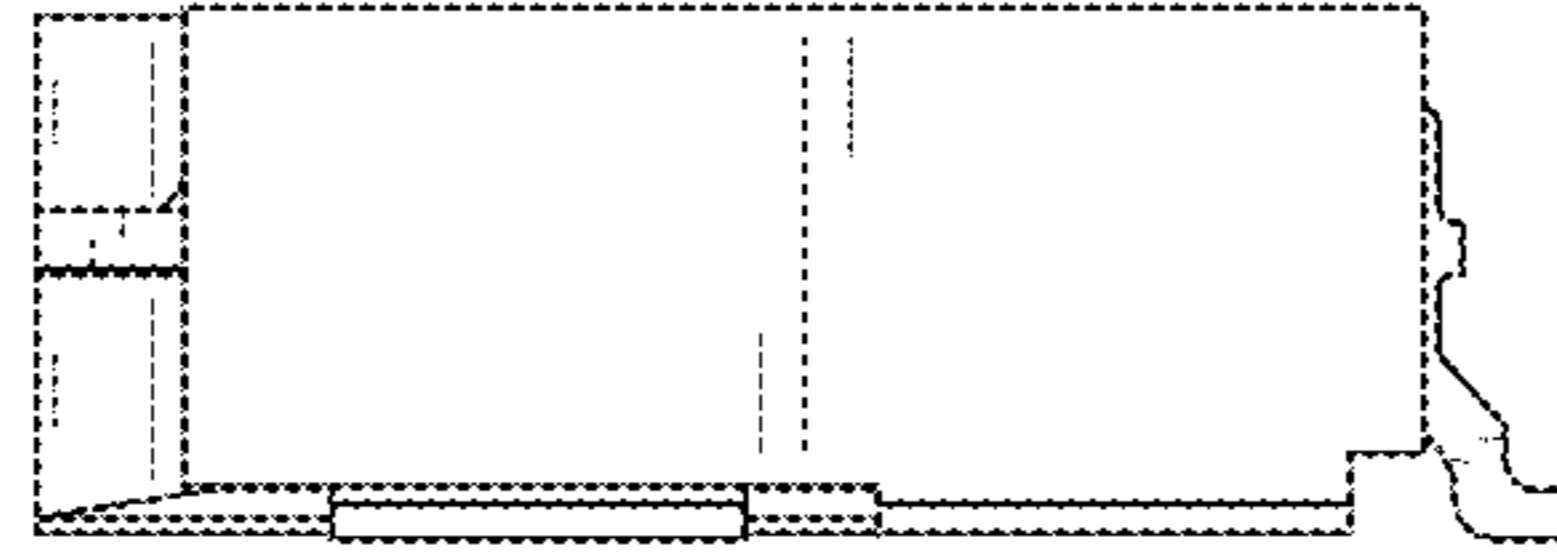


FIG. 3

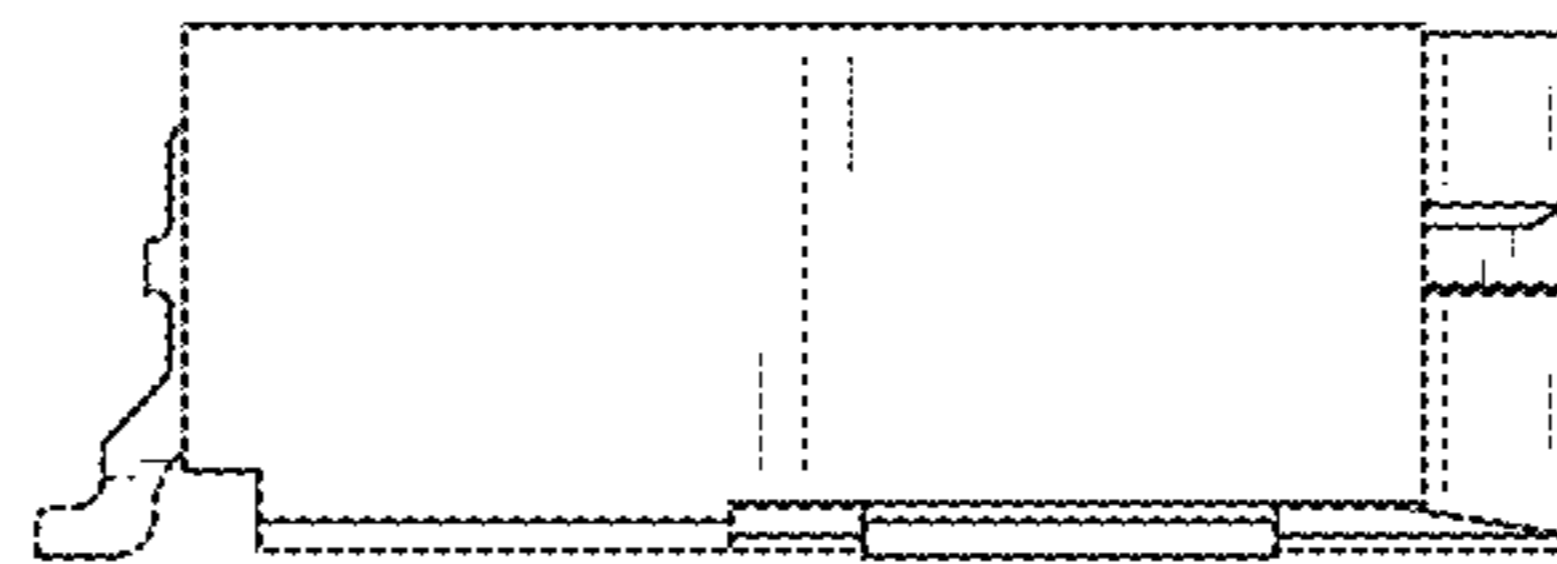


FIG. 4

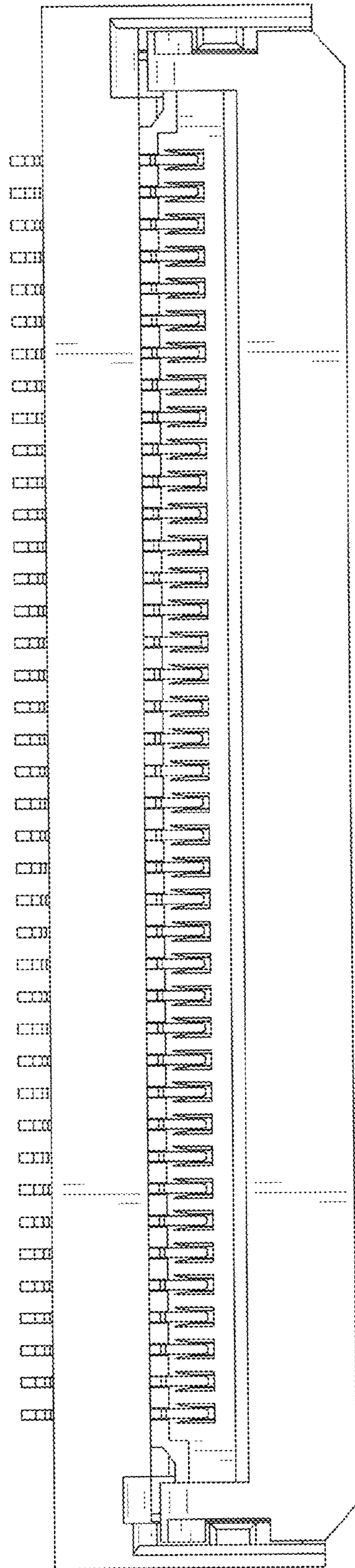


FIG. 5

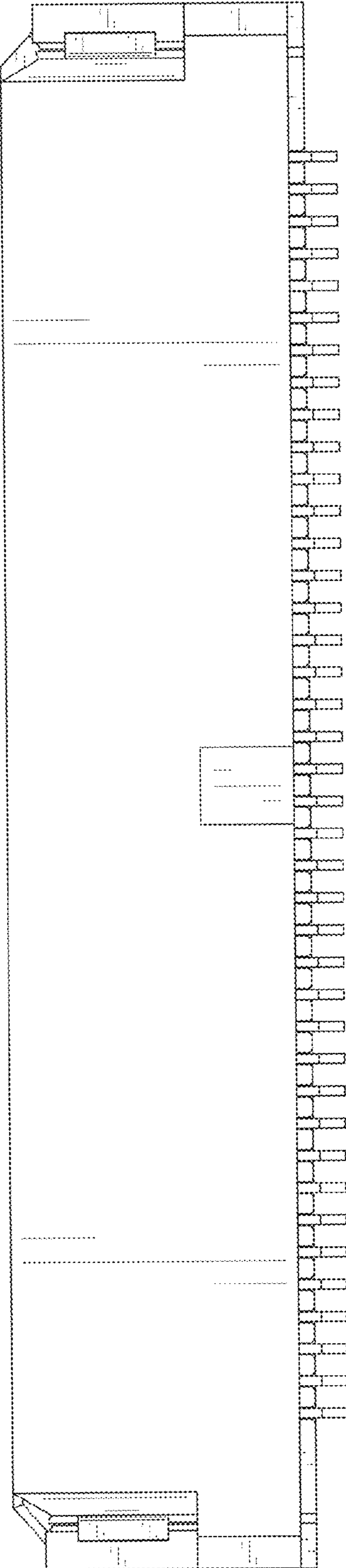


FIG. 6

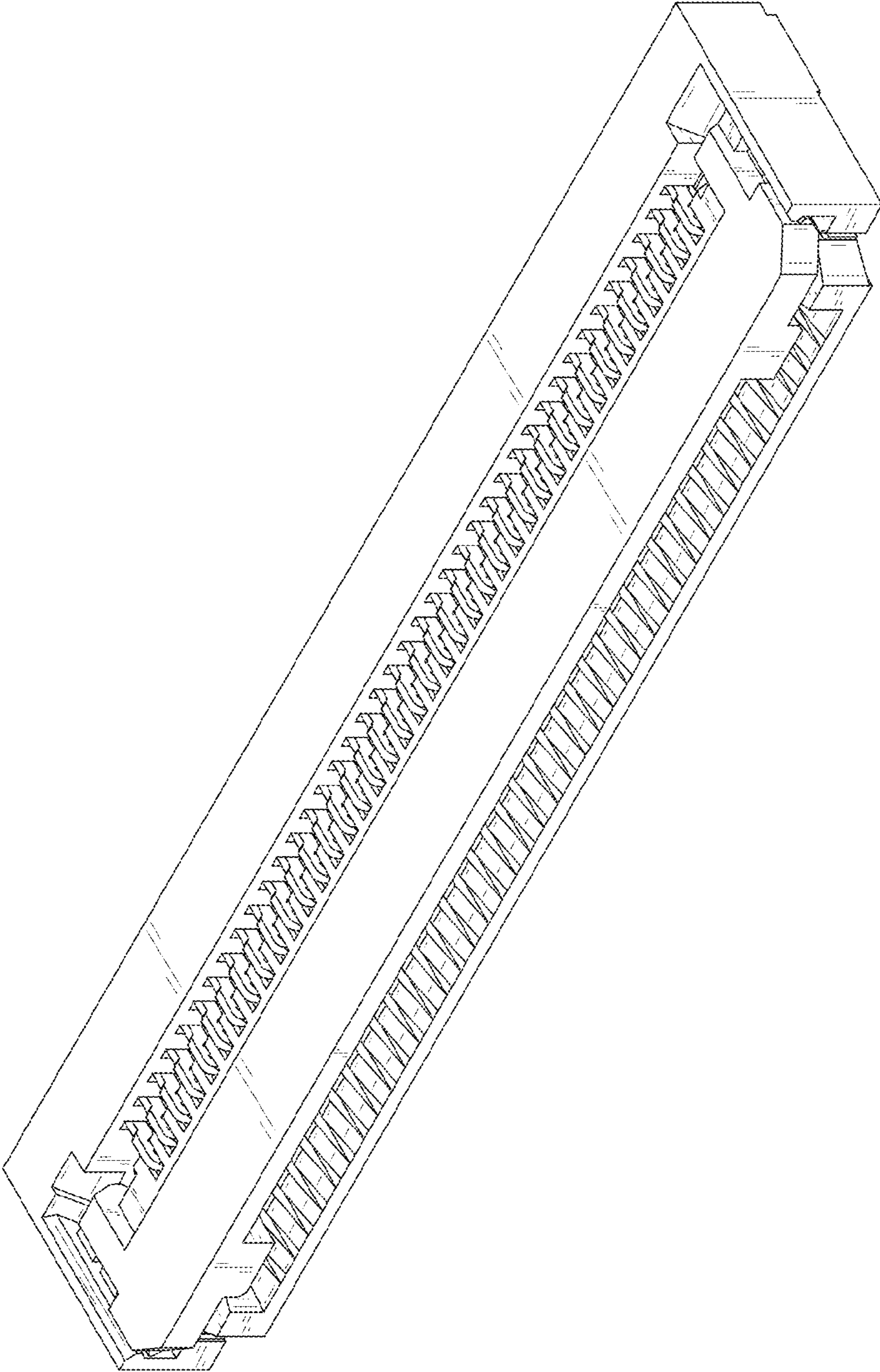


FIG. 7

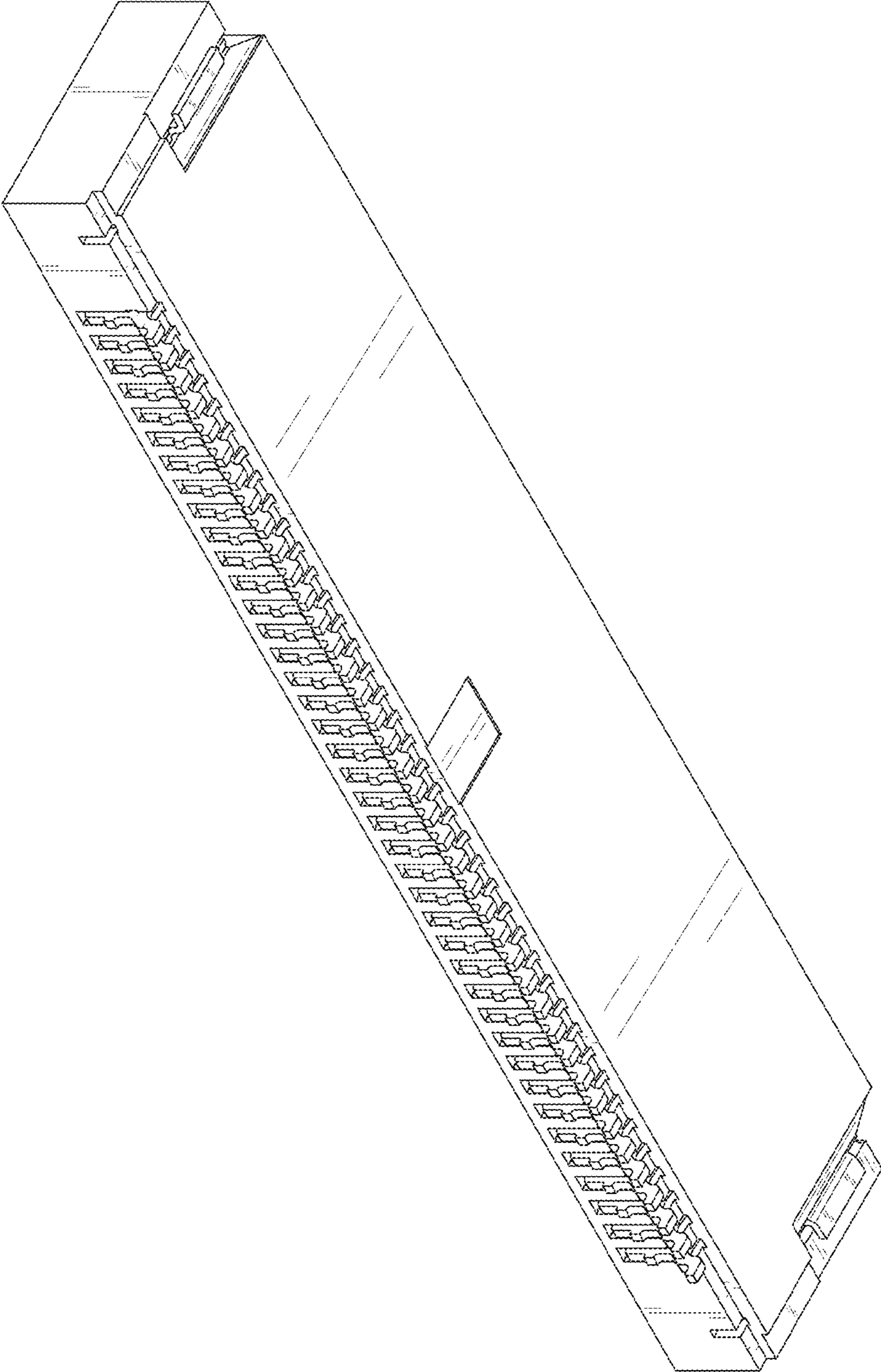


FIG. 8

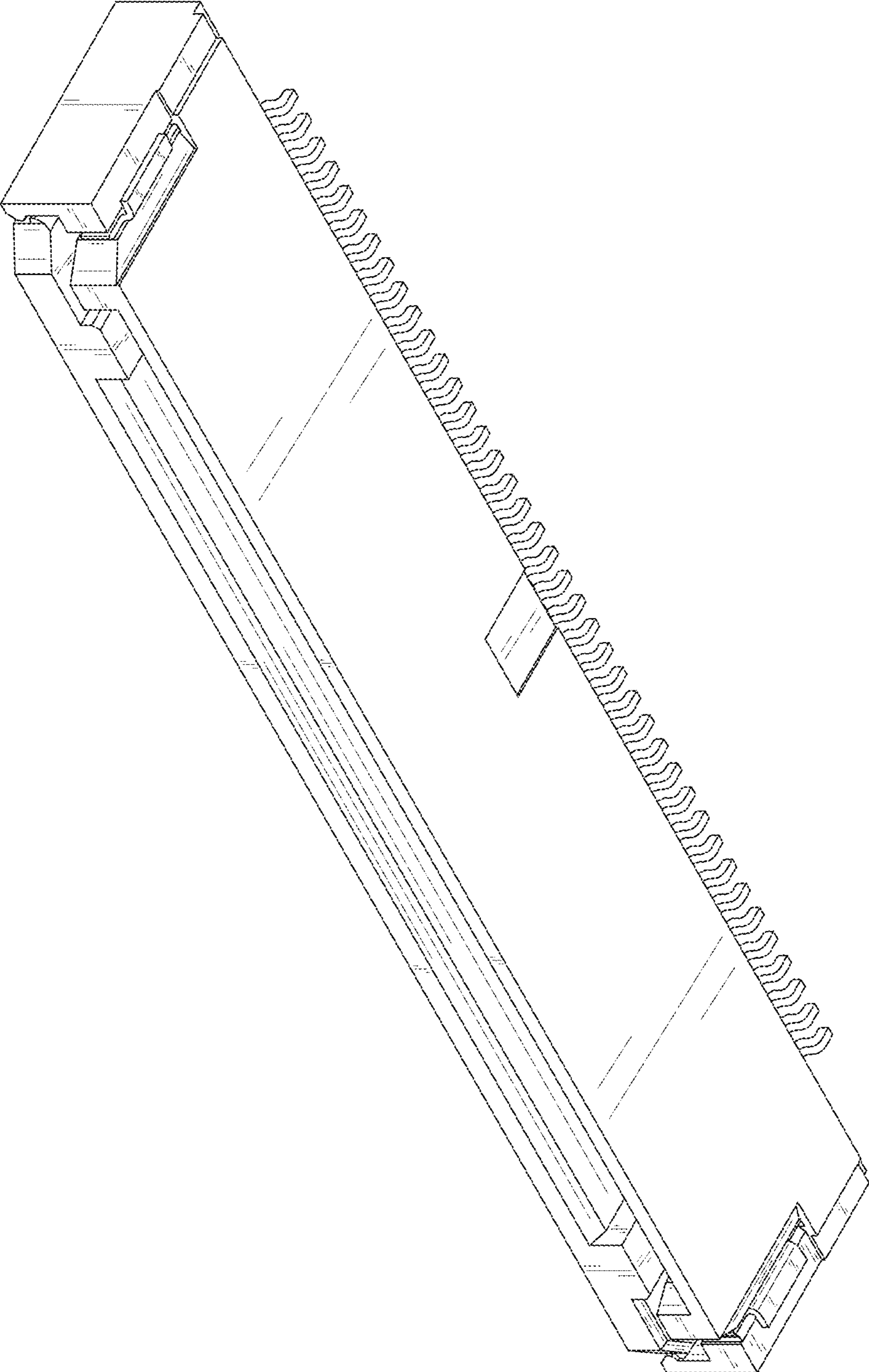


FIG. 9

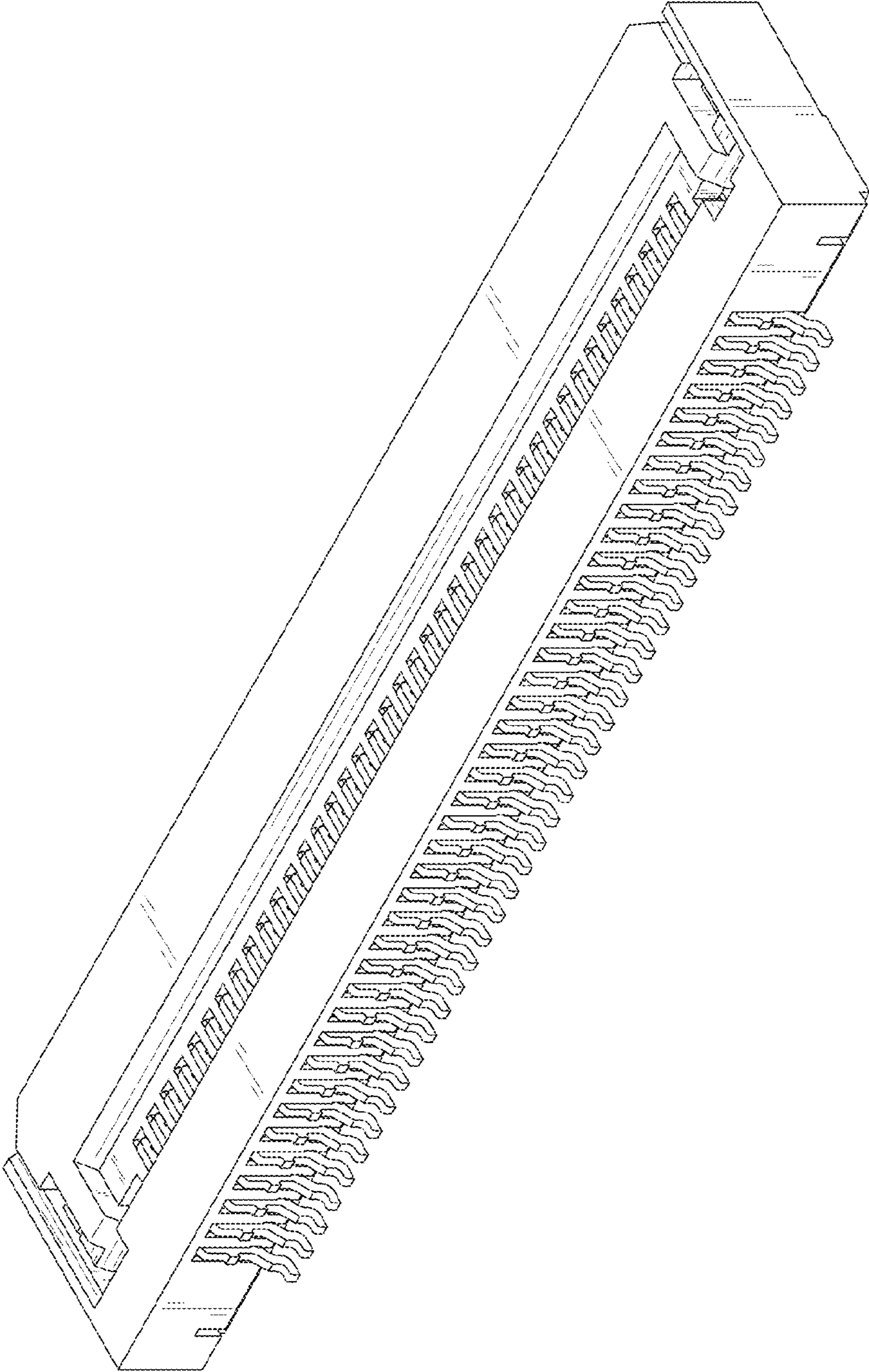


FIG. 10

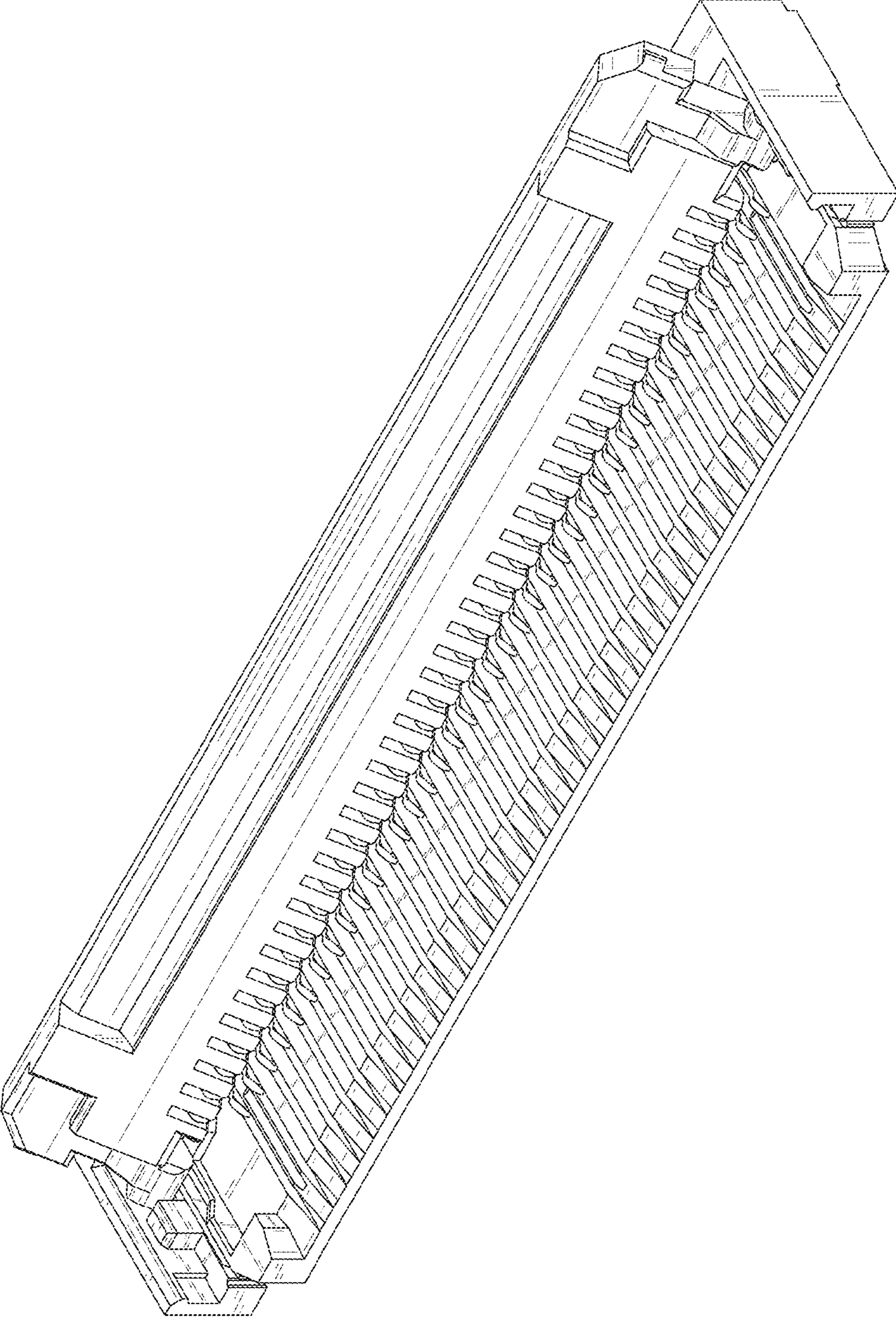


FIG. 11