



US00D755723S

(12) **United States Design Patent**
Kuhnert

(10) **Patent No.:** **US D755,723 S**

(45) **Date of Patent:** **** May 10, 2016**

(54) **CONNECTOR**

(71) Applicant: **Multi-Holding AG**, Allschwil (CH)

(72) Inventor: **Thomas Kuhnert**, Essen (DE)

(73) Assignee: **Multi-Holding AG**, Allschwil (CH)

(**) Term: **15 Years**

(21) Appl. No.: **29/529,104**

(22) Filed: **Jun. 3, 2015**

Related U.S. Application Data

(62) Division of application No. 29/475,128, filed on Nov. 29, 2013, now Pat. No. Des. 735,671.

(30) **Foreign Application Priority Data**

May 30, 2013 (WO) 741 054 001

(51) **LOC (10) Cl.** **13-03**

(52) **U.S. Cl.**
USPC **D13/146**

(58) **Field of Classification Search**
USPC D13/133, 146, 147, 154, 184, 199
See application file for complete search history.

(56) **References Cited**

U.S. PATENT DOCUMENTS

D456,509	S	*	4/2002	Schultz	D13/153
D586,750	S	*	2/2009	Li	D13/133
D678,201	S	*	3/2013	Corona	D13/133
D729,169	S	*	5/2015	Corona	D13/146
D735,671	S	*	8/2015	Kuhnert	D13/146

* cited by examiner

Primary Examiner — Daniel Bui

(74) *Attorney, Agent, or Firm* — Sughrue Mion, PLLC

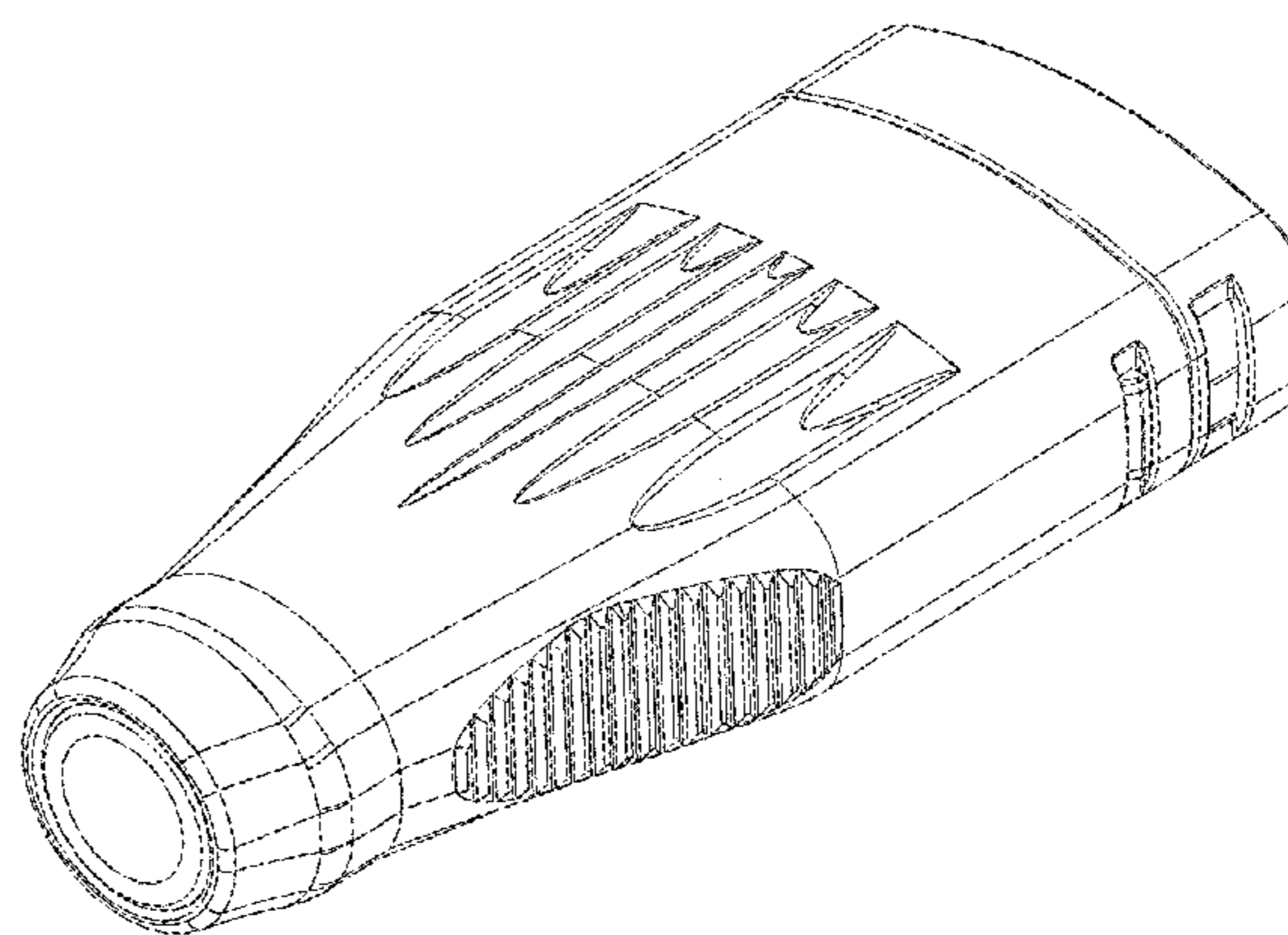
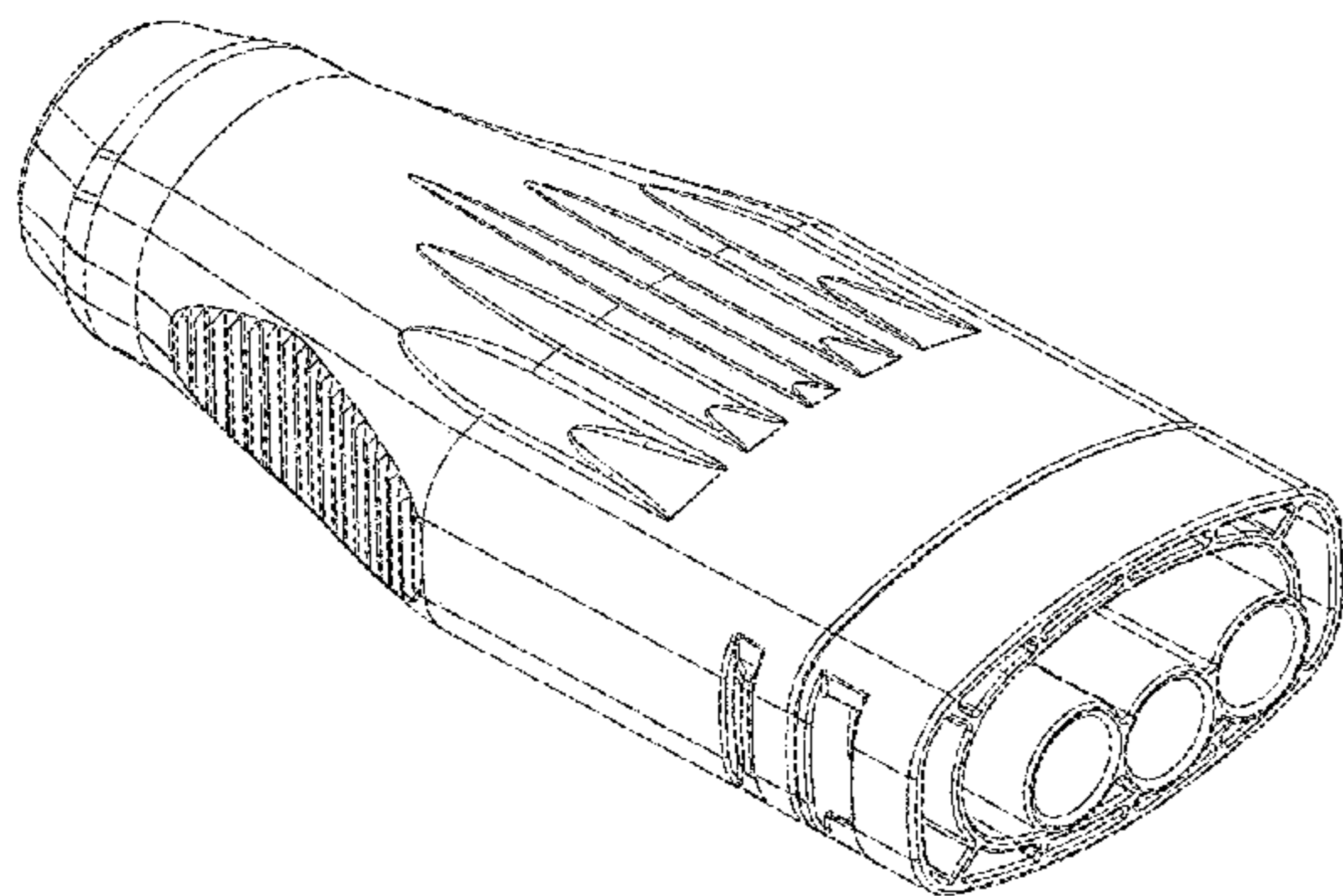
(57) **CLAIM**

The ornamental design for a connector, as shown and described.

DESCRIPTION

FIG. 1 is a front elevation view of a connector showing my new design;
FIG. 2 is a top plan view thereof;
FIG. 3 is a rear elevation view thereof;
FIG. 4 is a bottom view thereof;
FIG. 5 is a left side view thereof;
FIG. 6 is a right side elevation view thereof;
FIG. 7 is a front, top and right side perspective view thereof;
and,
FIG. 8 is a front, top and left side perspective view thereof.
The broken line in the figure drawings is included for the purpose of illustrating unclaimed environment and forms no part of the claimed design.

1 Claim, 7 Drawing Sheets



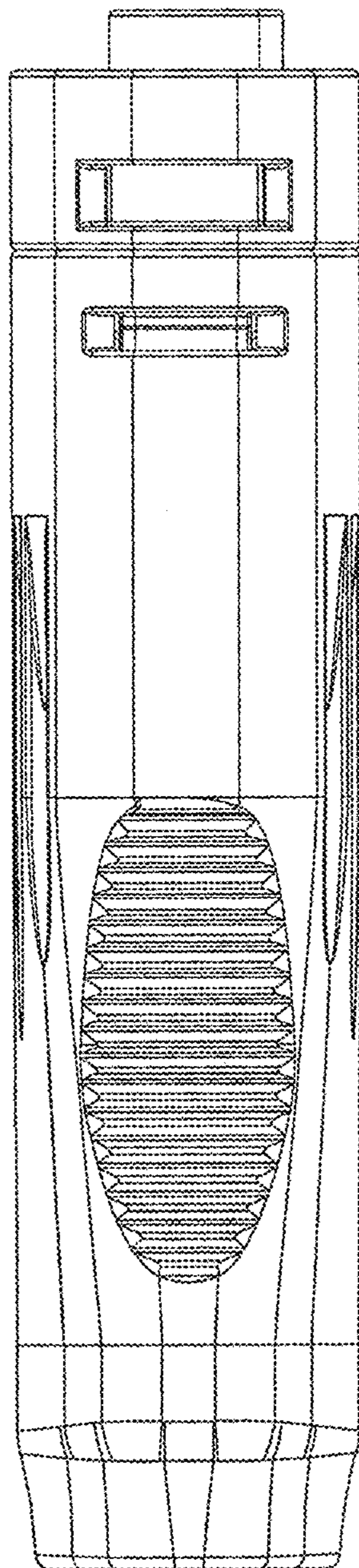


FIG. 1

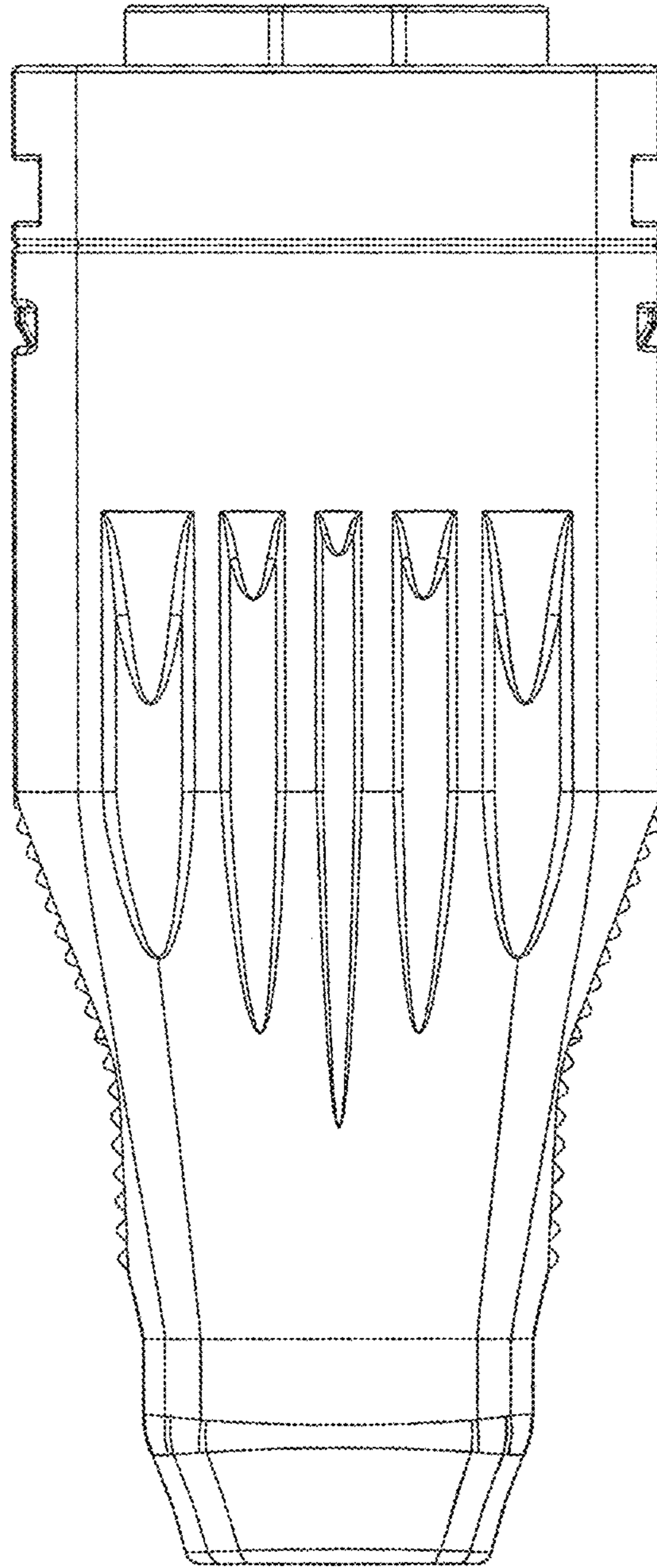


FIG. 2

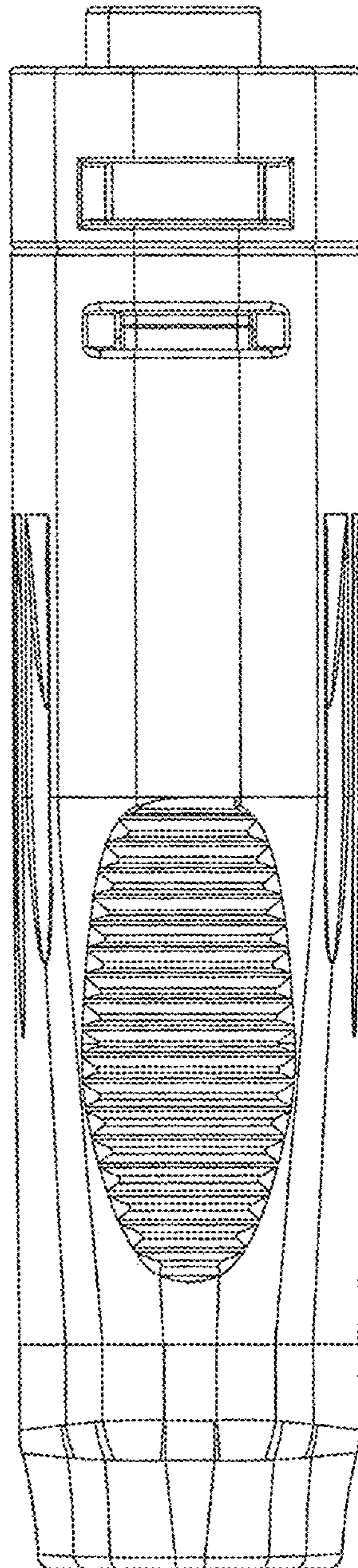


FIG. 3

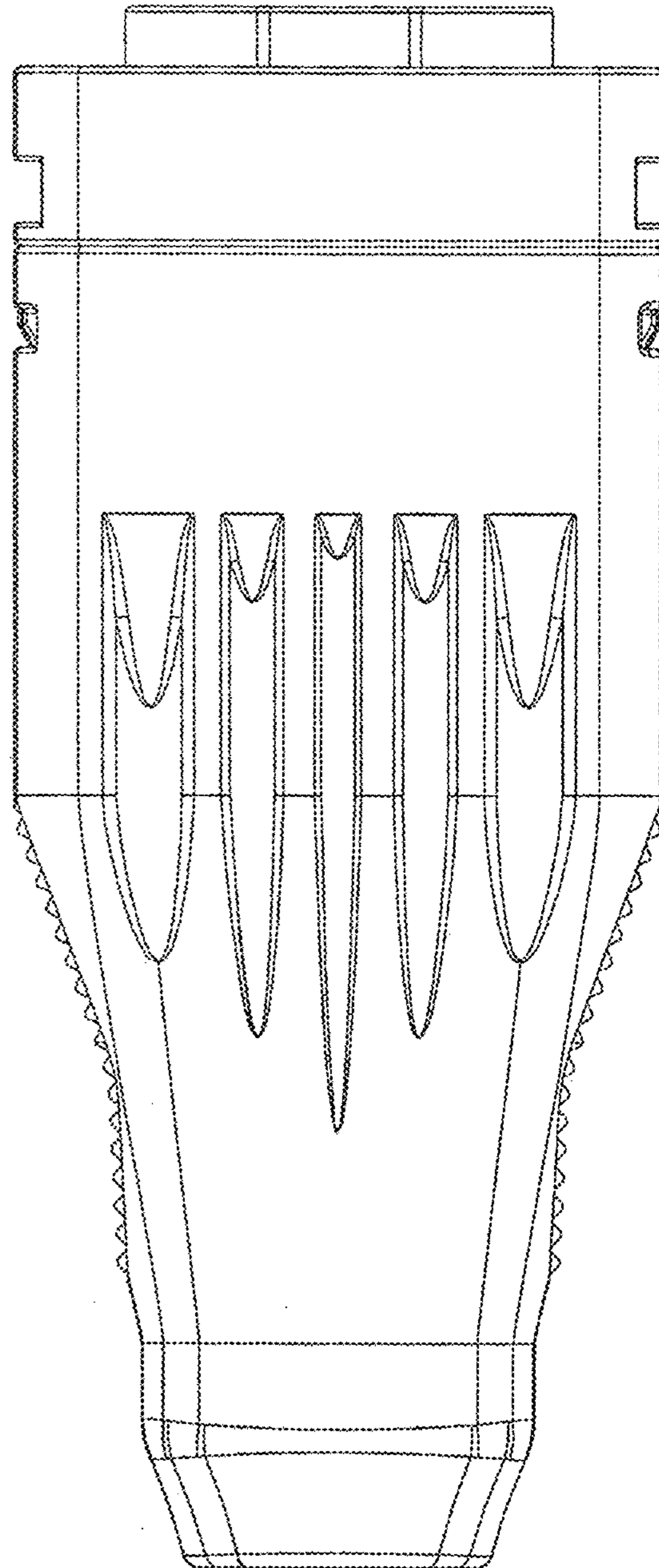


FIG. 4

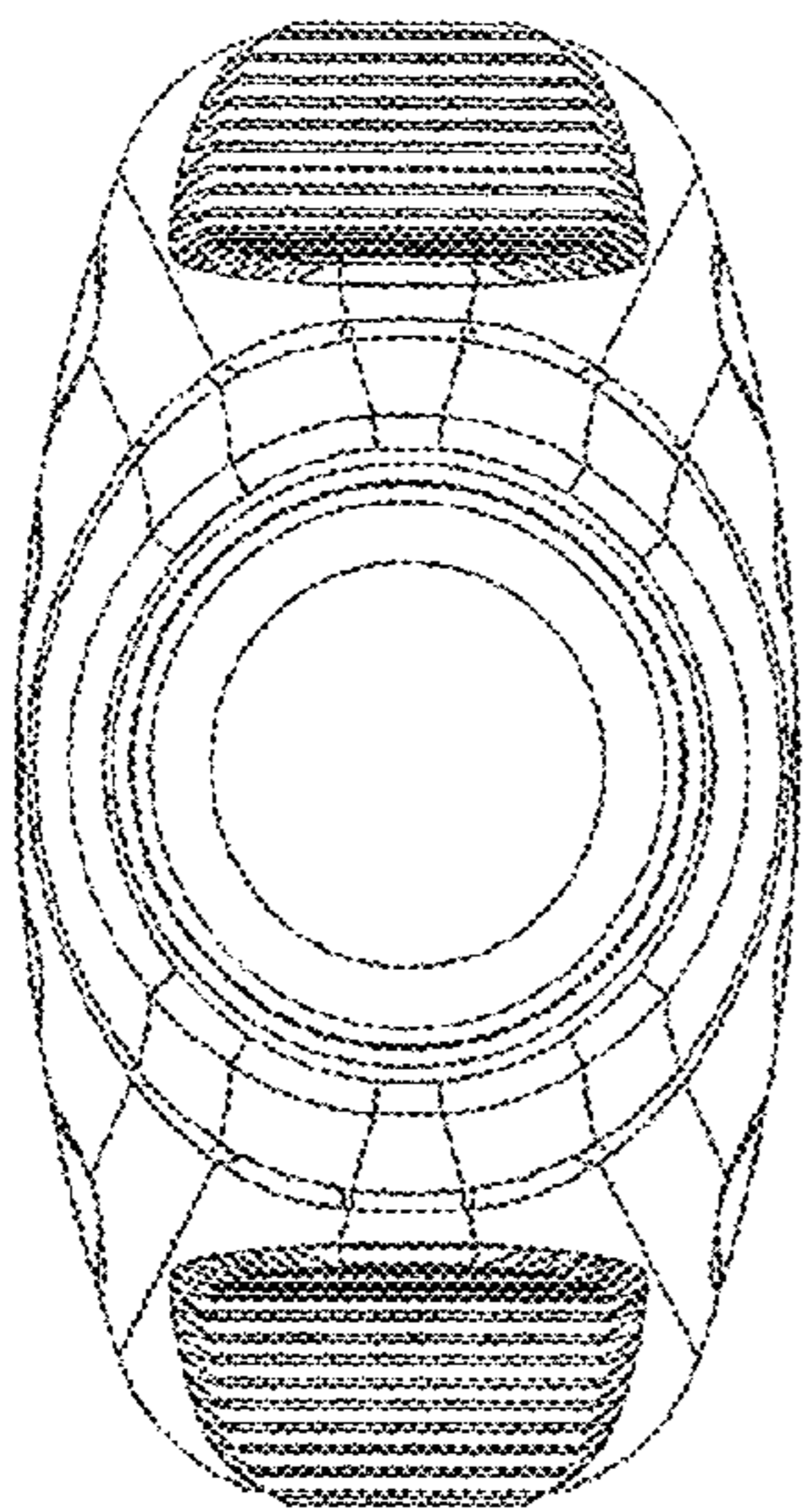


FIG. 5

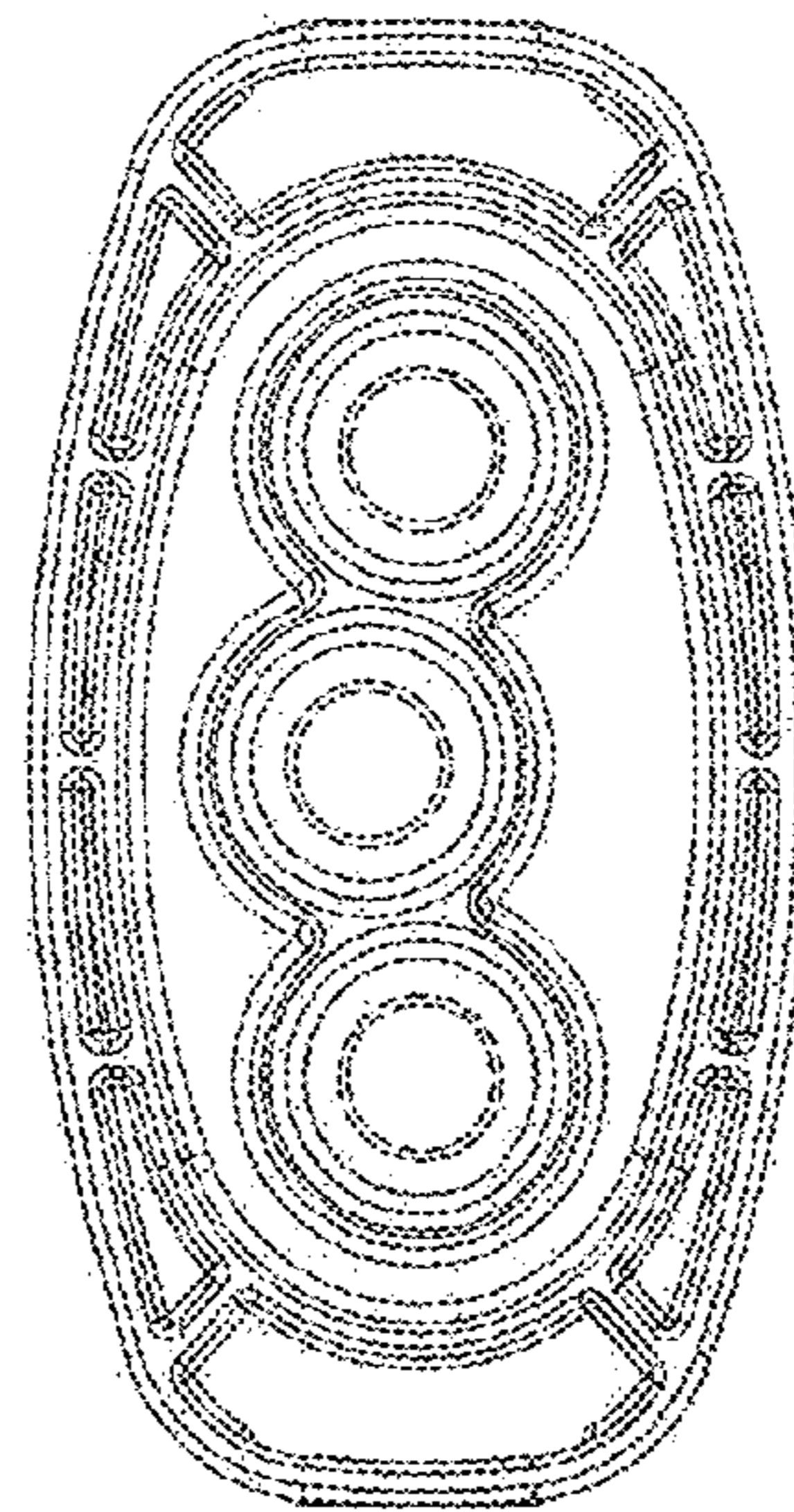


FIG. 6

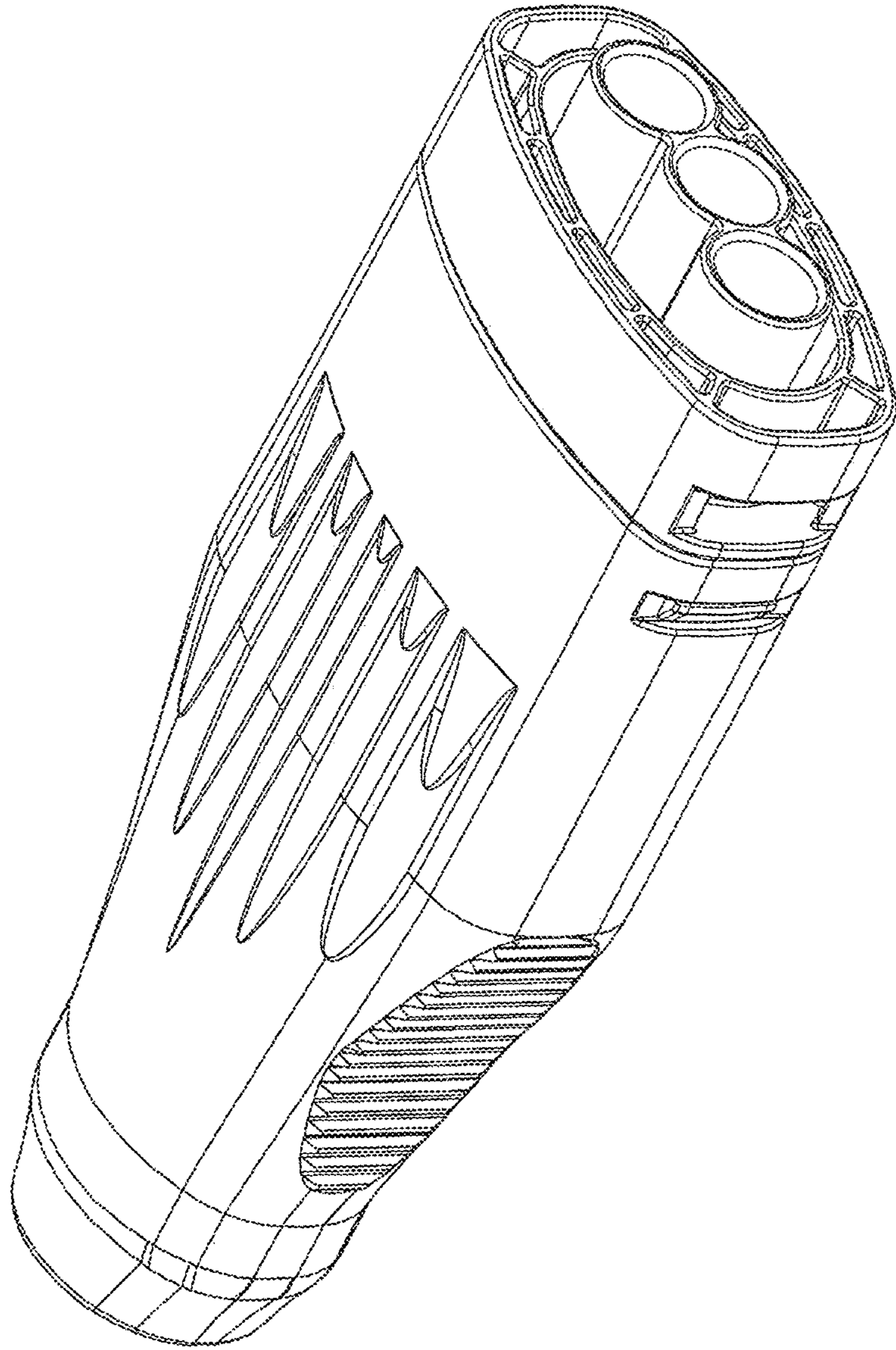


FIG. 7

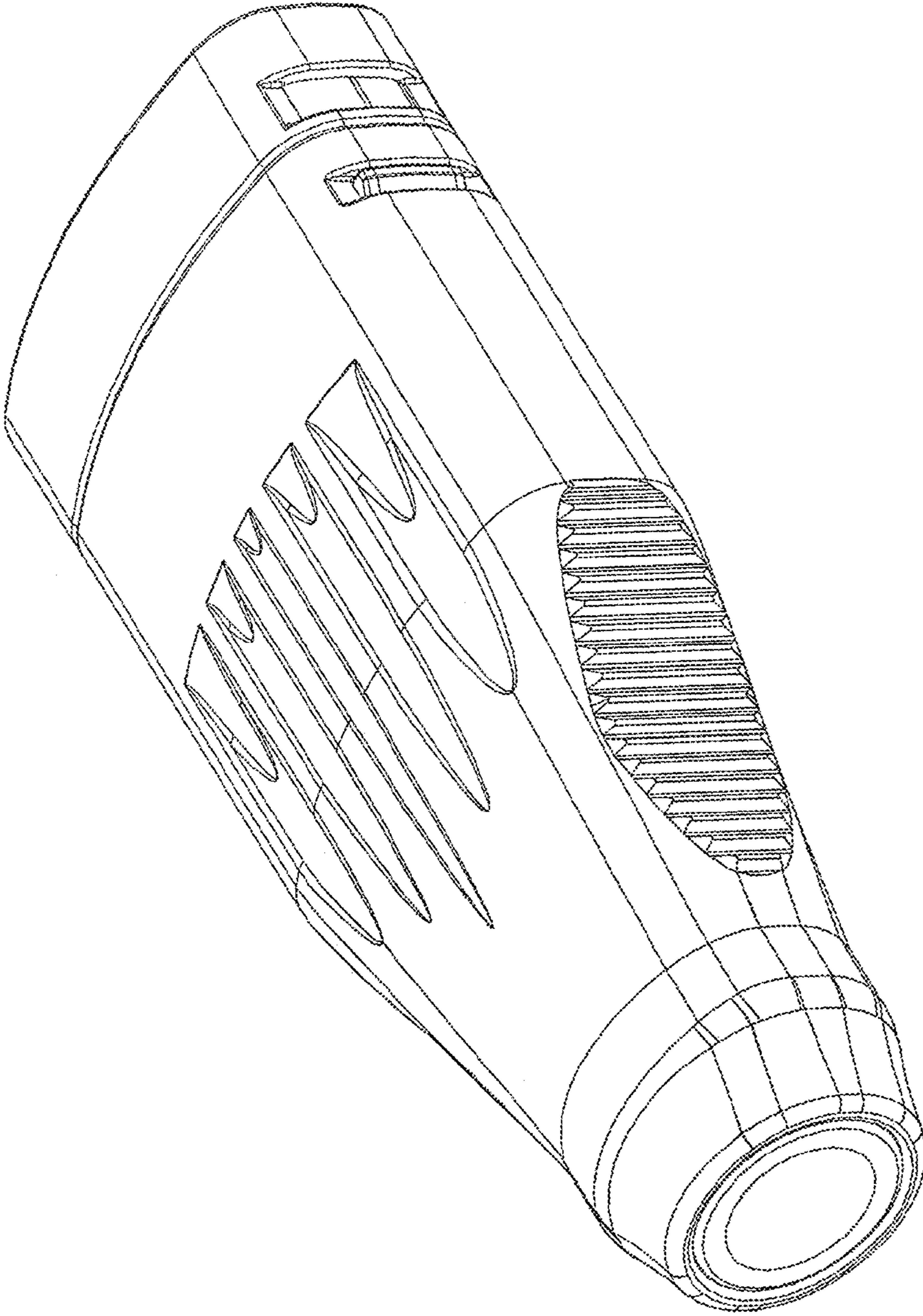


FIG. 8