



US00D755722S

(12) **United States Design Patent**
Sinclair et al.

(10) **Patent No.:** **US D755,722 S**

(45) **Date of Patent:** **** May 10, 2016**

- (54) **ELECTRICAL PLUG HOUSING**
- (71) Applicant: **IP Holdings, LLC**, Vancouver, WA (US)
- (72) Inventors: **Michael Sinclair**, Vancouver, WA (US);
Sergio Corona, Upland, CA (US)
- (73) Assignee: **IP Holdings, LLC**, Vancouver, WA (US)
- (**) Term: **14 Years**
- (21) Appl. No.: **29/520,168**
- (22) Filed: **Mar. 11, 2015**

- 5,613,863 A 3/1997 Klaus
- 5,620,335 A 4/1997 Siemon
- D379,177 S 5/1997 Chu
- D380,732 S 7/1997 Saunders
- D399,822 S 10/1998 Starec
- D400,173 S 10/1998 Starec
- D404,008 S 1/1999 Bennet
- D406,260 S 3/1999 Wardenburg
- 6,074,234 A 6/2000 Hasegawa
- 6,109,977 A 8/2000 Baxter
- D437,828 S 2/2001 Corona
- D439,221 S 3/2001 Corona
- D445,763 S 7/2001 Corona
- D446,186 S 8/2001 Corona
- 6,290,512 B1 9/2001 Mullen
- 6,379,169 B1 4/2002 Corona
- 6,383,003 B1 5/2002 Corona
- D460,049 S 7/2002 McCoy
- 6,435,916 B1 8/2002 Amberg
- D472,883 S 4/2003 Harvey
- D492,652 S 7/2004 McCoy

Related U.S. Application Data

- (63) Continuation of application No. 29/446,133, filed on Feb. 20, 2013, now Pat. No. Des. 726,116.
- (51) **LOC (10) Cl.** **13-03**
- (52) **U.S. Cl.**
USPC **D13/146**
- (58) **Field of Classification Search**
USPC D13/137.01, 137.3, 138.1, 138.2, 139.1,
D13/133, 146, 147, 154, 184, 199
See application file for complete search history.

(Continued)

Primary Examiner — Daniel Bui
(74) *Attorney, Agent, or Firm* — J. Douglas Wells

(57) **CLAIM**
The ornamental design for an electrical plug housing, as shown and described.

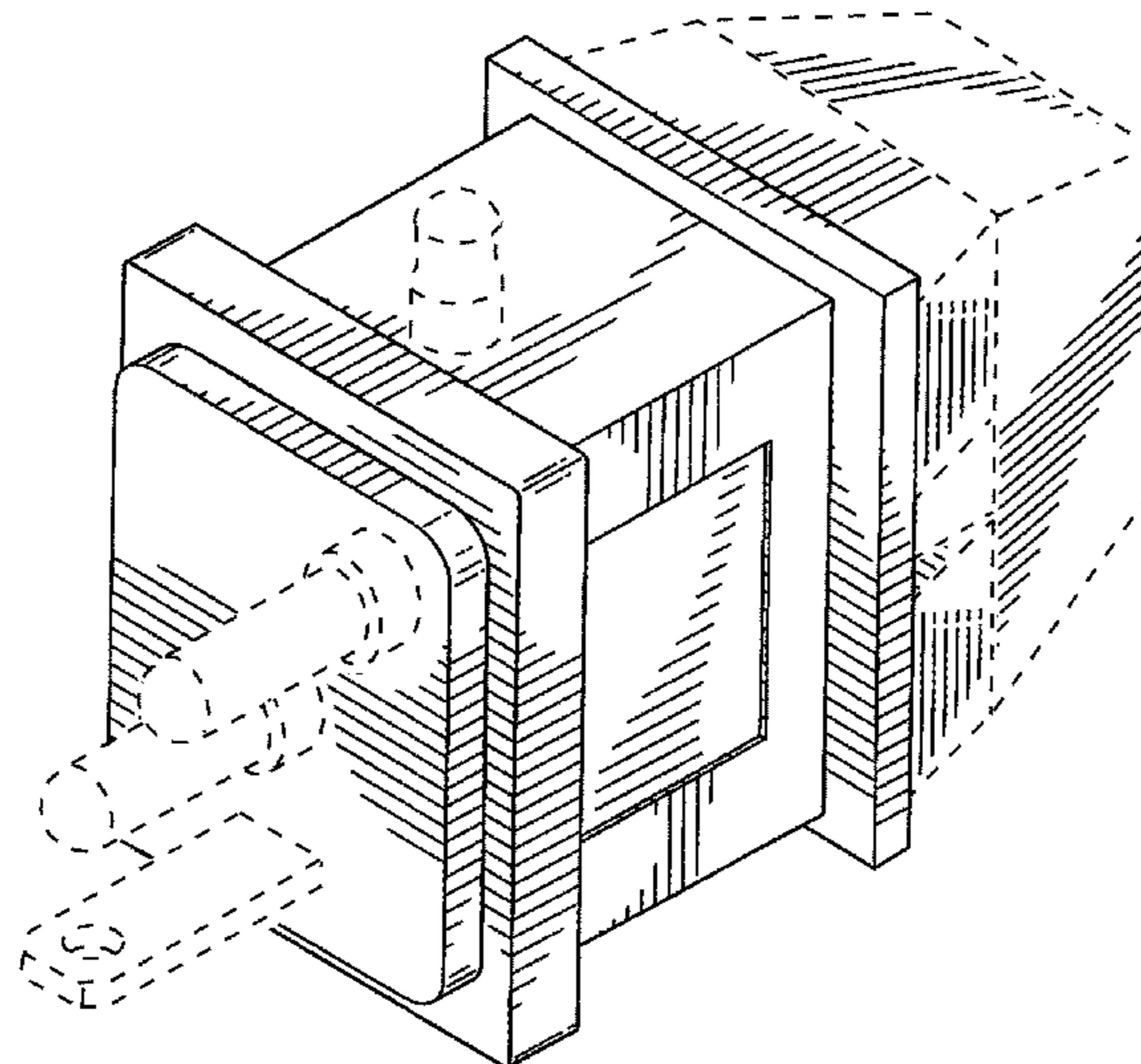
(56) **References Cited**
U.S. PATENT DOCUMENTS

- 3,025,486 A 3/1962 Falconer
- 4,203,004 A 5/1980 Cox
- D286,397 S 10/1986 Challans
- D314,750 S 2/1991 Wegrzyn
- D322,954 S 1/1992 Avramovich
- D324,028 S 2/1992 Sueyoshi
- D358,802 S 5/1995 Kunz
- 5,451,171 A 9/1995 Dickie
- 5,462,457 A 10/1995 Schroepfer
- D373,568 S 9/1996 Bloom
- D375,081 S 10/1996 Sandor
- 5,603,638 A 2/1997 Brown

DESCRIPTION

FIG. 1 is a front, top, and right side perspective view of an electrical plug housing showing our new design;
FIG. 2 is a right side elevation view thereof;
FIG. 3 is a left side elevation view thereof;
FIG. 4 is a top plan view thereof;
FIG. 5 is a bottom plan view thereof;
FIG. 6 is a back elevation view thereof; and,
FIG. 7 is a front elevation view thereof.
The broken line in the drawing views represents unclaimed environment only and forms no part of the claimed design.

1 Claim, 7 Drawing Sheets



(56)

References Cited

U.S. PATENT DOCUMENTS

D493,428 S 7/2004 McCoy
6,790,093 B2 9/2004 Tanaka
D510,067 S 9/2005 Miller
D511,748 S 11/2005 Caine
6,991,482 B1 1/2006 Liao
6,997,723 B2 2/2006 Lee
D530,286 S 10/2006 Phung
D543,941 S 6/2007 Hargreaves

D544,840 S 6/2007 Hargreaves
D545,764 S 7/2007 Allison
D570,295 S 6/2008 Hargreaves
7,390,210 B2 6/2008 Corona
7,431,602 B2 10/2008 Corona
7,785,123 B2 8/2010 Corona
7,791,864 B2 9/2010 Matyas
D677,629 S * 3/2013 Corona D13/133
D678,200 S 3/2013 Corona
D726,116 S 4/2015 Corona
2003/0068909 A1 4/2003 Su

* cited by examiner

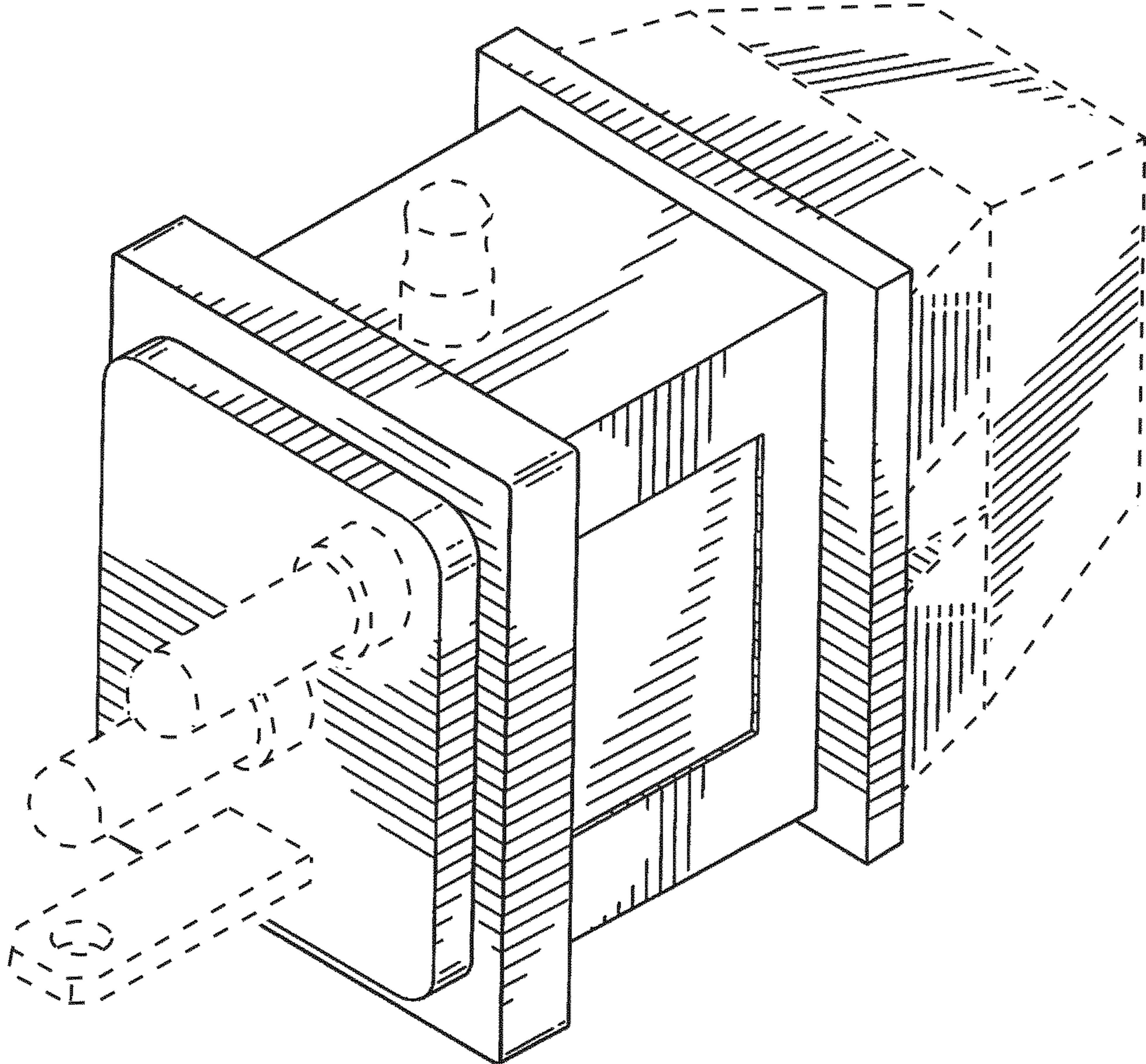


FIG. 1

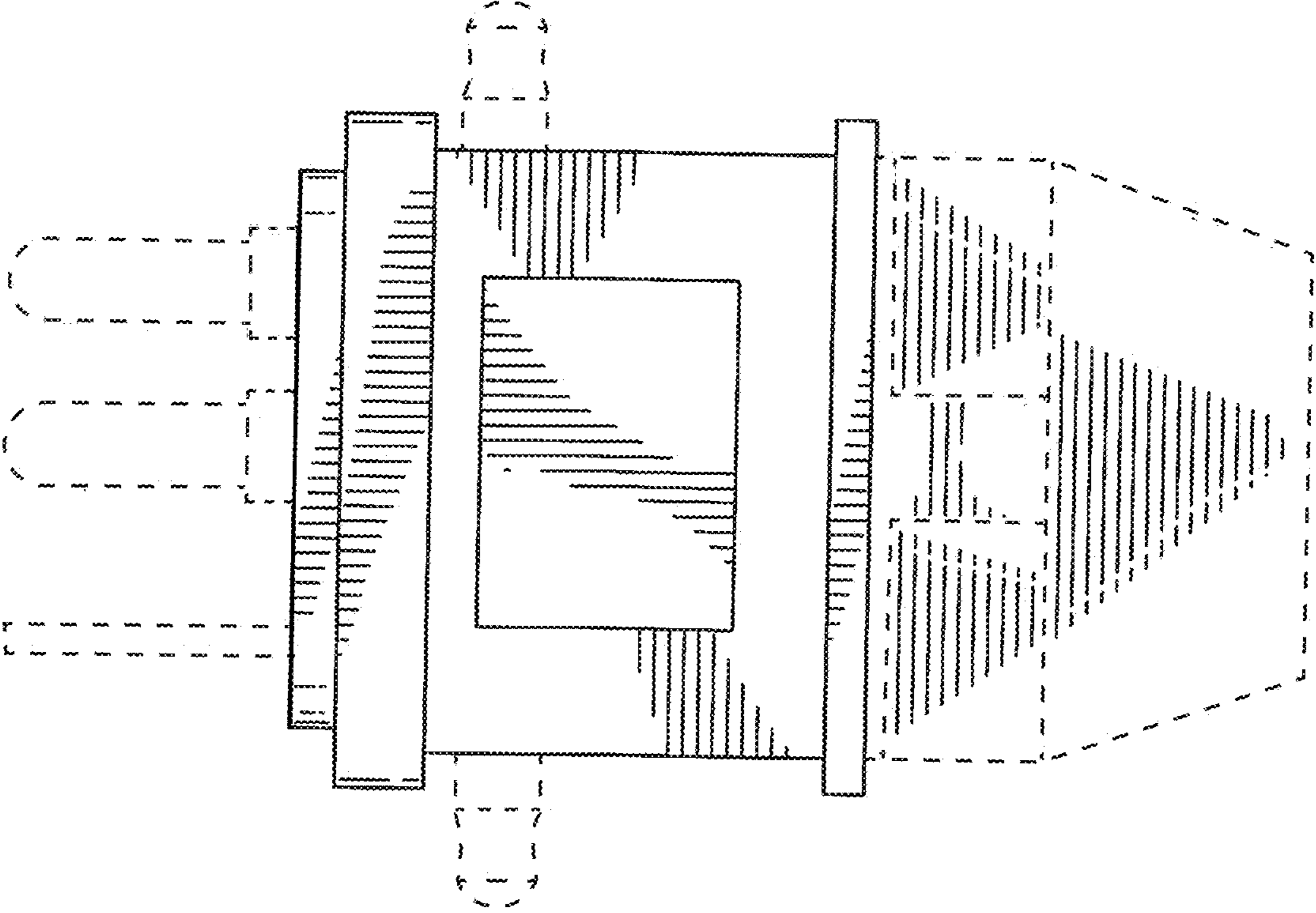


FIG. 2

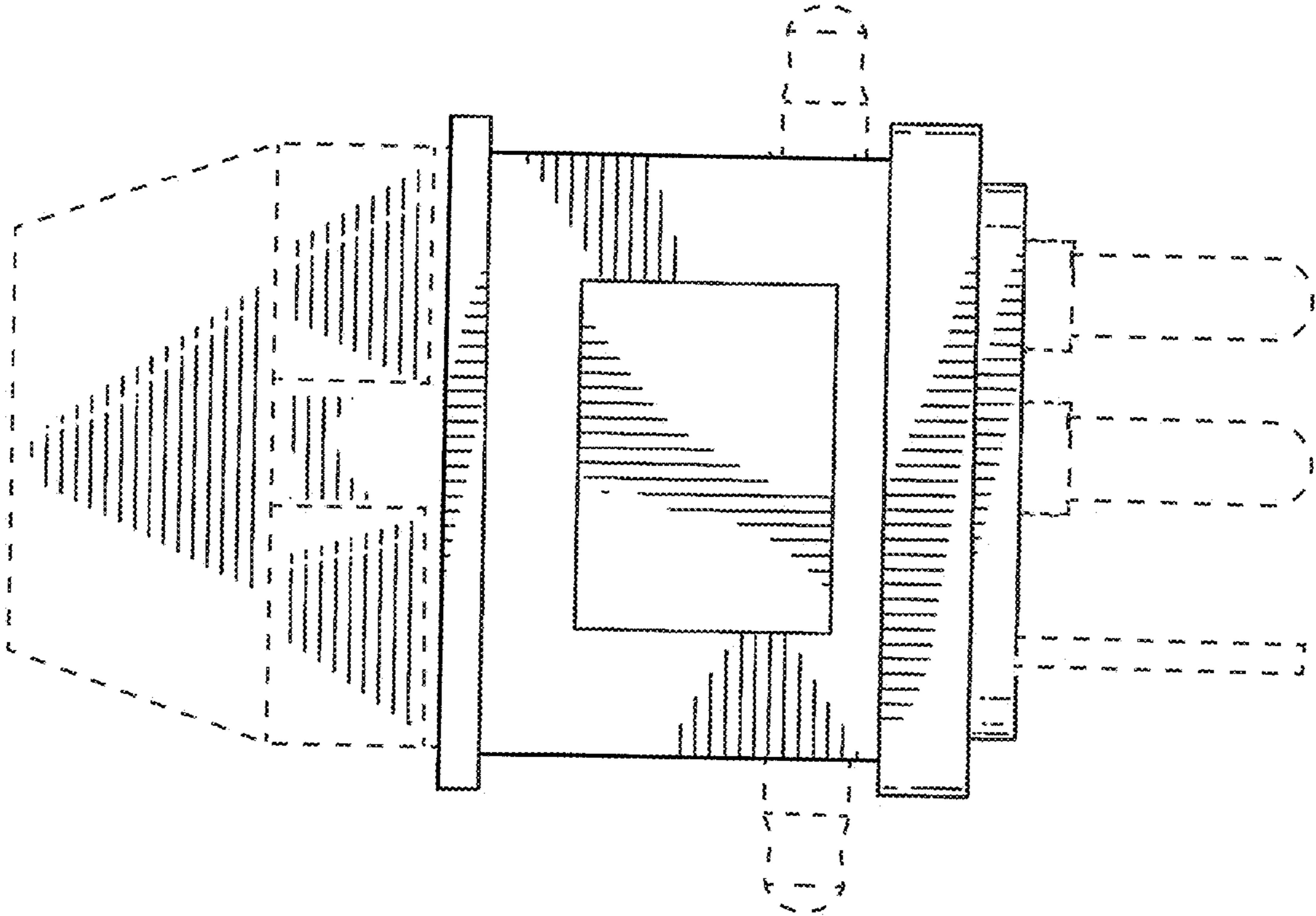


FIG. 3

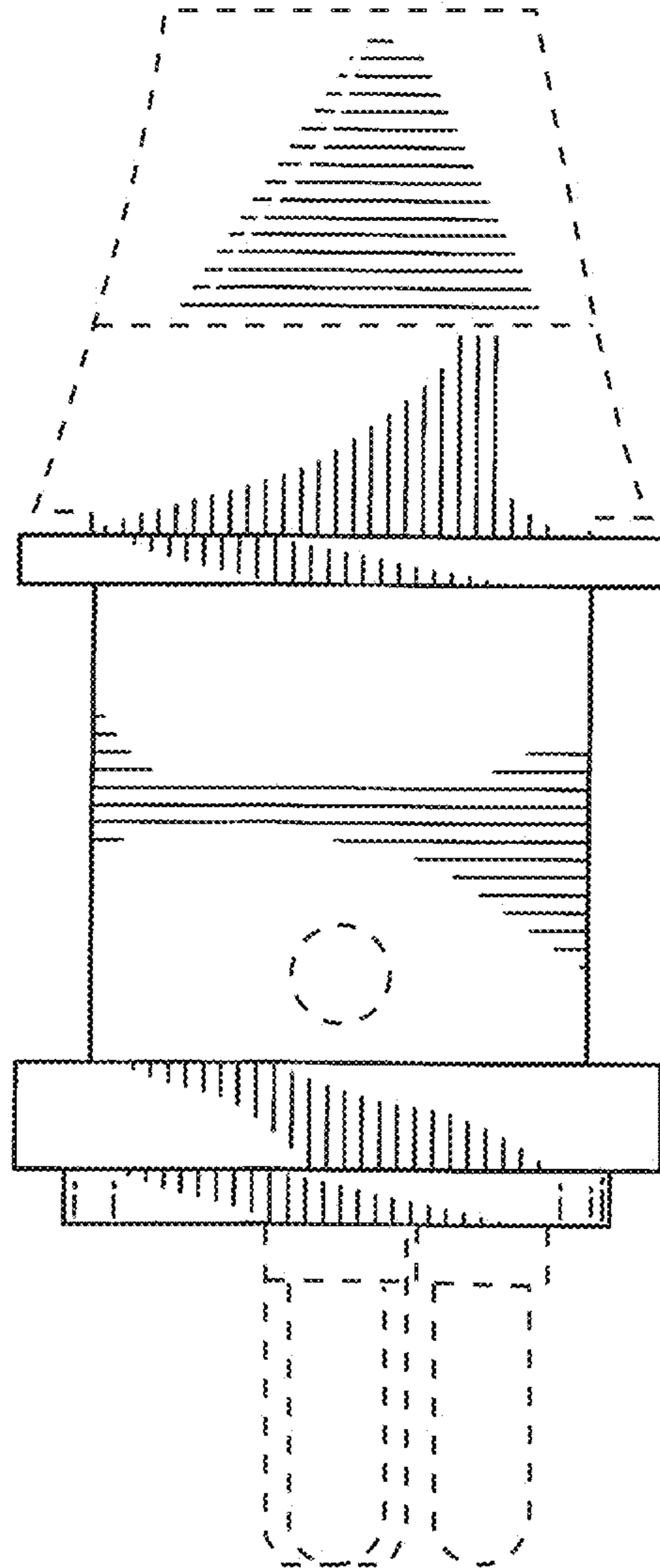


FIG. 4

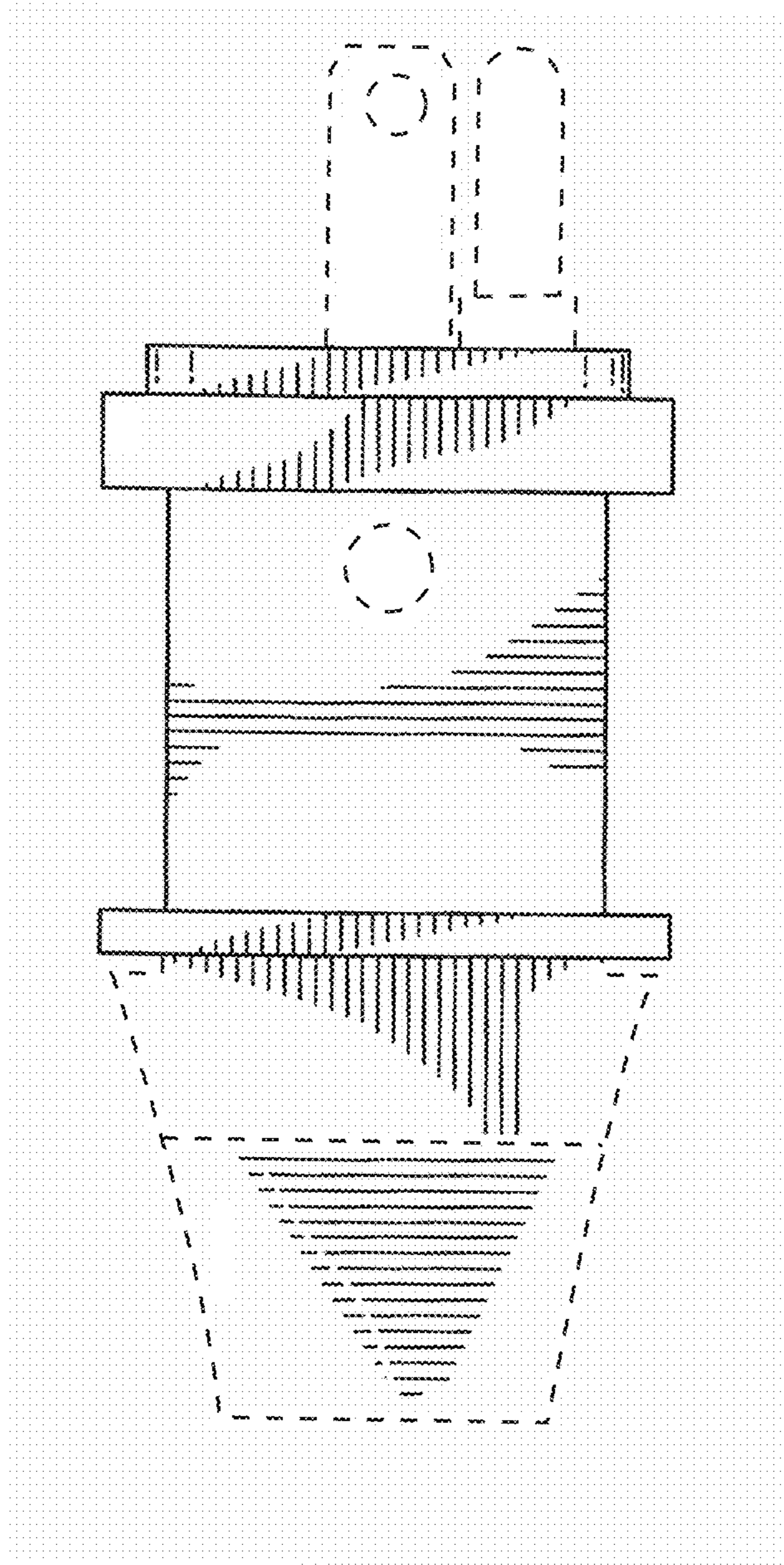


FIG. 5

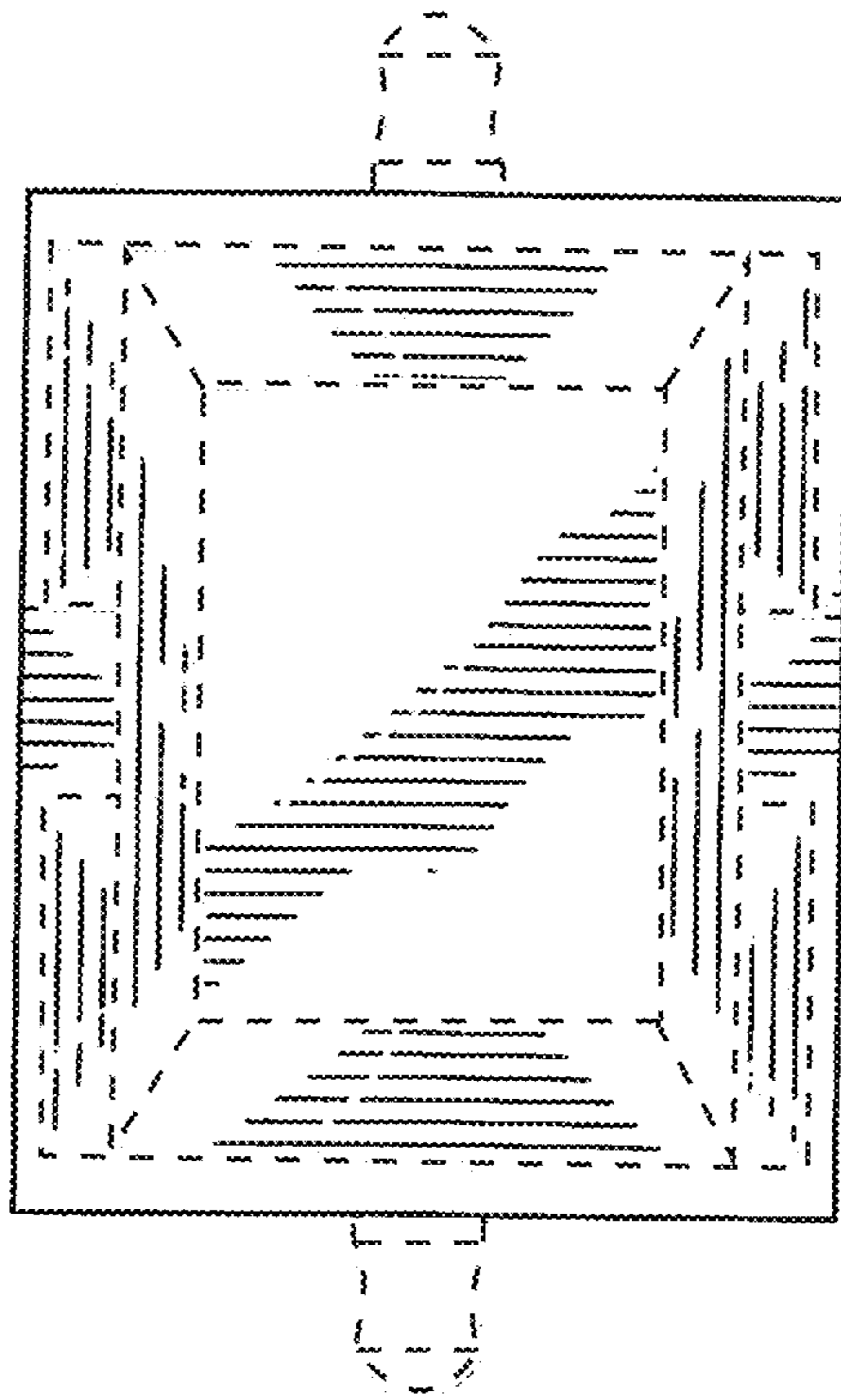


FIG. 6

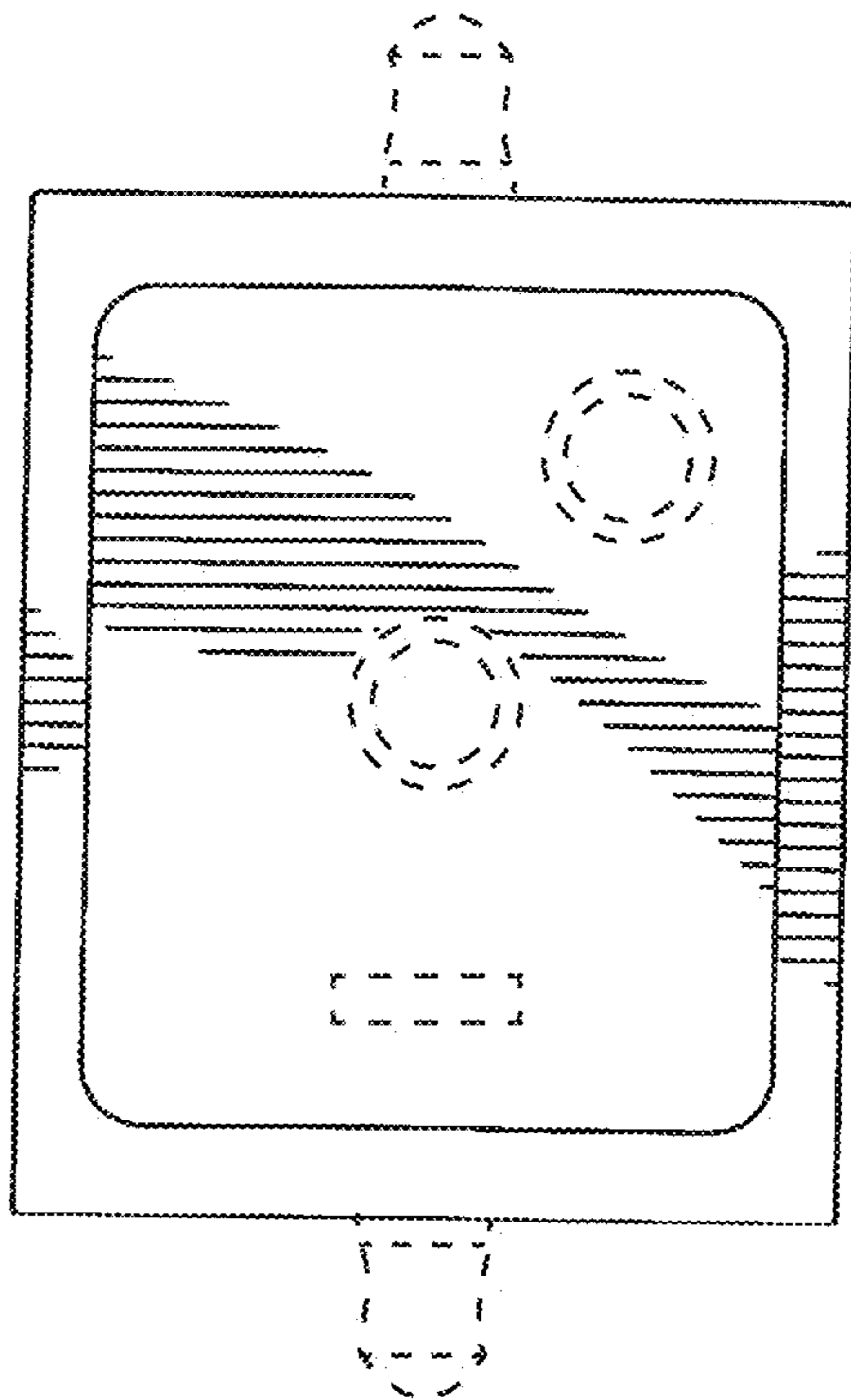


FIG. 7