



US00D755718S

(12) **United States Design Patent**
Wu

(10) **Patent No.:** **US D755,718 S**
(45) **Date of Patent:** **** May 10, 2016**

(54) **VIBRATION GENERATOR WITH CLAMPING
FIXTURE**

(71) Applicant: **CHUAN LIANG INDUSTRIAL CO.,
LTD., Taichung (TW)**

(72) Inventor: **Jung-Chun Wu, Taichung (TW)**

(73) Assignee: **CHUAN LIANG INDUSTRIAL CO.,
LTD., Taichung (TW)**

(**) Term: **14 Years**

(21) Appl. No.: **29/503,467**

(22) Filed: **Sep. 26, 2014**

(51) **LOC (10) Cl.** **13-01**

(52) **U.S. Cl.**
USPC **D13/114**

(58) **Field of Classification Search**
USPC D13/112, 101, 110, 113-118, 122, 123,
D13/154, 162, 164, 184, 199; 29/596, 598;
74/606 R, 609; 310/10, 40 MM, 40 R,
310/42, 51, 52, 58, 64, 71, 80, 83, 85, 88,
310/89, 91, 109, 236, 239, 254; 318/245,
318/255; 322/16, 39; 361/688, 704, 709
CPC H05K 5/24; H05K 3/24; H05K 3/47;
F16H 2057/02034; F16H 57/031; Y10T
74/2186

See application file for complete search history.

(56) **References Cited**

U.S. PATENT DOCUMENTS

D184,345 S * 2/1959 Ernst D13/112
D364,375 S * 11/1995 Sakashita et al. D13/112

D462,937 S * 9/2002 Nord D13/112
D516,506 S * 3/2006 Ichimaru et al. D13/112
D633,867 S * 3/2011 Sasaki et al. D13/112
8,201,478 B2 * 6/2012 Ramirez et al. 74/606 R
D693,300 S * 11/2013 Fukasawa et al. D13/112
D694,186 S * 11/2013 Terashita et al. D13/112
D709,450 S * 7/2014 Tanabe et al. D13/112
D709,451 S * 7/2014 Tanabe et al. D13/112
D710,801 S * 8/2014 Tanaka et al. D13/112
2013/0220073 A1 * 8/2013 Suto et al. 74/606 R
2013/0285484 A1 * 10/2013 Billman et al. 310/51

* cited by examiner

Primary Examiner — Derrick Holland

Assistant Examiner — Jennifer O King

(74) *Attorney, Agent, or Firm* — Jackson IPG PLLC;
Demian K. Jackson

(57) **CLAIM**

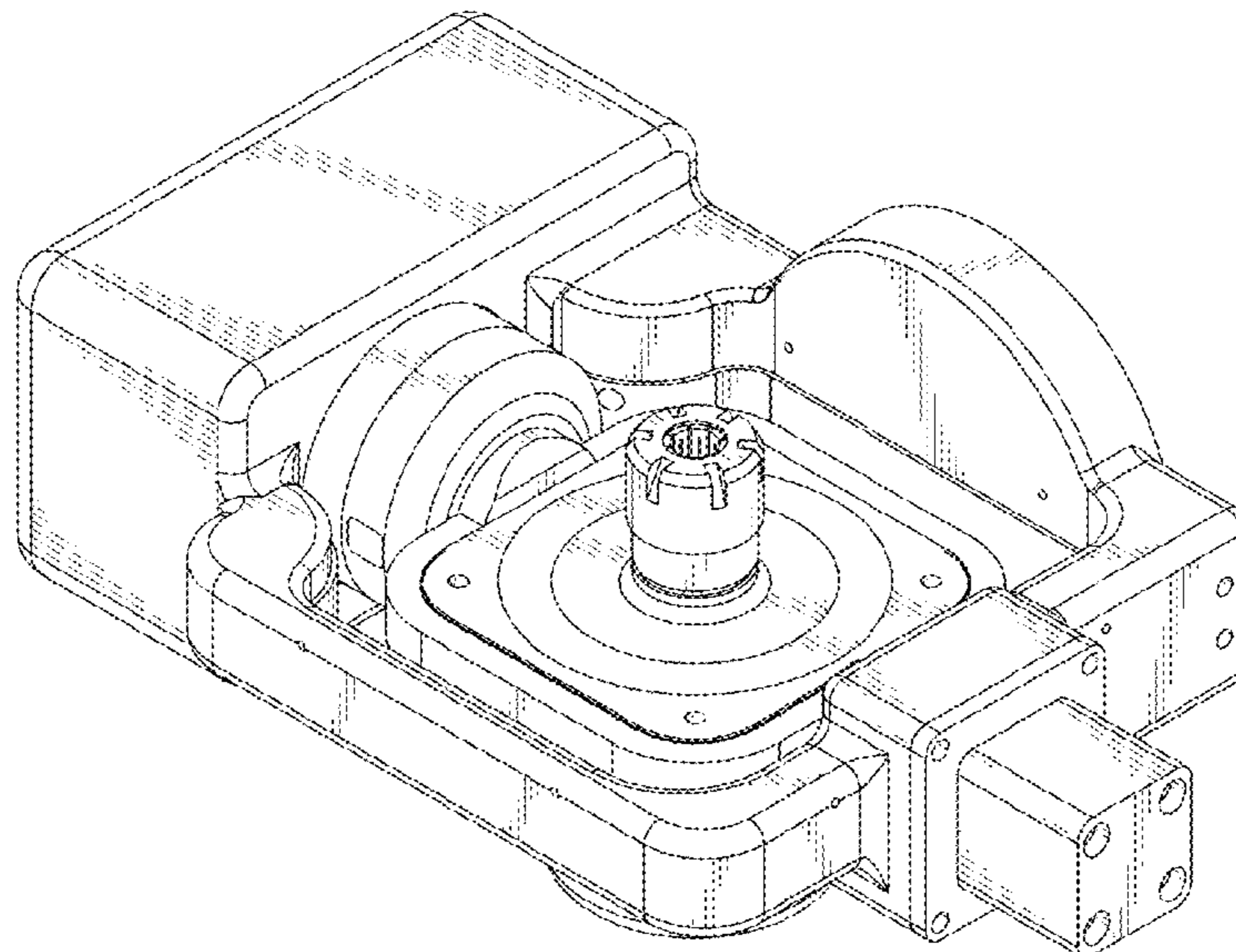
The ornamental design for a vibration generator with clamp-
ing fixture, as shown and described.

DESCRIPTION

FIG. 1 a perspective view of a vibration generator with clamp-
ing fixture showing my new design;
FIG. 2 is a front elevation view thereof;
FIG. 3 is a rear elevation view thereof;
FIG. 4 is a left side view thereof;
FIG. 5 is a right side view thereof;
FIG. 6 is a top plan view thereof; and,
FIG. 7 is a bottom plan view thereof.

The broken lines shown represent unclaimed subject matter
and form no part of the claimed design.

1 Claim, 7 Drawing Sheets



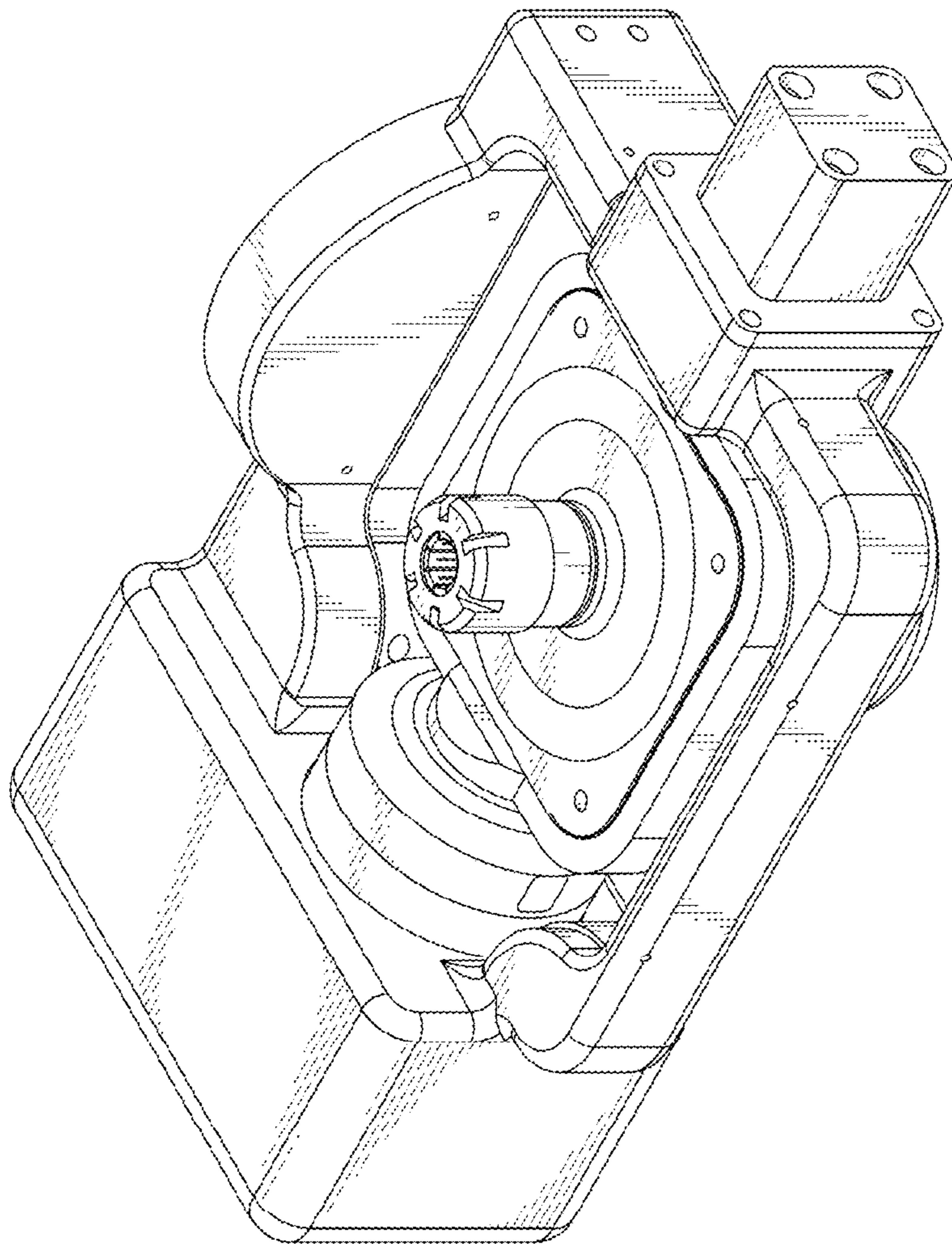


Fig . 1

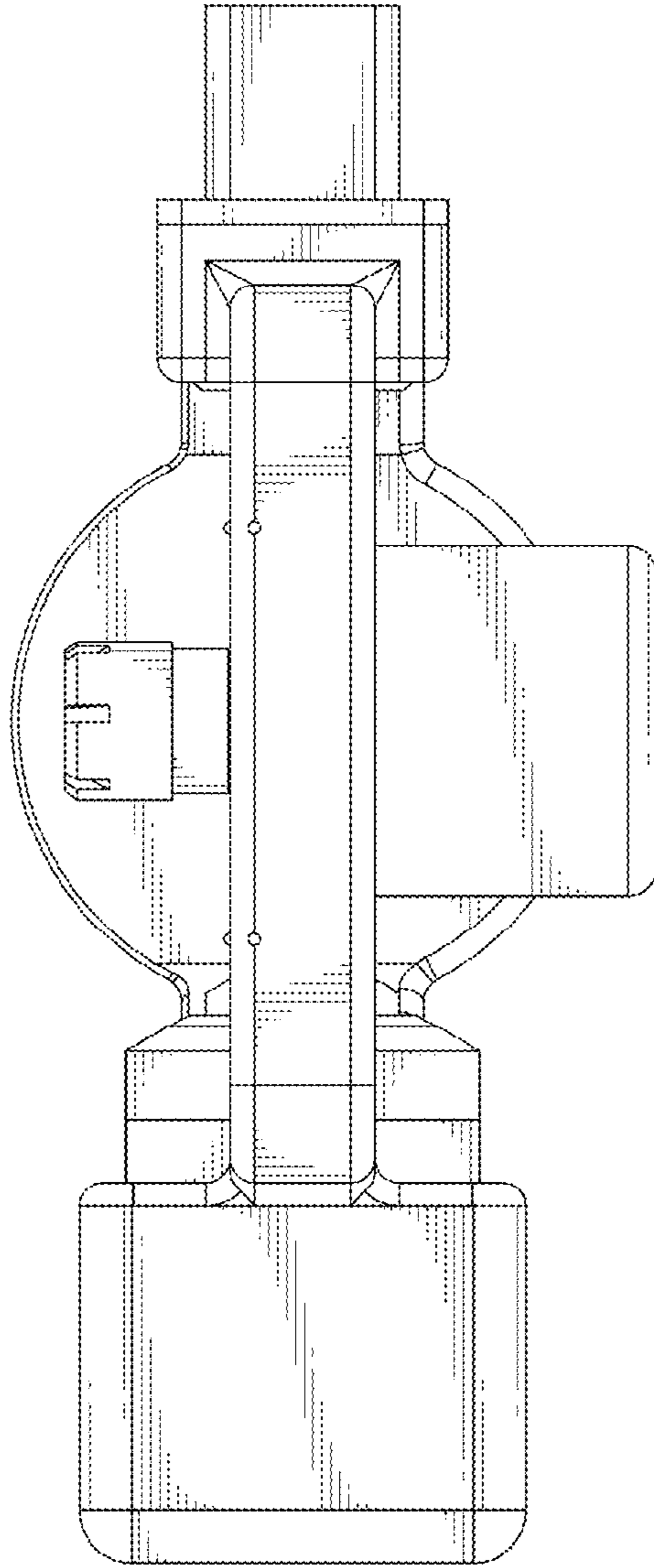


Fig . 2

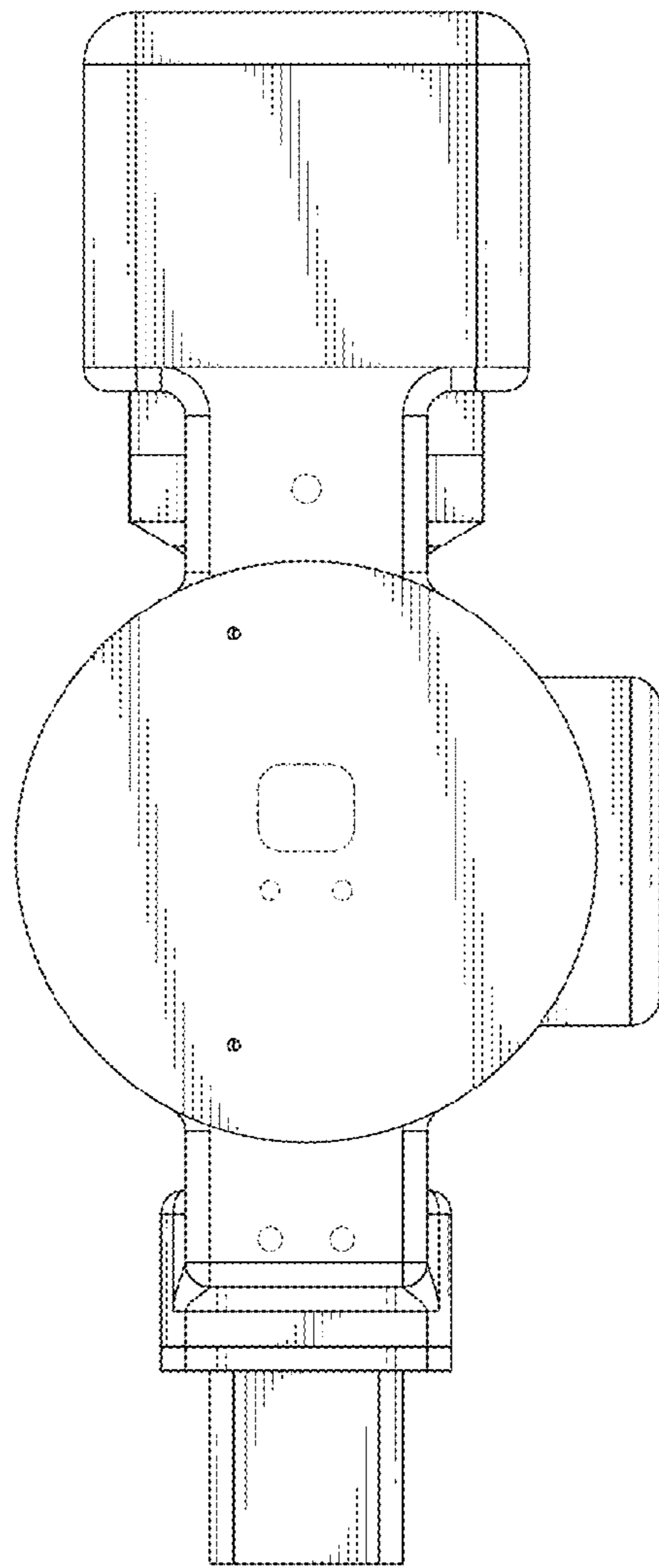


Fig . 3

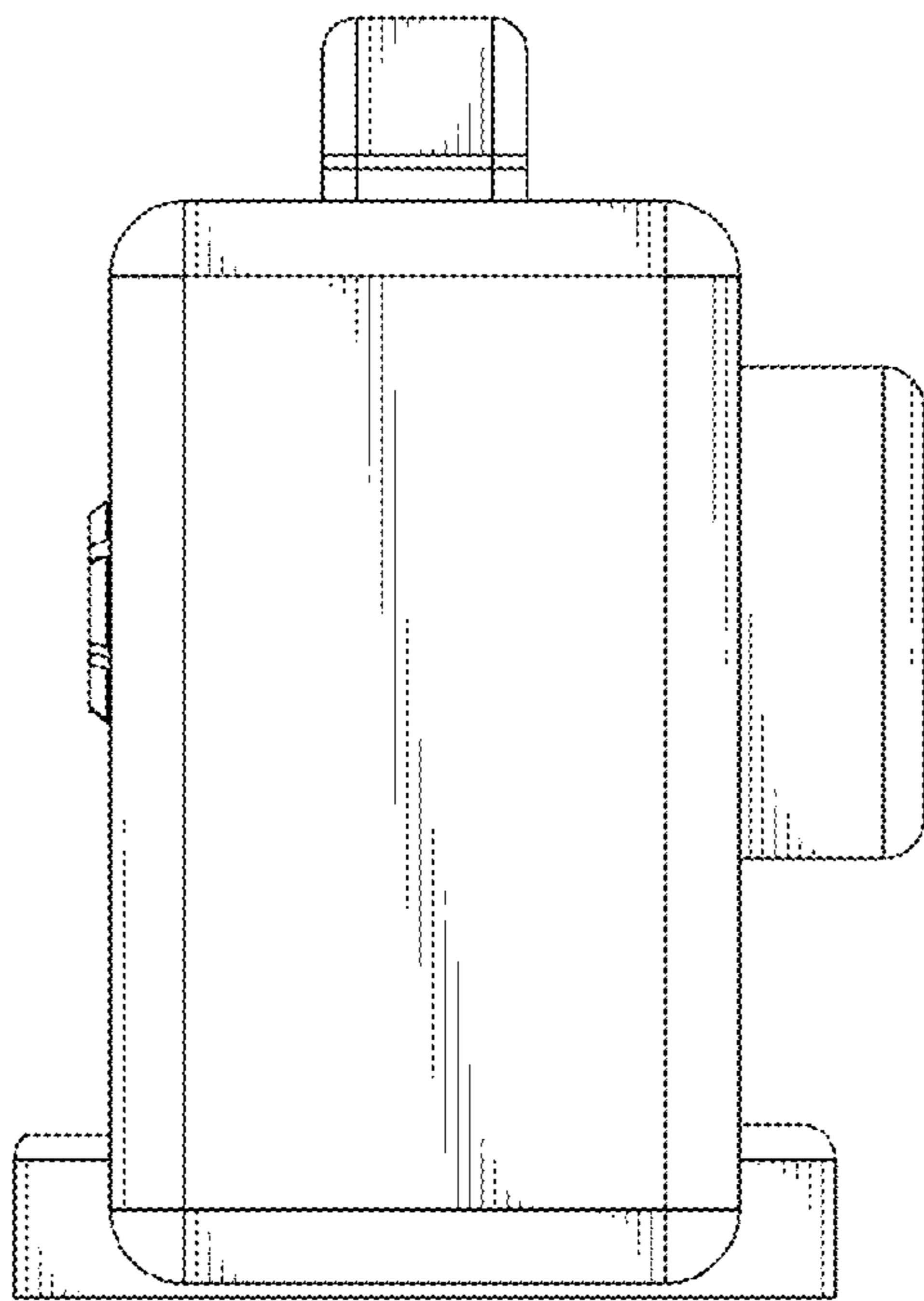


Fig . 4

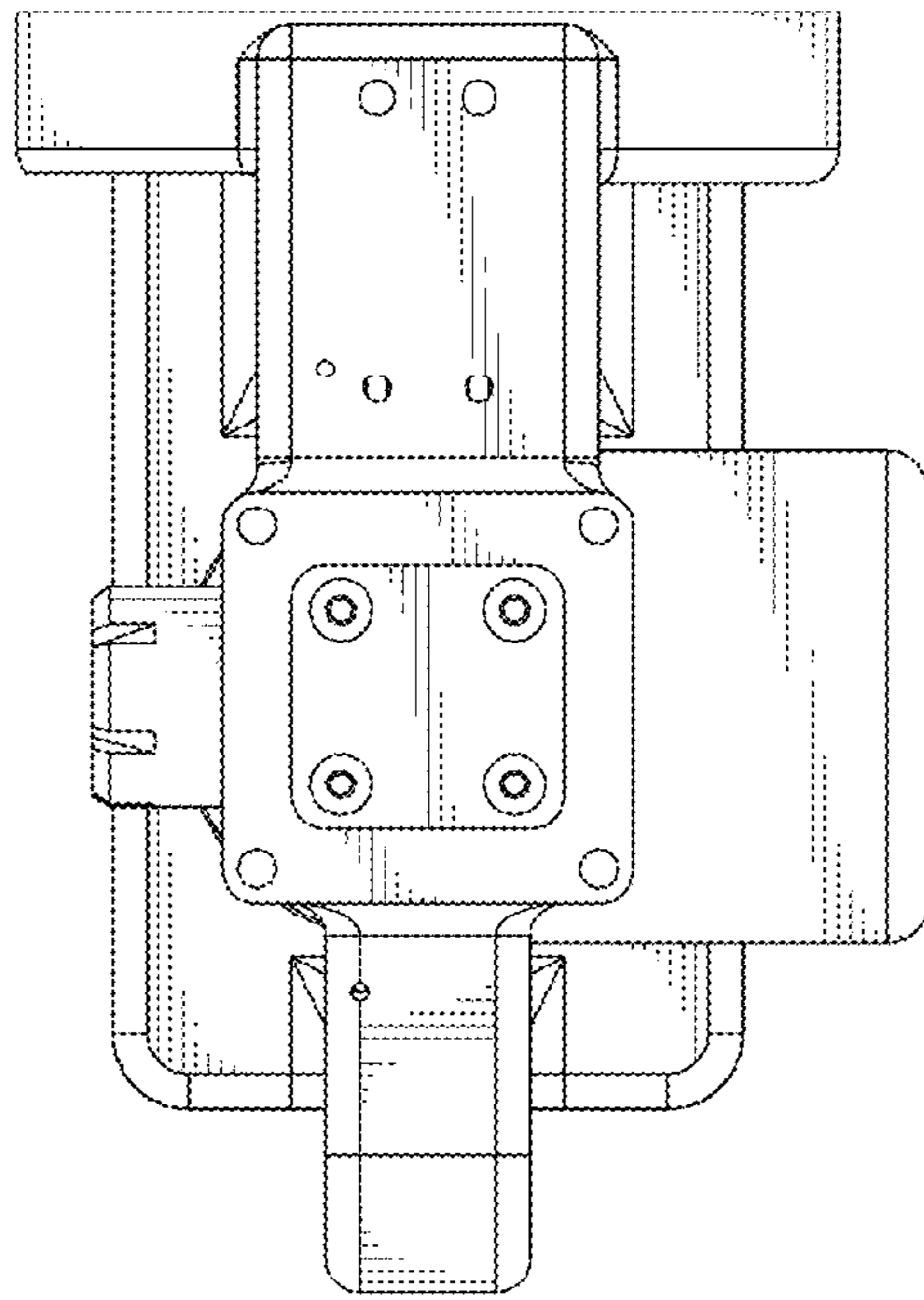


Fig . 5

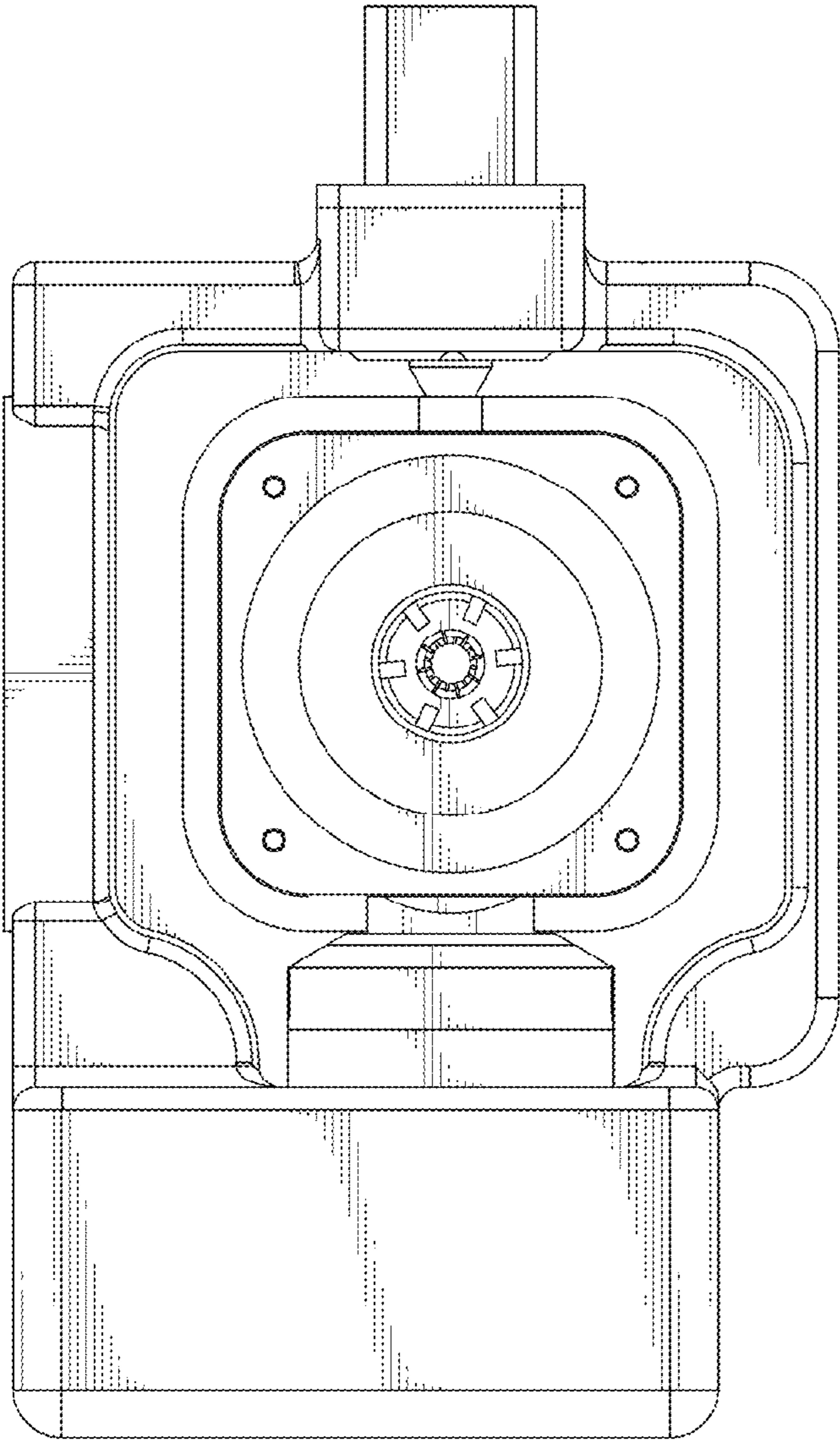


Fig .6

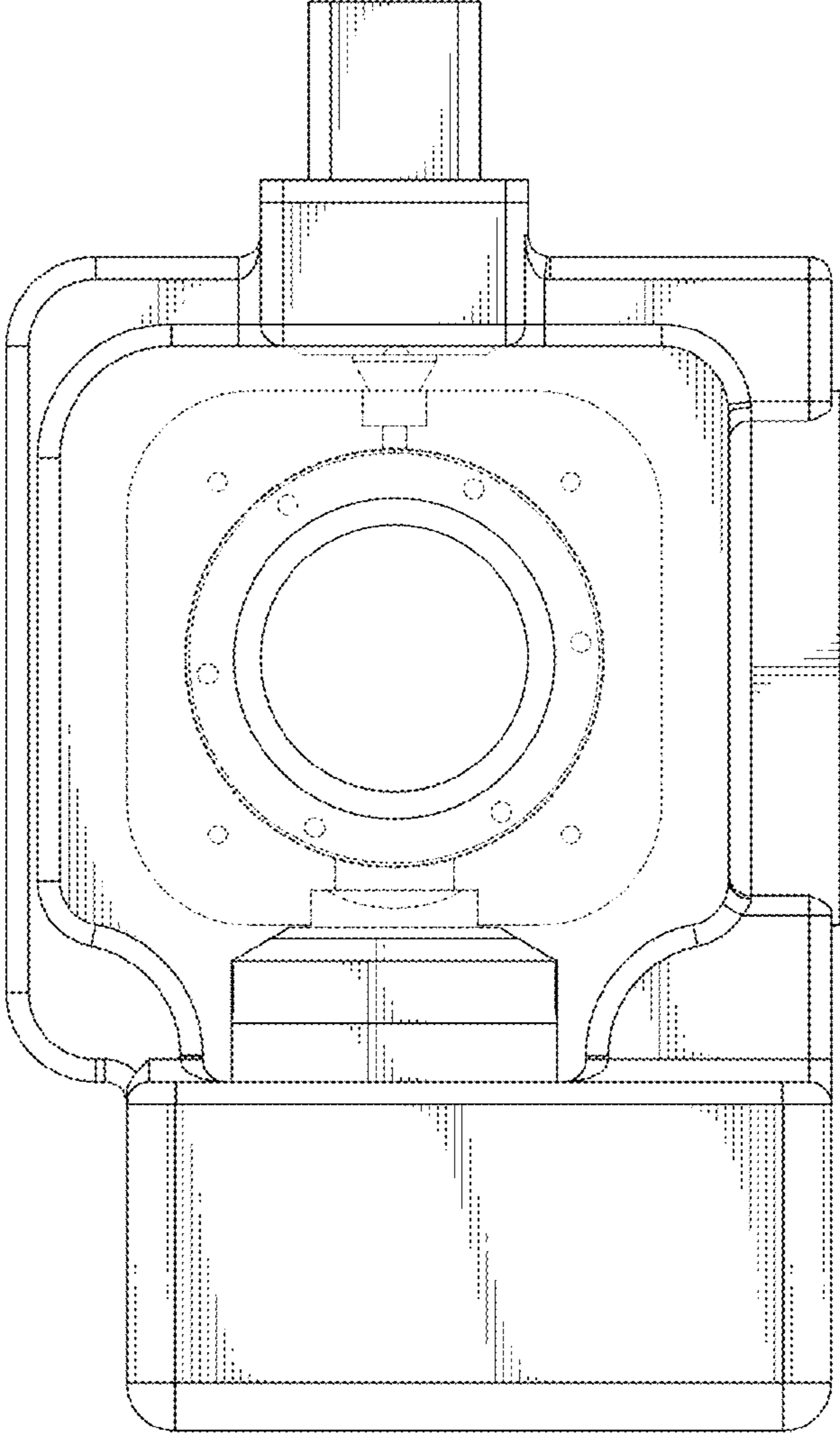


Fig . 7