



US00D755716S

(12) **United States Design Patent**
Navid

(10) **Patent No.:** **US D755,716 S**
(45) **Date of Patent:** **** May 10, 2016**

(54) **MODULAR CHARGER FOR A GAMING CONSOLE**

(71) Applicant: **NYKO Technologies, Inc.**, Los Angeles, CA (US)

(72) Inventor: **Amir Navid**, Sherman Oaks, CA (US)

(73) Assignee: **Nyko Technologies, Inc.**, Los Angeles, CA (US)

(**) Term: **14 Years**

(21) Appl. No.: **29/496,271**

(22) Filed: **Jul. 10, 2014**

(51) **LOC (10) Cl.** **13-02**

(52) **U.S. Cl.**
USPC **D13/108**

(58) **Field of Classification Search**

USPC D13/102-110, 118-119, 184, 199, 133, D13/144; D14/251, 253, 432, 434, 356, D14/155; D15/9

CPC Y02E 60/12; Y02E 60/10; Y02E 60/122; Y02E 60/124; Y02E 60/50; Y02T 90/14; Y02T 90/122; Y02T 90/128; Y02T 90/163; H02J 7/025; H02J 7/0042; H02J 7/0044; H02J 7/0045; H02J 7/0003; H01F 38/14; H01R 13/6675; H01M 2/1022; H01M 2/1055; H01M 10/44; H01M 10/46; H01M 10/425; B60L 11/182

See application file for complete search history.

(56) **References Cited**

U.S. PATENT DOCUMENTS

D630,577 S * 1/2011 Eubanks D13/102
D644,989 S * 9/2011 Guccione D13/108
D676,374 S * 2/2013 Chu D13/102

* cited by examiner

Primary Examiner — Rosemary K Tarcza

Assistant Examiner — Sanjeev Paul

(74) *Attorney, Agent, or Firm* — Burch Dallmann LLP

(57) **CLAIM**

The ornamental design for a modular charger for a gaming console, as shown and described.

DESCRIPTION

FIG. 1 is a front-right perspective view of a modular charger for a gaming console showing my new design;

FIG. 2 is a front-left perspective view of the modular charger for a gaming console of FIG. 1;

FIG. 3 is a rear-right perspective view of the modular charger for a gaming console of FIG. 1;

FIG. 4 is a top view of the modular charger for a gaming console of FIG. 1;

FIG. 5 is a bottom view of the modular charger for a gaming console of FIG. 1;

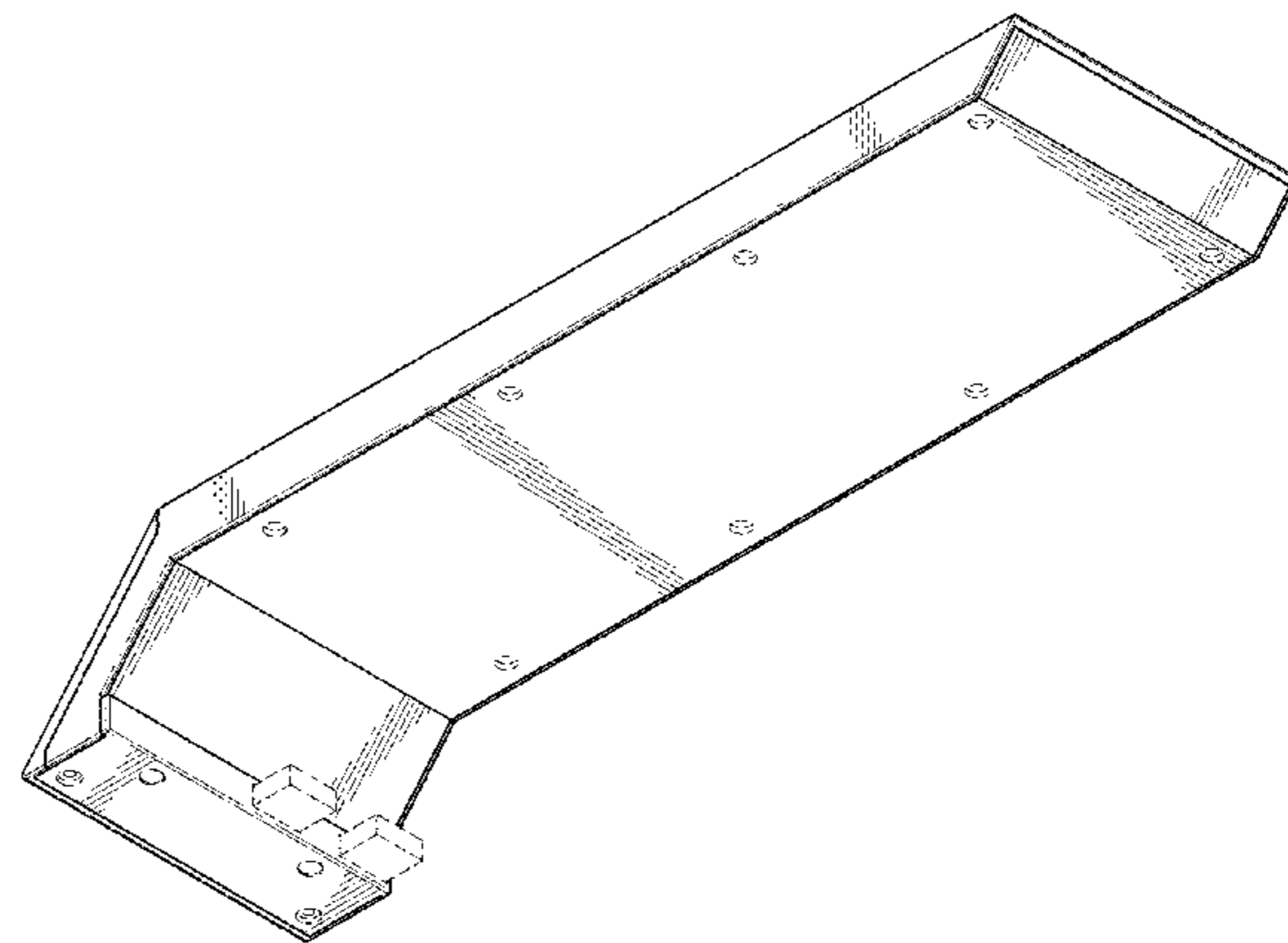
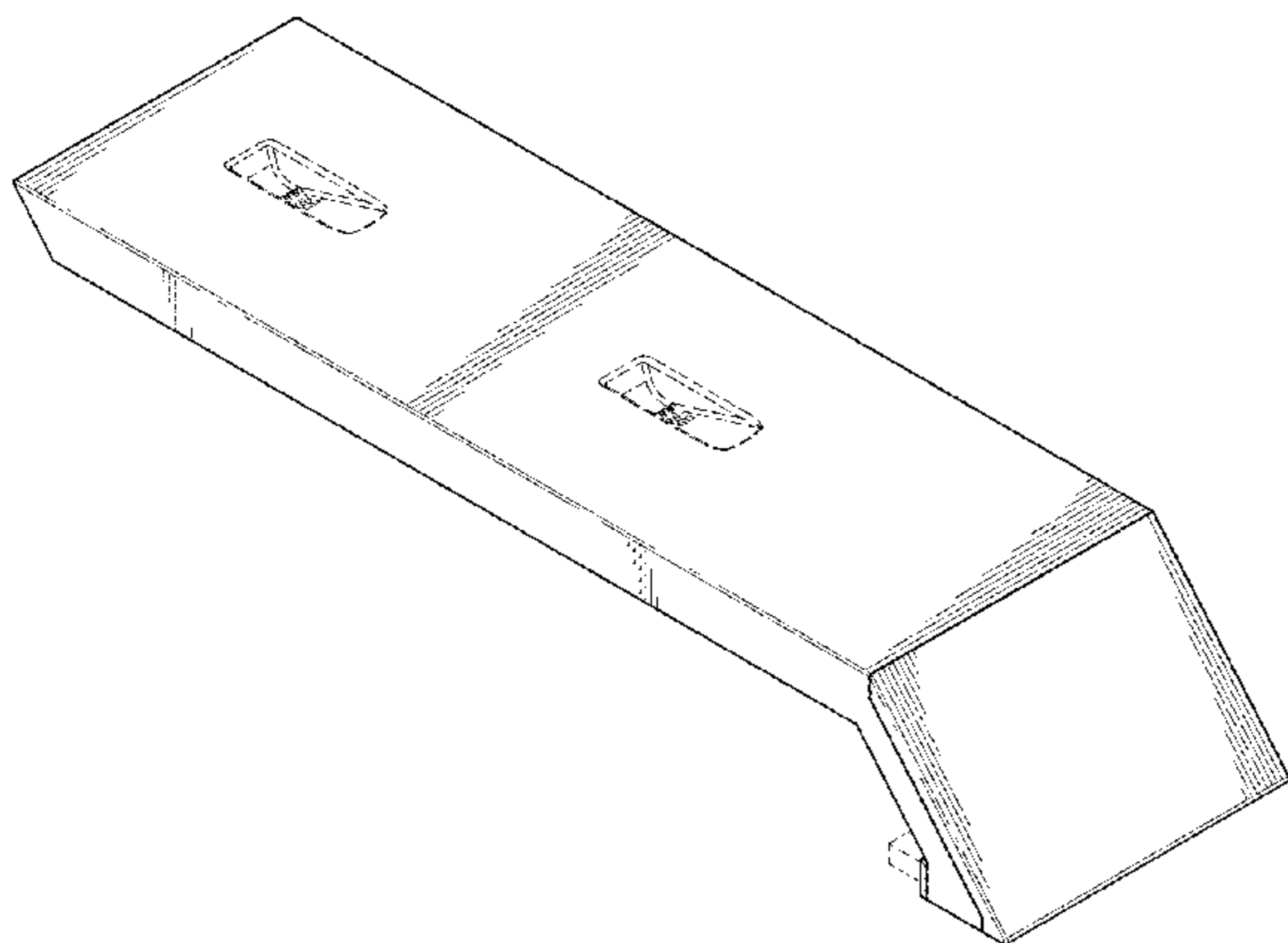
FIG. 6 is a right side view of the modular charger for a gaming console of FIG. 1, the left-side view being the mirror image of FIG. 6;

FIG. 7 is a front view of the modular charger for a gaming console of FIG. 1; and,

FIG. 8 is a rear view of the modular charger for a gaming console of FIG. 1.

The broken lines are for environmental purposes only and form no part of the claimed design.

1 Claim, 5 Drawing Sheets



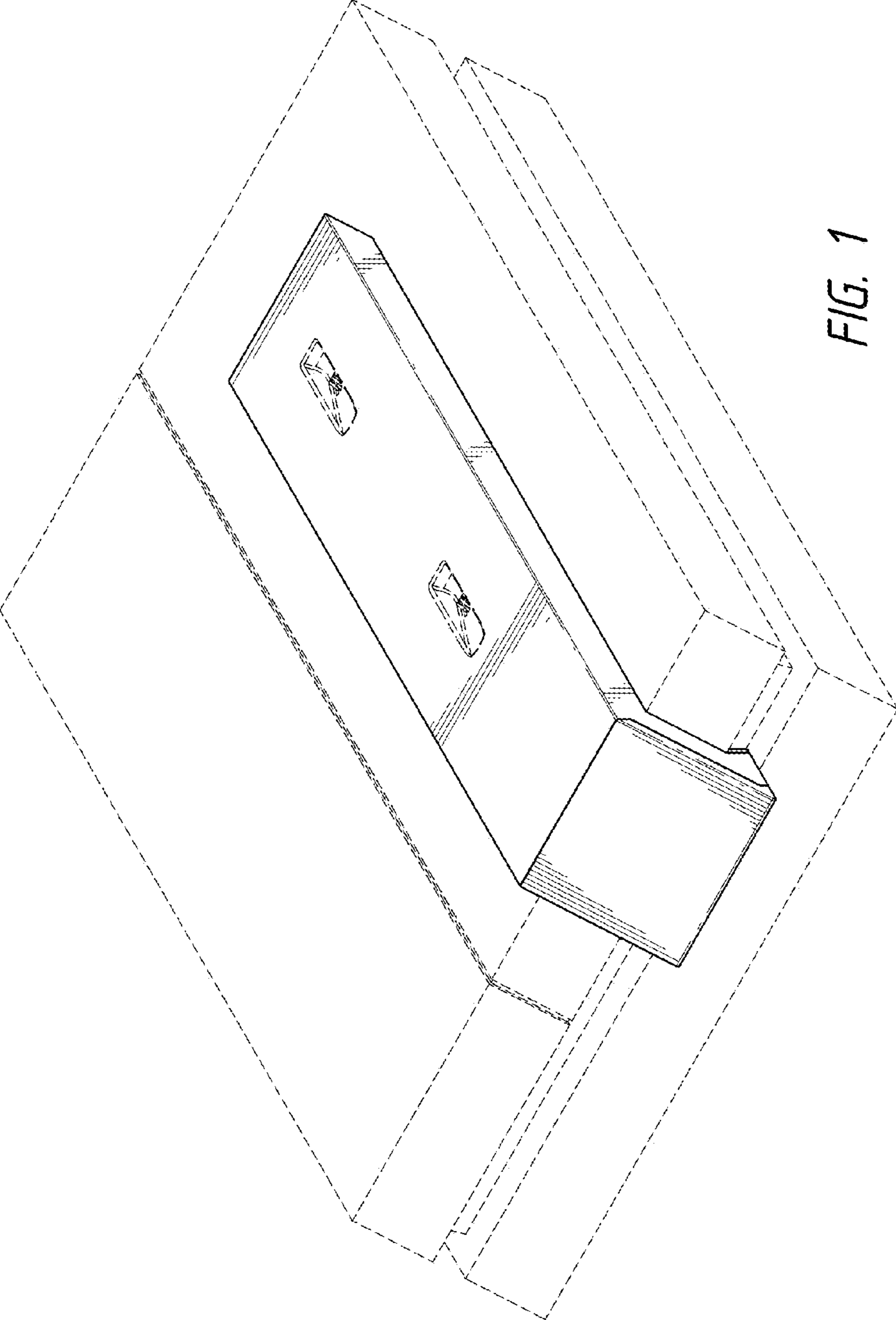


FIG. 1

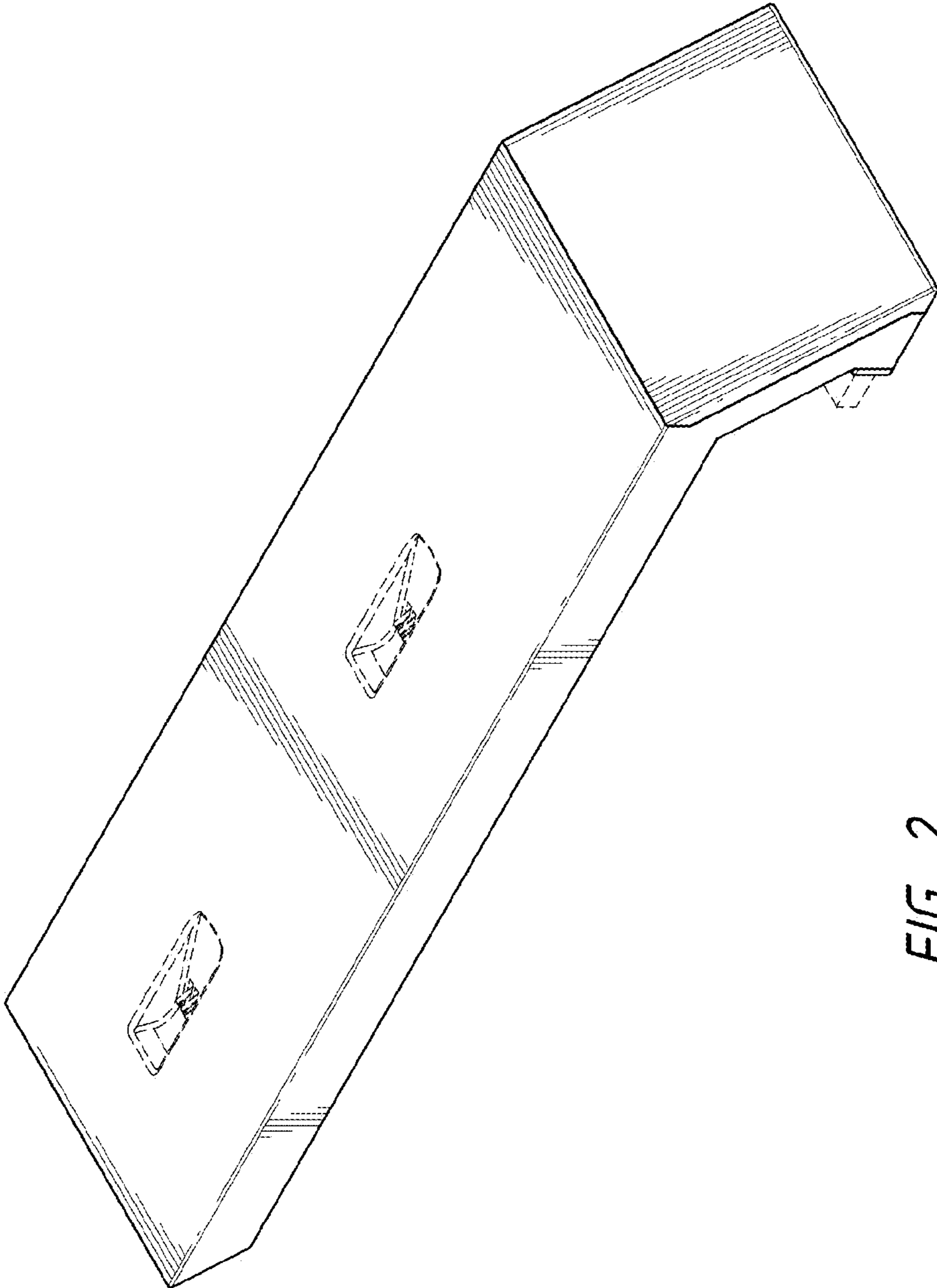


FIG. 2

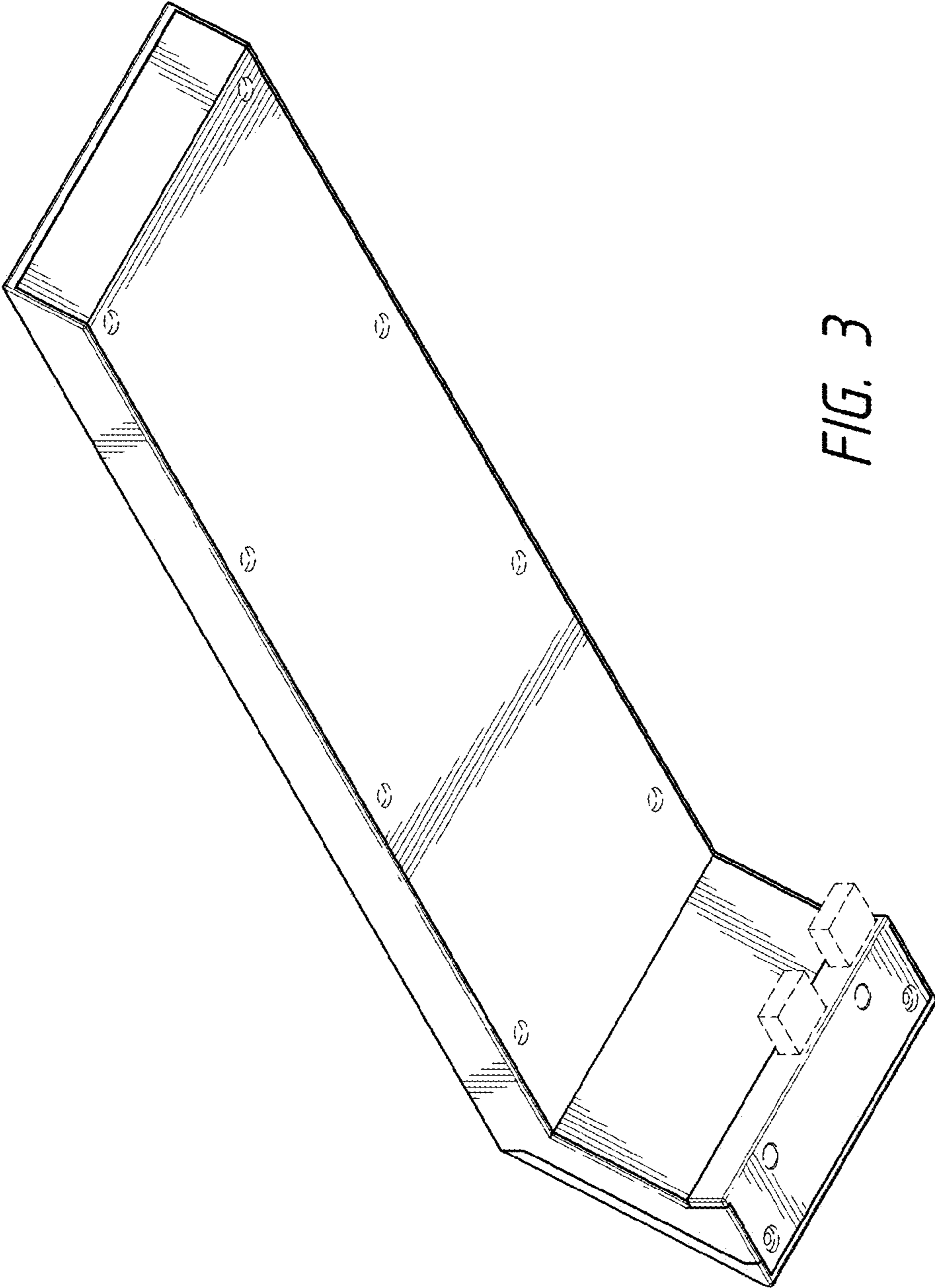


FIG. 3

FIG. 4

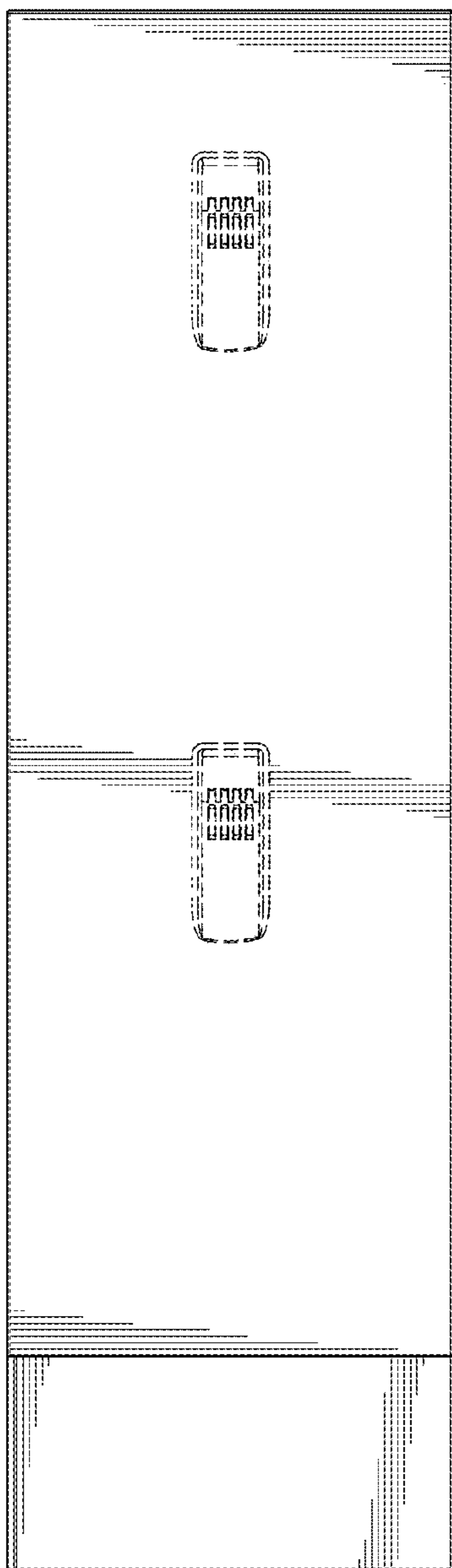
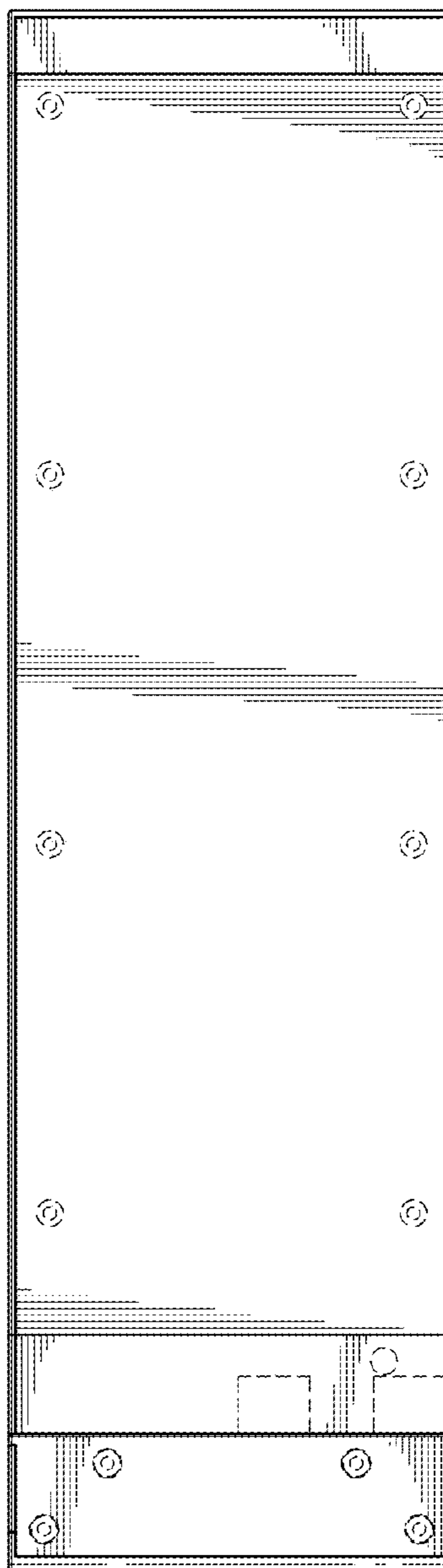


FIG. 5



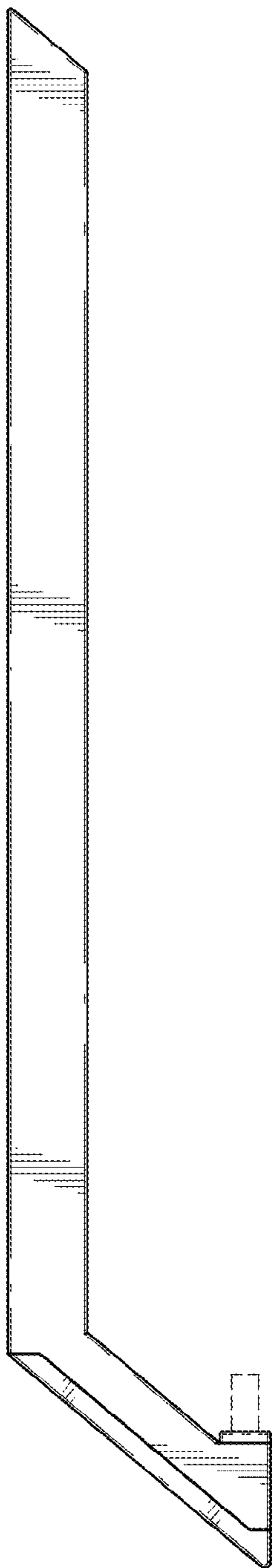


FIG. 6

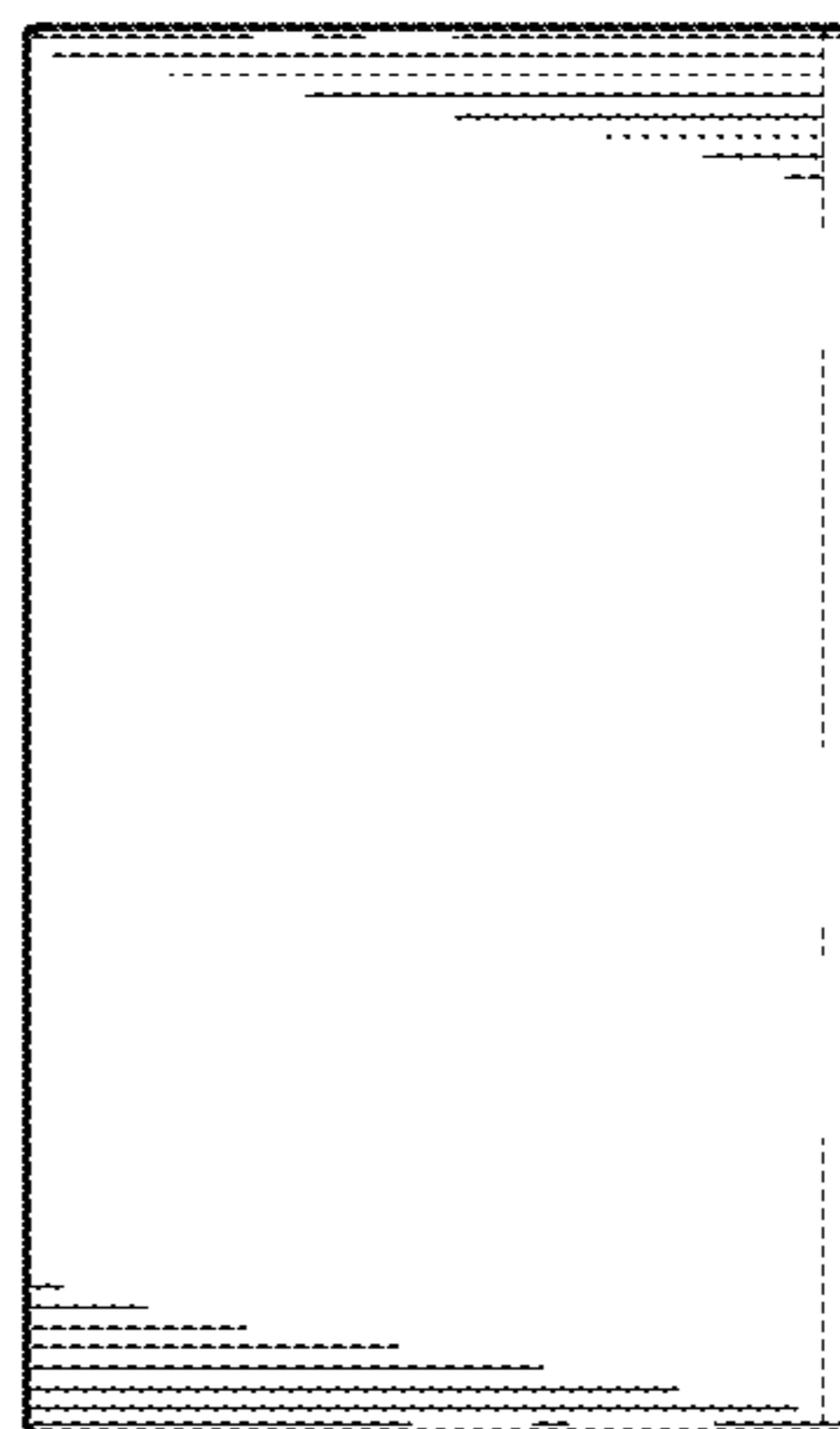


FIG. 7

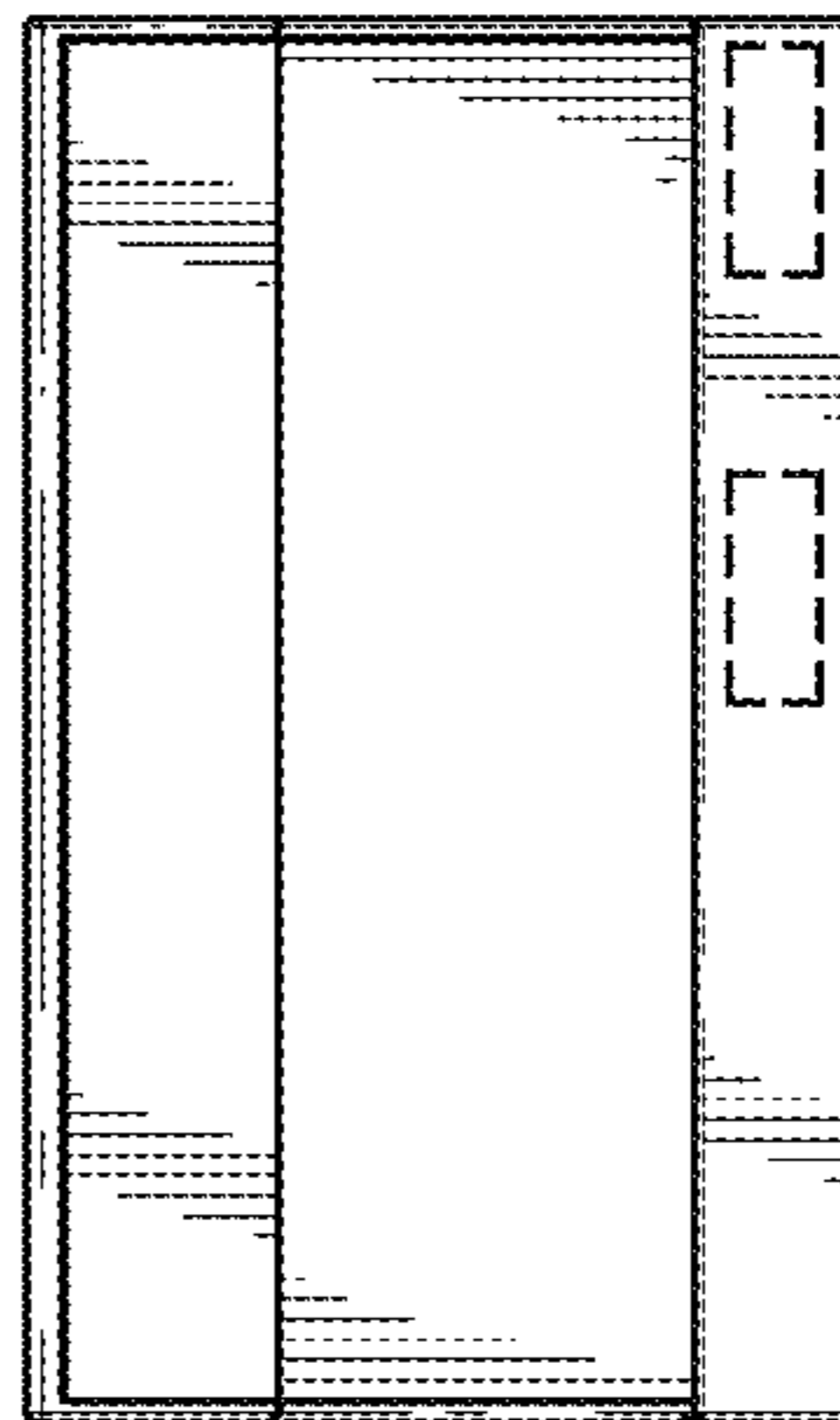


FIG. 8