



US00D755715S

(12) **United States Design Patent**
Inskeep

(10) **Patent No.:** **US D755,715 S**
(45) **Date of Patent:** **** May 10, 2016**

(54) **BATTERY CHARGER**

(71) Applicant: **Mathew Inskeep**, Highland Beach, FL
(US)

(72) Inventor: **Mathew Inskeep**, Highland Beach, FL
(US)

(**) Term: **14 Years**

(21) Appl. No.: **29/510,087**

(22) Filed: **Nov. 25, 2014**

(51) **LOC (10) Cl.** **13-02**

(52) **U.S. Cl.**
USPC **D13/107**

(58) **Field of Classification Search**
USPC D13/102, 103, 104, 105, 106, 107, 108,
D13/110, 119, 184, 199; 220/532, 533;
180/68.5; 320/104, 107, 111, 112, 113,
320/115, 132, 134, 150; 429/96, 97, 98, 99,
429/100, 163, 170, 176
CPC H02J 7/0042
See application file for complete search history.

(56) **References Cited**

U.S. PATENT DOCUMENTS

D294,484 S *	3/1988	Kellett	D13/106
D360,870 S *	8/1995	Huang	D13/103
D383,434 S *	9/1997	Hooke	D13/103
D412,153 S *	7/1999	Chen	D13/103
6,007,937 A *	12/1999	Ruiz Rodriguez ..	B60L 11/1874 429/120	
D418,477 S *	1/2000	Sunagawa	D13/104
6,222,342 B1 *	4/2001	Eggert H02J 7/0045 307/66	
D458,900 S *	6/2002	Carter	D13/106
D495,994 S *	9/2004	Arakelian	D13/103
D517,479 S *	3/2006	Schemm	D13/103
D517,987 S *	3/2006	Castagnola	D13/103
D517,988 S *	3/2006	Ihde	D13/103
D593,236 S *	5/2009	Ng	D26/37
D603,792 S *	11/2009	Ferro	D13/110
D604,696 S *	11/2009	Tasai	D13/104

D614,125 S *	4/2010	Tinius	D13/103
D615,490 S *	5/2010	Chien	D13/103
D616,377 S *	5/2010	Bussen	D13/162.1
D624,876 S *	10/2010	Daniels	D13/107
D635,510 S *	4/2011	Inskeep	D13/107
D647,051 S *	10/2011	Qualls	D13/106
D647,052 S *	10/2011	Qualls	D13/106
D654,023 S *	2/2012	Kyle Ching Hao	D13/110
D660,790 S *	5/2012	Elison	D13/106
D660,792 S *	5/2012	Inskeep	D13/104

(Continued)

OTHER PUBLICATIONS

“375 Instant/750 Peak Jump Starter/Battery charger combo w/2amp battery charger.” Accessed: Dec. 16, 2015. Black & Decker. http://www.blackanddecker.com/en-us/power-tools/automotive/roadside-assistance/375-instant-750-peak-jump-starter-battery-charger-combo-w--2-amp-battery-charger/j752bcb.*

(Continued)

Primary Examiner — Manpreet Matharu

Assistant Examiner — Suzanne Tisdell

(57) **CLAIM**

I, Mathew Inskeep, claim the ornamental design for a battery charger, as shown and described.

DESCRIPTION

FIG. 1 is a top perspective view of a battery charger showing my new design.

FIG. 2 is a bottom perspective view thereof.

FIG. 3 is a top view thereof.

FIG. 4 is a bottom view thereof.

FIG. 5 is a left side view thereof.

FIG. 6 is a right side view thereof.

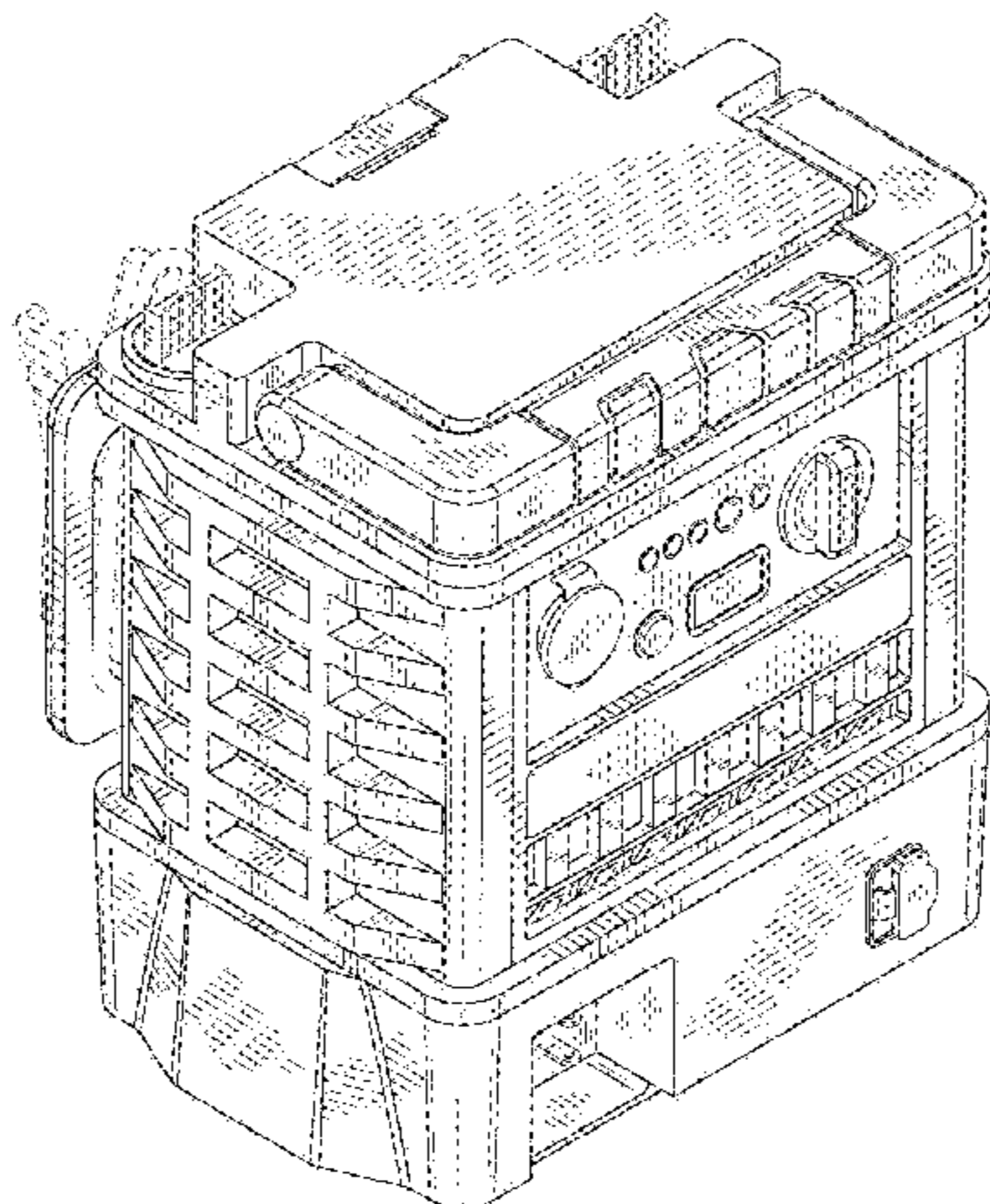
FIG. 7 is a front view thereof.

FIG. 8 is a back view thereof.

FIG. 9 is a front view with cables unhinged power outlet exposed; and,

FIG. 10 is a back view with cables unhinged and plug exposed.

1 Claim, 10 Drawing Sheets



(56)

References Cited

U.S. PATENT DOCUMENTS

D662,053 S * 6/2012 Inskeep D13/110
 D675,562 S * 2/2013 Qualls D13/106
 D684,115 S * 6/2013 Inskeep D13/107
 D693,294 S * 11/2013 Inskeep D13/107
 D693,295 S * 11/2013 Inskeep D13/107
 D693,762 S * 11/2013 Inskeep D13/107
 D695,681 S * 12/2013 Nam D13/103
 D695,682 S * 12/2013 Nam D13/104
 D706,217 S * 6/2014 McKune D13/110
 D712,348 S * 9/2014 Zhang D13/103
 D718,705 S * 12/2014 Naksen D13/103
 D719,088 S * 12/2014 Koebler D13/104
 D720,690 S * 1/2015 Tio D13/110
 D725,038 S * 3/2015 Nemoto D13/119
 D727,847 S * 4/2015 Jaskowiak D13/116
 D728,539 S * 5/2015 Dubrule D14/240

D729,747 S * 5/2015 Suzuki D13/159
 D730,280 S * 5/2015 Koebler D13/107
 D731,968 S * 6/2015 Peterson D13/110
 D733,048 S * 6/2015 Inskeep D13/107
 D735,701 S * 8/2015 Maxam D14/240
 D739,348 S * 9/2015 Tio D13/110
 D742,307 S * 11/2015 DeKeuster D13/103

OTHER PUBLICATIONS

“Black & Decker 700 Peak Amp Jump Starter/120 PSI Inflator.”
 Oldest comment: Dec. 7, 2013. QVC. <http://www.qvc.com/Black-&-Decker-700-PEAK-Amp-Jump-Starter-w-120-PSI-Inflator.product.V32568.html>.
 “BLack and Decker 750 Peak Jump-Starter” Accessed: Dec. 16, 2015. Demeo Tow Bars. <http://www.demcotowbars.com/750-peak-jump-starter/>.

* cited by examiner

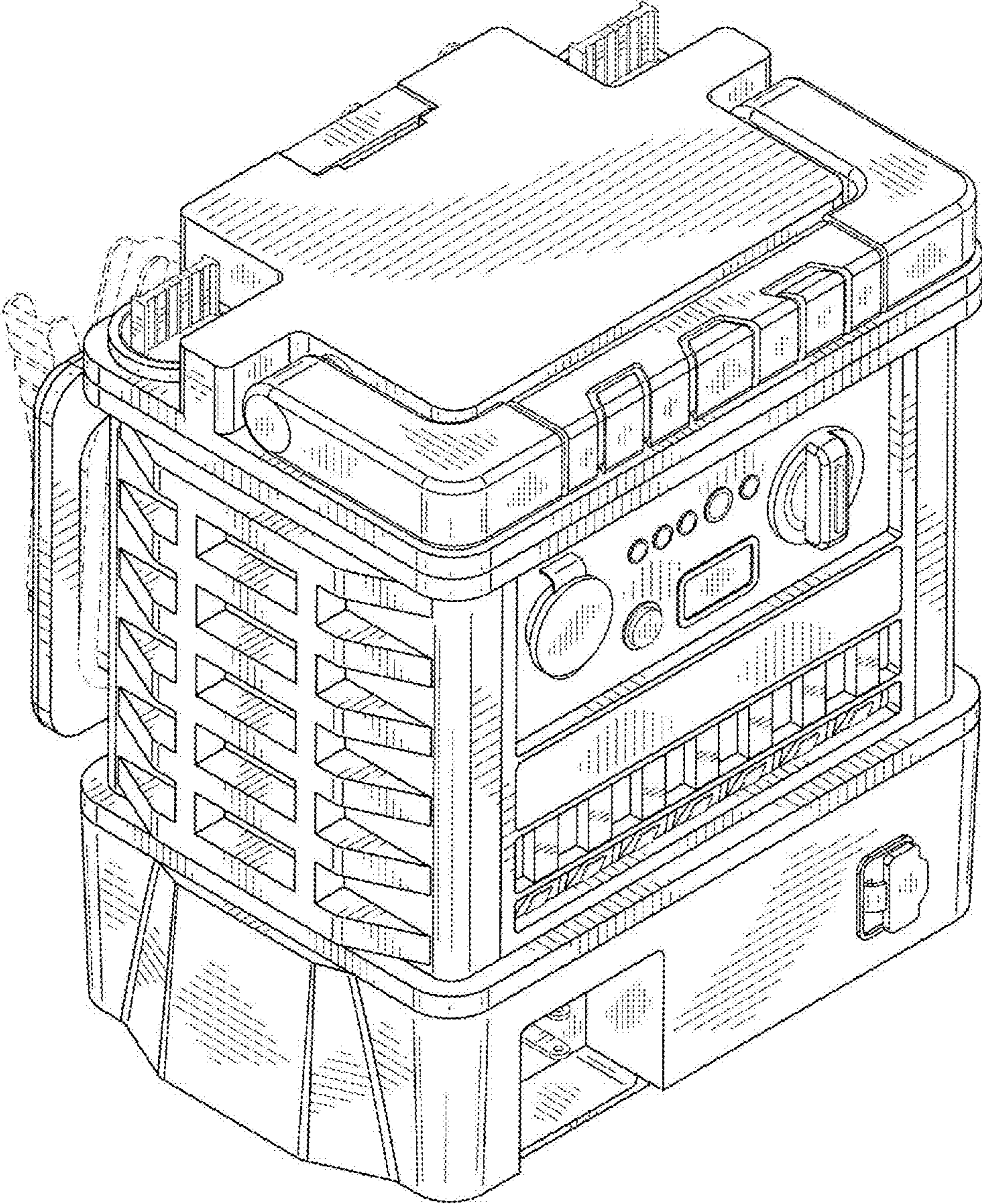


FIG. 1

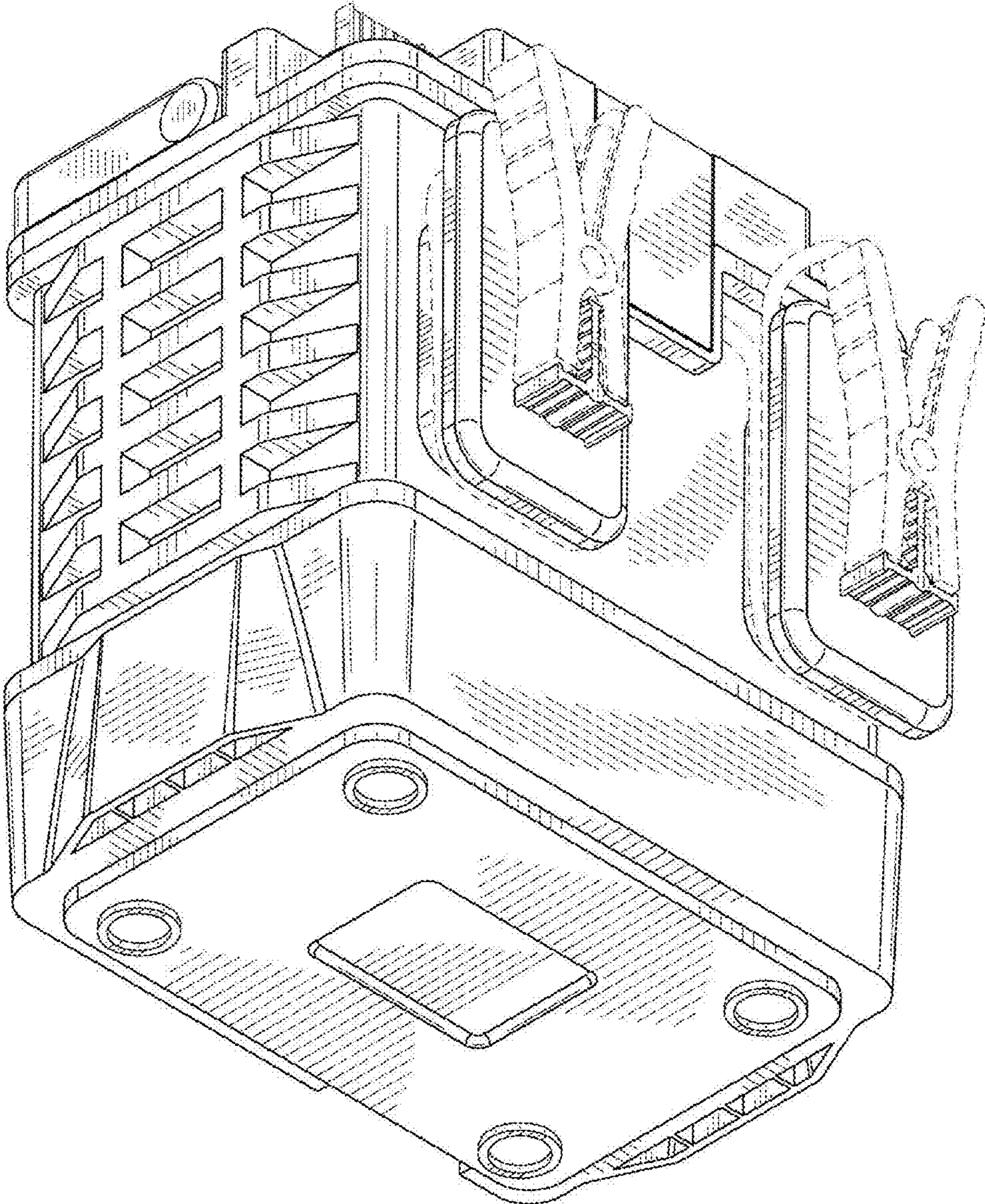


FIG. 2

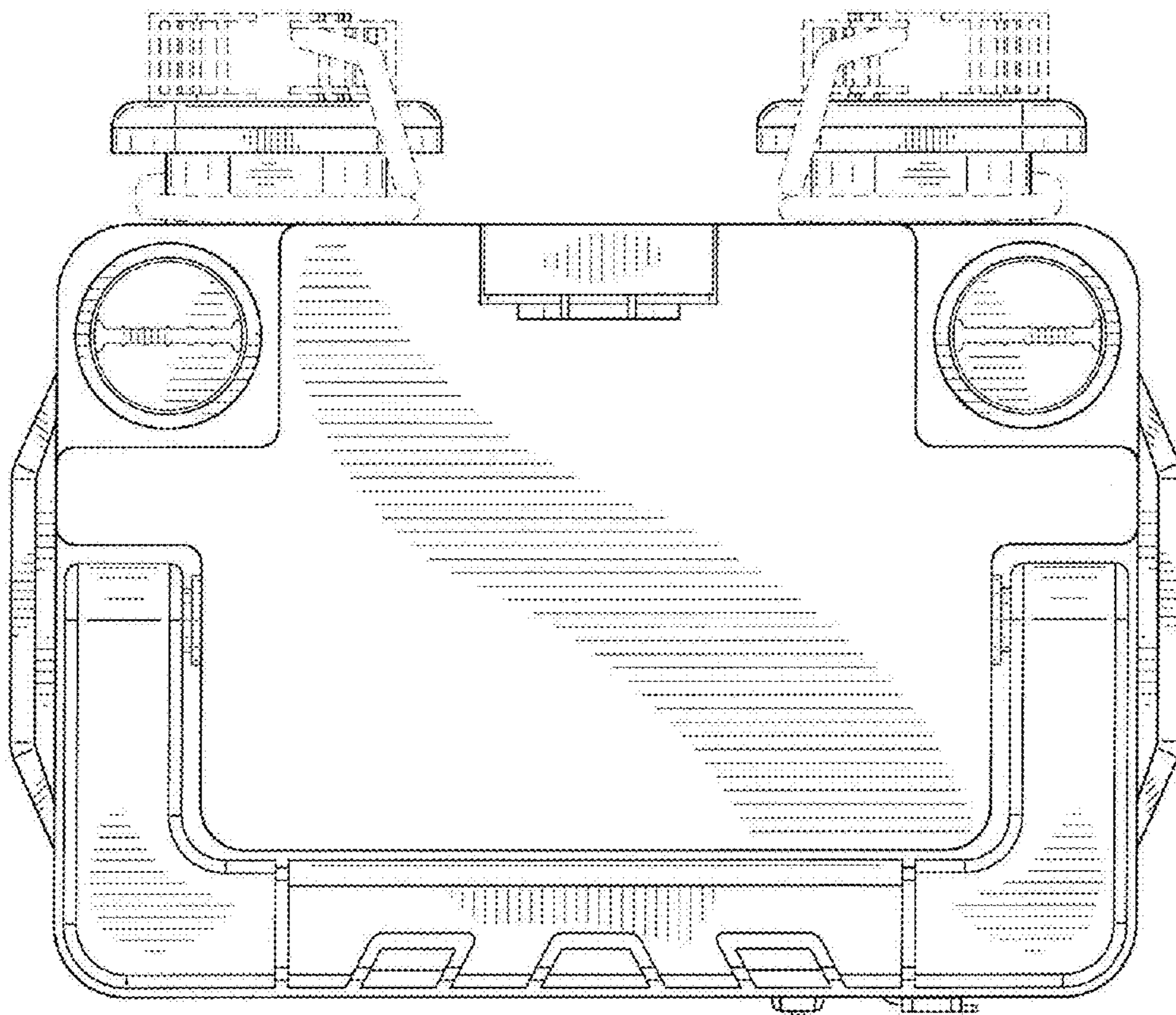


FIG. 3

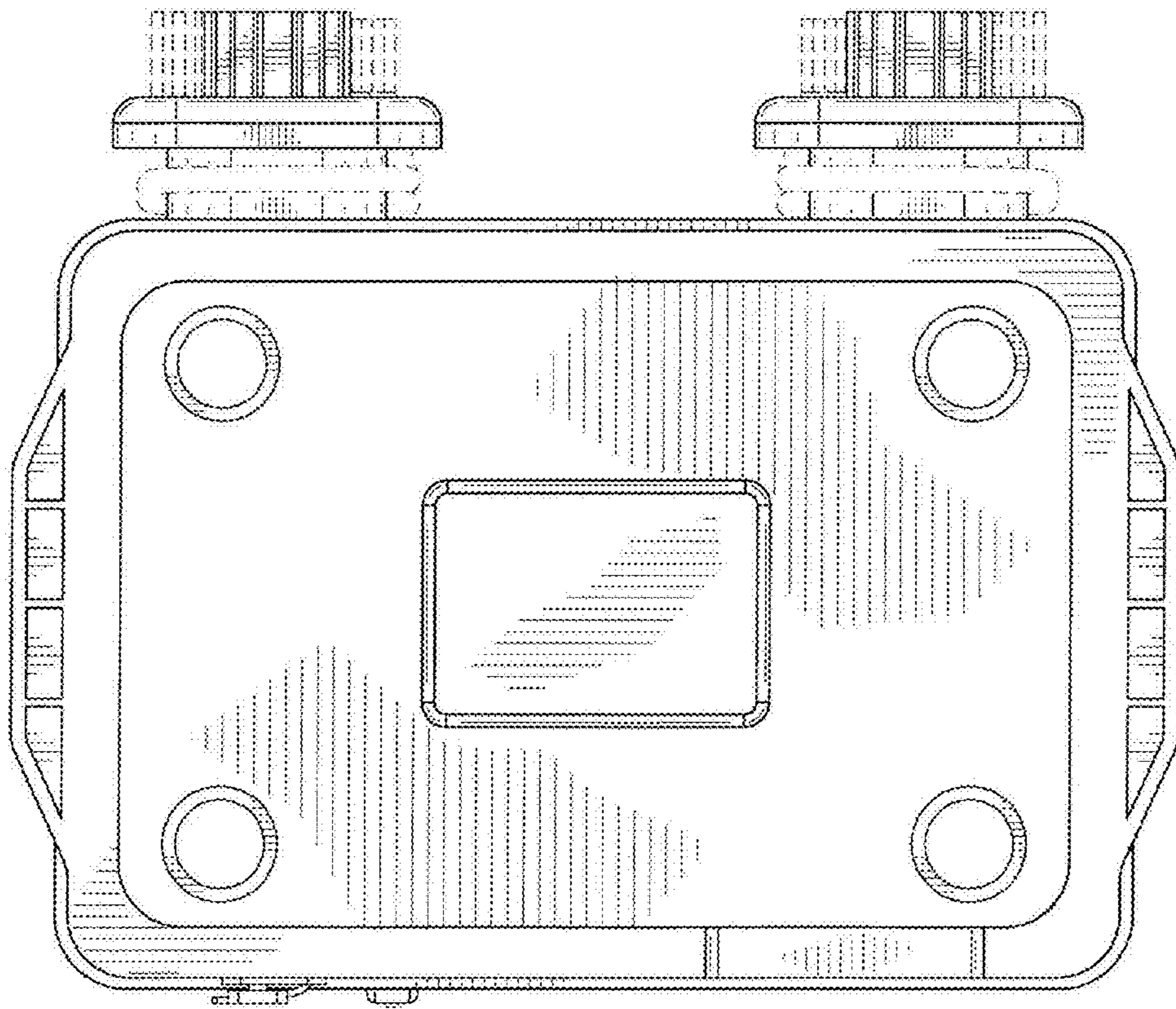


FIG. 4

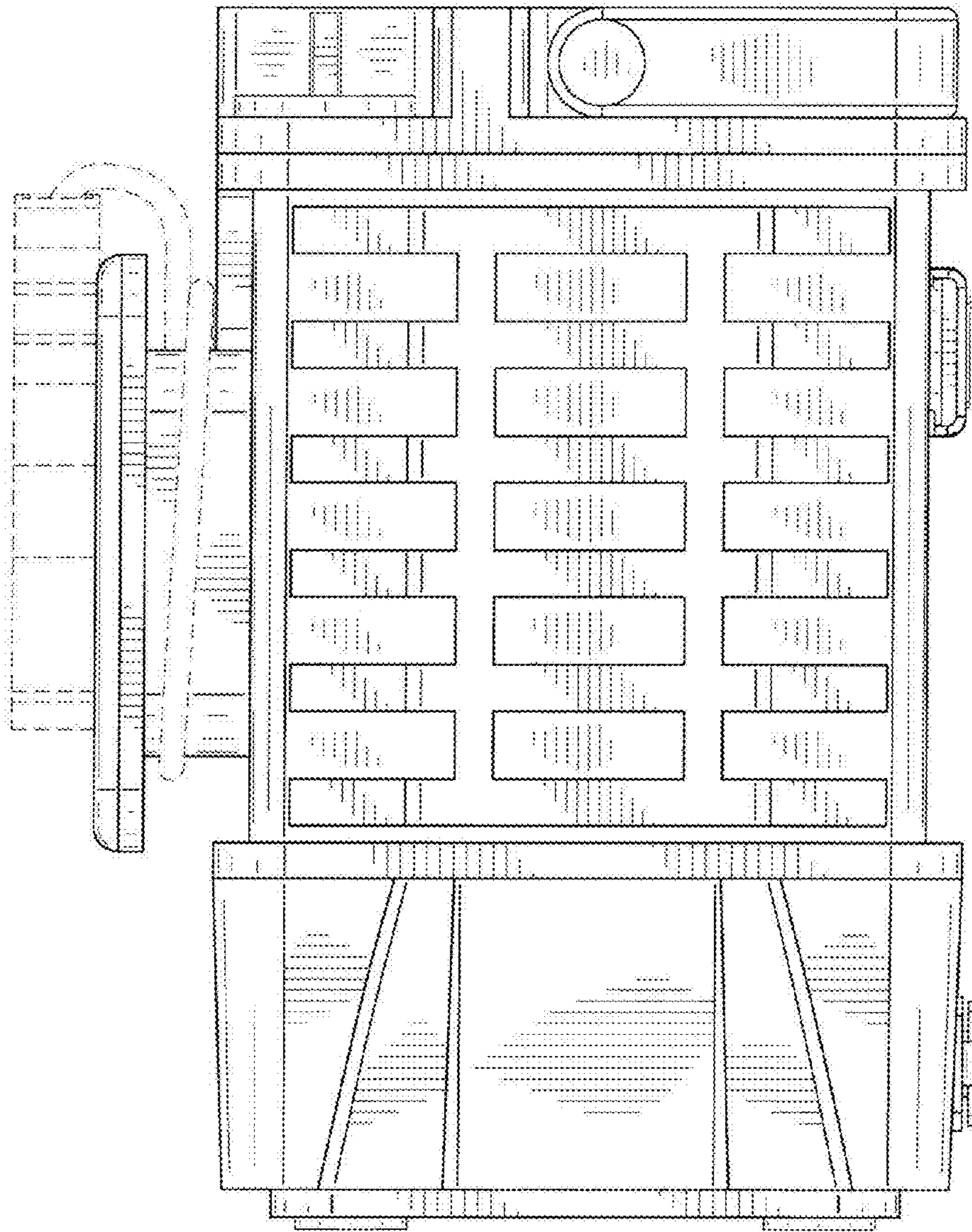


FIG. 5

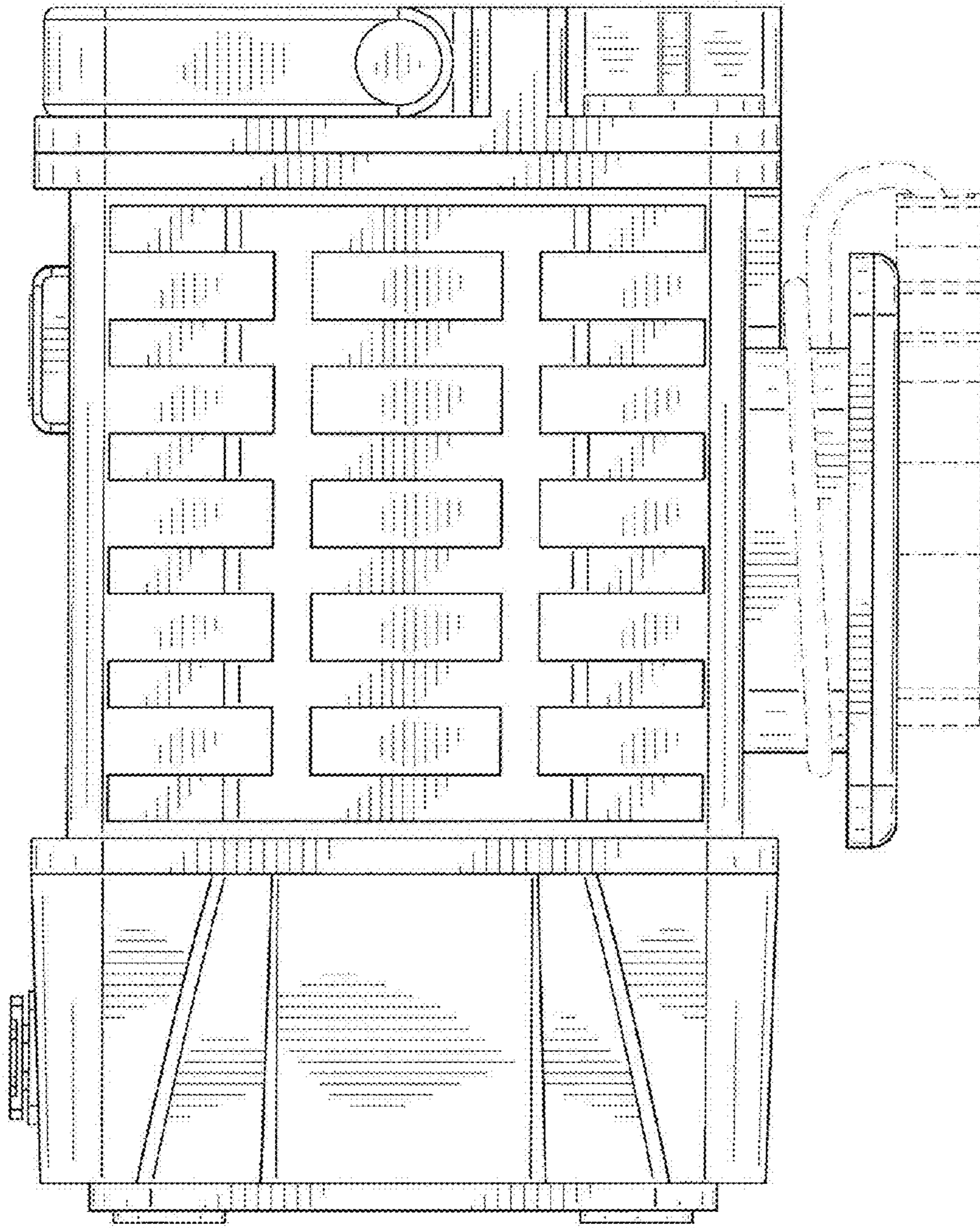


FIG. 6

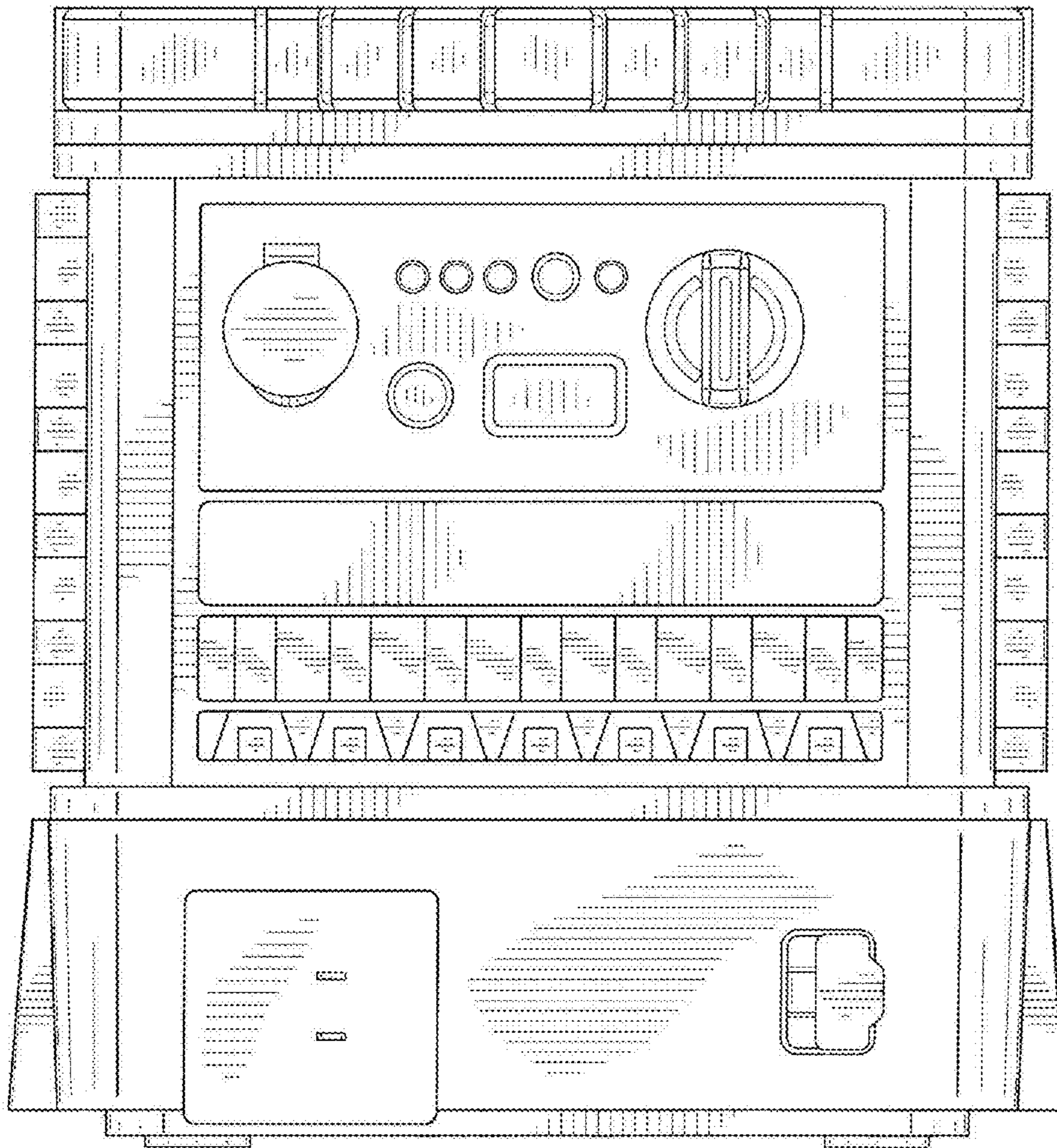


FIG. 7

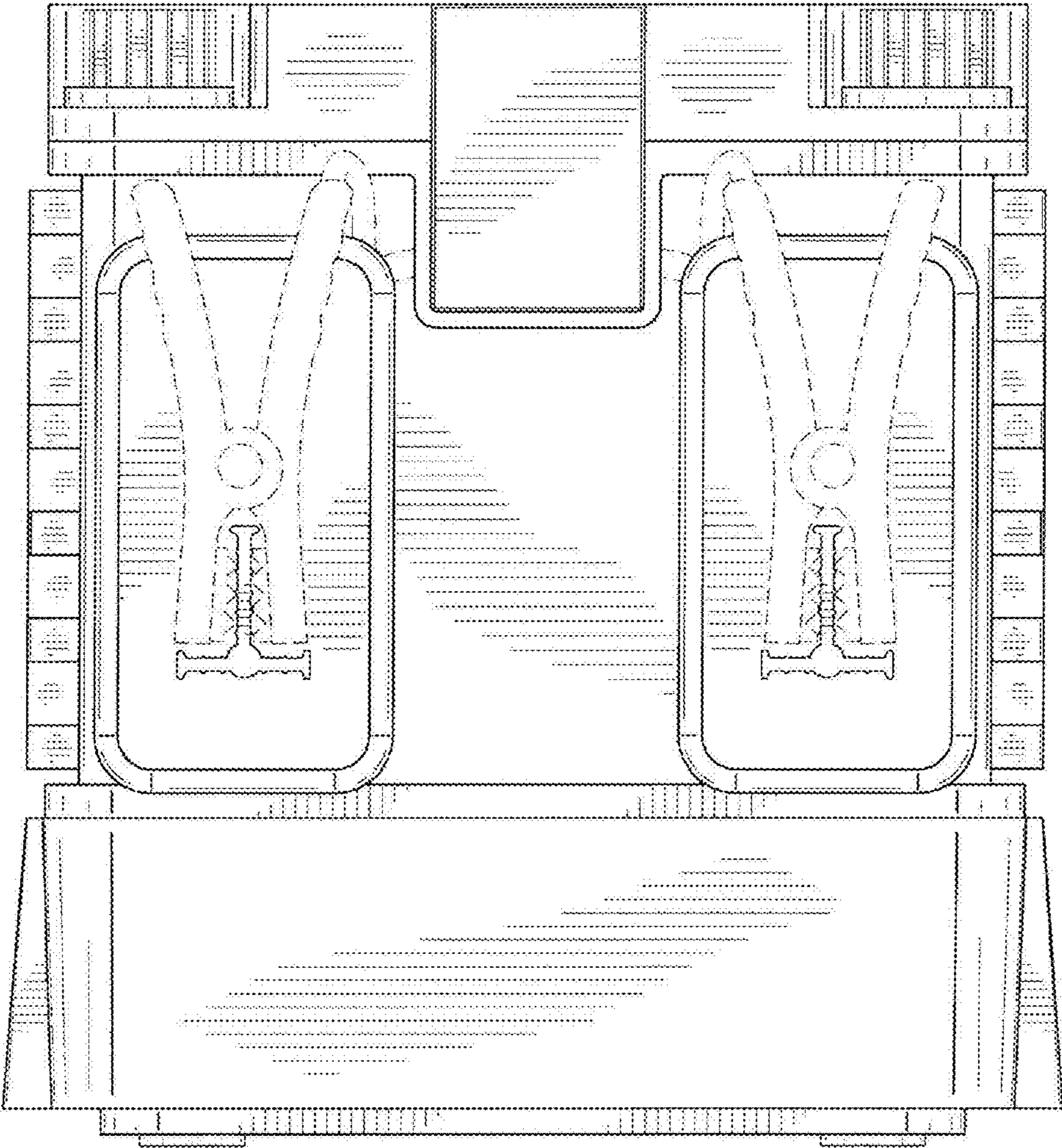


FIG. 8

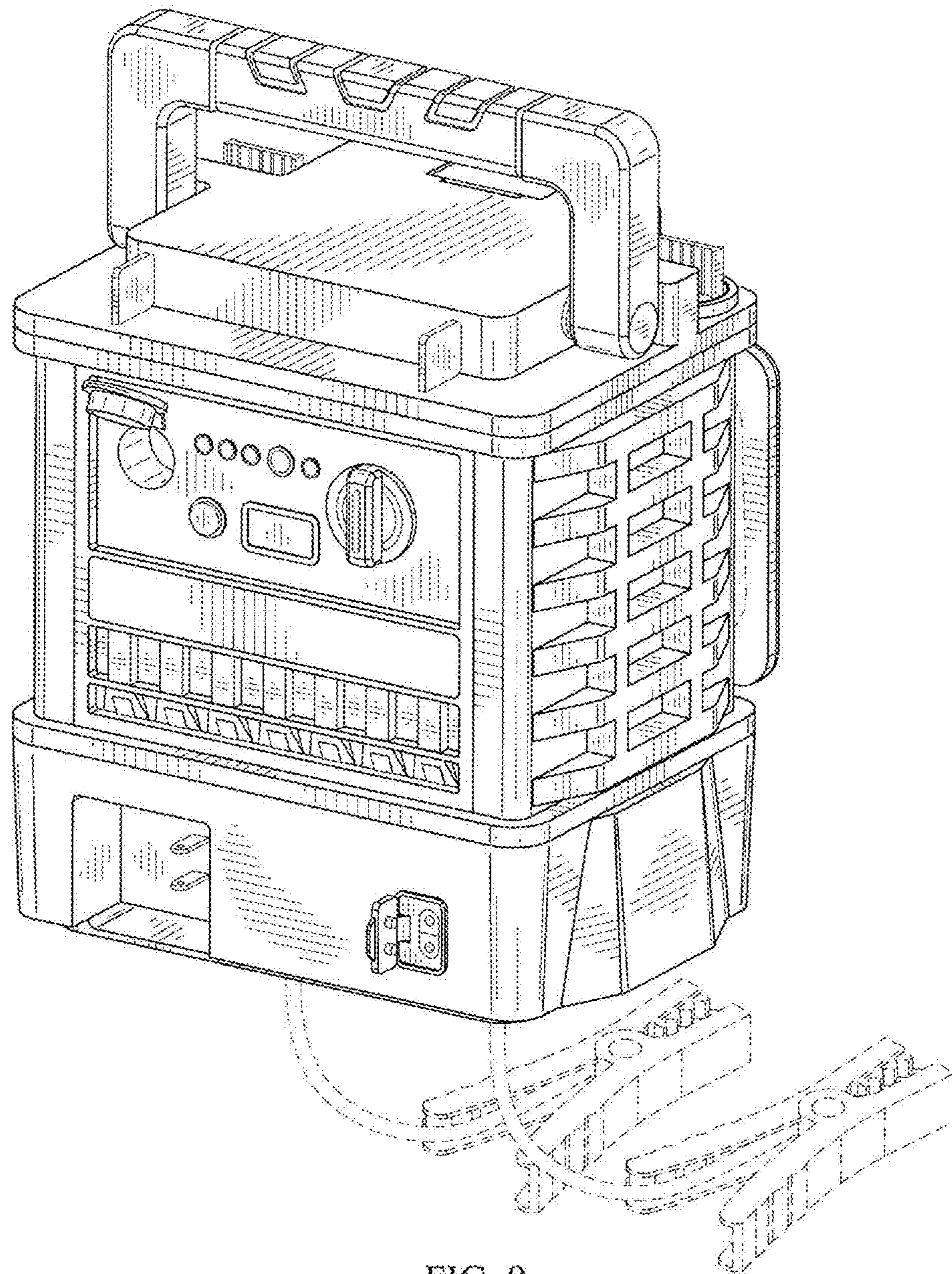


FIG. 9

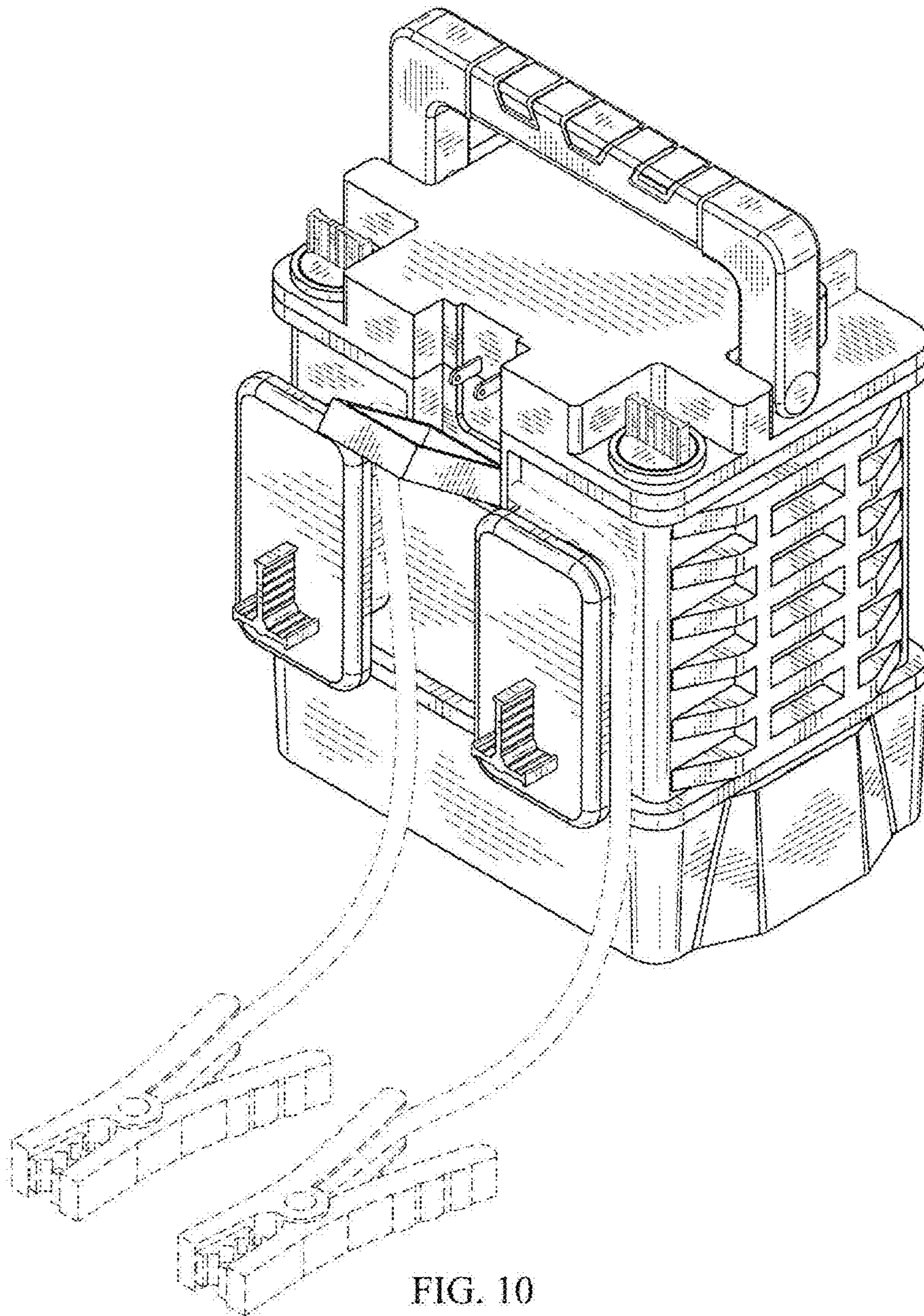


FIG. 10