



US00D755710S

(12) **United States Design Patent**
Tian

(10) **Patent No.:** **US D755,710 S**

(45) **Date of Patent:** **** May 10, 2016**

(54) **TYRE**

(71) Applicant: **SHANDONG HENGYU SCIENCE & TECHNOLOGY CO., LTD.**, Shandong Province (CN)

(72) Inventor: **Jiali Tian**, Shandong Province (CN)

(**) Term: **14 Years**

(21) Appl. No.: **29/510,986**

(22) Filed: **Dec. 5, 2014**

(30) **Foreign Application Priority Data**

Nov. 11, 2014 (CN) 2014 3 0441181

(51) **LOC (10) CL.** **12-15**

(52) **U.S. CL.**
USPC **D12/523**

(58) **Field of Classification Search**
USPC D12/500–532, 900–901
CPC B60C 11/0304; B60C 11/0302; B60C 11/0306; B60C 11/0309; B60C 11/0318; B60C 11/0311; B60C 11/042; B60C 11/13; B60C 11/00; B60C 11/11; B60C 11/12

See application file for complete search history.

(56) **References Cited**

U.S. PATENT DOCUMENTS

| | | | | |
|--------------|---------|--------|-------|---------|
| D460,402 S * | 7/2002 | Ishida | | D12/523 |
| D512,012 S * | 11/2005 | Delu | | D12/521 |
| D581,347 S * | 11/2008 | Feider | | D12/523 |
| D613,235 S * | 4/2010 | Kossi | | D12/523 |
| D651,160 S * | 12/2011 | Jacobs | | D12/524 |
| D655,239 S * | 3/2012 | Zhao | | D12/521 |
| D682,773 S * | 5/2013 | Kuwano | | D12/523 |
| D722,010 S * | 2/2015 | Tian | | D12/521 |
| D743,872 S * | 11/2015 | Huang | | D12/519 |
| D747,678 S * | 1/2016 | Ma | | D12/524 |

* cited by examiner

Primary Examiner — Stacia Cadmus

(74) *Attorney, Agent, or Firm* — Prakash Nama; Global IP Services, PLLC

(57) **CLAIM**

The ornamental design for a tyre, as shown and described.

DESCRIPTION

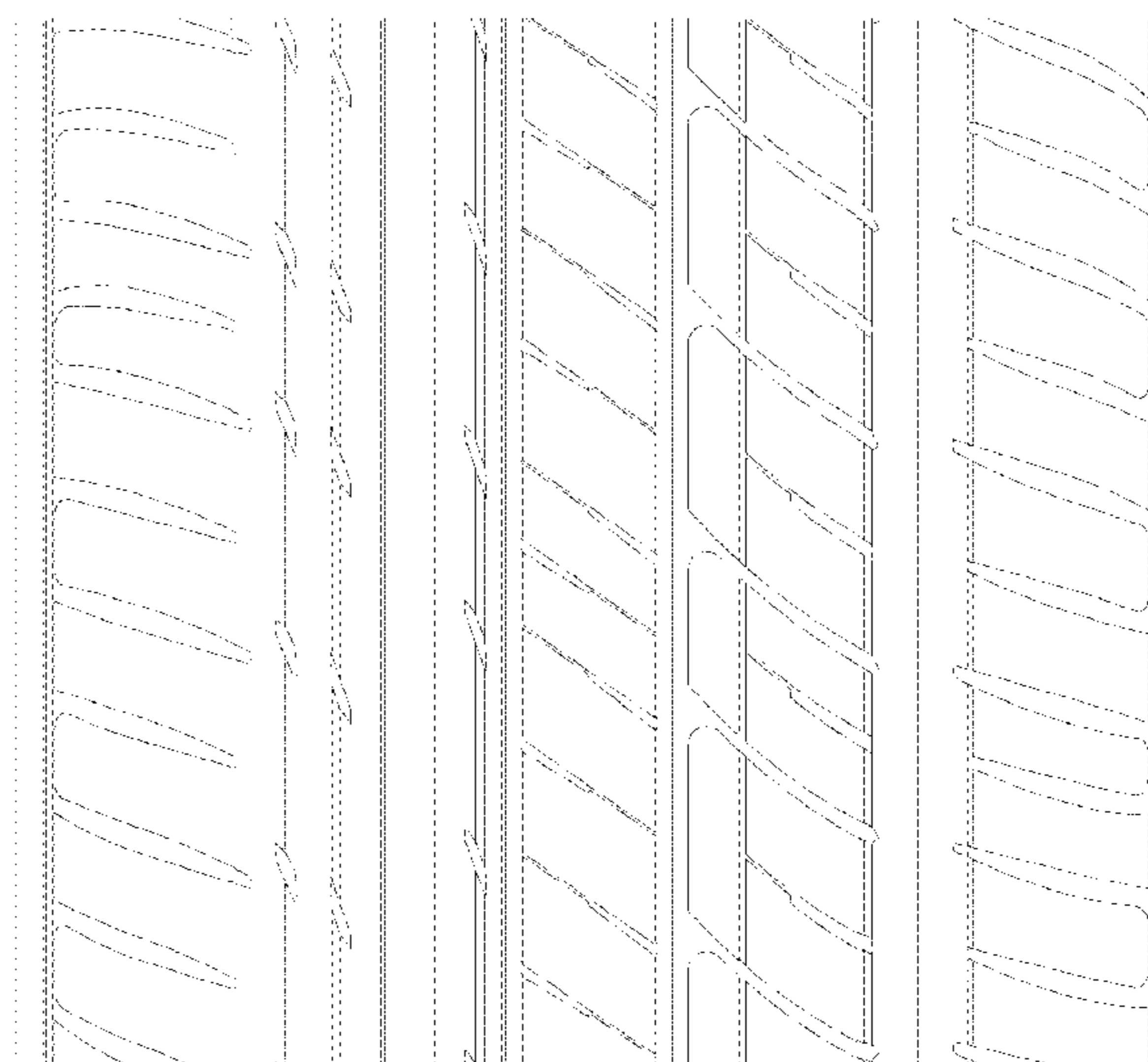
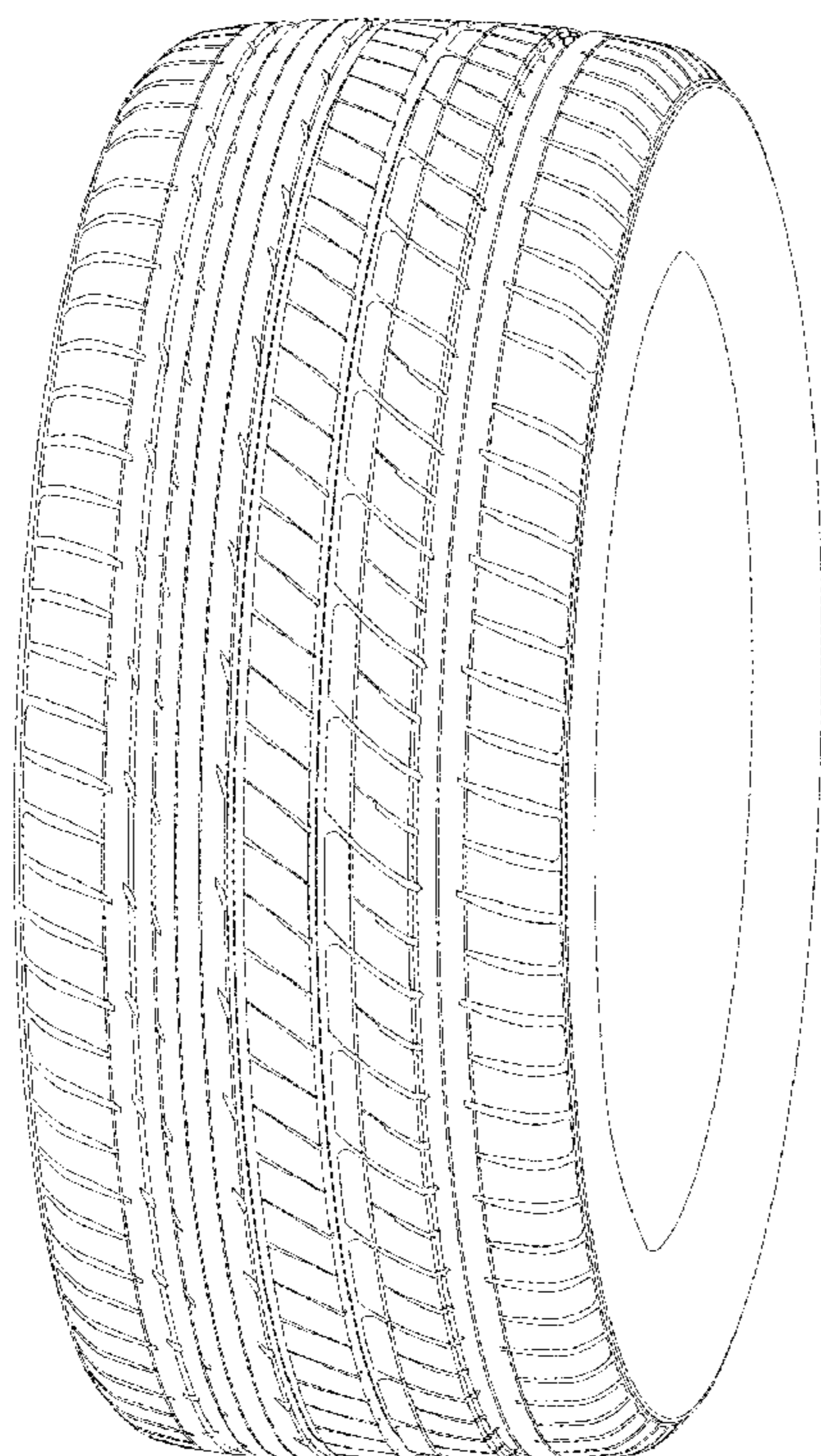
FIG. 1 is a front elevational view of a tyre showing my new design, it being understood that the rear elevational view is a mirror image thereof;

FIG. 2 is a right side view thereof, it being understood that the left side is a mirror image thereof;

FIG. 3 is a perspective view thereof; and,

FIG. 4 is an enlarged fragmentary front elevational view.

1 Claim, 4 Drawing Sheets



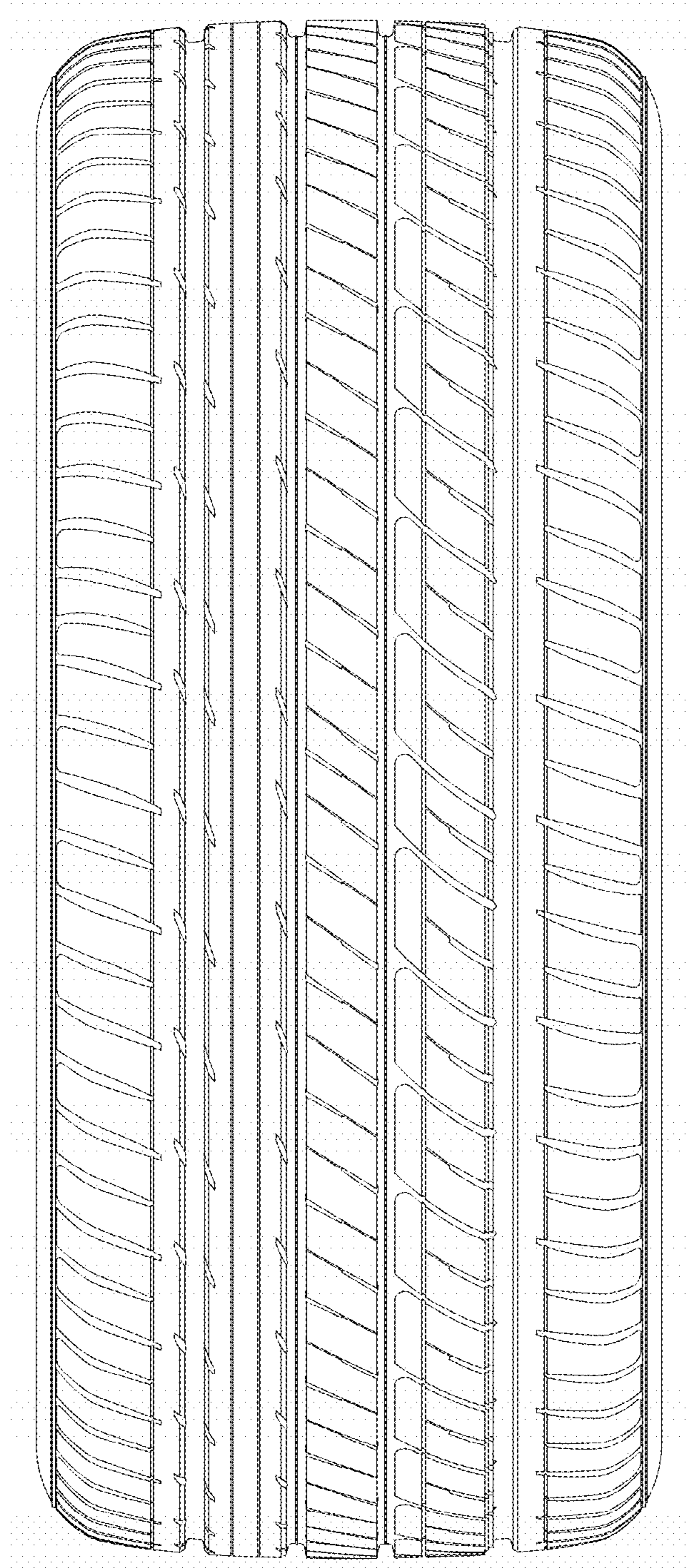


FIG. 1

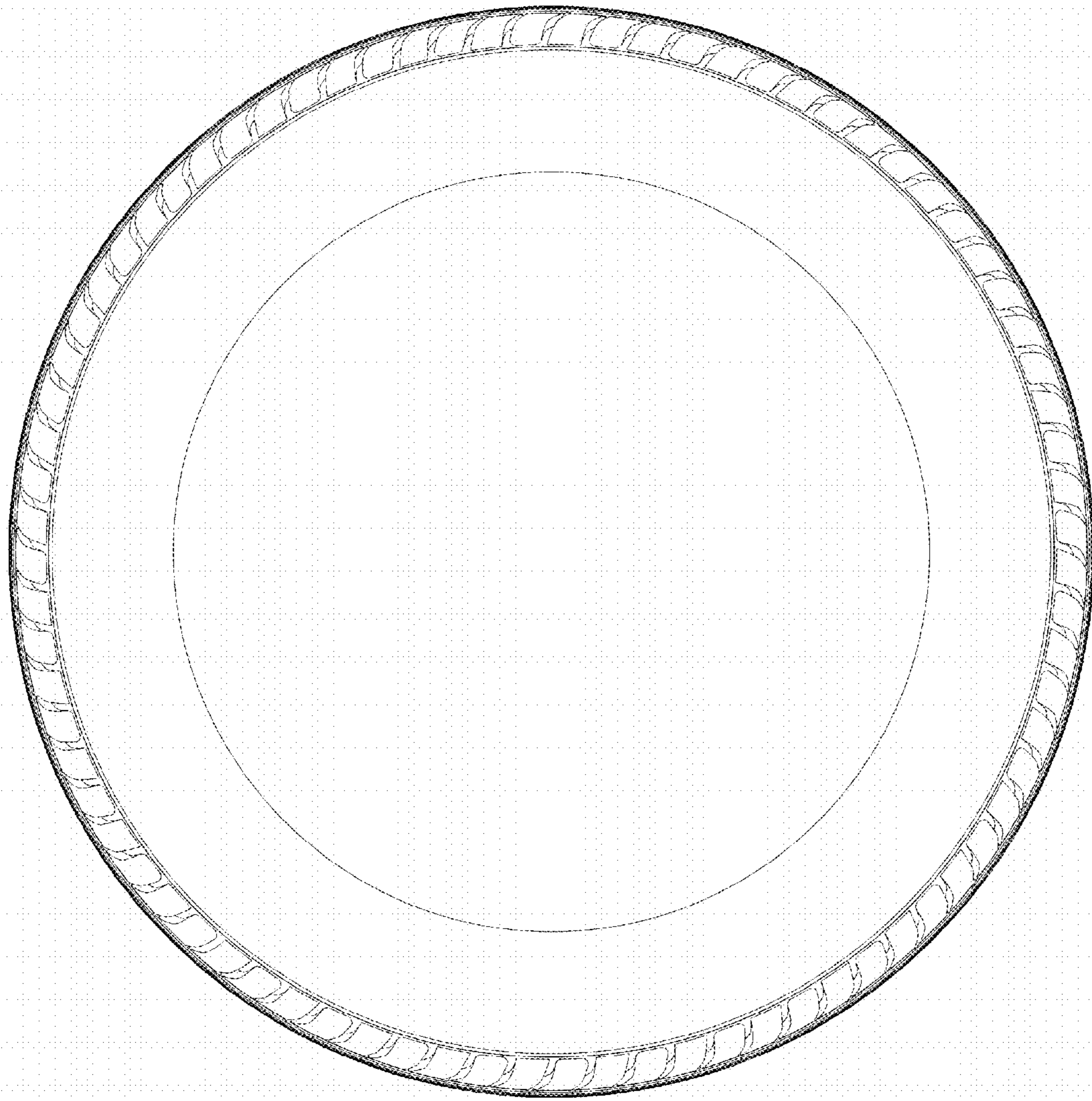


FIG. 2

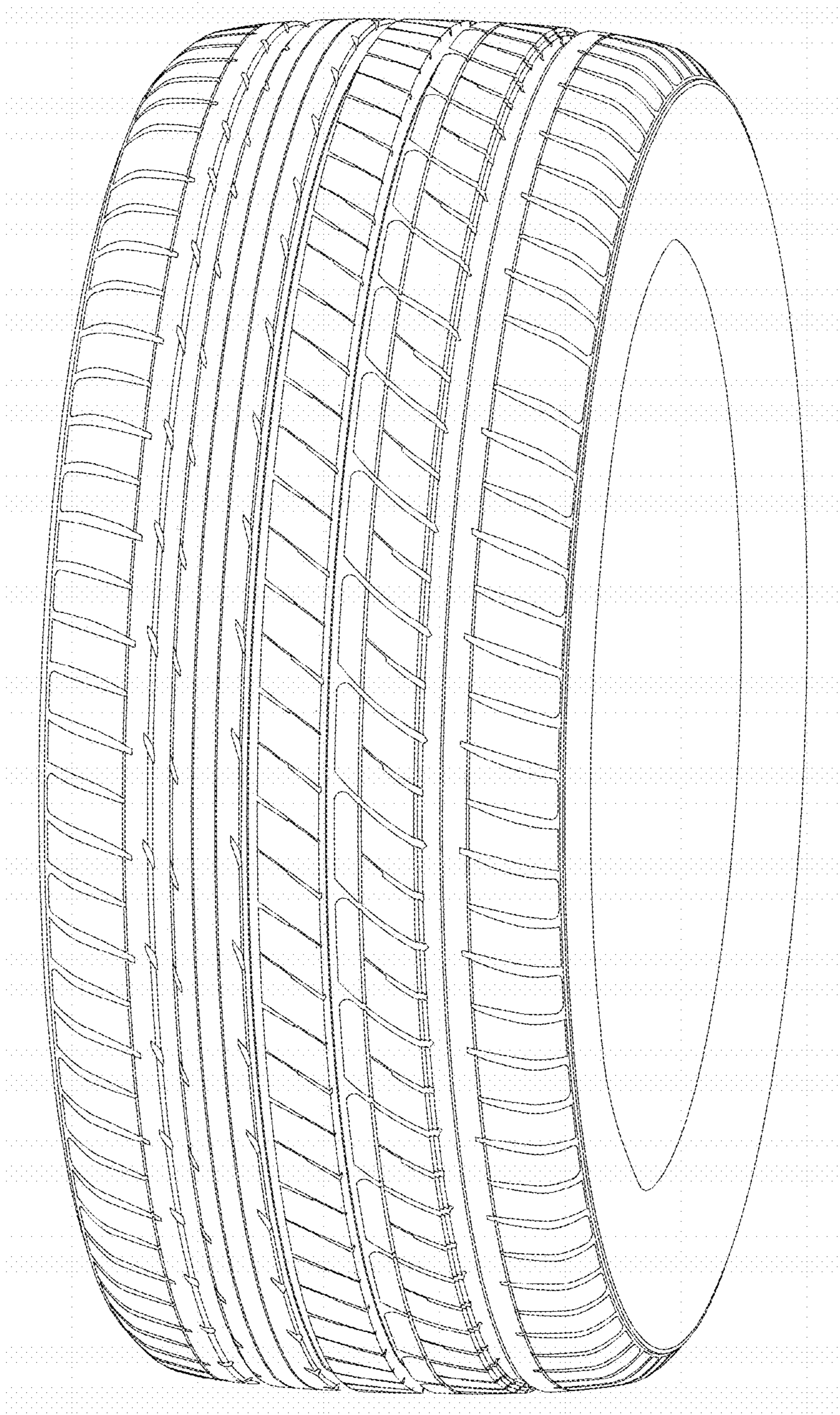


FIG. 3

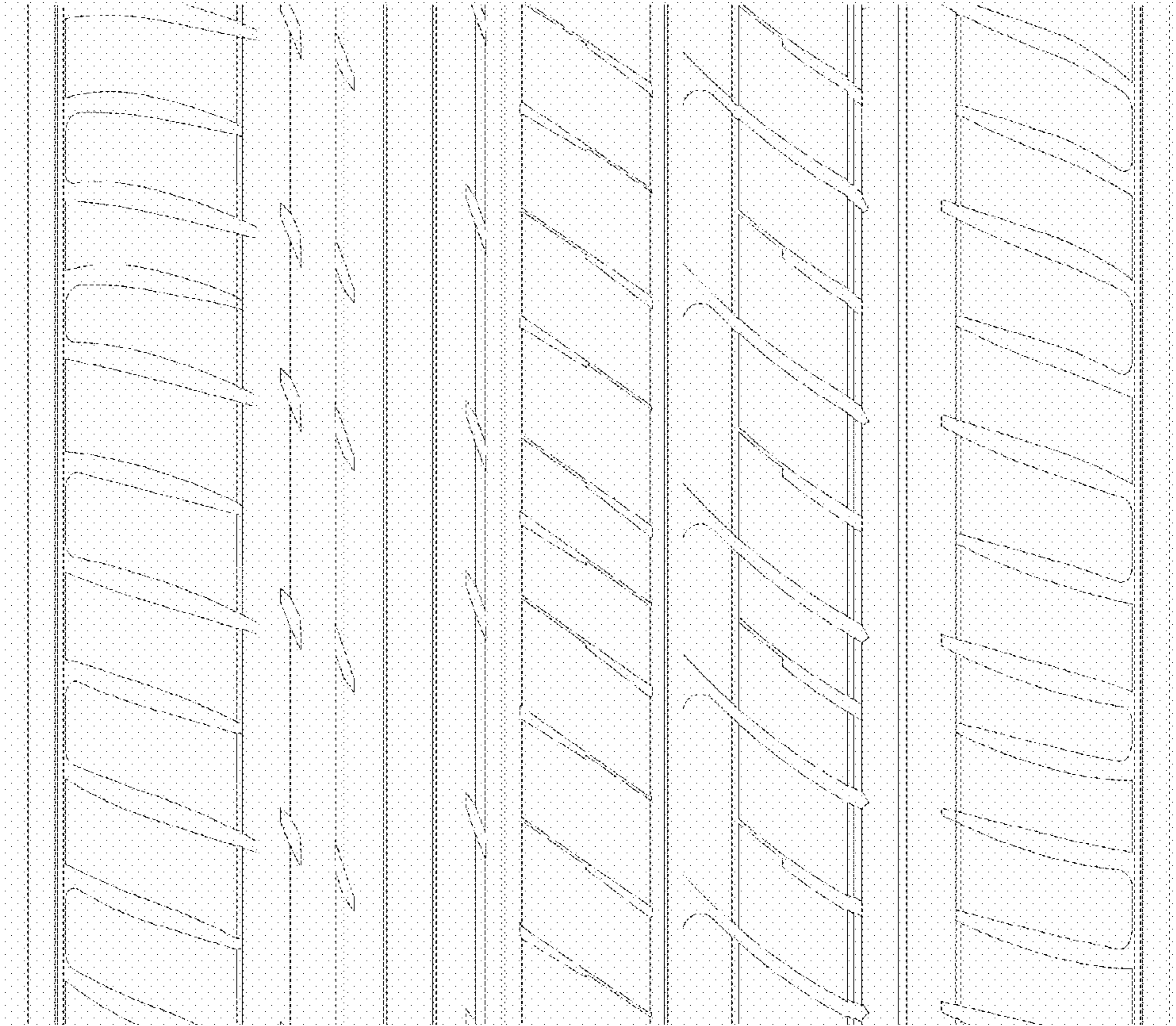


FIG. 4