



US00D755709S

(12) **United States Design Patent**
Williams

(10) **Patent No.:** **US D755,709 S**
(45) **Date of Patent:** **** May 10, 2016**

(54) **CENTER CONSOLE**

4,796,791 A 1/1989 Goss et al.
4,818,008 A 4/1989 Cressoni
5,085,481 A 2/1992 Fluharty et al.

(71) Applicant: **L&P Property Management Company**, South Gate, CA (US)

(Continued)

(72) Inventor: **Steve Williams**, Stevens Point, WI (US)

OTHER PUBLICATIONS

(73) Assignee: **L&P PROPERTY MANAGEMENT COMPANY**, South Gate, CA (US)

Havis part No. C-VS-0812-CHGR, Havis, Inc., known and accessible to the public at least prior to Nov. 18, 2010, retrieved from the Internet <URLs: http://www.havis.com/data/1-Mounting/Consoles/C-VS%20Series/C-VS-0812-CHGR/C-VS-0812-CHGR-1_ISO_2-10.jpg and http://www.havis.com/data/1-Mounting/Consoles/C-CS%20Series/C-VS-0812-CHGR/C-VS-0812-CHGR_INST_3-11.pdf>, 5 pages.

(**) Term: **15 Years**

(Continued)

(21) Appl. No.: **29/541,409**

(22) Filed: **Oct. 2, 2015**

Primary Examiner — Katrina A Betton

Related U.S. Application Data

(74) *Attorney, Agent, or Firm* — Michael Best & Friedrich LLP

(60) Continuation of application No. 29/495,077, filed on Jun. 26, 2014, which is a division of application No. 29/406,818, filed on Nov. 18, 2011, now Pat. No. Des. 710,784.

(57) **CLAIM**

I claim the ornamental design for a center console, as shown.

(51) **LOC (10) Cl.** **12-16**

DESCRIPTION

(52) **U.S. Cl.**
USPC **D12/415**

FIG. 1 is a perspective view of an embodiment of a center console.

(58) **Field of Classification Search**
USPC D12/415, 416, 417, 418, 419, 420, 400, D12/191, 106, 195, 345, 96, 99, 246
CPC B60R 7/08; B60R 7/04
See application file for complete search history.

FIG. 2 is a rear view of the center console shown in FIG. 1.
FIG. 3 is a front view of the center console shown in FIG. 1.
FIG. 4 is a right side view of the center console shown in FIG. 1.

(56) **References Cited**

U.S. PATENT DOCUMENTS

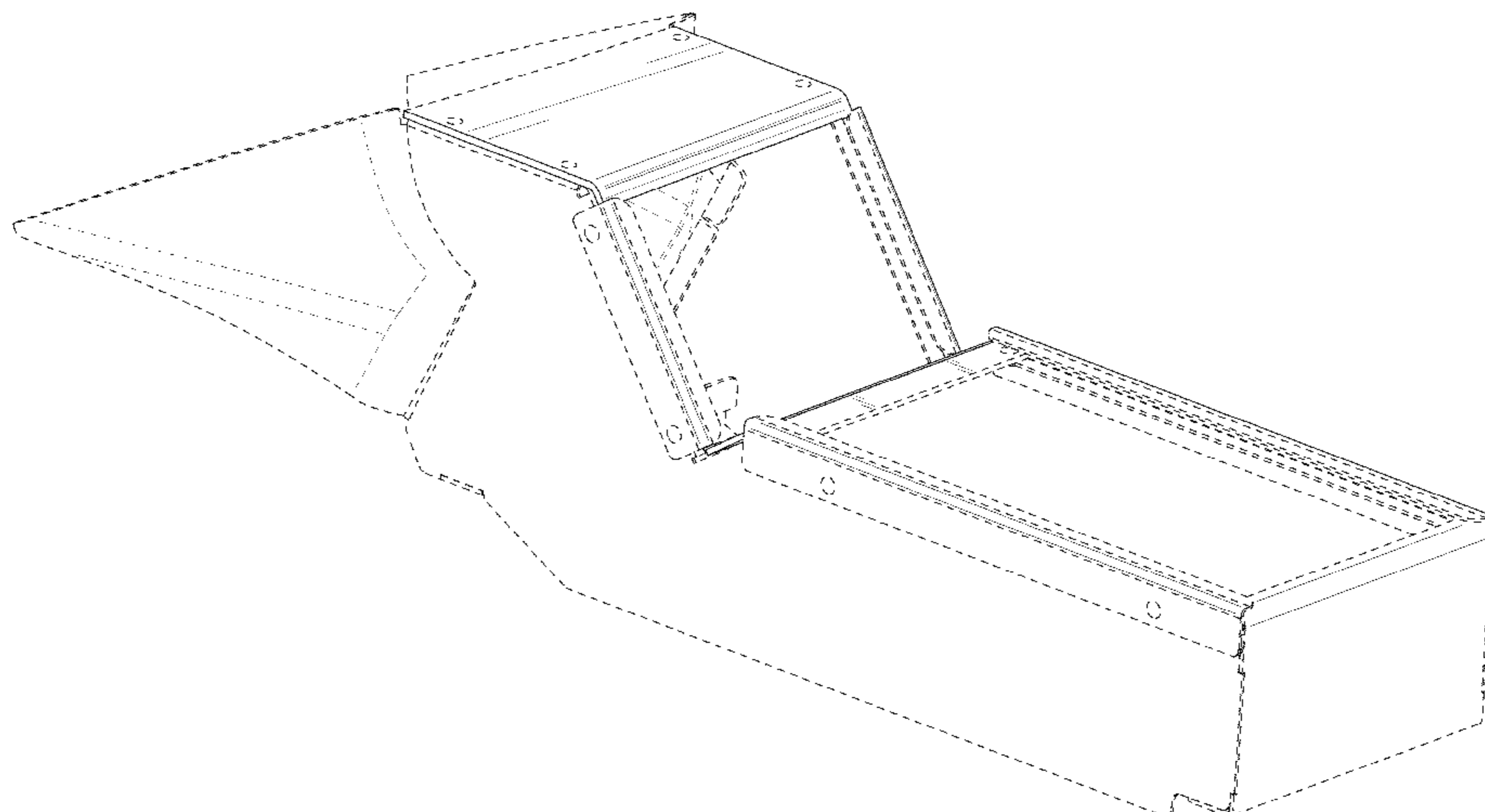
D218,438 S 8/1970 Shook
D233,428 S 10/1974 Hestand
D249,262 S 9/1978 Neece
D279,329 S 6/1985 Dzak
4,690,448 A 9/1987 Fujisawa

FIG. 5 is a left side view of the center console shown in FIG. 1.

FIG. 6 is a top view of the center console shown in FIG. 1; and,

FIG. 7 is a bottom view of the center console shown in FIG. 1. The elements shown in broken lines are included for the purpose of illustrating environment and form no part of the claimed design.

1 Claim, 6 Drawing Sheets



(56)

References Cited

U.S. PATENT DOCUMENTS

D363,916 S 11/1995 Johnson
 5,609,382 A 3/1997 Schmid et al.
 D429,209 S 8/2000 Inchaurregui
 D429,684 S 8/2000 Johnson
 D434,365 S 11/2000 Herer et al.
 D437,299 S 2/2001 Johnson
 D453,318 S 2/2002 Moore
 6,388,881 B2 5/2002 Yamauchi et al.
 6,428,072 B1 8/2002 Moore
 6,616,206 B2 9/2003 Luginbill et al.
 D500,284 S 12/2004 Clark
 7,210,725 B2 5/2007 Moore
 7,237,816 B1 7/2007 Singh et al.
 D568,232 S 5/2008 Motozaki et al.
 7,506,843 B2 3/2009 McKelvey
 D632,639 S 2/2011 Rosenbohm
 7,891,719 B2 2/2011 Carnevali
 7,914,059 B2 3/2011 Carnevali
 D672,307 S 12/2012 von Holzhausen et al.
 D672,706 S * 12/2012 Okumura D12/415
 D694,701 S * 12/2013 Ouellette D12/415
 D729,144 S * 5/2015 Yamamoto D12/415
 2003/0067183 A1 4/2003 Moore
 2004/0169387 A1 9/2004 Moore
 2007/0182183 A1 * 8/2007 Lota B60R 7/04
 296/24.34

2007/0216182 A1 9/2007 Moore
 2009/0058120 A1 * 3/2009 Ioka B60H 1/0055
 296/24.34
 2009/0115215 A1 * 5/2009 Abro B60R 7/04
 269/24.34
 2010/0090489 A1 4/2010 Carnevali
 2010/0090490 A1 4/2010 Carnevali
 2010/0282802 A1 11/2010 Carnevali
 2010/0283277 A1 11/2010 Carnevali
 2010/0283281 A1 11/2010 Carnevali
 2012/0049601 A1 * 3/2012 von Rothkirch und
 Panthen B60N 2/4646
 297/411.2
 2014/0265405 A1 * 9/2014 Appelboum B60R 7/04
 296/24.34
 2015/0035308 A1 2/2015 Huebner et al.
 2015/0036308 A1 * 2/2015 Stucken H05K 1/115
 361/782

OTHER PUBLICATIONS

Jotto part No. 425-6138, Jotto Desk, known and accessible to the public at least prior to Nov. 18, 2010, retrieved from the Internet <URL: http://www.customorderpolicespecialties.com/Jotto-Desk-Consoles/Jotto_Desk_Dodger_Charger_425_6138>, 2 pages. Office Action from the Canadian Intellectual Property Office for Application No. 143540 dated Apr. 4, 2012 (2 pages).

* cited by examiner

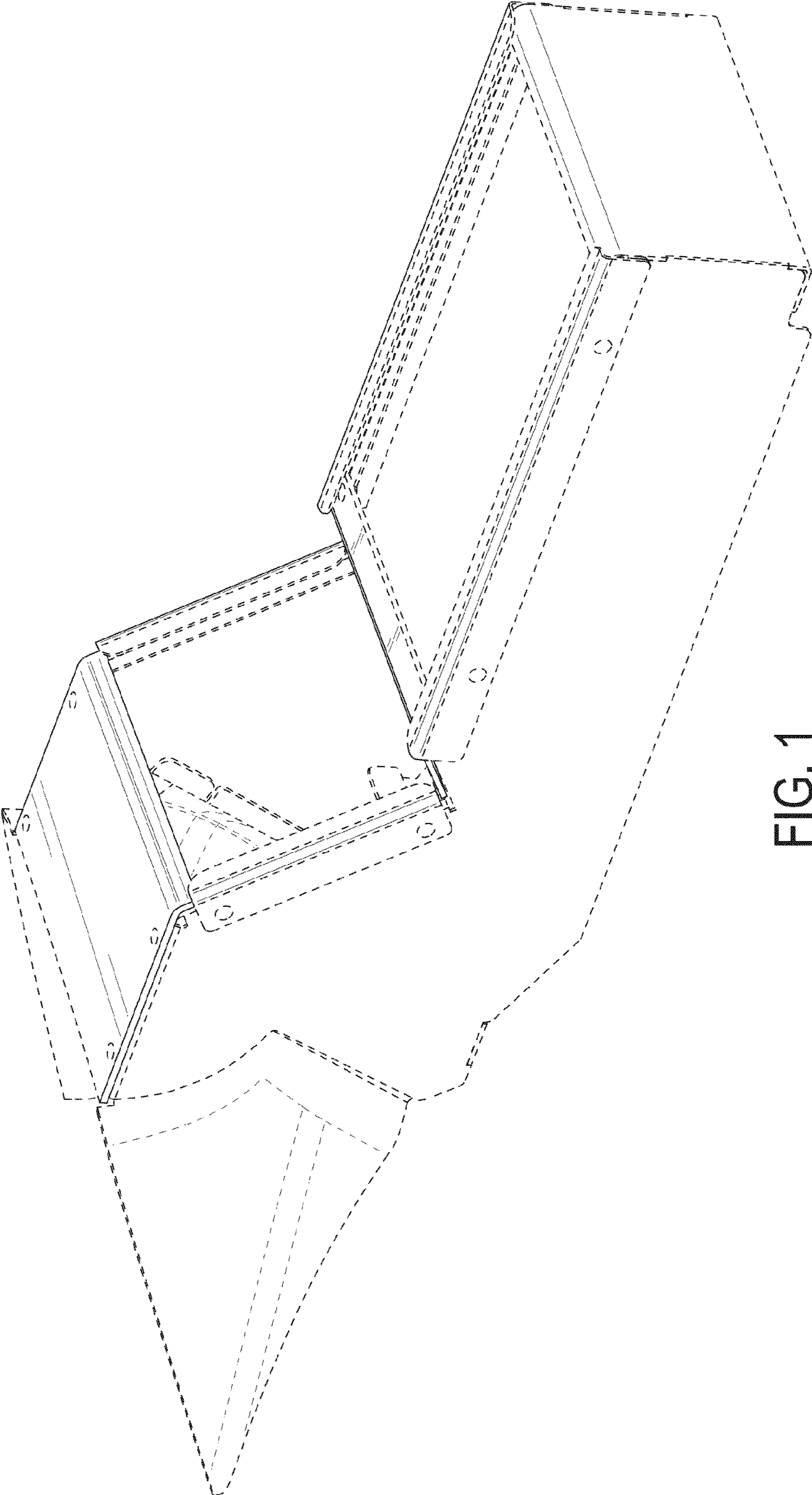


FIG. 1

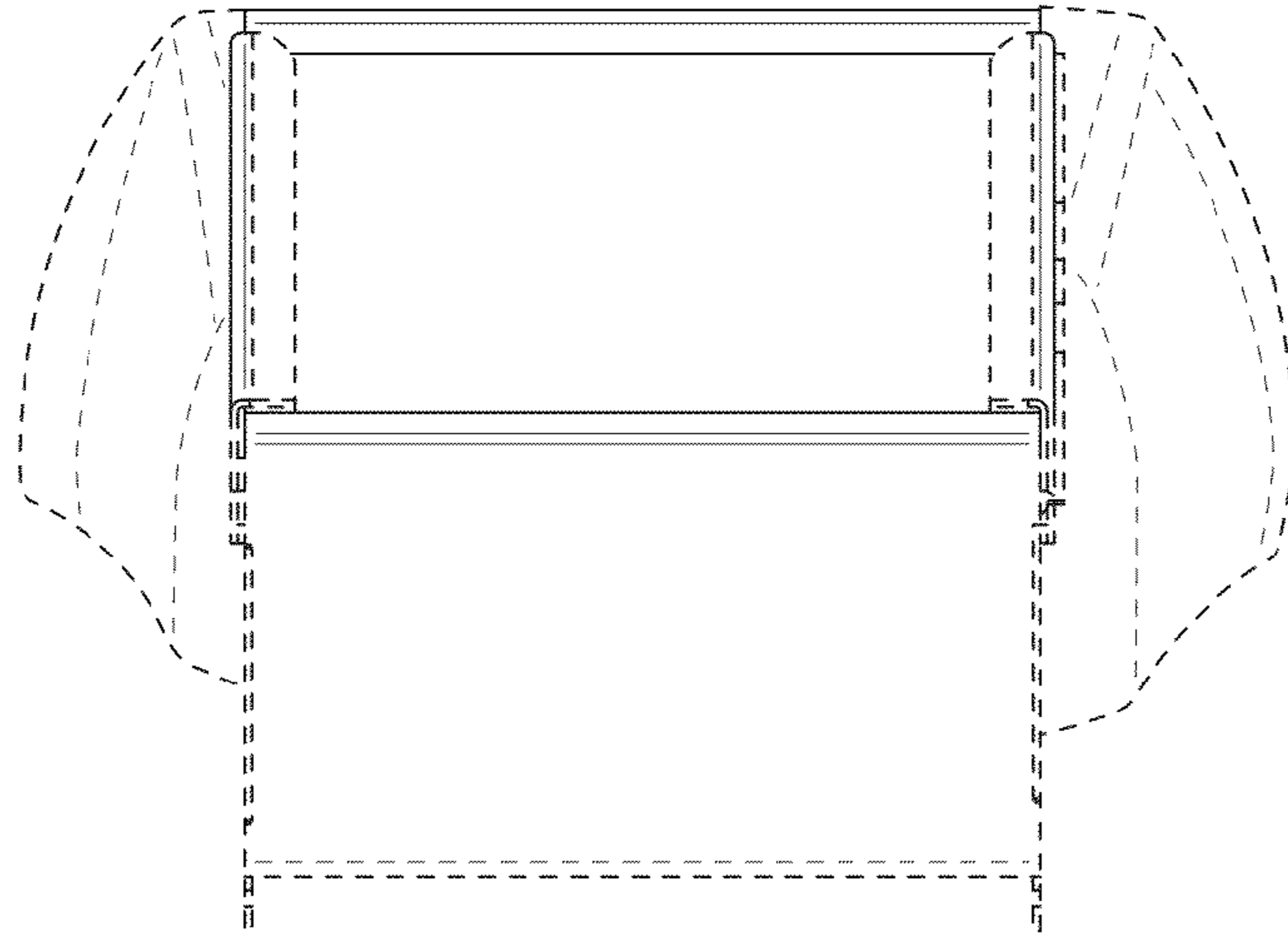


FIG. 2

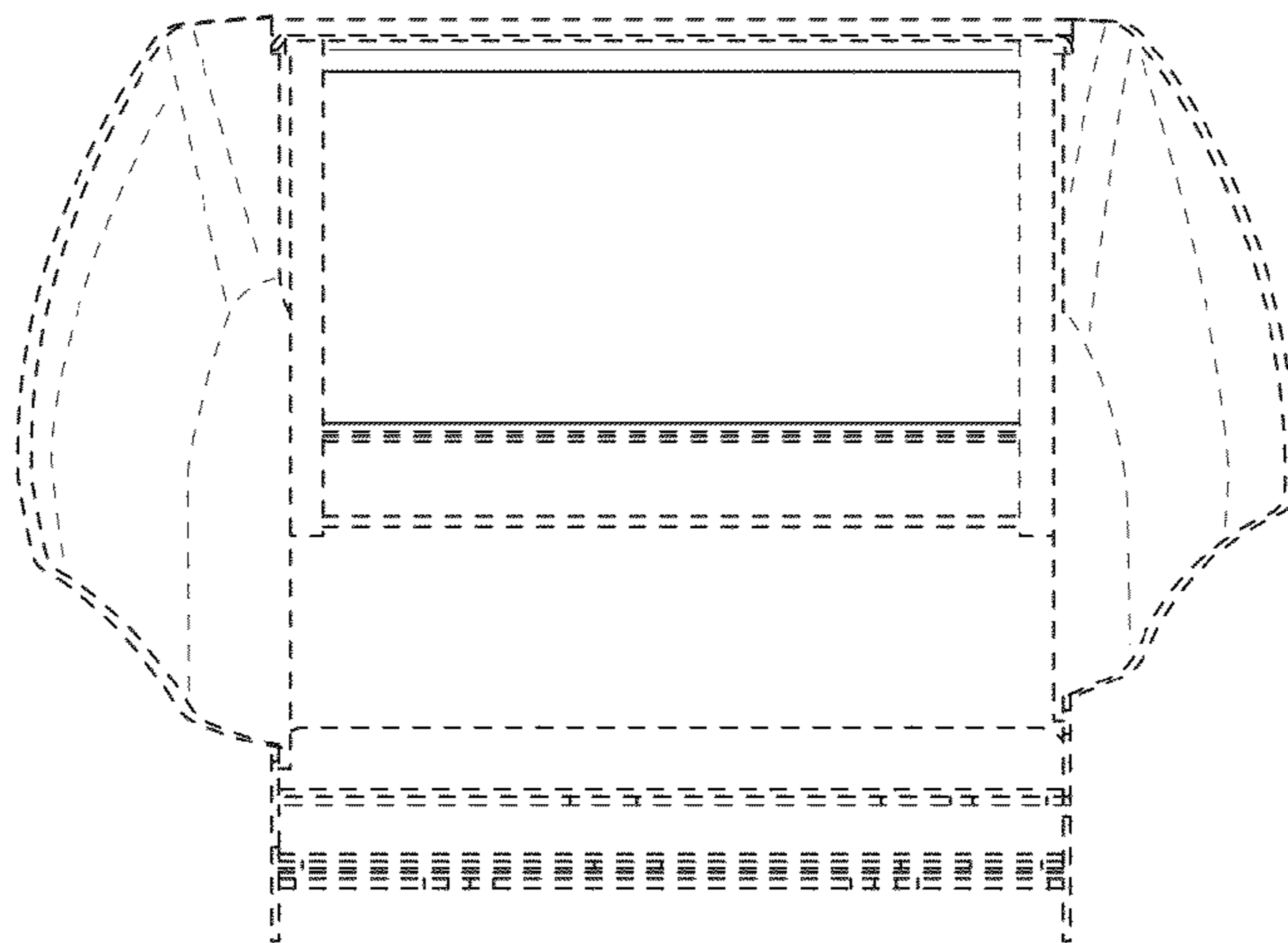


FIG. 3

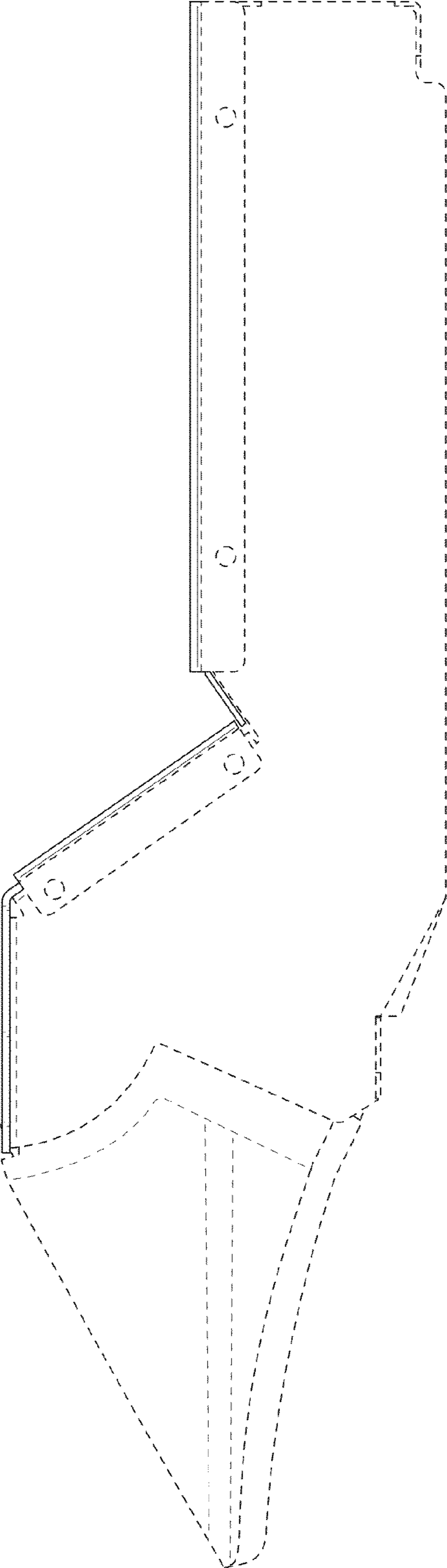


FIG. 4

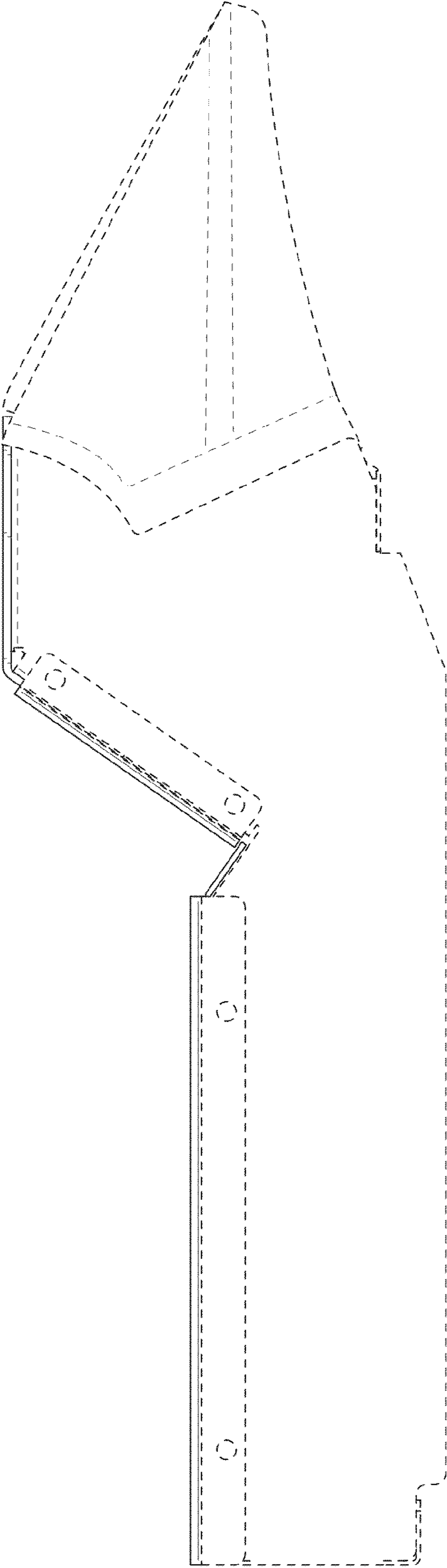


FIG. 5

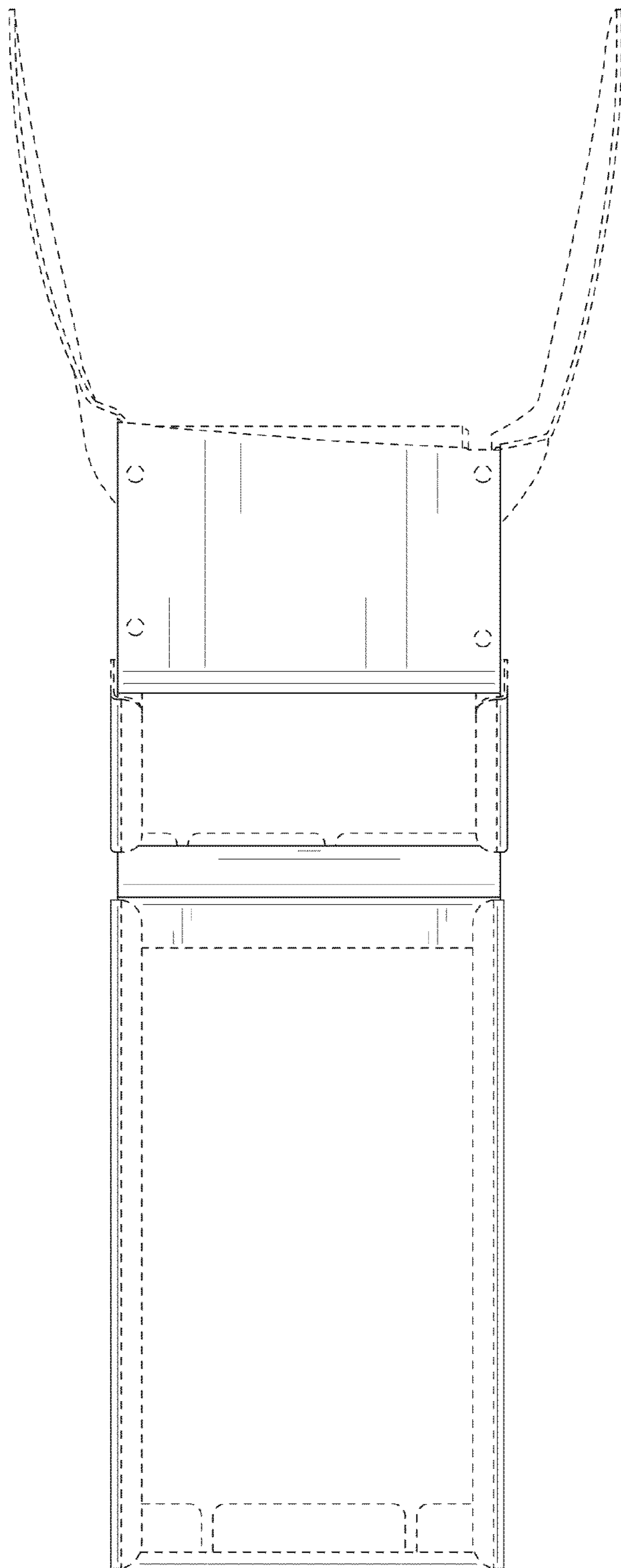


FIG. 6

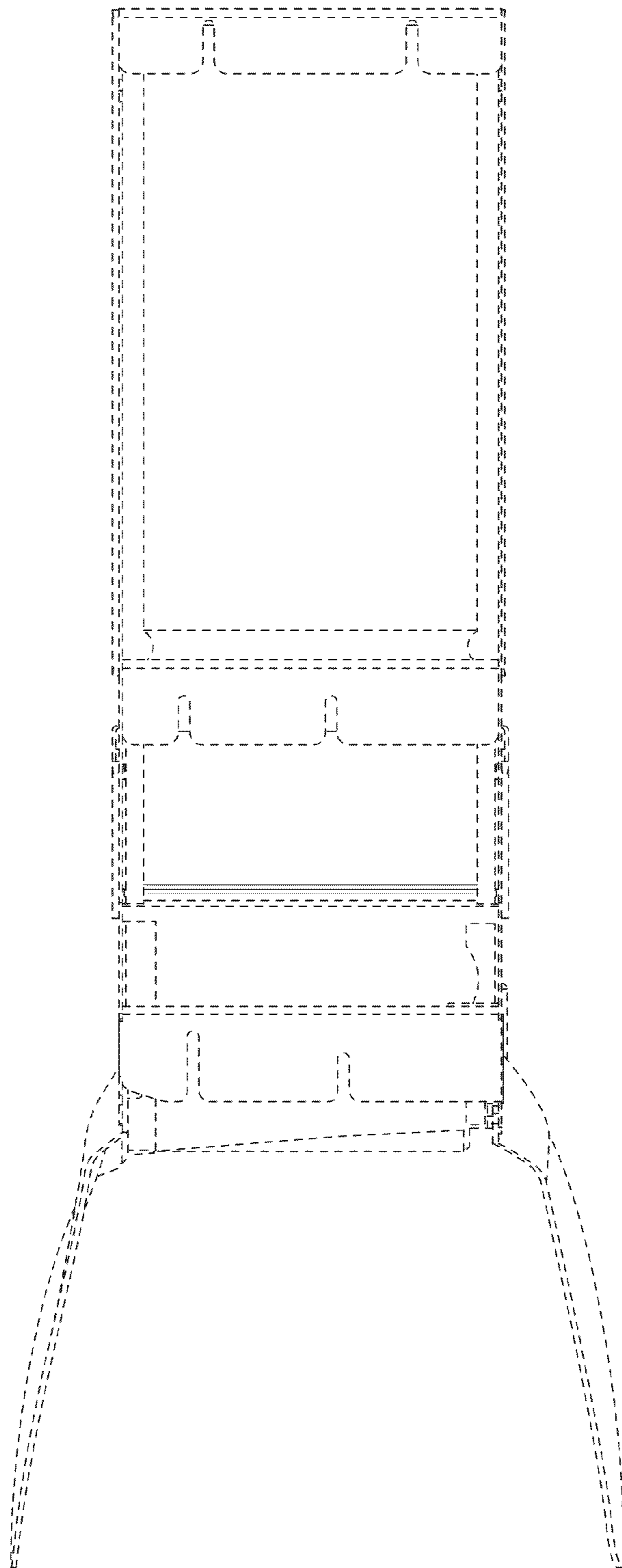


FIG. 7