

US00D755705S

(12) **United States Design Patent**  
**Shin**

(10) **Patent No.:** **US D755,705 S**

(45) **Date of Patent:** **\*\* May 10, 2016**

(54) **LOCKING PLATE FOR TIRE MOUNTED ANTI-SKID APPARATUS**

(56) **References Cited**

U.S. PATENT DOCUMENTS

(71) Applicant: **Autovox Korea Co., Ltd.**, Hwaseong-si, Gyeonggi-do (KR)

4,852,948 A \* 8/1989 Vagias ..... B60C 27/04 152/216

5,247,980 A \* 9/1993 Haruda ..... B60C 27/12 152/170

(72) Inventor: **Dae Kyun Shin**, Hwaseong-si (KR)

2003/0056868 A1 \* 3/2003 Gentry ..... B60C 27/10 152/217

(73) Assignee: **AUTOVOX KOREA CO., LTD.**, Gyeonggi-Do (KR)

2012/0125502 A1 \* 5/2012 Kim ..... 152/213

\* cited by examiner

(\*\*) Term: **14 Years**

*Primary Examiner* — Katrina A Betton

(74) *Attorney, Agent, or Firm* — Revolution IP, PLLC

(21) Appl. No.: **29/496,042**

(57) **CLAIM**

The ornamental design for a “locking plate for tire mounted anti-skid apparatus,” as shown and described.

(22) Filed: **Jul. 9, 2014**

**DESCRIPTION**

(51) **LOC (10) Cl.** ..... **12-16**

FIG. 1 is a perspective view of locking plate for tire mounted anti-skid apparatus showing my new design; FIG. 2 is a front elevational view thereof; FIG. 3 is a back elevational view thereof; FIG. 4 is a left side elevational view thereof; FIG. 5 is a right side elevational view thereof; FIG. 6 is a top view thereof; and, FIG. 7 is a bottom view thereof.

(52) **U.S. Cl.**

USPC ..... **D12/400**

(58) **Field of Classification Search**

USPC ..... D12/400

CPC ..... B60C 27/04

See application file for complete search history.

**1 Claim, 6 Drawing Sheets**

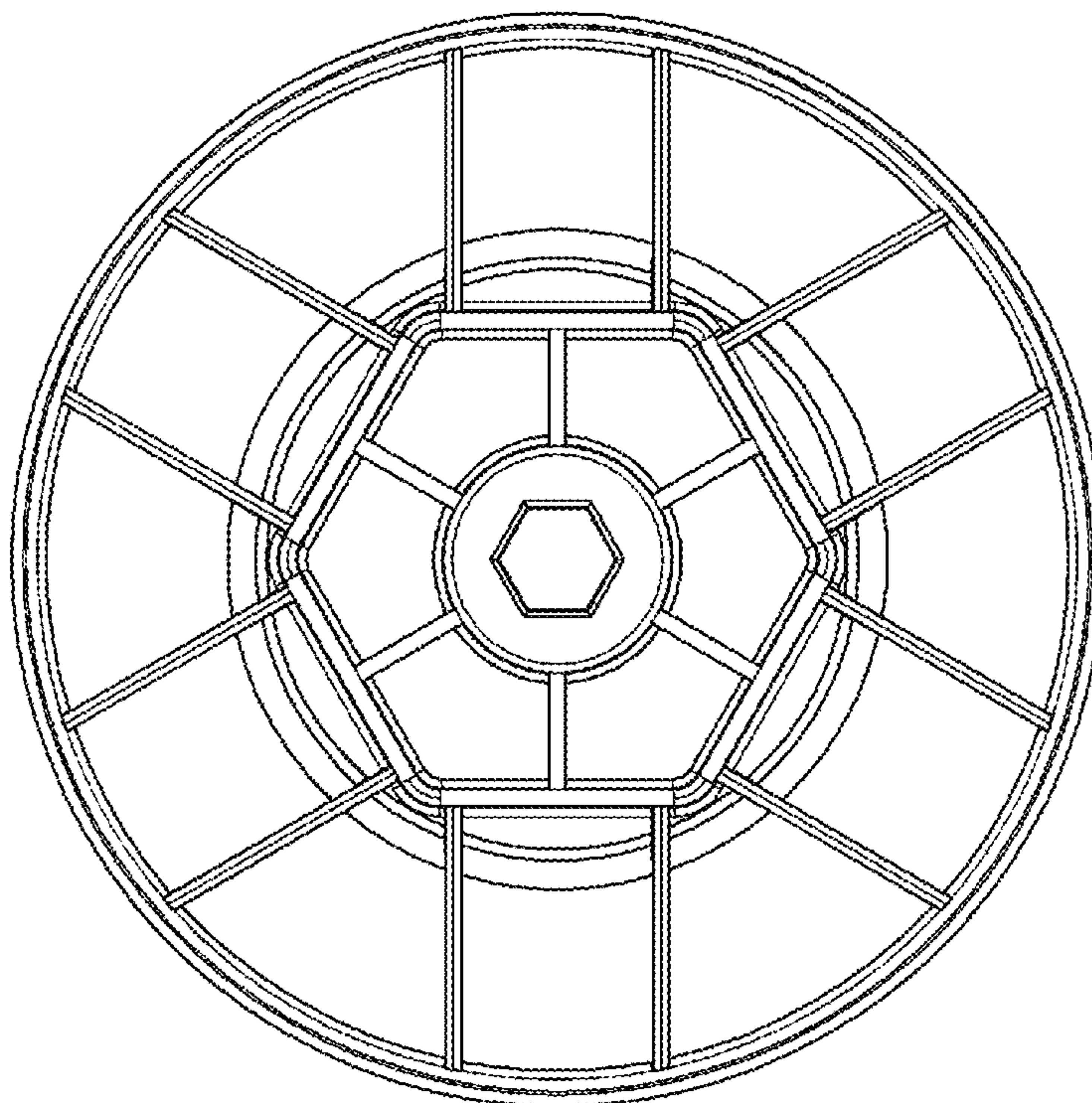


FIG. 1

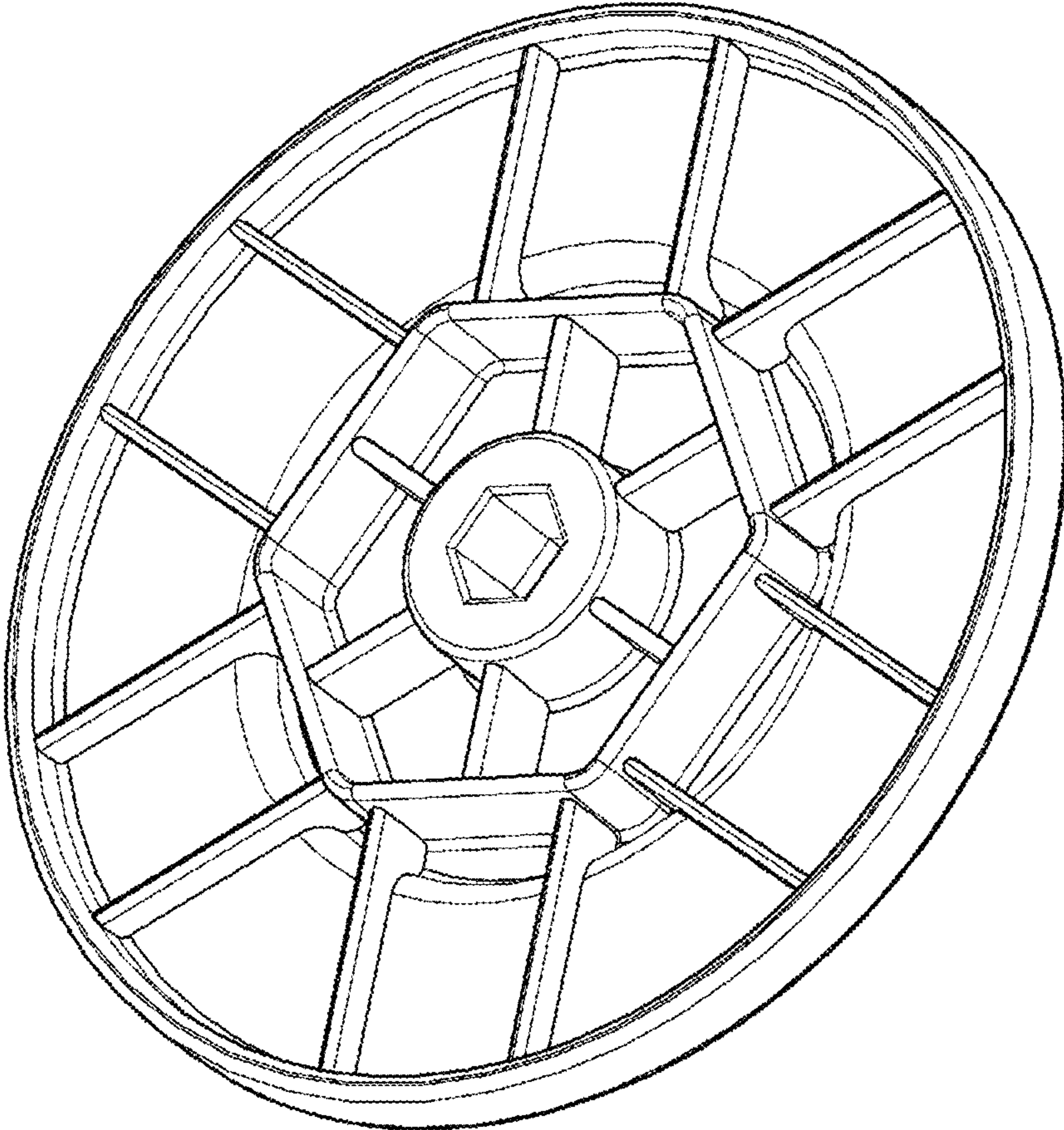
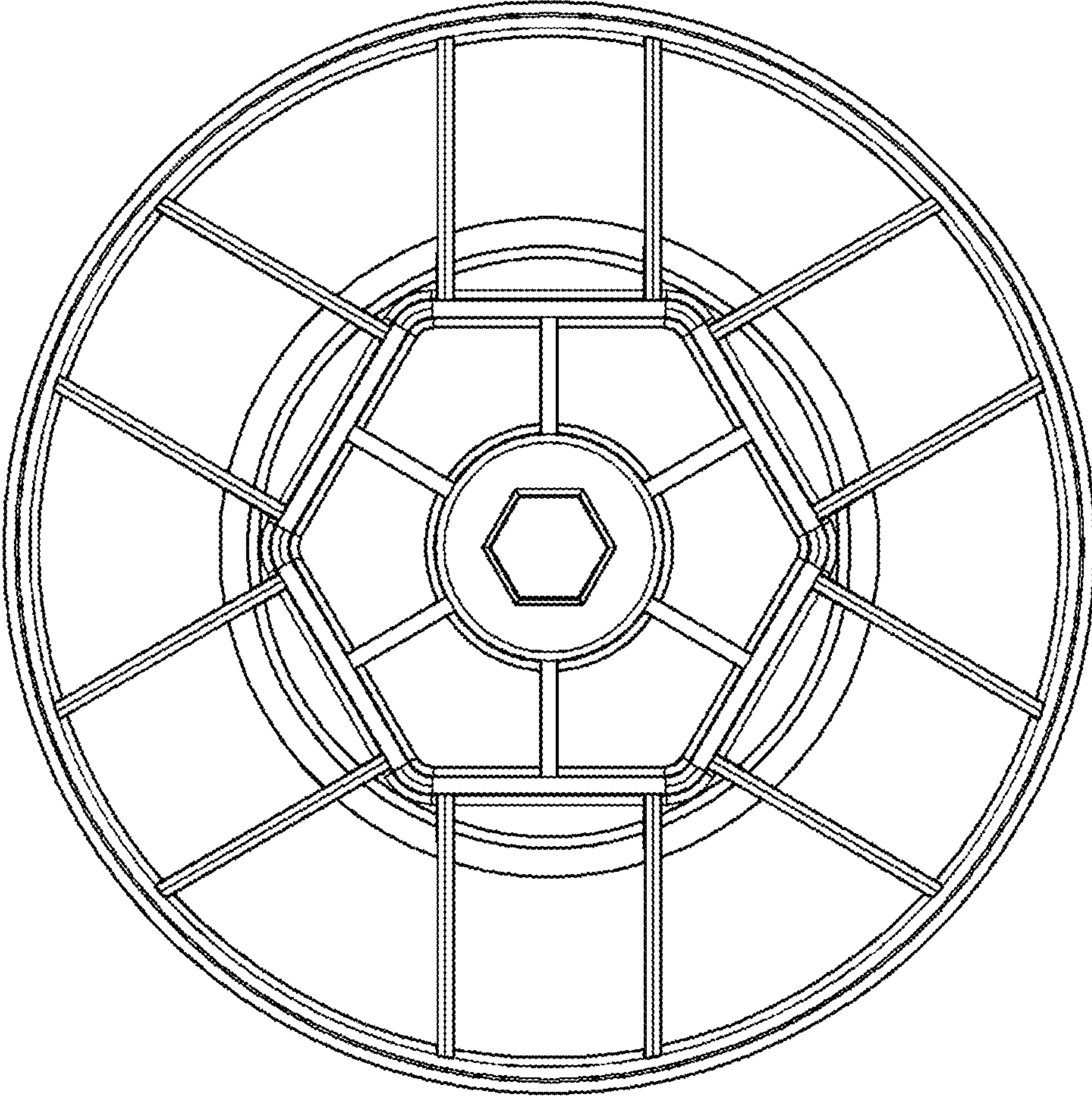


FIG. 2





**FIG. 3**

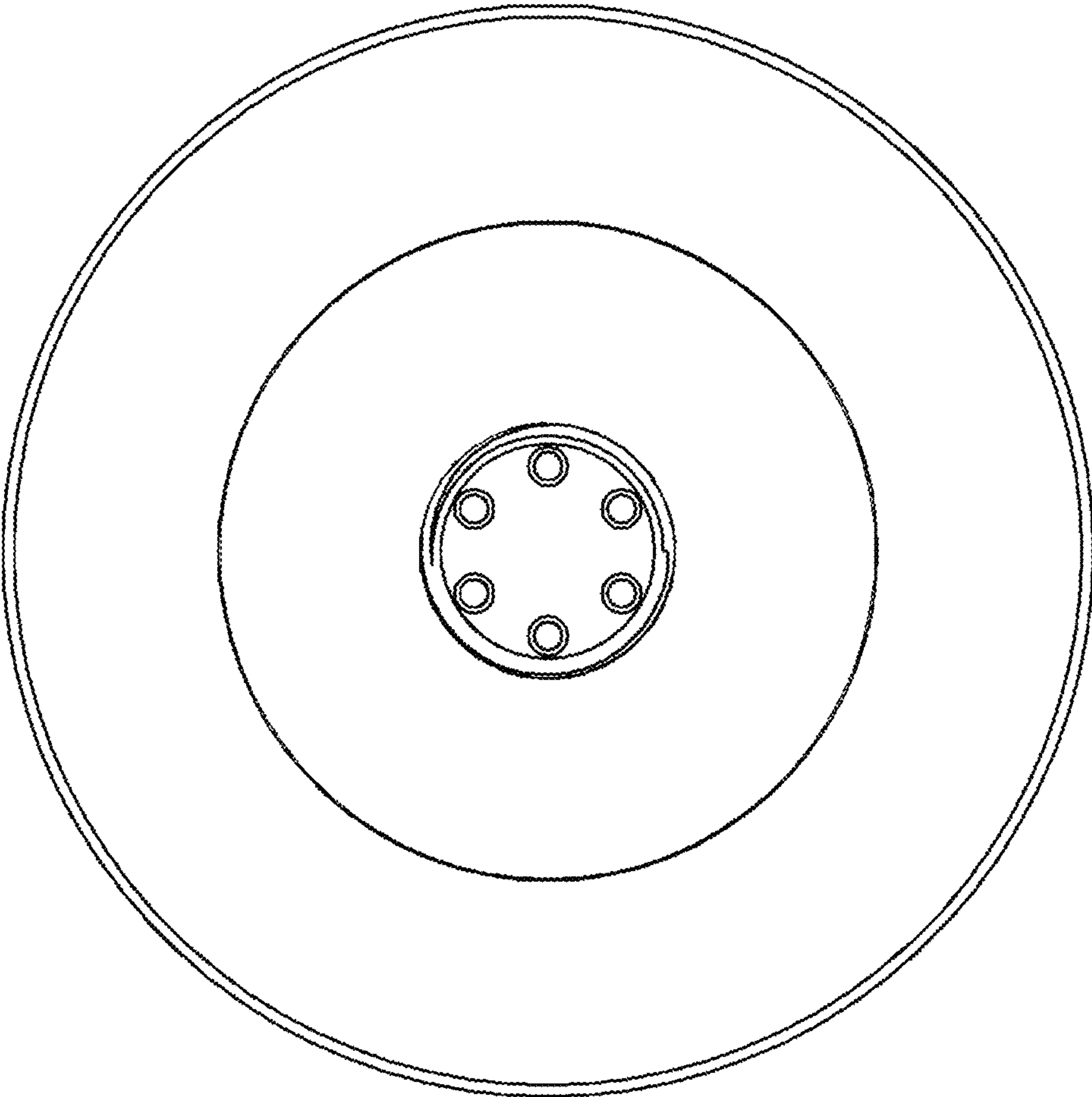
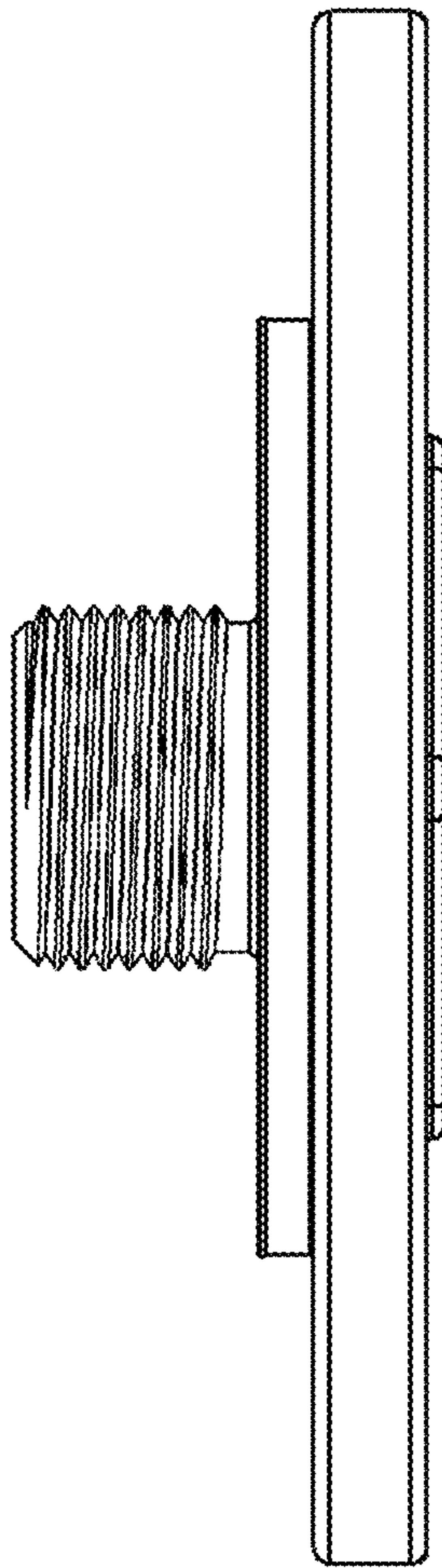
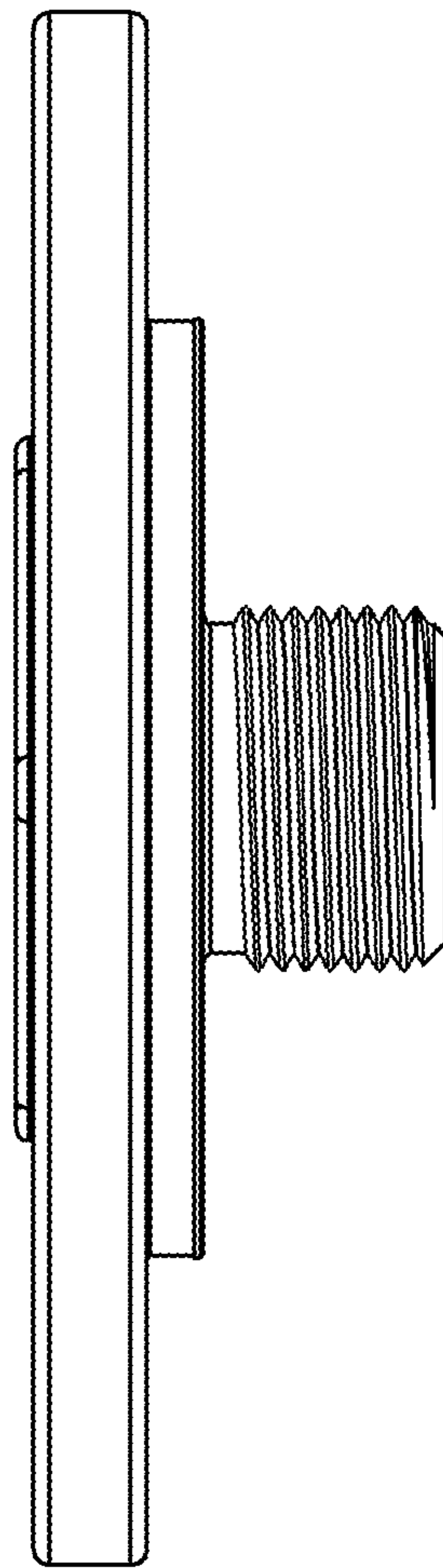


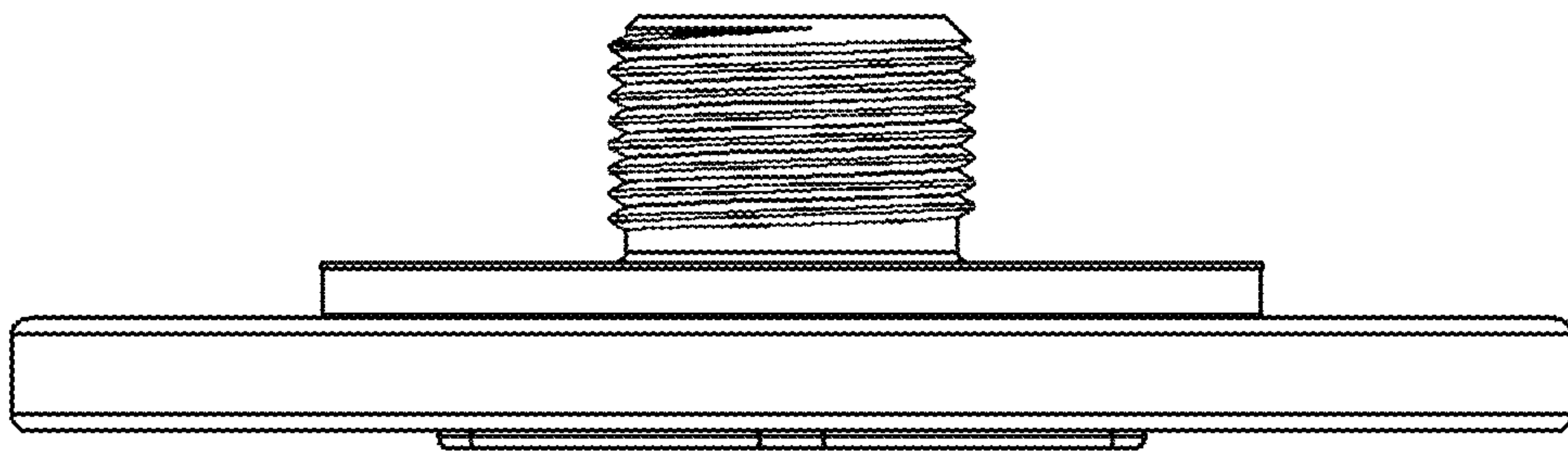
FIG. 4



**FIG. 5**



**FIG. 6**



**FIG. 7**

