



US00D755702S

(12) **United States Design Patent**
Hall et al.

(10) **Patent No.:** **US D755,702 S**
(45) **Date of Patent:** **** May 10, 2016**

(54) **AIRPLANE**

(71) Applicants: **David W. Hall**, Foster City, CA (US);
Robert van't Riet, Los Osos, CA (US)

(72) Inventors: **David W. Hall**, Foster City, CA (US);
Robert van't Riet, Los Osos, CA (US)

(**) Term: **15 Years**

(21) Appl. No.: **29/528,530**

(22) Filed: **May 29, 2015**

(51) **LOC (10) Cl.** **17-02**

(52) **U.S. Cl.**
USPC **D12/343**

(58) **Field of Classification Search**
USPC D12/16.1, 319, 325, 326, 327, 328, 329,
D12/330, 333, 343, 344, 345, 337;
D21/301, 437, 441, 443, 446, 447, 448,
D21/453, 454, 461
CPC B64C 2201/146; B64C 2201/141;
B64C 2201/126; B64C 2201/021; B64C 29/00
See application file for complete search history.

(56) **References Cited**

U.S. PATENT DOCUMENTS

- 4,379,533 A * 4/1983 Caldwell B64C 39/02
244/118.1
- 5,201,479 A * 4/1993 Renzelmann B64C 3/56
244/49
- 5,312,072 A * 5/1994 Eklund B64D 25/00
24/118.5
- D608,720 S * 1/2010 Saint-Jalmes D12/319
- D621,776 S * 8/2010 Cazals D12/345
- D622,206 S * 8/2010 Gall D12/345
- D622,654 S * 8/2010 Gall D12/345

- D628,530 S * 12/2010 Gall D12/345
- D630,996 S * 1/2011 Gall D12/319
- D634,696 S * 3/2011 Saint-Jalmes D12/345
- D635,084 S * 3/2011 Saint-Jalmes D12/345
- 7,905,449 B2 * 3/2011 Cazals B64C 5/06
244/53 R
- D651,156 S * 12/2011 Gundlach D12/319
- 8,074,924 B2 * 12/2011 Cros B64C 5/06
244/13
- D702,622 S * 4/2014 Klimov D12/319
- D727,242 S * 4/2015 Egan D12/319
- D731,395 S * 6/2015 Ivans D12/345
- D733,029 S * 6/2015 Dutertre D12/319
- D735,633 S * 8/2015 Viala D12/319
- D736,140 S * 8/2015 Moller D12/326
- D743,868 S * 11/2015 Cummings D12/328

* cited by examiner

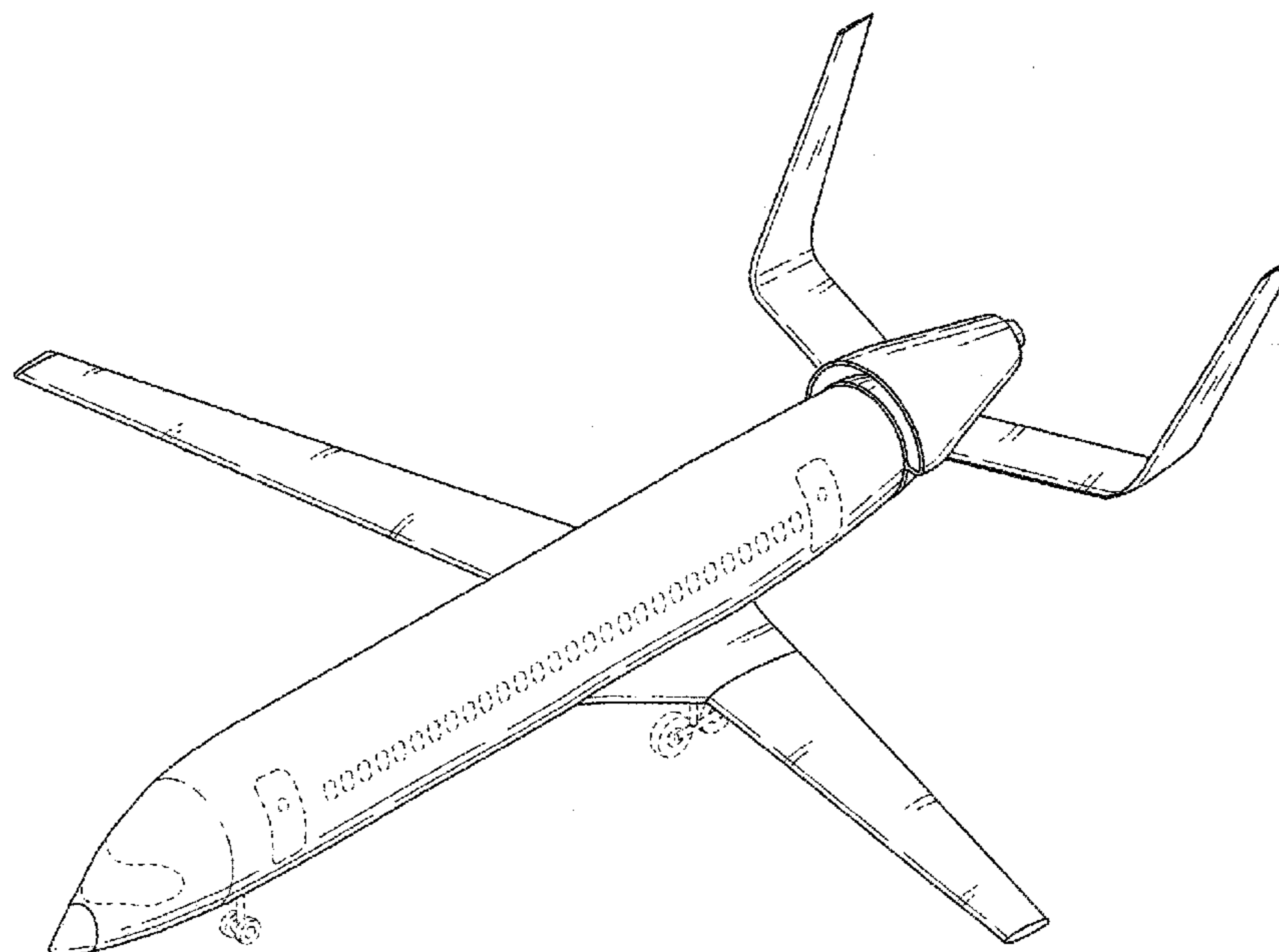
Primary Examiner — Robert M Spear
Assistant Examiner — Marissa J Cash
(74) *Attorney, Agent, or Firm* — Morland C. Fischer

(57) **CLAIM**
The ornamental design for an airplane, as shown and described.

DESCRIPTION

FIG. 1 is a perspective view showing the top, left side and front of an airplane which forms our new design;
FIG. 2 is a top plan view thereof;
FIG. 3 is a left side elevational view thereof;
FIG. 4 is a bottom plan view thereof;
FIG. 5 is a right side elevational view thereof;
FIG. 6 is a front elevational view thereof; and,
FIG. 7 is a rear elevational view thereof.
The broken lines in the drawings represent unclaimed environmental subject matter and form no part of the claim.

1 Claim, 4 Drawing Sheets



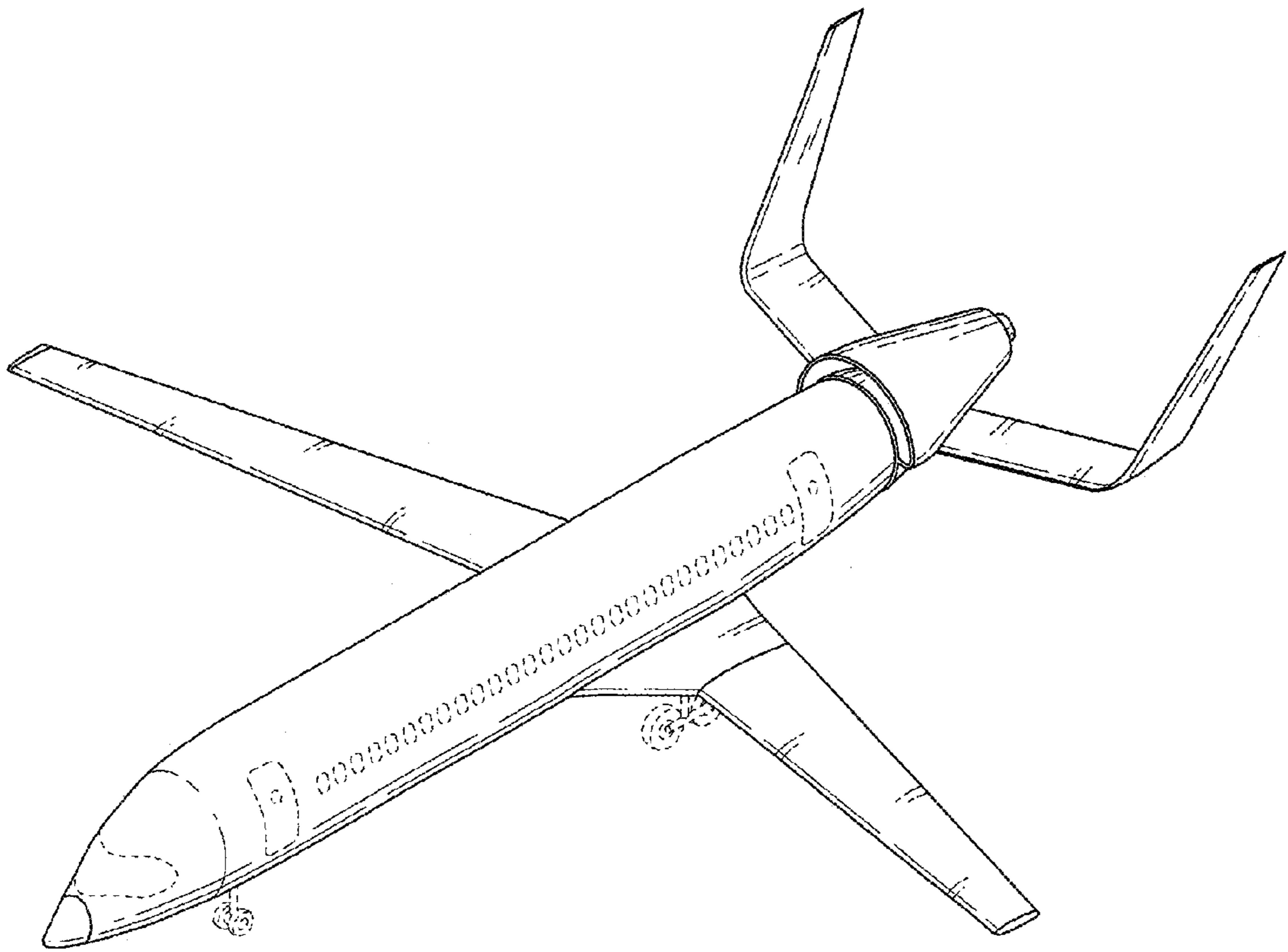


FIG. 1

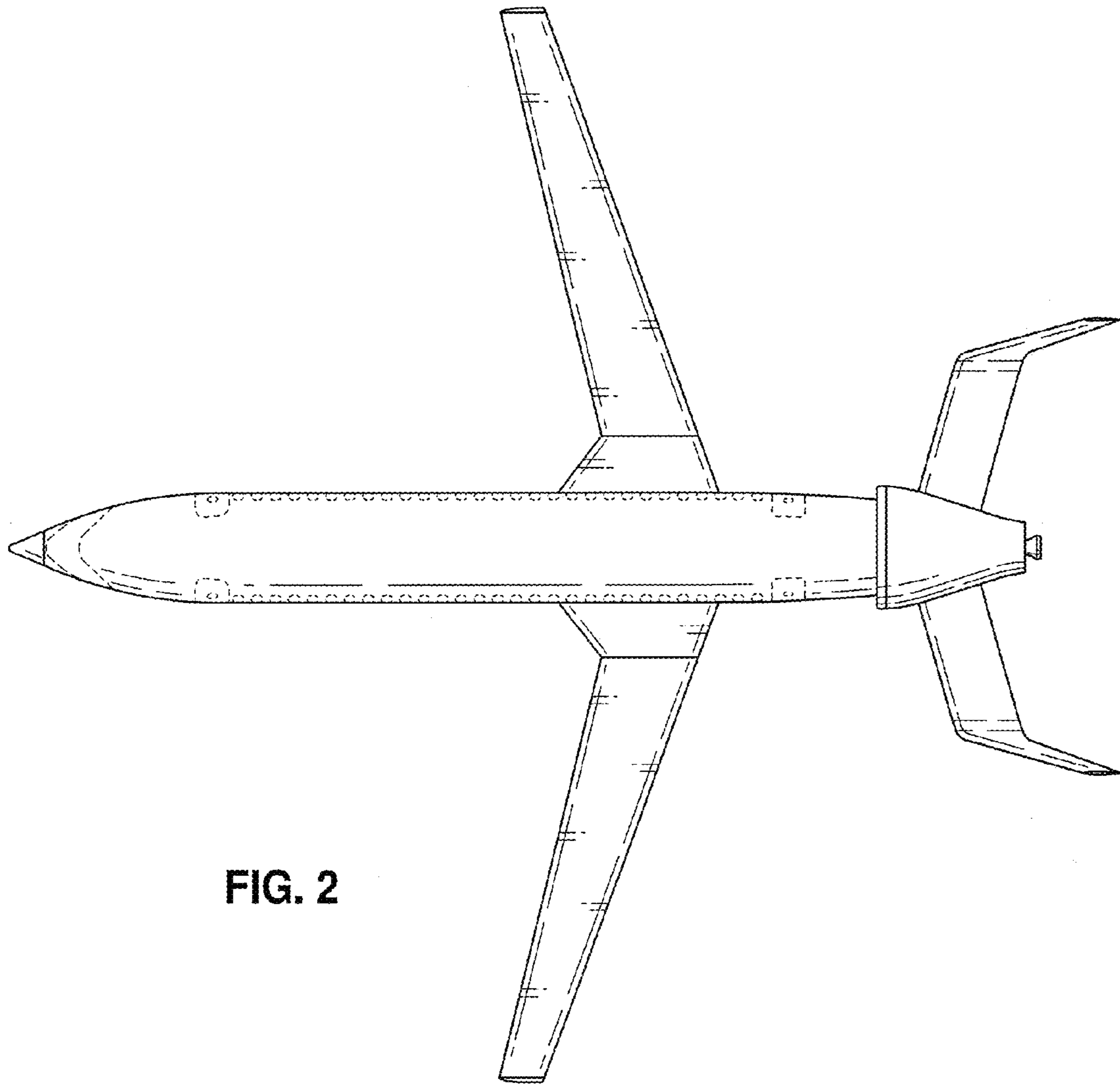


FIG. 2

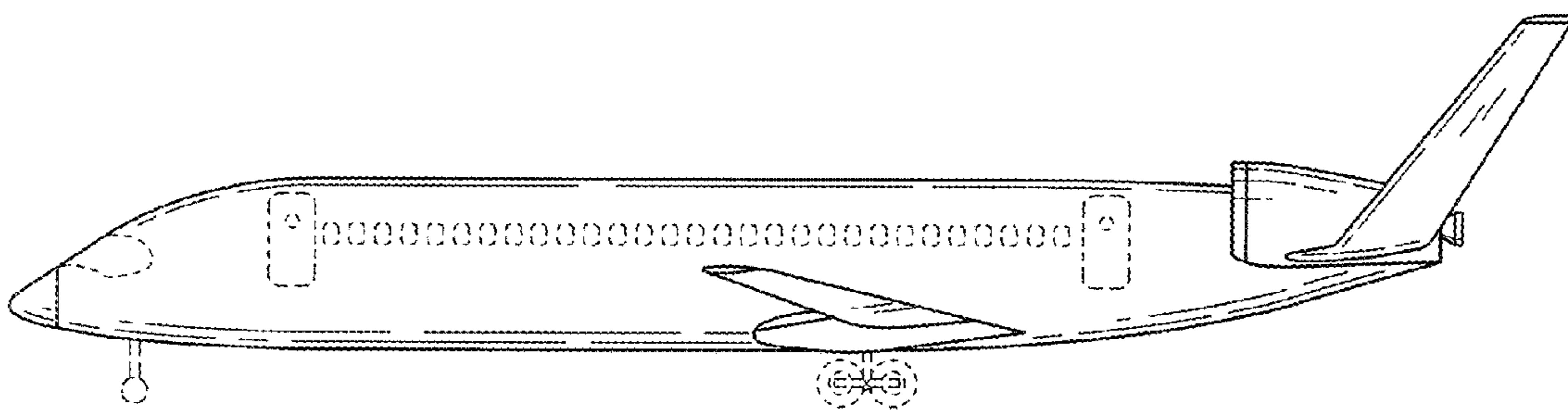


FIG. 3

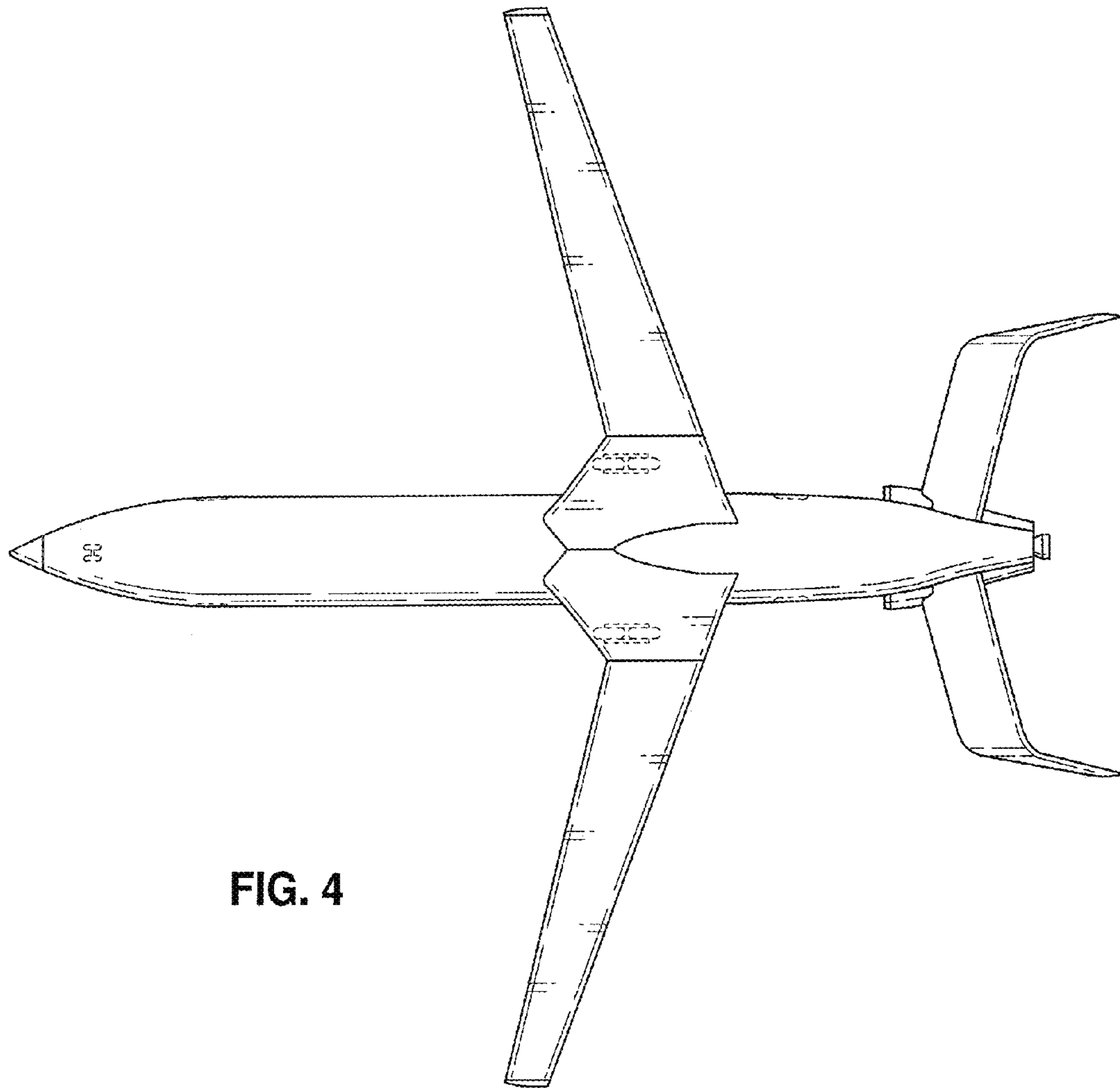


FIG. 4

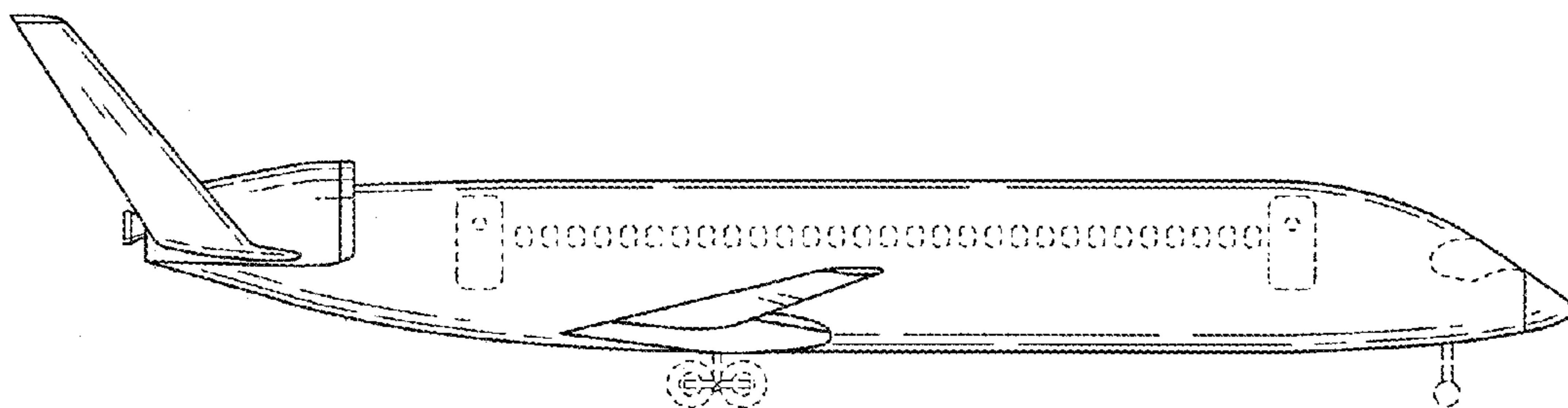


FIG. 5

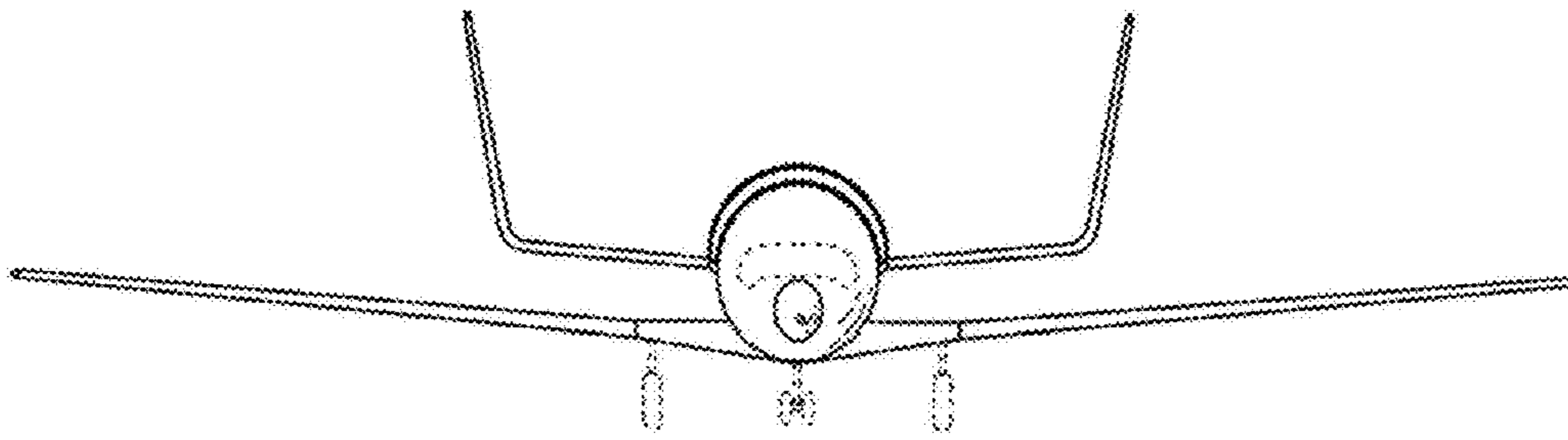


FIG. 6

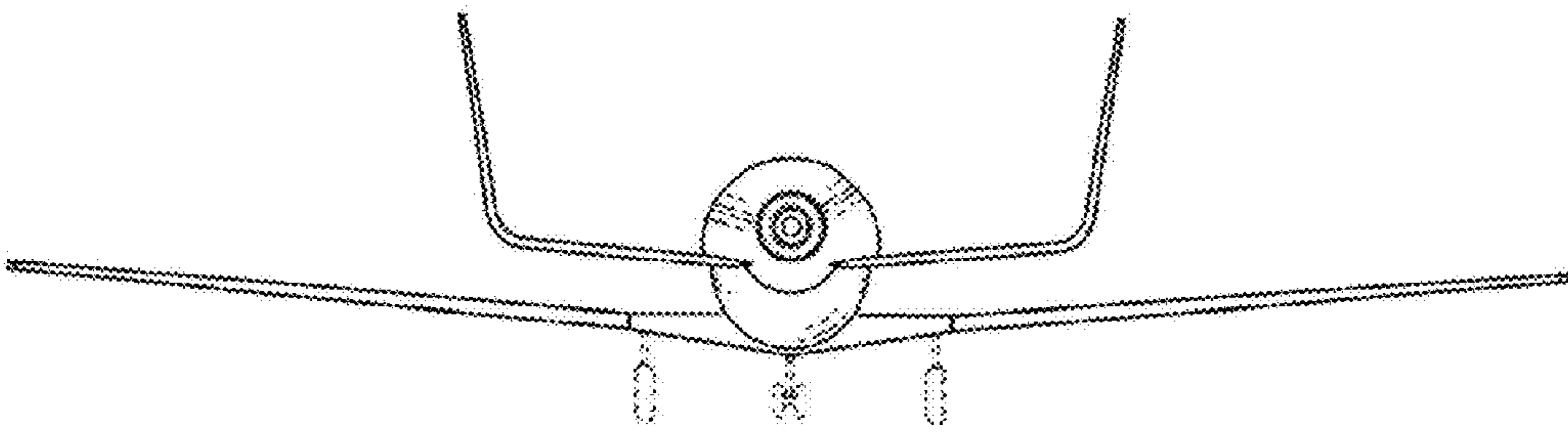


FIG. 7