



US00D755699S

(12) **United States Design Patent**
Valencia Pollex

(10) **Patent No.:** **US D755,699 S**

(45) **Date of Patent:** **** May 10, 2016**

(54) **VEHICLE WHEEL RIM**

(71) Applicant: **AUDI AG**, Ingolstadt (DE)

(72) Inventor: **Andreas Valencia Pollex**, Ingolstadt (DE)

(73) Assignee: **AUDI AG**, Ingolstadt (DE)

(**) Term: **14 Years**

(21) Appl. No.: **29/526,583**

(22) Filed: **May 11, 2015**

(30) **Foreign Application Priority Data**

Nov. 10, 2014 (EM) 002575316-0004

(51) **LOC (10) Cl.** **12-16**

(52) **U.S. Cl.**
USPC **D12/211**

(58) **Field of Classification Search**
USPC D12/204–213
CPC B60B 7/00; B60B 7/02; B60B 7/04;
B60B 7/01; B60B 7/06; B60B 3/02; B60B
3/04; B60B 3/06; B60B 3/10; B60B 1/00;
B60B 1/08; B60B 1/10; B60B 1/12

See application file for complete search history.

(56) **References Cited**

U.S. PATENT DOCUMENTS

D292,201 S	*	10/1987	Reid	D12/211
D408,778 S	*	4/1999	Neeper	D12/211
D432,069 S	*	10/2000	Chung	D12/209
D438,834 S	*	3/2001	Ong	D12/211
D444,439 S	*	7/2001	Cullen	D12/211
D448,716 S	*	10/2001	Ong	D12/211
D455,109 S	*	4/2002	Foose	D12/211
D457,847 S	*	5/2002	Neeper	D12/209
D459,687 S	*	7/2002	Chung	D12/209
D461,758 S	*	8/2002	Takechi	D12/211
D480,348 S	*	10/2003	Donikoglu	D12/211
D488,421 S	*	4/2004	Lee	D12/209
D494,124 S	*	8/2004	Aiello	D12/211
D527,325 S	*	8/2006	Nagashima	D12/209

* cited by examiner

Primary Examiner — Stacia Cadmus

(74) *Attorney, Agent, or Firm* — Lucas & Mercanti, LLP;
Klaus P. Stoffel

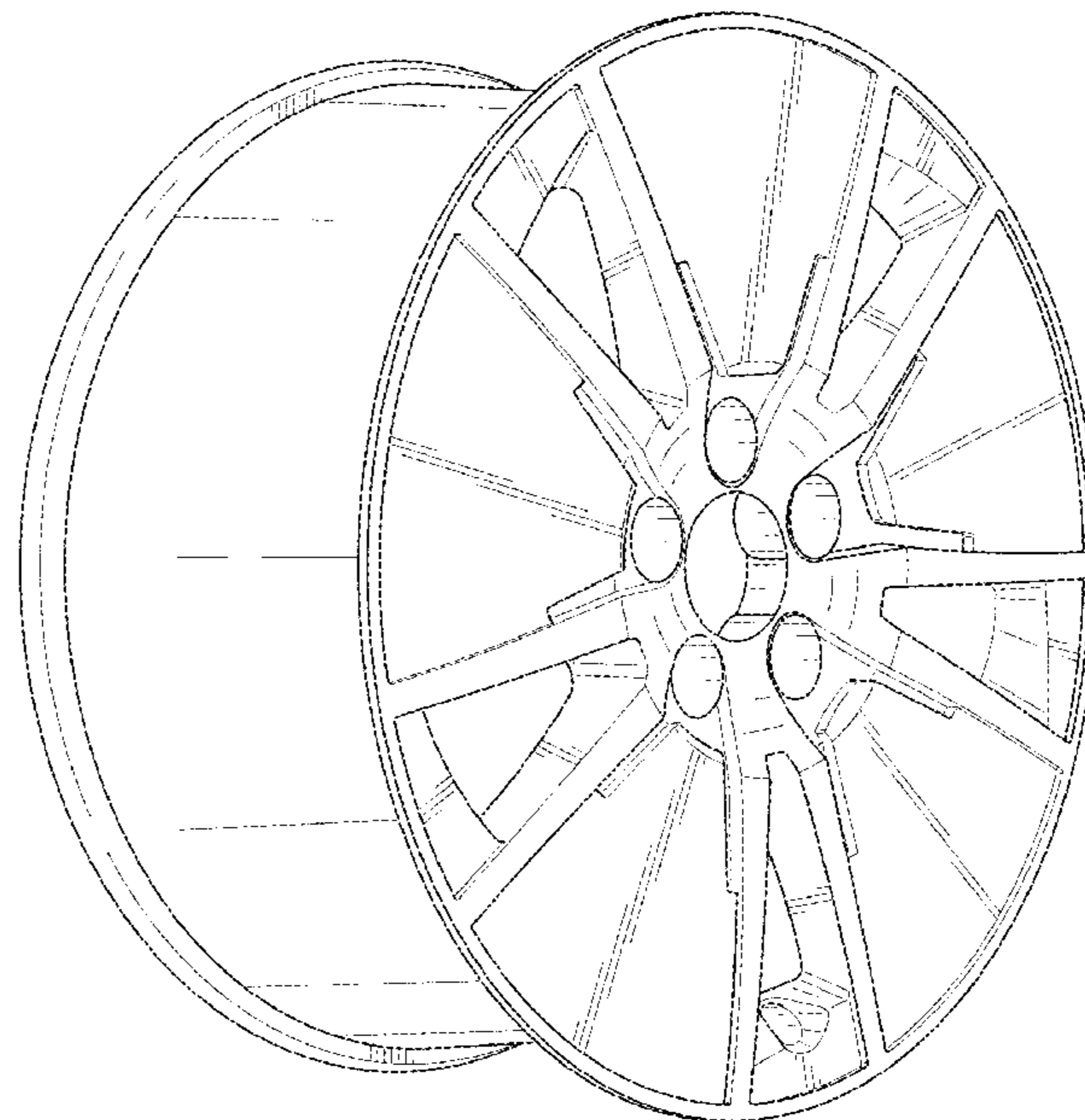
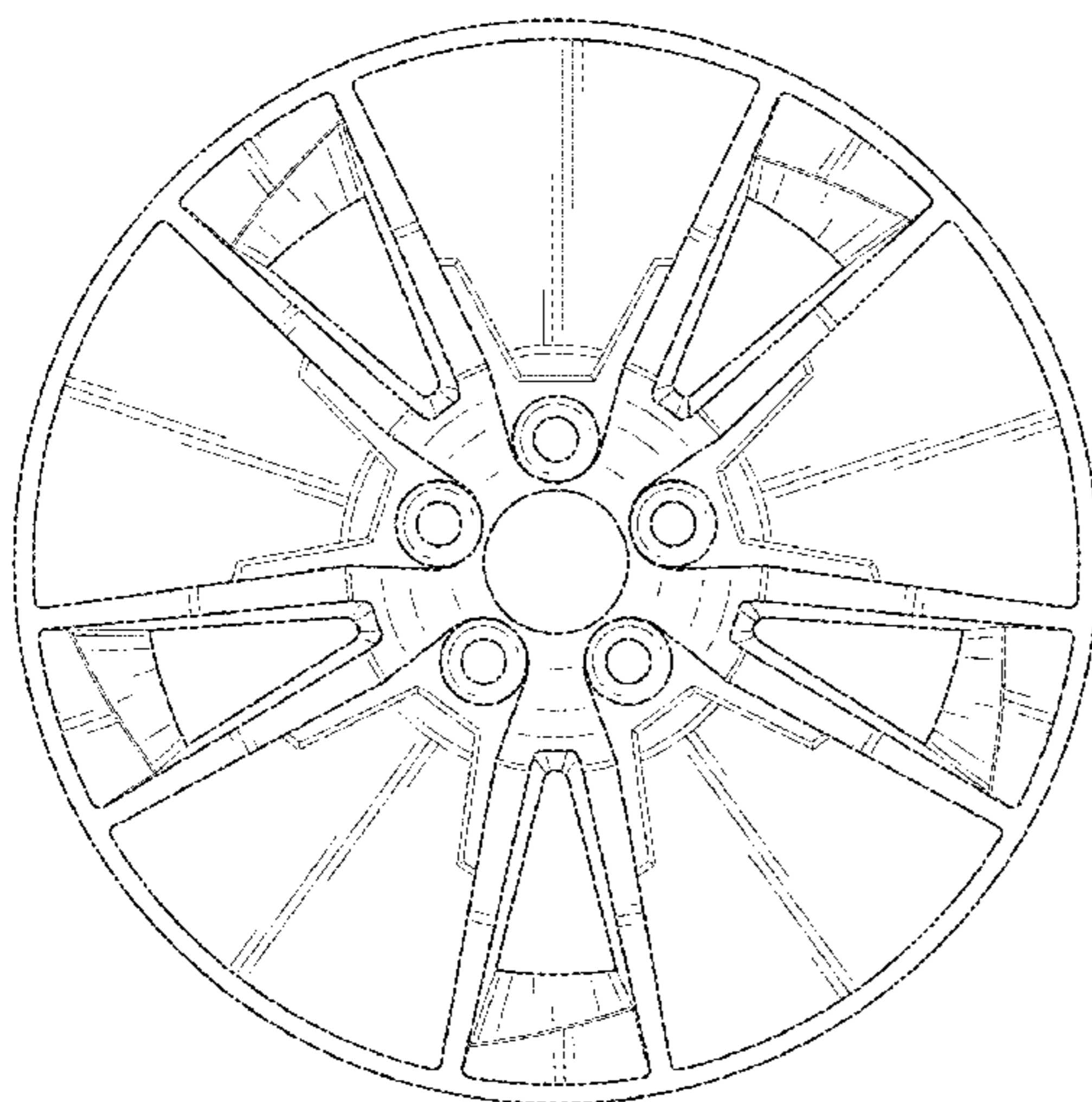
(57) **CLAIM**

The ornamental design for a vehicle wheel rim, as shown and described.

DESCRIPTION

FIG. 1 is a front view of the vehicle wheel rim of the present invention; and,
FIG. 2 is a front, side perspective view thereof.

1 Claim, 2 Drawing Sheets



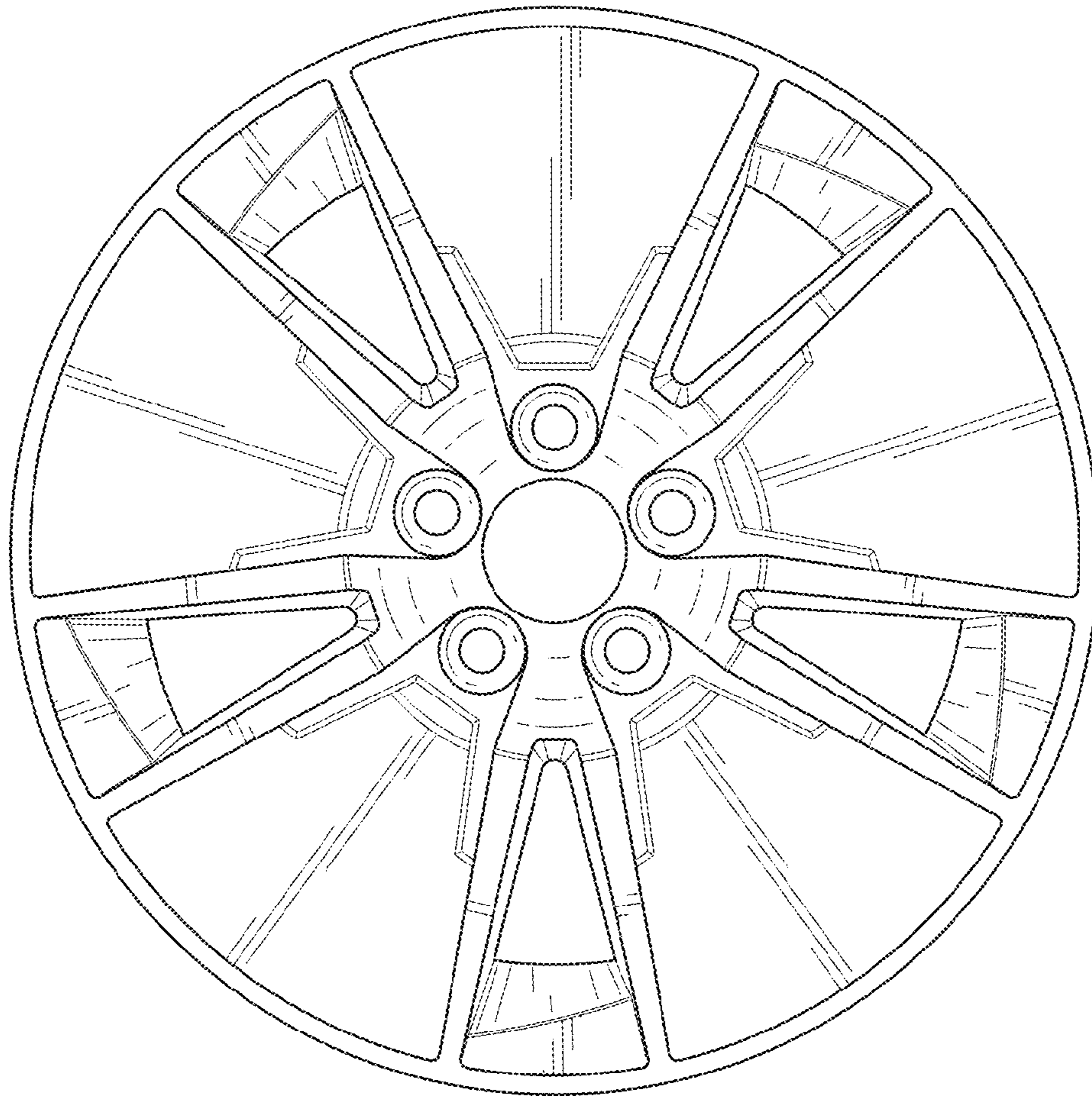


FIG. 1

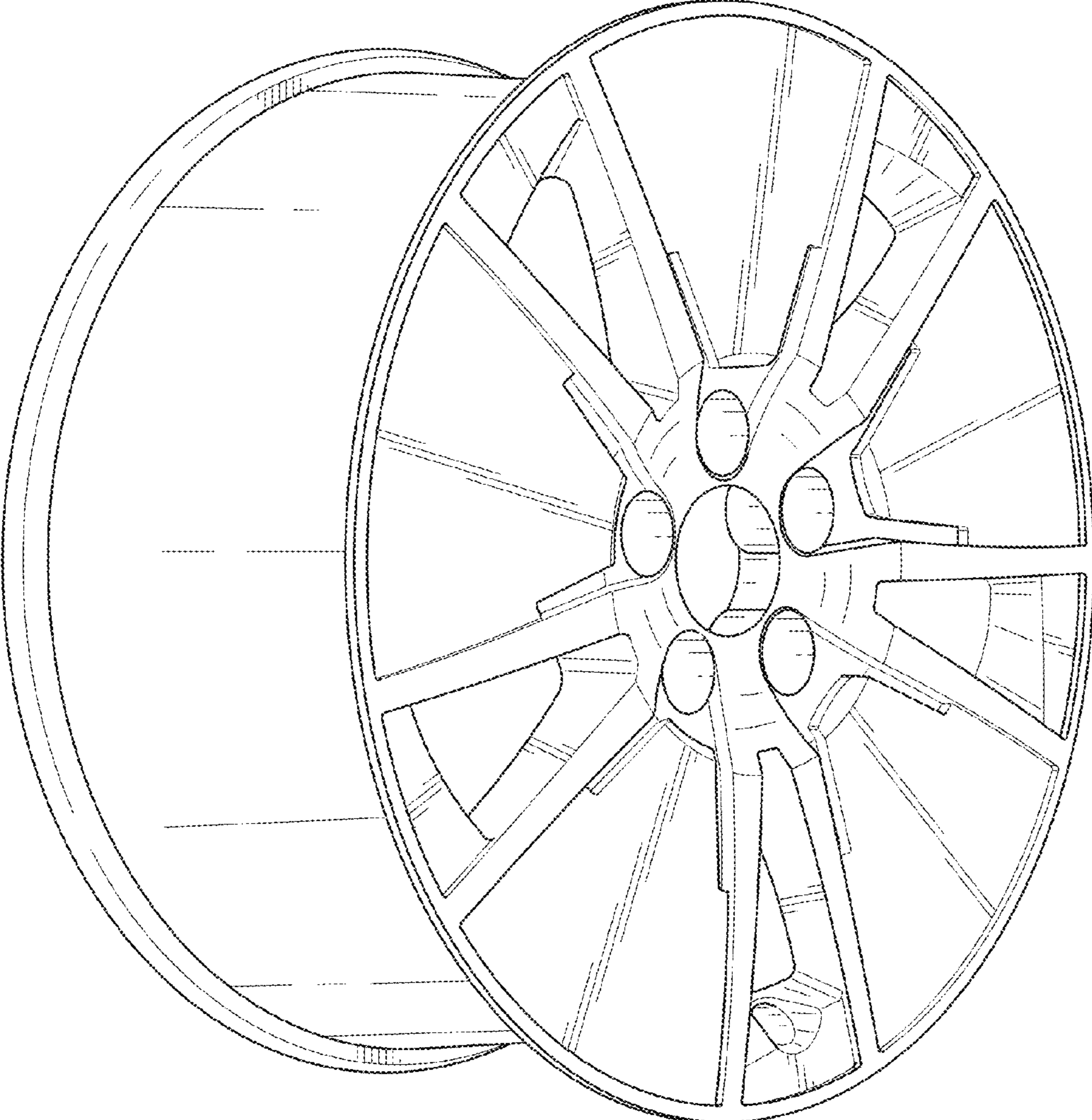


FIG. 2