



US00D755696S

(12) **United States Design Patent**  
**Lickliter**

(10) **Patent No.:** **US D755,696 S**

(45) **Date of Patent:** **\*\* May 10, 2016**

(54) **VEHICLE WHEEL AND CAP**

(71) Applicant: **Wheel Pros, LLC**, Greenwood Village, CO (US)

(72) Inventor: **Hans Lickliter**, Lake Hughes, CA (US)

(\*\*) Term: **15 Years**

(21) Appl. No.: **29/535,509**

(22) Filed: **Aug. 6, 2015**

(51) **LOC (10) Cl.** ..... **12-16**

(52) **U.S. Cl.**  
USPC ..... **D12/209**

(58) **Field of Classification Search**  
USPC ..... D12/204–213  
CPC ..... B60B 7/00; B60B 7/02; B60B 7/04;  
B60B 7/01; B60B 7/06; B60B 3/02; B60B  
3/04; B60B 3/06; B60B 3/10; B60B 1/00;  
B60B 1/08; B60B 1/10; B60B 1/12  
See application file for complete search history.

(56) **References Cited**

**U.S. PATENT DOCUMENTS**

D375,478 S	*	11/1996	Pfeiffer	.....	D12/209
D376,572 S	*	12/1996	Pfeiffer	.....	D12/209
D391,216 S	*	2/1998	Bollmann	.....	D12/209
D455,692 S	*	4/2002	Iguchi	.....	D12/209

D478,542 S	*	8/2003	Sulahian	.....	D12/209
D494,121 S	*	8/2004	Sulahian	.....	D12/209
D499,684 S	*	12/2004	Cheng	.....	D12/209
D513,218 S	*	12/2005	Fitzgerald	.....	D12/209
D536,292 S	*	2/2007	Sulahian	.....	D12/209
D542,205 S	*	5/2007	Echazabal	.....	D12/209
D575,716 S	*	8/2008	Chung	.....	D12/209
D590,316 S	*	4/2009	Hsiao	.....	D12/209
D709,426 S	*	7/2014	Kong	.....	D12/209
D711,304 S	*	8/2014	Chung	.....	D12/209
D726,620 S	*	4/2015	Lickliter	.....	D12/209
D726,622 S	*	4/2015	Vena	.....	D12/209

\* cited by examiner

*Primary Examiner* — Stacia Cadmus

(74) *Attorney, Agent, or Firm* — KC Bean, Esq.

(57) **CLAIM**

The ornamental design of vehicle wheel and cap, as shown and described.

**DESCRIPTION**

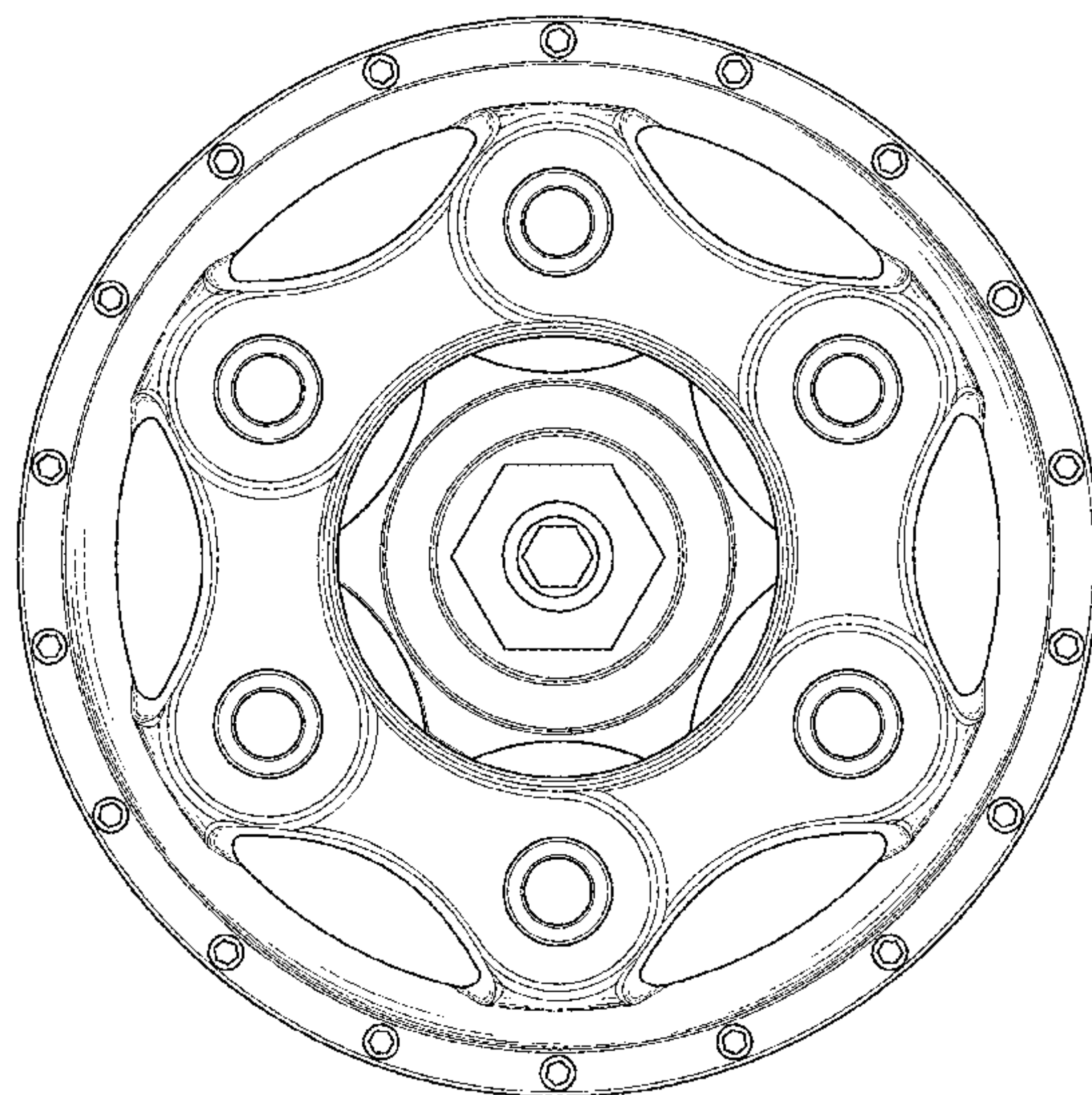
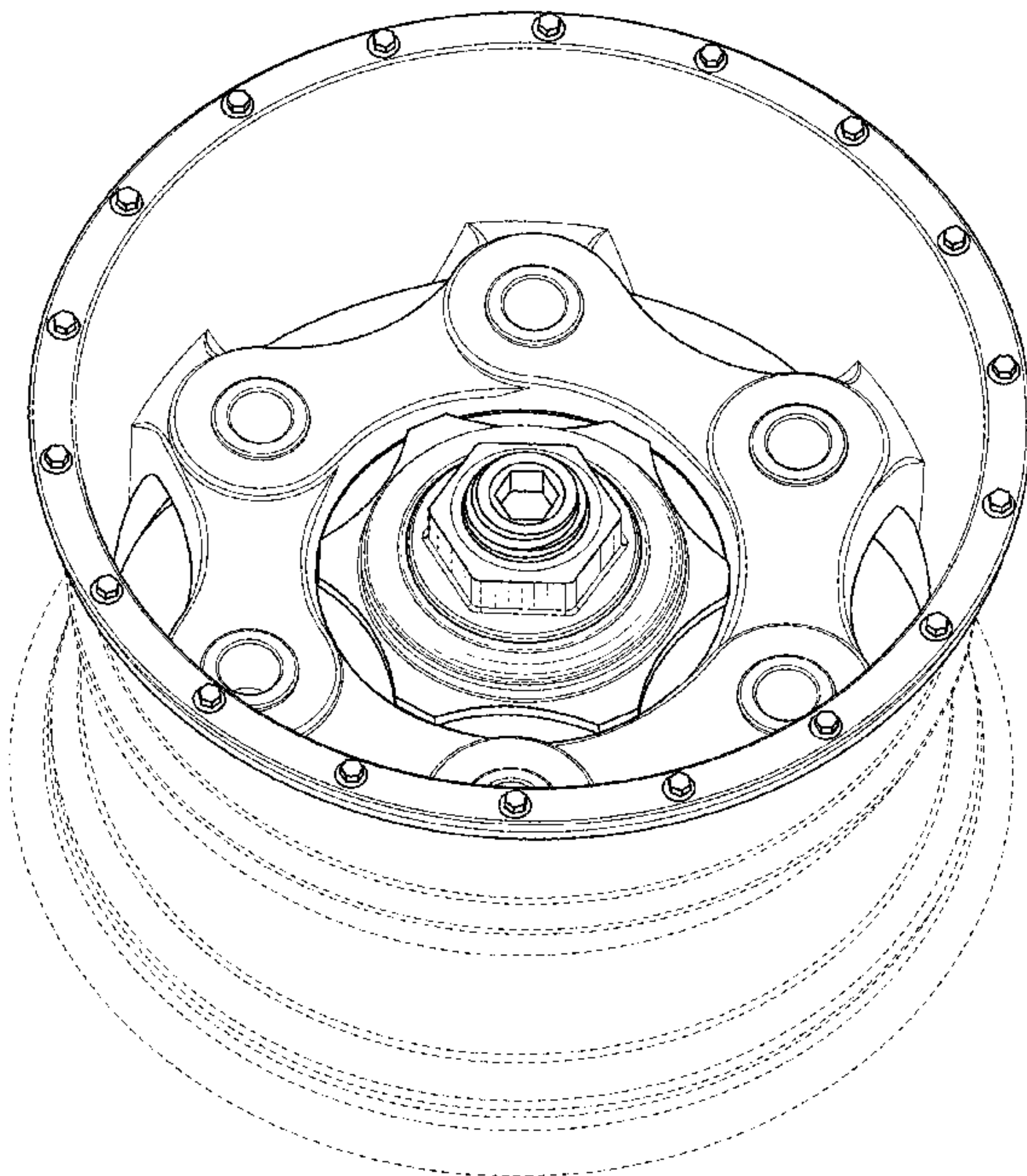
FIG. 1 is a perspective view of the vehicle wheel and cap showing the new design;

FIG. 2 is a top down view thereof; and,

FIG. 3 is a side view thereof.

The broken line showing of the rear portion of the rim is included for the purpose of illustrating environment and forms no part of the claimed design.

**1 Claim, 3 Drawing Sheets**



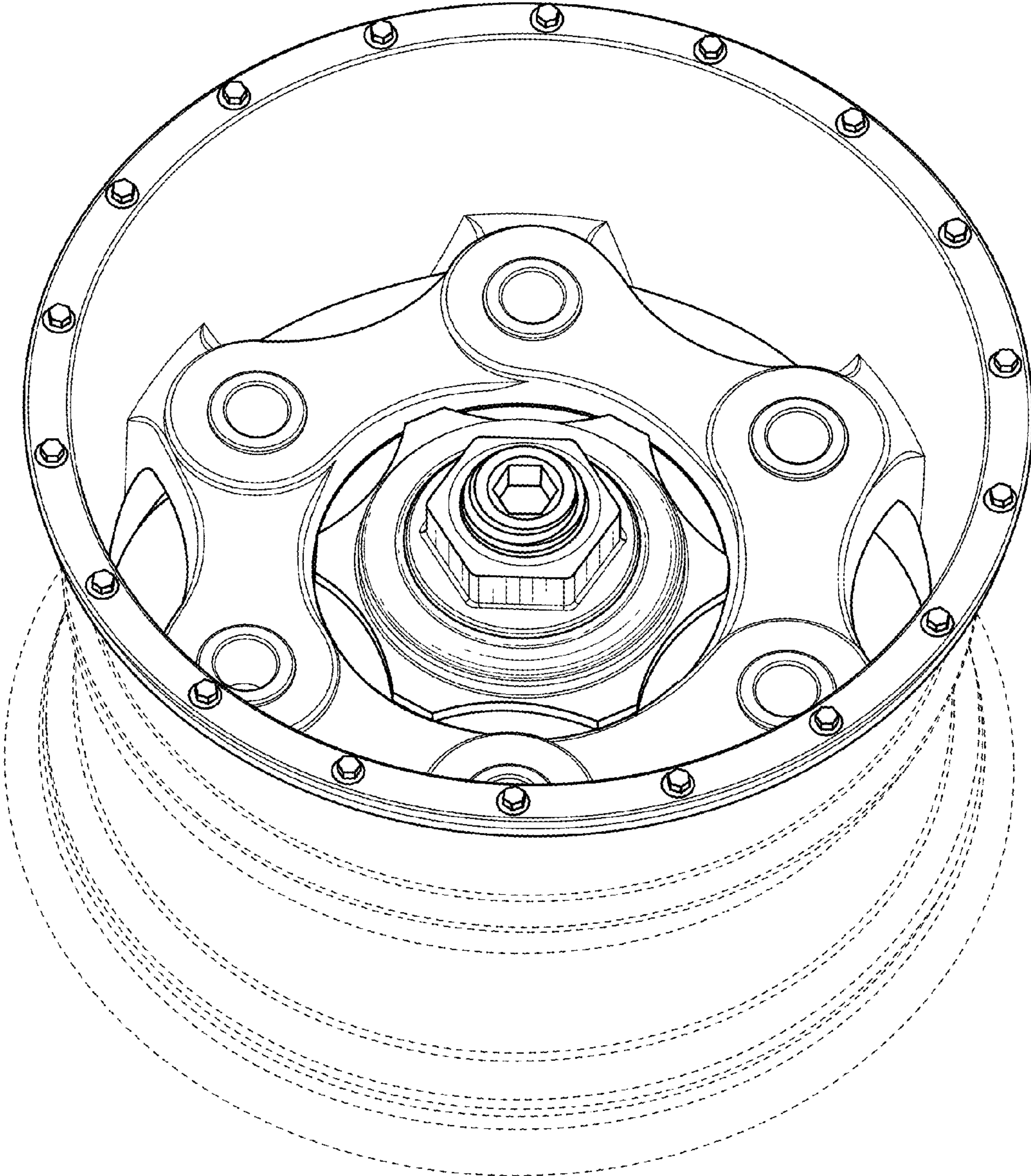


FIG. 1



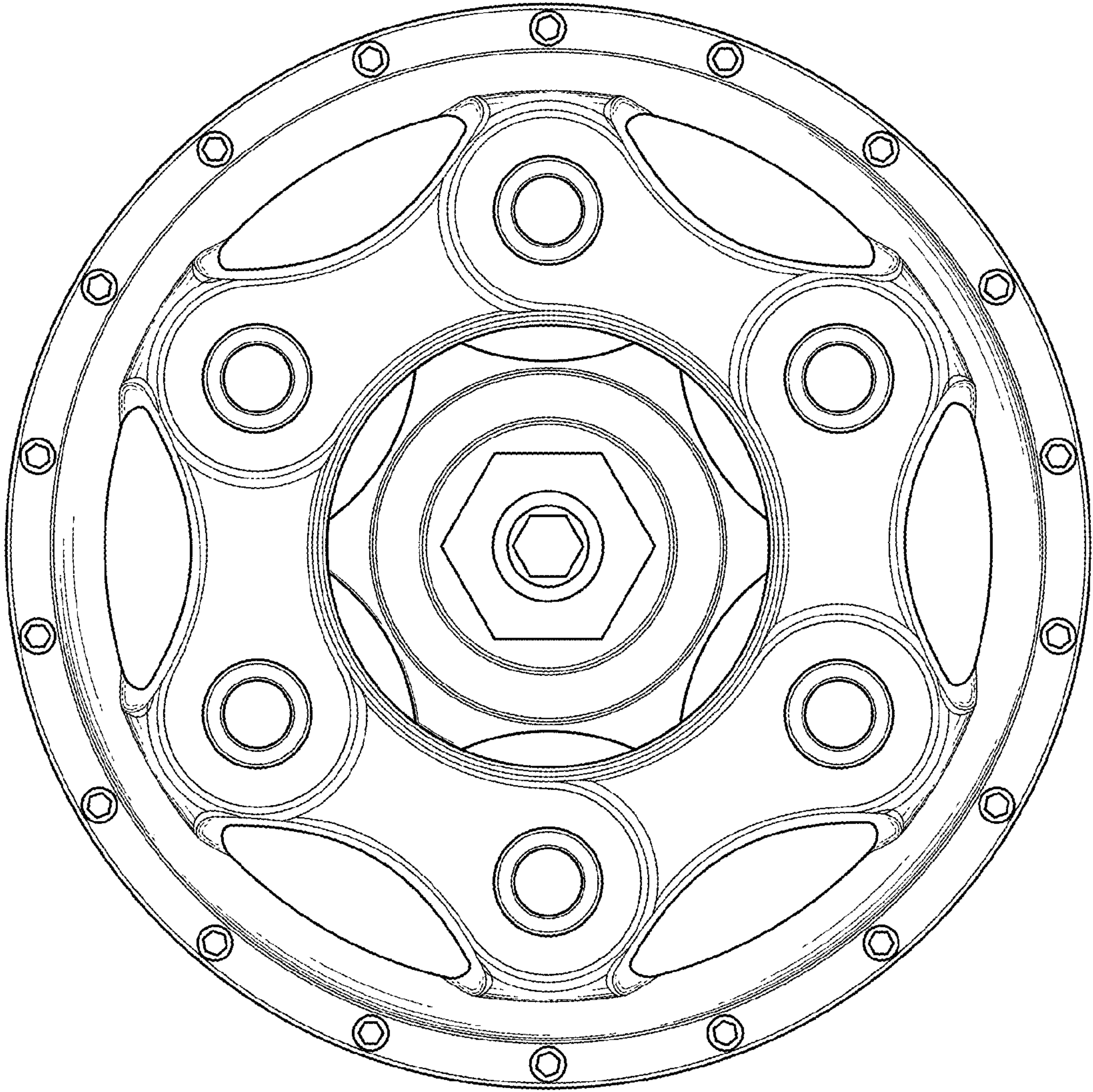


FIG. 2

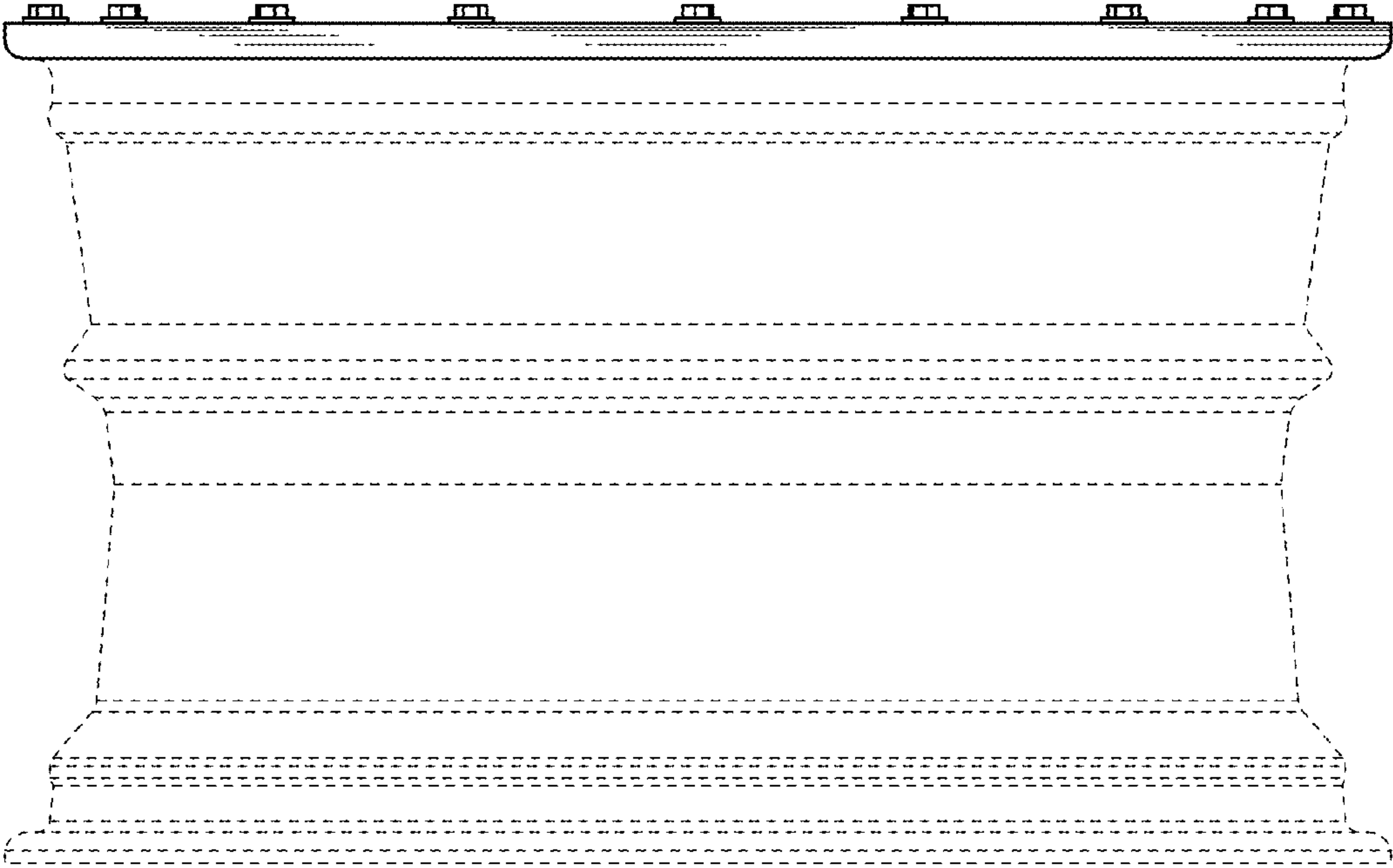


FIG. 3