



US00D755695S

(12) **United States Design Patent**
Lickliter

(10) **Patent No.:** **US D755,695 S**

(45) **Date of Patent:** **** May 10, 2016**

(54) **VEHICLE WHEEL**

(71) Applicant: **Wheel Pros, LLC**, Greenwood Village,
CO (US)

(72) Inventor: **Hans Lickliter**, Lake Hughes, CA (US)

(**) Term: **15 Years**

(21) Appl. No.: **29/535,508**

(22) Filed: **Aug. 6, 2015**

(51) **LOC (10) Cl.** **12-16**

(52) **U.S. Cl.**
USPC **D12/209**

(58) **Field of Classification Search**
USPC D12/204–213
CPC B60B 7/00; B60B 7/02; B60B 7/01;
B60B 7/06; B60B 3/02; B60B 3/04; B60B
3/06; B60B 3/10; B60B 1/00; B60B 1/08;
B60B 1/10; B60B 1/12

See application file for complete search history.

(56) **References Cited**

U.S. PATENT DOCUMENTS

D375,478 S * 11/1996 Pfeiffer D12/209
D376,572 S * 12/1996 Pfeiffer D12/209
D391,216 S * 2/1998 Bollmann D12/209
D455,692 S * 4/2002 Iguchi D12/209

D478,542 S * 8/2003 Sulahian D12/209
D494,121 S * 8/2004 Sulahian D12/209
D499,684 S * 12/2004 Cheng D12/209
D513,218 S * 12/2005 Fitzgerald D12/209
D536,292 S * 2/2007 Sulahian D12/209
D542,205 S * 5/2007 Echazabal D12/209
D575,716 S * 8/2008 Chung D12/209
D590,316 S * 4/2009 Hsiao D12/209
D709,426 S * 7/2014 Kong D12/209
D711,304 S * 8/2014 Chung D12/209
D726,620 S * 4/2015 Lickliter D12/209
D726,622 S * 4/2015 Vena D12/209

* cited by examiner

Primary Examiner — Stacia Cadmus

(74) *Attorney, Agent, or Firm* — KC Bean, Esq.

(57) **CLAIM**

The ornamental design of vehicle wheel, as shown and described.

DESCRIPTION

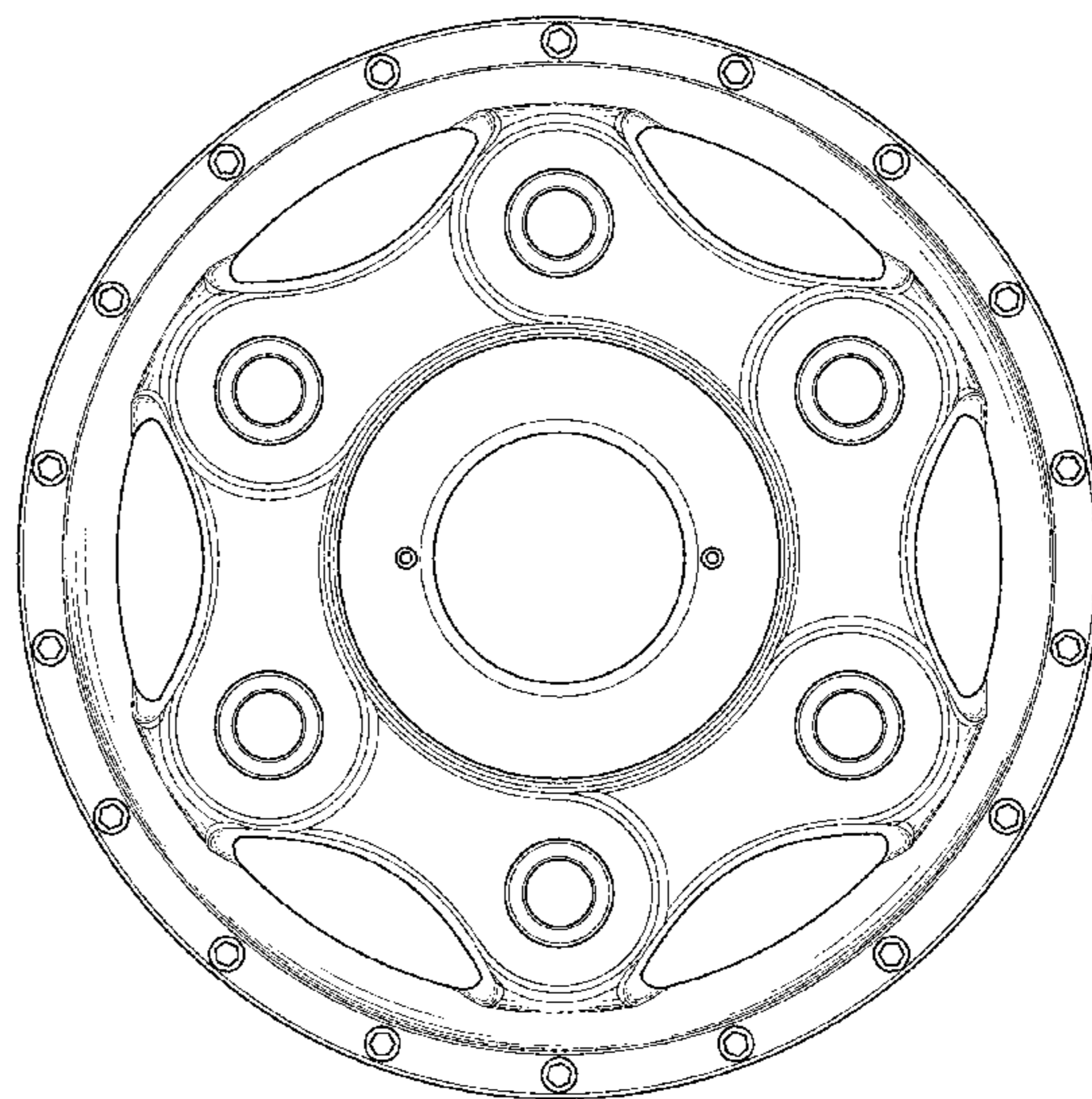
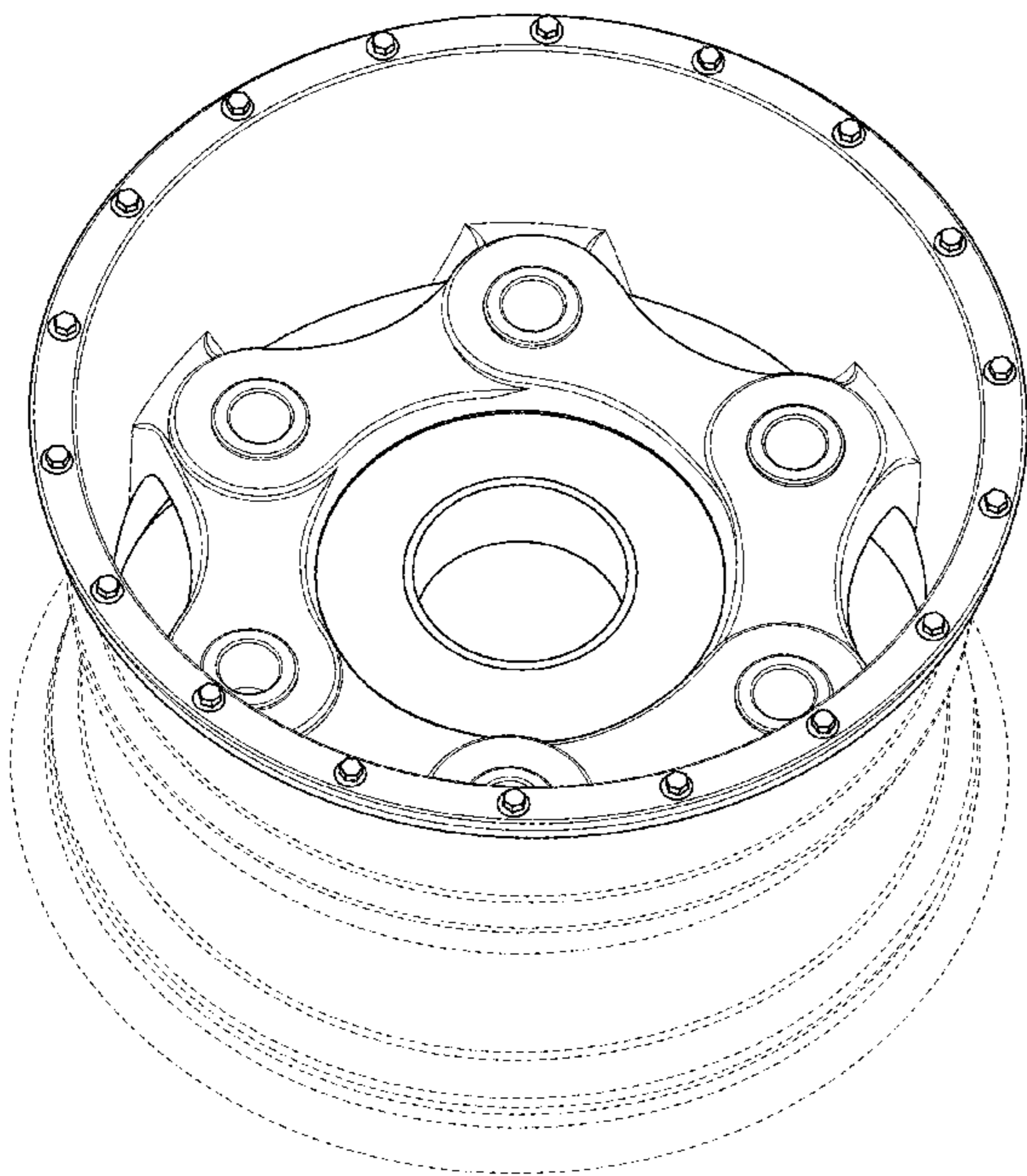
FIG. 1 is a perspective view of the vehicle wheel showing the new design;

FIG. 2 is a top down view thereof; and,

FIG. 3 is a side view thereof.

The broken line showing of the rear portion of the rim is included for the purpose of illustrating environment and forms no part of the claimed design.

1 Claim, 3 Drawing Sheets



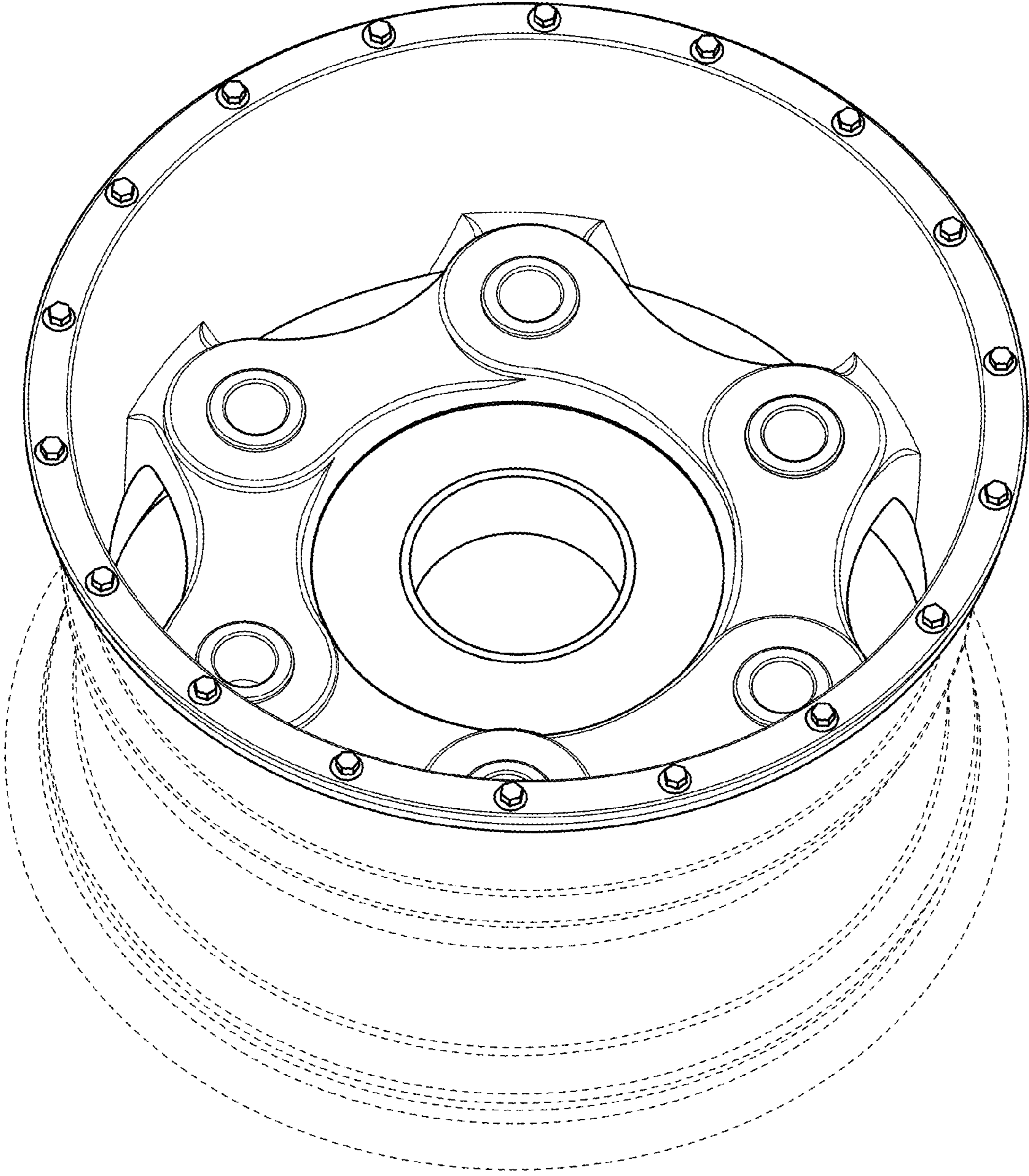


FIG. 1

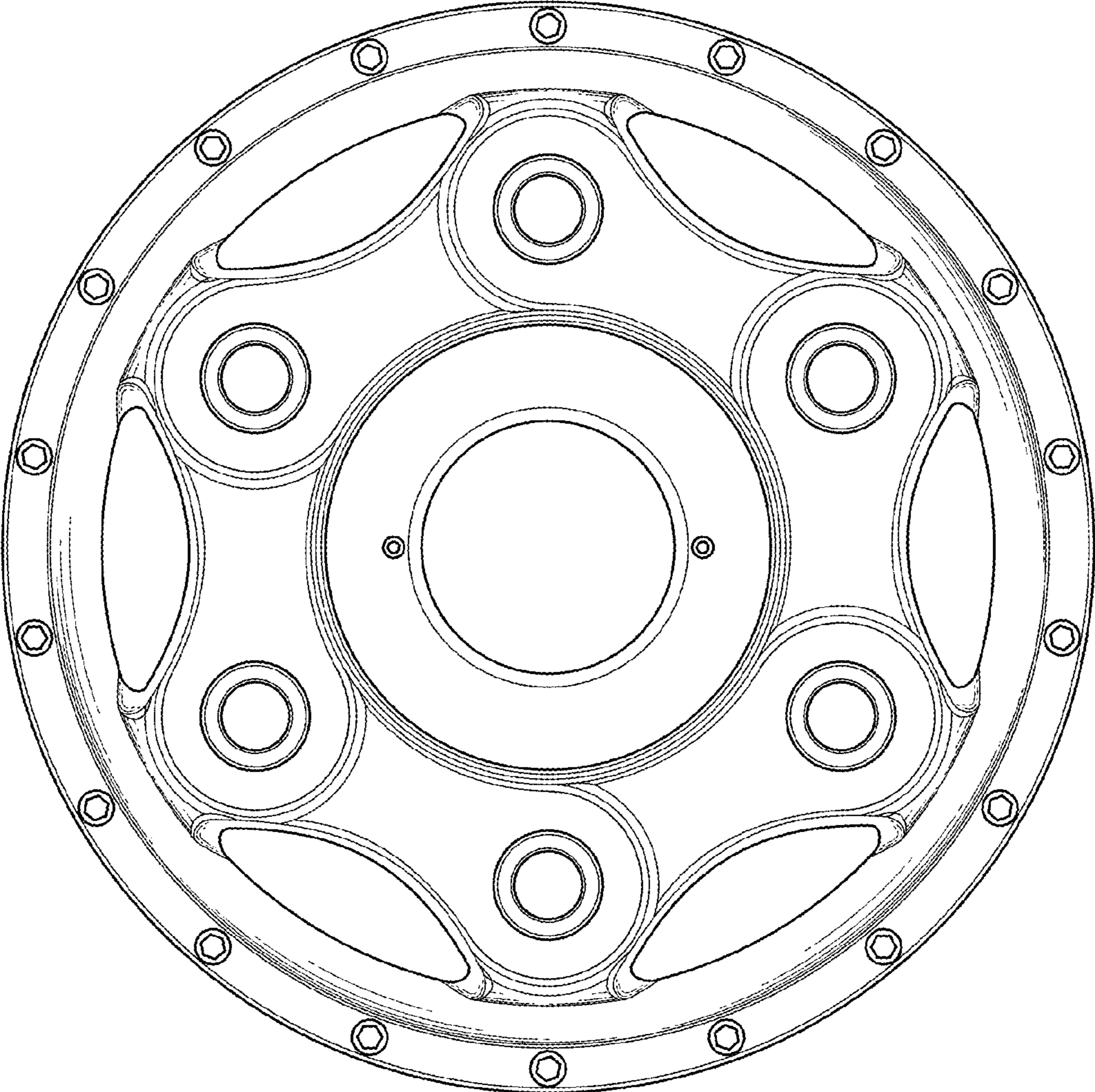


FIG. 2

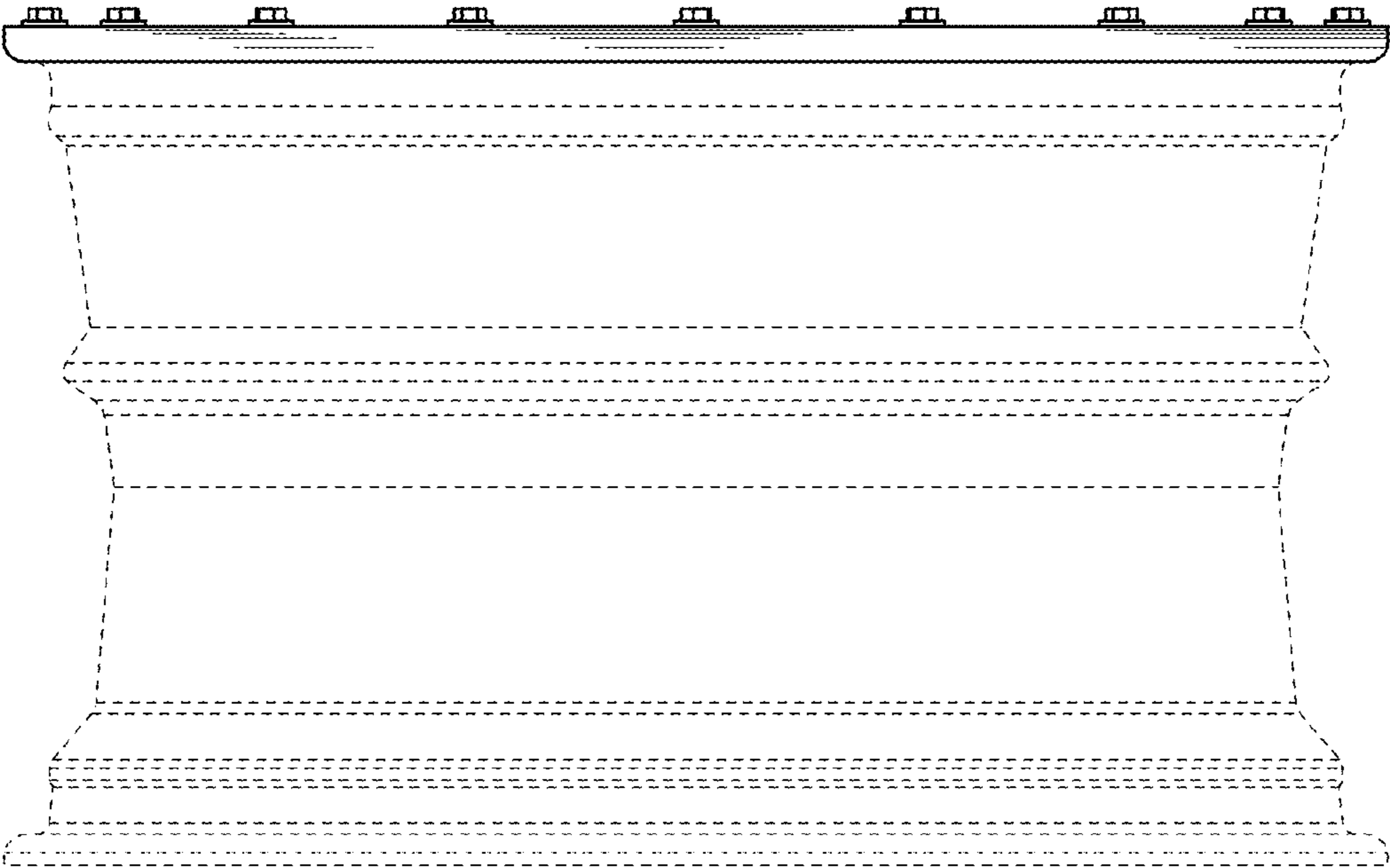


FIG. 3