

US00D755693S

(12) **United States Design Patent**
Lee

(10) **Patent No.:** **US D755,693 S**
(45) **Date of Patent:** **** May 10, 2016**

(54) **AUTOMOTIVE WHEEL**

(71) Applicant: **Kevin Lee**, Yorba Linda, CA (US)

(72) Inventor: **Kevin Lee**, Yorba Linda, CA (US)

(73) Assignee: **Kevin Lee**, Yorba Linda, CA (US)

(**) Term: **14 Years**

(21) Appl. No.: **29/515,748**

(22) Filed: **Jan. 26, 2015**

(51) **LOC (10) Cl.** **12-16**

(52) **U.S. Cl.**

USPC **D12/209**

(58) **Field of Classification Search**

USPC D12/204–213

CPC B60B 7/00; B60B 7/02; B60B 7/04;
B60B 7/01; B60B 7/06; B60B 3/02; B60B
3/04; B60B 3/06; B60B 3/10; B60B 1/00;
B60B 1/08; B60B 1/10; B60B 1/12

See application file for complete search history.

(56) **References Cited**

U.S. PATENT DOCUMENTS

D245,599 S * 8/1977 DE Vries D12/211
D432,484 S * 10/2000 Chung D12/211

D480,036 S * 9/2003 Laengerer D12/211
D483,714 S * 12/2003 Warming D12/211
D484,085 S * 12/2003 Tirado D12/211
D486,111 S * 2/2004 Weidhase D12/211
D487,717 S * 3/2004 Lenz D12/211
D501,817 S * 2/2005 Pfeiffer D12/211
D517,970 S * 3/2006 Pollmann D12/209
D570,762 S * 6/2008 Scheu D12/211
D592,119 S * 5/2009 Heizmann D12/211
D603,318 S * 11/2009 Luciani D12/209
D644,976 S * 9/2011 Nissl D12/209
D706,197 S * 6/2014 Chung D12/211
D714,707 S * 10/2014 Chung D12/211
D715,211 S * 10/2014 Gotschke D12/204
D731,946 S * 6/2015 Chung D12/211

* cited by examiner

Primary Examiner — Stacia Cadmus

(74) *Attorney, Agent, or Firm* — Kevin Lee; MKW Alloy Inc

(57) **CLAIM**

The ornamental design for an automotive wheel, as shown and described.

DESCRIPTION

FIG. 1 is a front elevation view of the automotive wheel of the instant invention; and,

FIG. 2 is a perspective view of the automotive wheel of the instant invention.

1 Claim, 2 Drawing Sheets

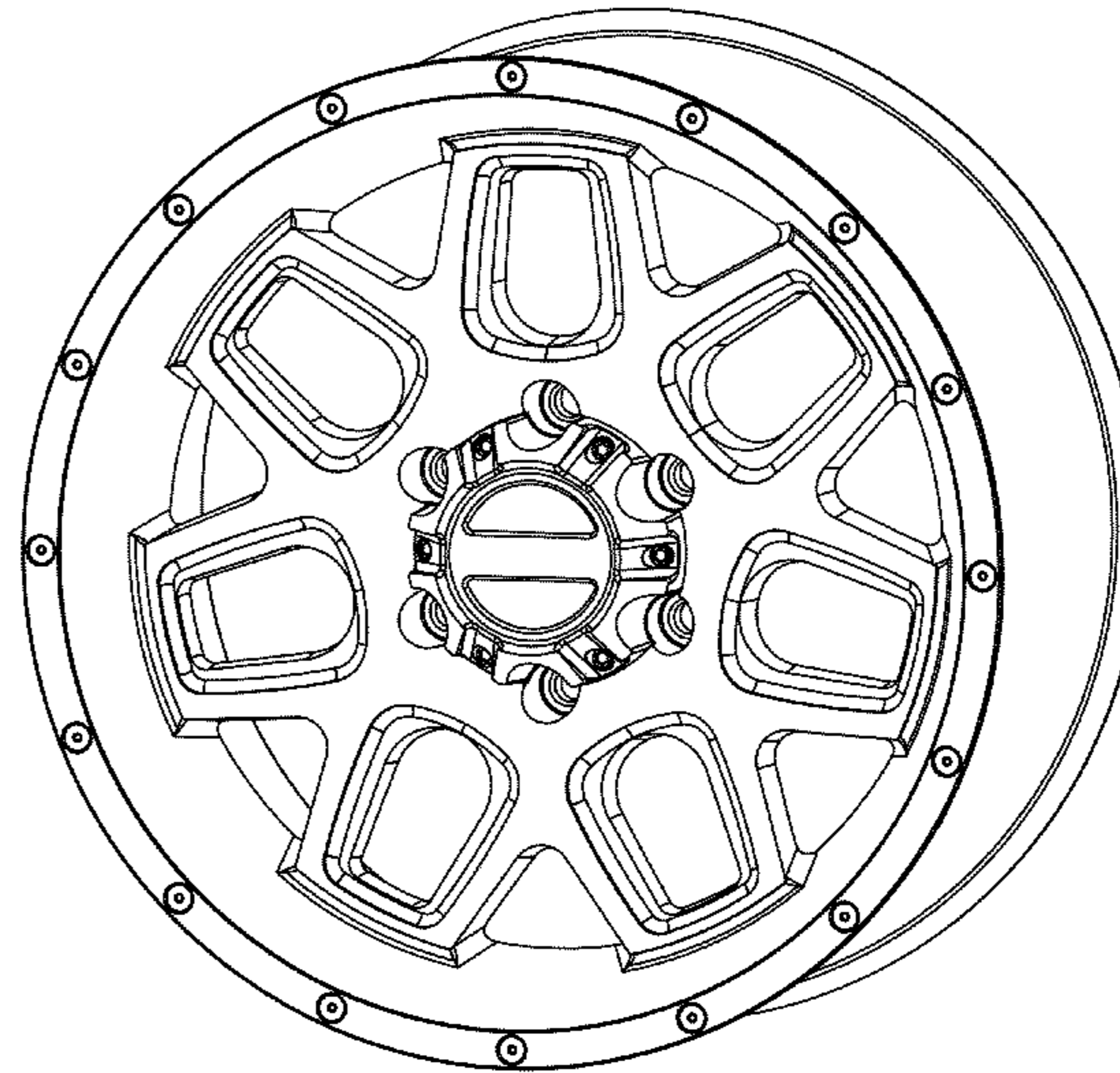
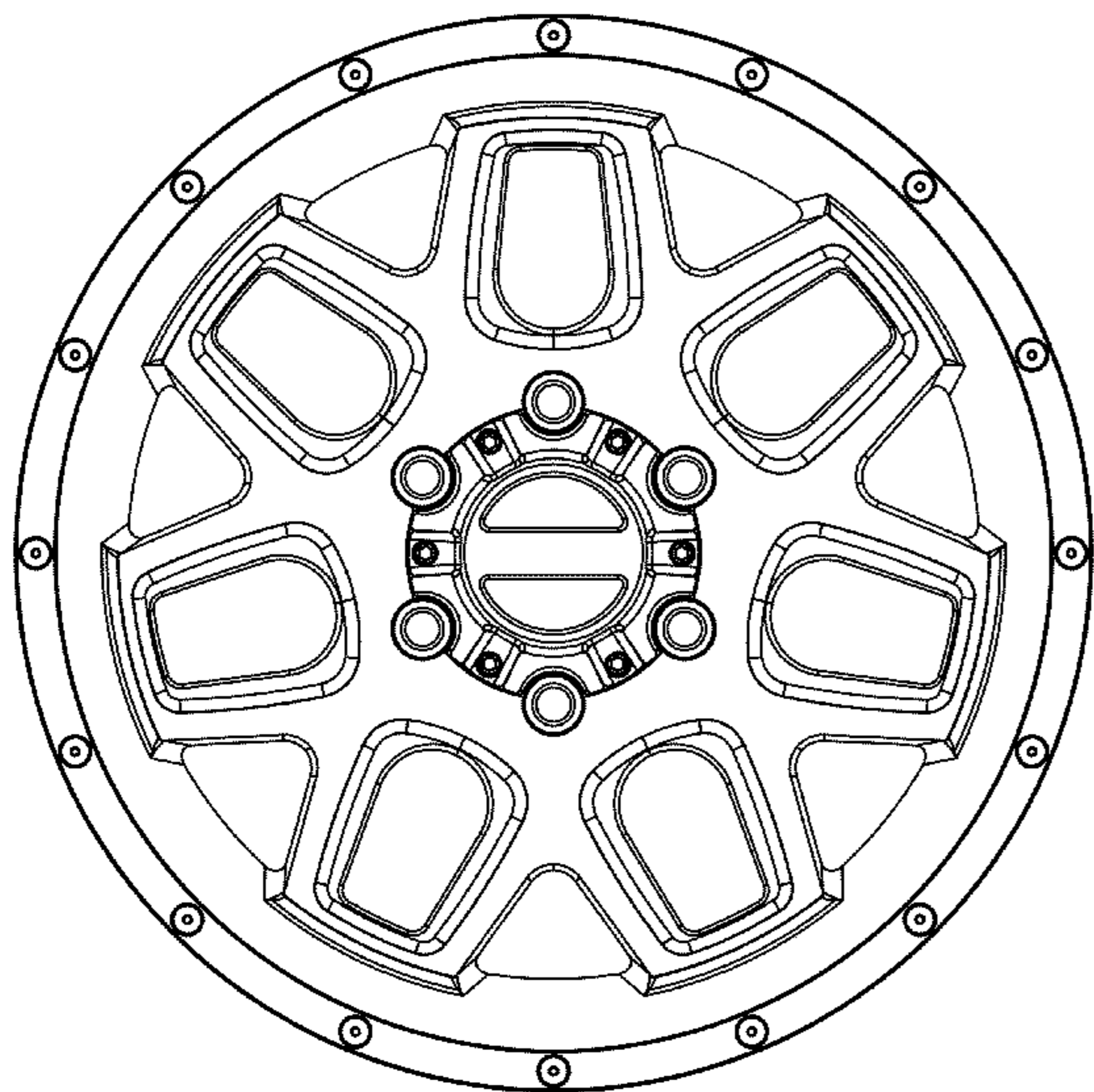


figure 1

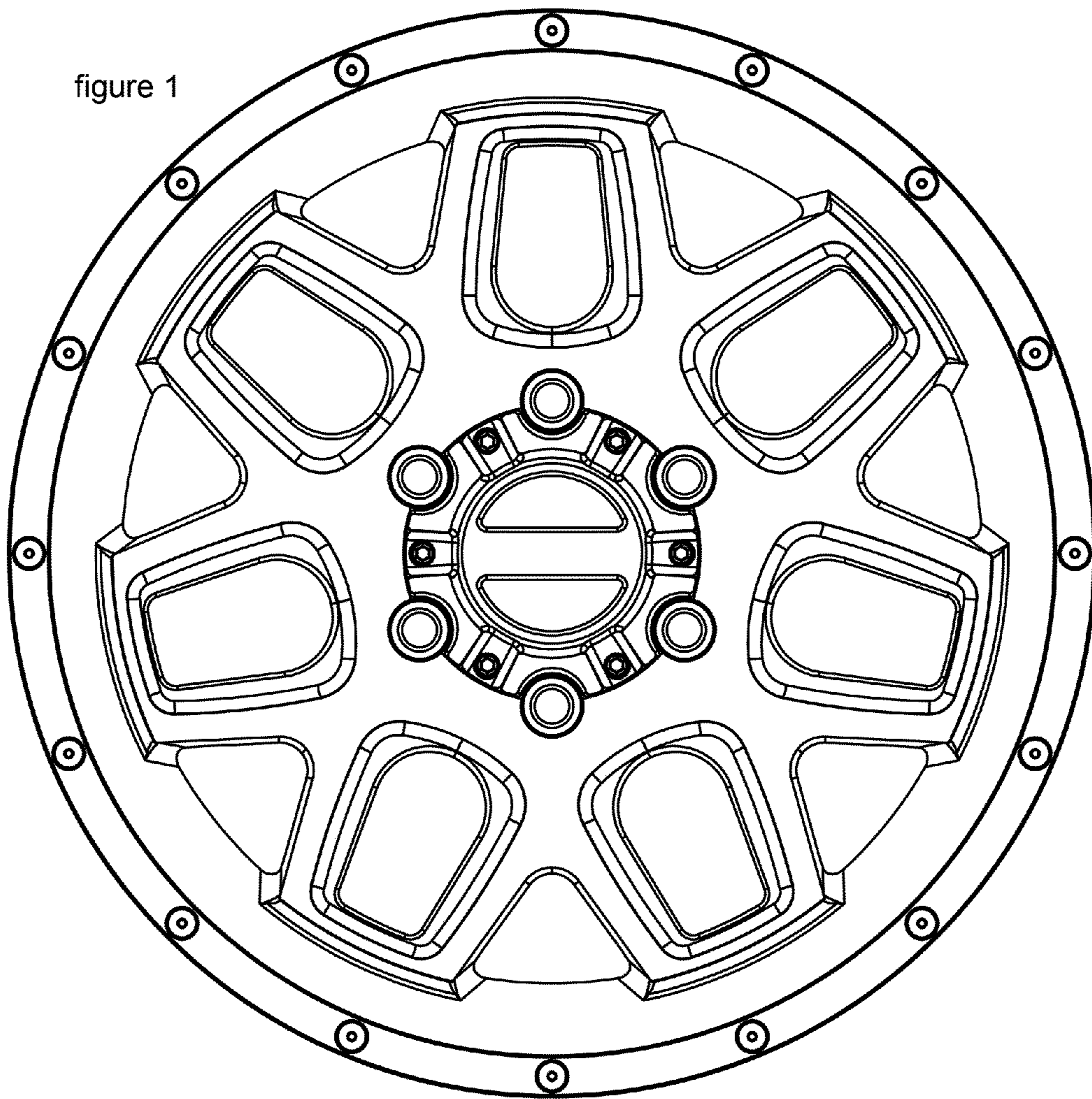


figure 2

