

US00D755692S

(12) **United States Design Patent**
Nakahara

(10) **Patent No.:** **US D755,692 S**
(45) **Date of Patent:** **** May 10, 2016**

(54) **WHEEL FOR AUTOMOBILES**

(71) Applicant: **HONDA MOTOR CO., LTD.**, Tokyo
(JP)

(72) Inventor: **Jun Nakahara**, Wako (JP)

(73) Assignee: **HONDA MOTOR CO., LTD.**, Tokyo
(JP)

(**) Term: **14 Years**

(21) Appl. No.: **29/511,756**

(22) Filed: **Dec. 12, 2014**

(30) **Foreign Application Priority Data**

Jun. 13, 2014 (JP) 2014-012794

(51) **LOC (10) Cl.** **12-16**

(52) **U.S. Cl.**
USPC **D12/209**

(58) **Field of Classification Search**

USPC D12/204–213
CPC B60B 7/00; B60B 7/02; B60B 7/04;
B60B 7/01; B60B 7/06; B60B 3/02; B60B
3/04; B60B 3/06; B60B 3/10; B60B 1/00;
B60B 1/08; B60B 1/10; B60B 1/12

See application file for complete search history.

(56) **References Cited**

U.S. PATENT DOCUMENTS

D408,002 S * 4/1999 Hale, Jr. D12/209

D430,842 S *	9/2000	Chinellato	D12/209
D622,649 S *	8/2010	Weil	D12/209
D678,157 S *	3/2013	Perini	D12/209
D685,709 S *	7/2013	Hanaoka	D12/209
D695,668 S *	12/2013	Juergens	D12/209
D697,467 S *	1/2014	Pollmann	D12/209
D710,286 S *	8/2014	Yamaguchi	D12/209
D710,287 S *	8/2014	Ishii	D12/209
D712,331 S *	9/2014	Breyton	D12/209
D725,568 S *	3/2015	Hodges	D12/209
D726,086 S *	4/2015	Muntada Roura	D12/209

* cited by examiner

Primary Examiner — Stacia Cadmus

(74) *Attorney, Agent, or Firm* — Westerman, Hattori,
Daniels & Adrian, LLP

(57) **CLAIM**

The ornamental design for a wheel for automobiles, as shown and described.

DESCRIPTION

FIG. 1 is a front view of a wheel for automobiles showing my new design; and,

FIG. 2 is a front perspective view of a wheel for automobiles as seen from the right side.

The broken line showing of the valve stem hole, the bolt holes and the rear portion of the rim is included for the purpose of illustrating environment and forms no part of the claimed design.

1 Claim, 2 Drawing Sheets

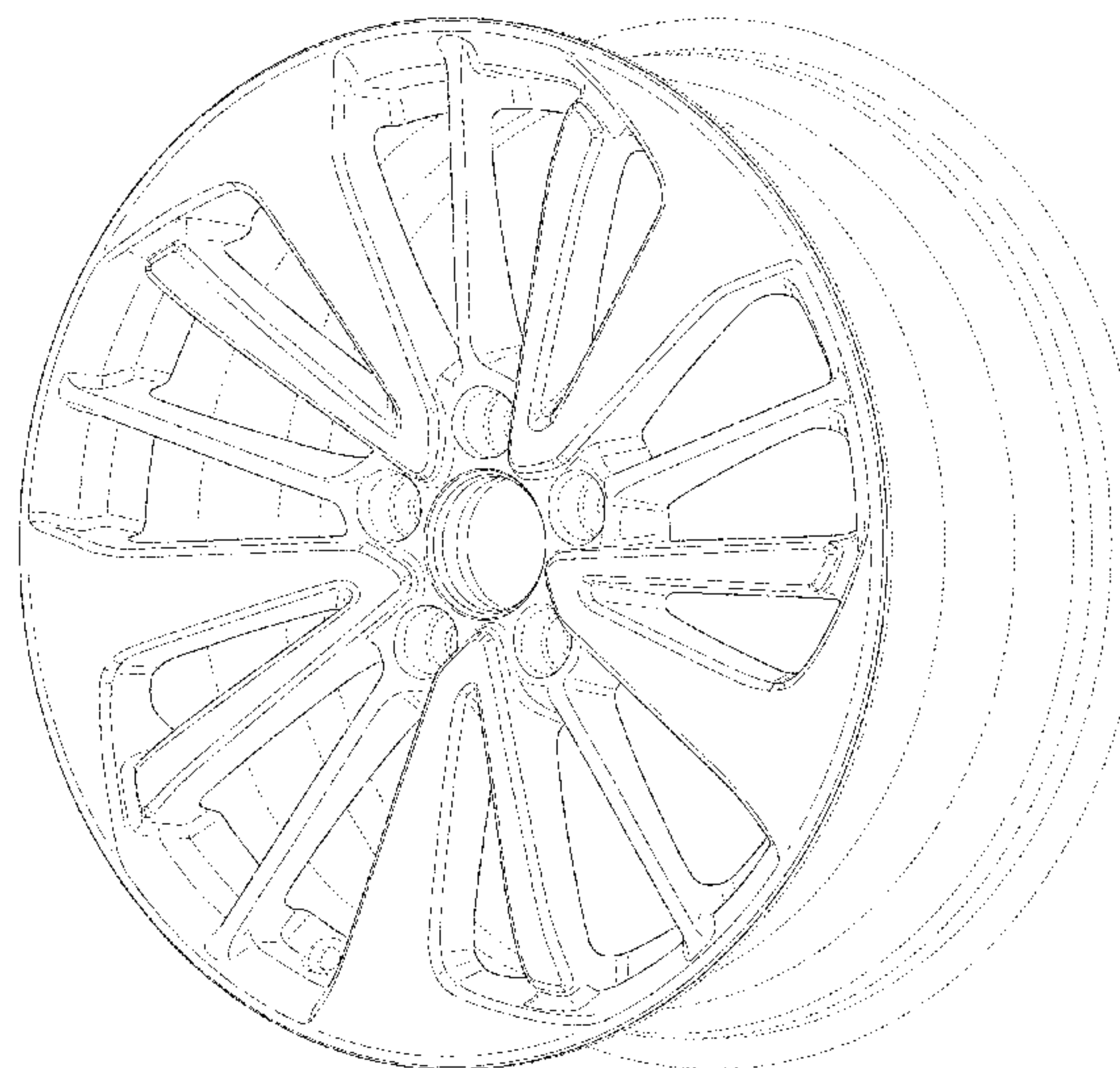
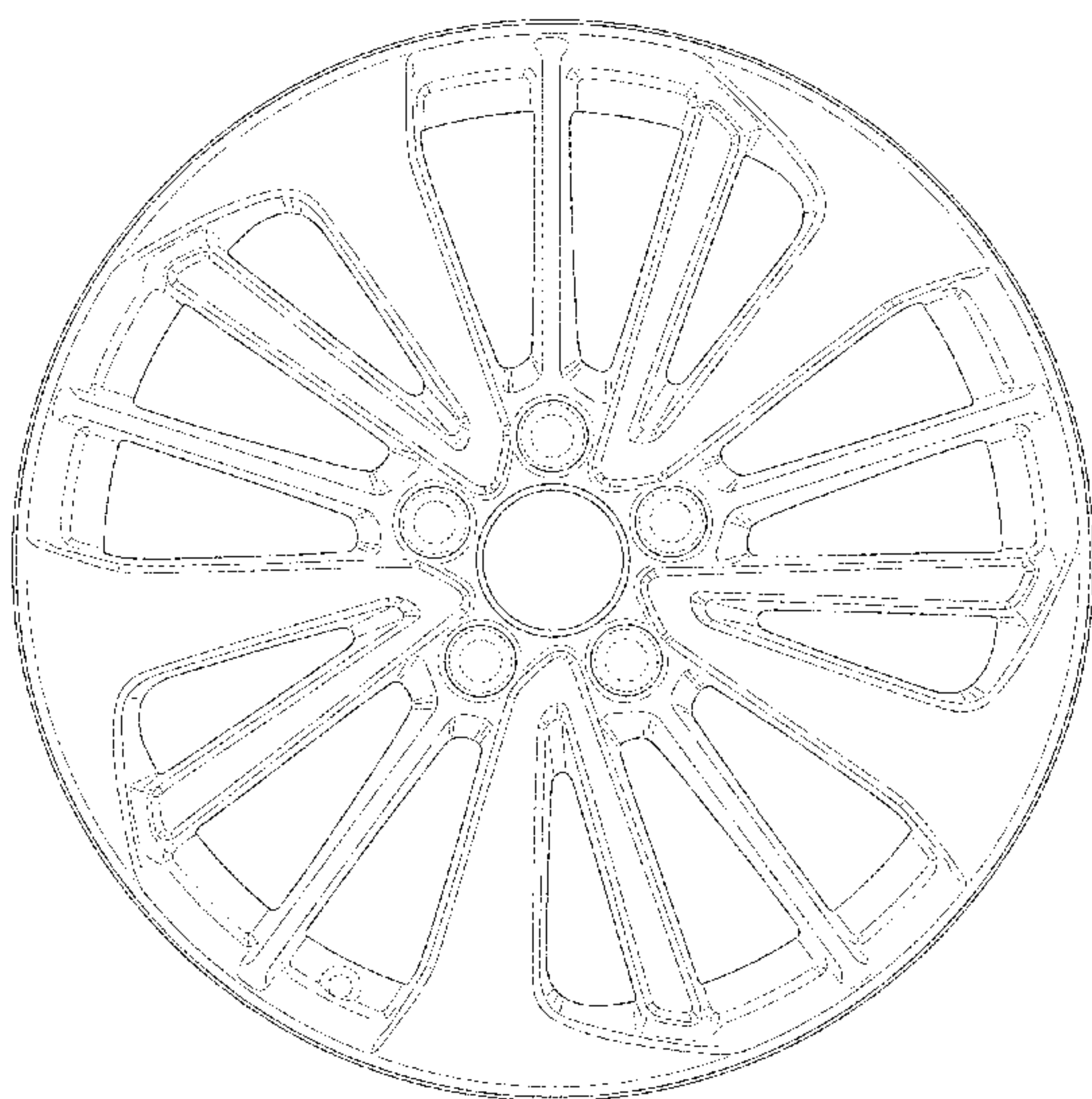


FIG.1

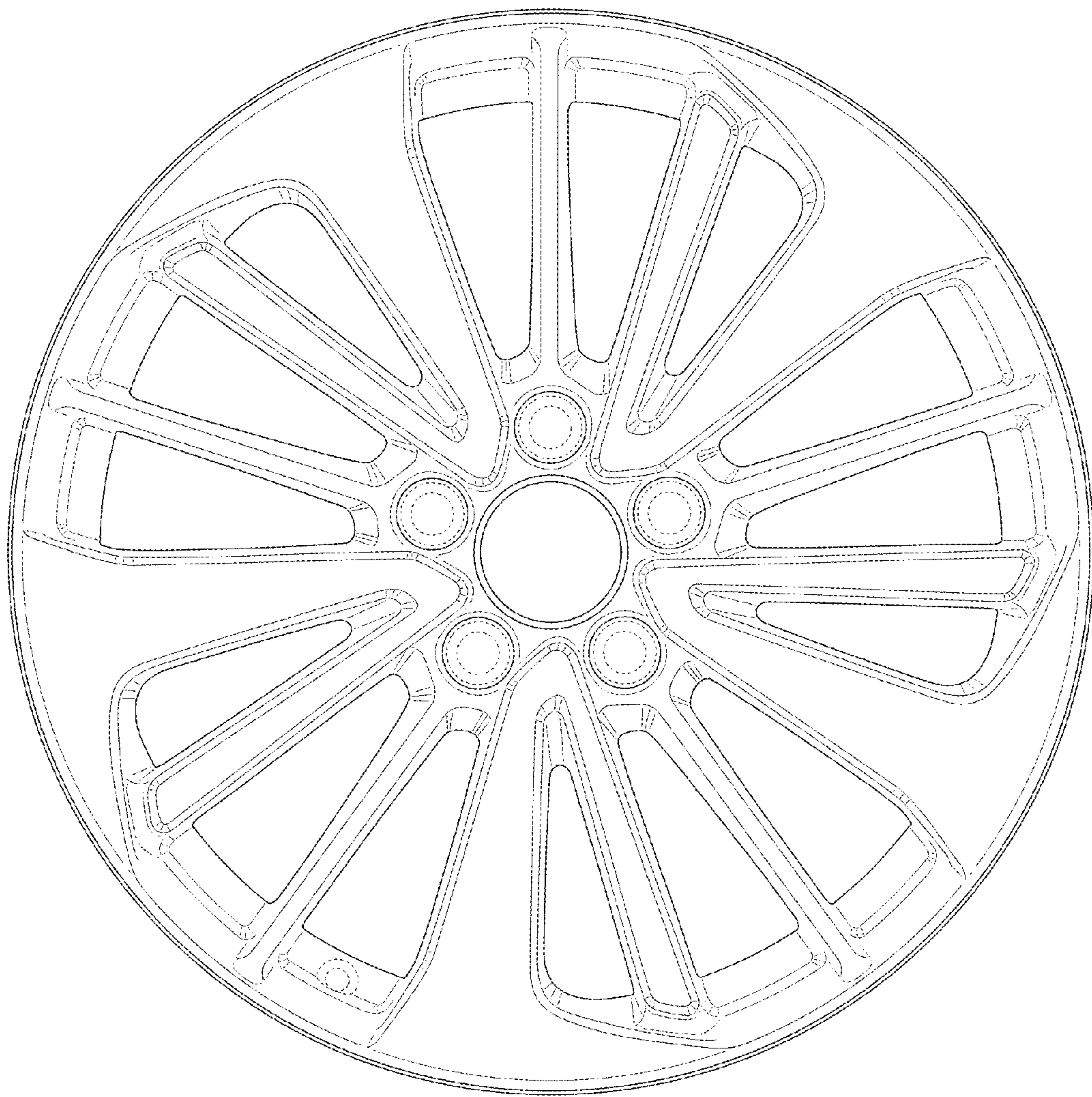


FIG.2

