

US00D755689S

(12) **United States Design Patent**
Suesse

(10) **Patent No.:** **US D755,689 S**

(45) **Date of Patent:** **** May 10, 2016**

(54) **REARVIEW MIRROR**

(71) Applicant: **Ned Andrew Suesse**, Colorado Springs,
CO (US)

(72) Inventor: **Ned Andrew Suesse**, Colorado Springs,
CO (US)

(**) Term: **15 Years**

(21) Appl. No.: **29/528,036**

(22) Filed: **May 26, 2015**

(51) **LOC (10) Cl.** **12-16**

(52) **U.S. Cl.**
USPC **D12/187**

(58) **Field of Classification Search**
USPC D12/187, 199, 189; D6/300, 309
CPC B60R 1/076; G02B 7/18; G02B 7/182;
G02B 5/08

See application file for complete search history.

(56) **References Cited**

U.S. PATENT DOCUMENTS

4,630,904 A *	12/1986	Pastore	B60R 1/12 359/636
D346,356 S *	4/1994	Leu	D12/187
D471,847 S *	3/2003	Rumsey	D12/187
6,902,284 B2 *	6/2005	Hutzel	B60Q 3/023 248/479
D556,105 S *	11/2007	Carter	D12/187
D659,617 S *	5/2012	Brockington	D12/187
D746,744 S *	1/2016	Sloterbeek	D12/187
2014/0192431 A1 *	7/2014	Sloterbeek	B60R 1/12 359/871

* cited by examiner

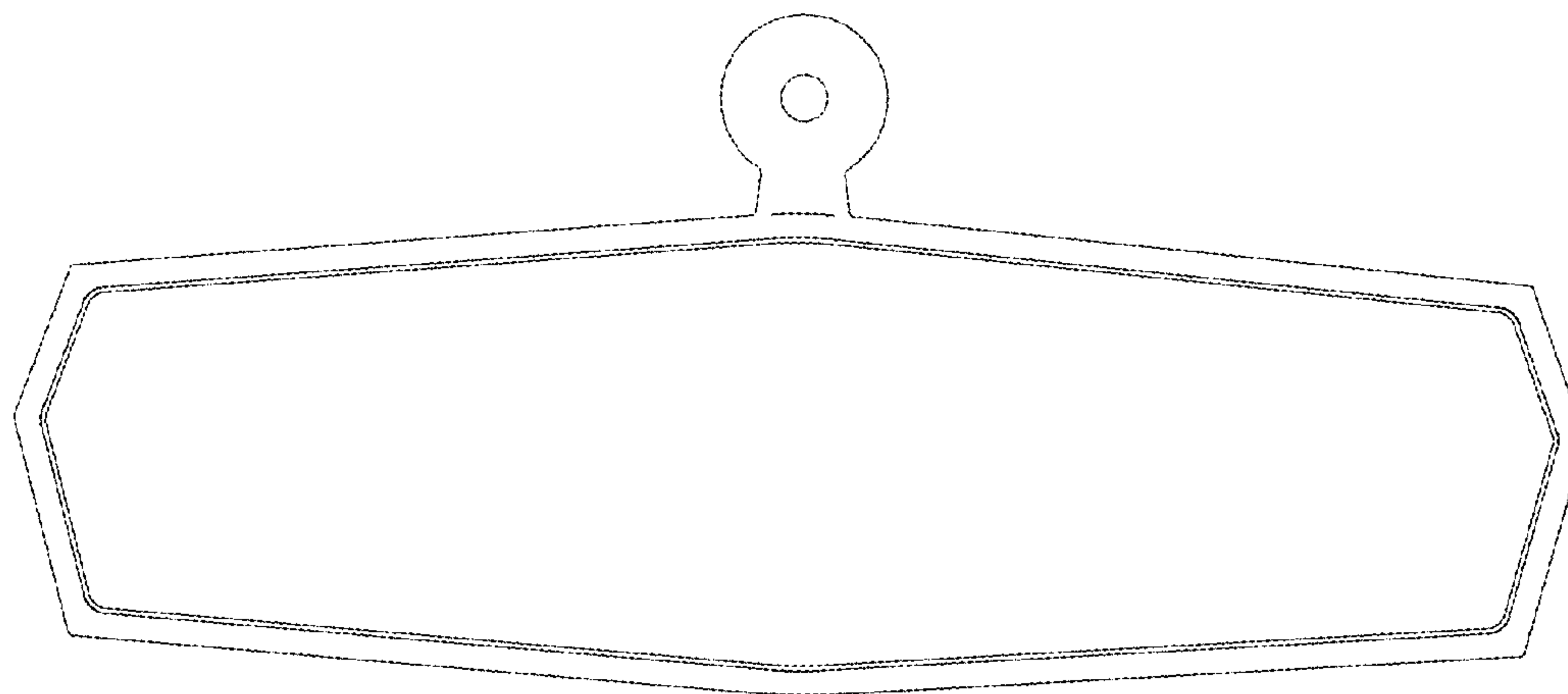
Primary Examiner — Katrina A Betton

(57) **CLAIM**
The ornamental design for a rearview mirror, as shown.

DESCRIPTION

FIG. 1 is a front view of a rearview mirror in accordance with an embodiment;
FIG. 2 is a back view of the rearview mirror of FIG. 1;
FIG. 3 is a side view of the rearview mirror of FIG. 1; and,
FIG. 4 is an angled front view of the rearview mirror of FIG. 1.

1 Claim, 4 Drawing Sheets



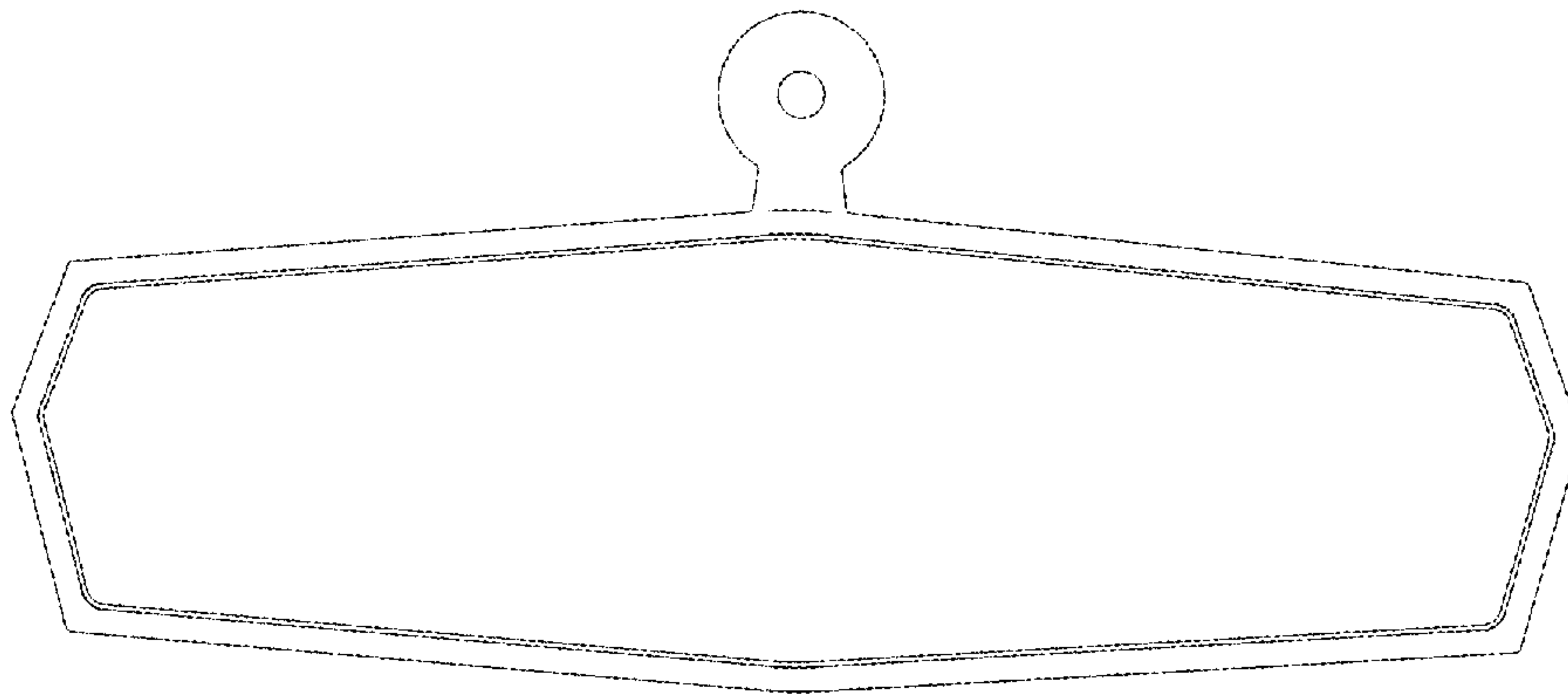


Figure 1

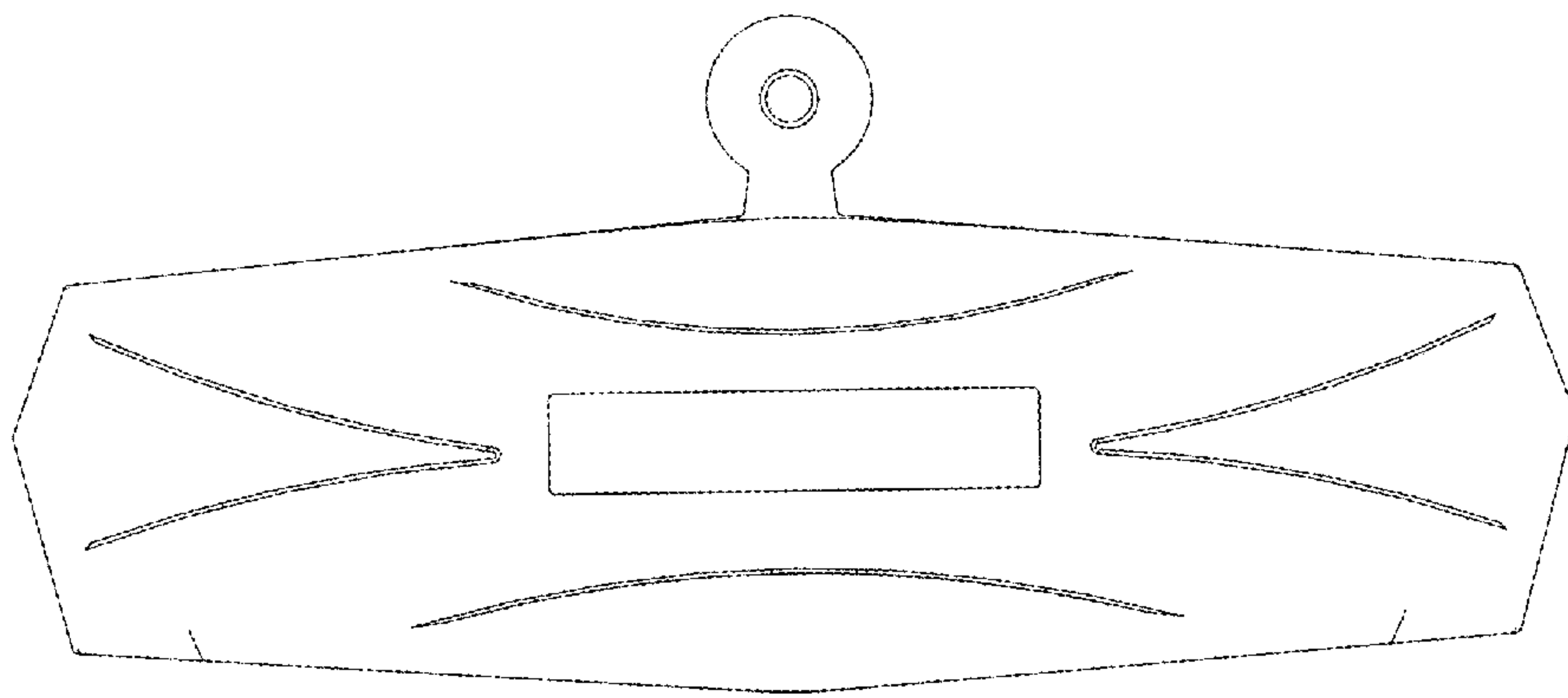


Figure 2



Figure 3

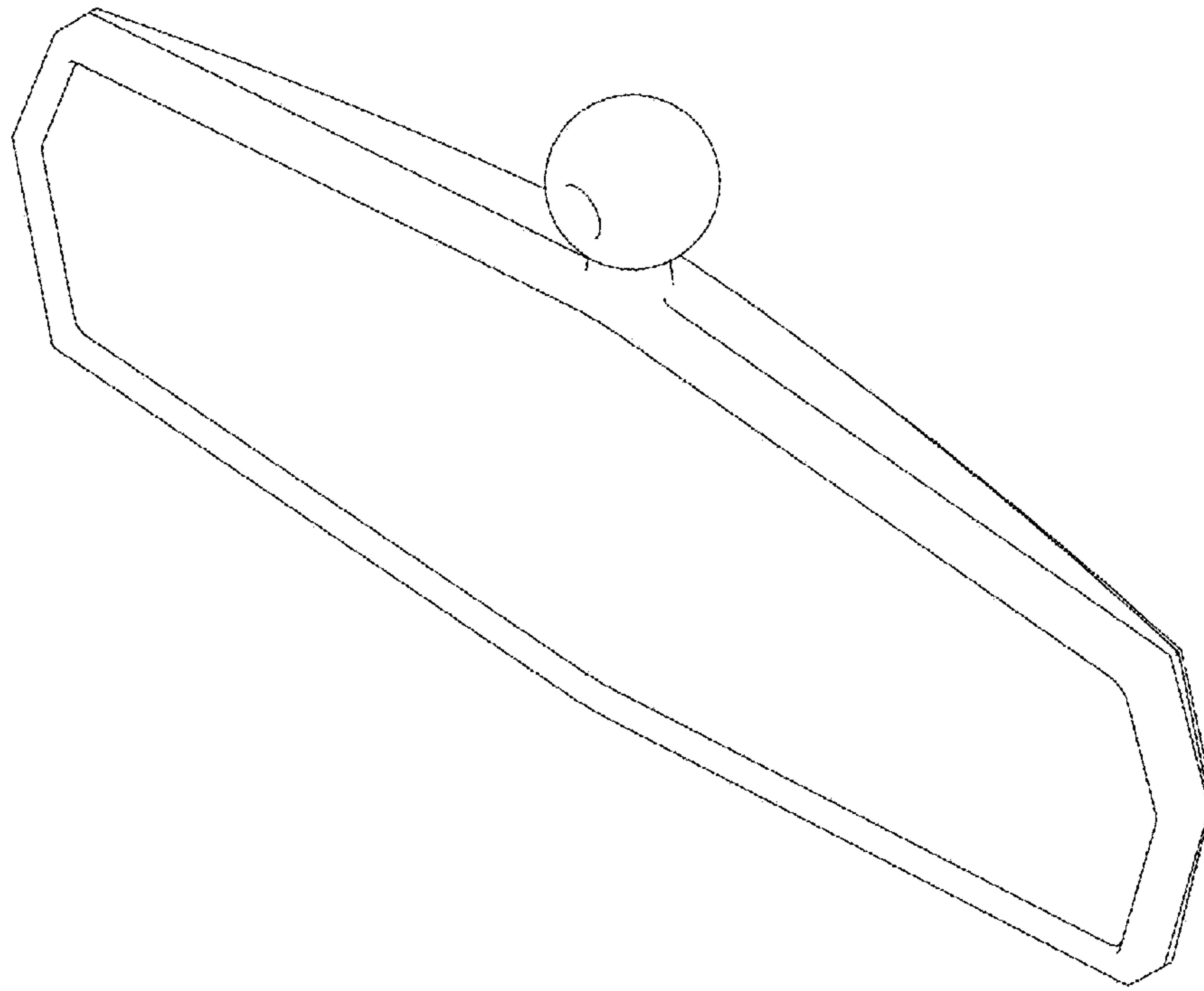


Figure 4