



US00D755687S

(12) **United States Design Patent**
Conner et al.

(10) **Patent No.:** **US D755,687 S**
(45) **Date of Patent:** **** May 10, 2016**

(54) **STEERING KNUCKLE FOR A DRIVING APPARATUS**

(71) Applicants: **Hitachi Metals America, Ltd.**, Novi, MI (US); **Hitachi Metals, Ltd.**, Tokyo (JP)

(72) Inventors: **Aaron Conner**, Novi, MI (US); **Rick Bowen**, Novi, MI (US); **Ronald Walker**, Novi, MI (US)

(73) Assignees: **HITACHI METALS AMERICA, LTD.**, Novi, MI (US); **HITACHI METALS, LTD.**, Tokyo (JP)

(**) Term: **14 Years**

(21) Appl. No.: **29/503,927**

(22) Filed: **Sep. 30, 2014**

(51) **LOC (10) Cl.** **12-16**

(52) **U.S. Cl.**
USPC **D12/159**

(58) **Field of Classification Search**
USPC D12/159
CPC F16C 11/0671; F16C 11/00; F16C 11/06; F16C 2326/24; F16F 9/3242; F16F 9/0218; F16F 9/0227; F16F 9/3221; F16F 9/3235; Y10T 16/62; Y10T 16/281
See application file for complete search history.

(56) **References Cited**

U.S. PATENT DOCUMENTS
3,749,415 A * 7/1973 Sampatacos B60G 7/005
280/124.136
4,618,159 A * 10/1986 Kozyra B60T 1/065
180/253

(Continued)

FOREIGN PATENT DOCUMENTS
CN 302660191 S 11/2013
IN 2012MU00844 3/2013

(Continued)

OTHER PUBLICATIONS
International Search Report in PCT/US2015/059017 dated Jan. 13, 2016.

(Continued)

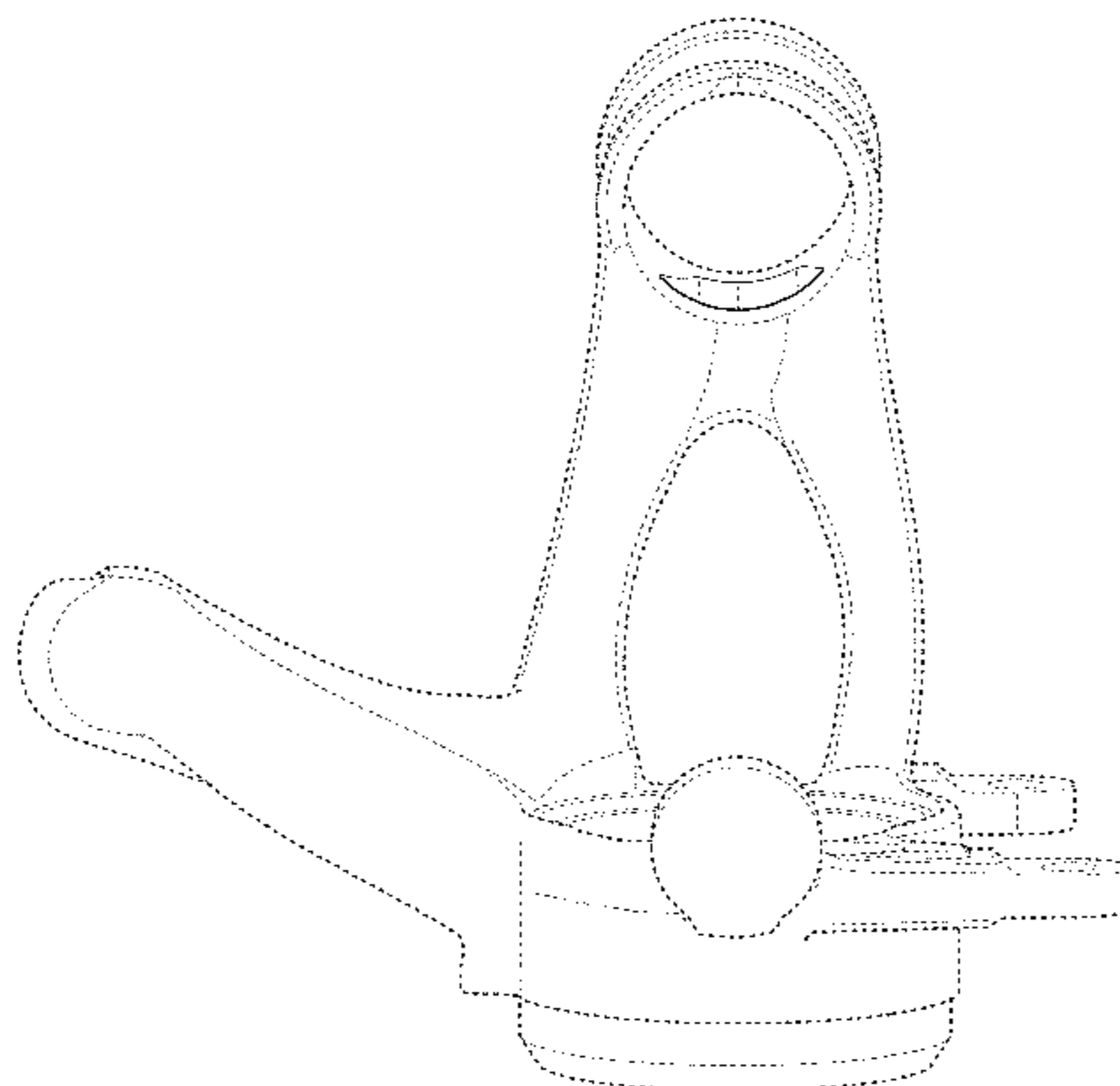
Primary Examiner — Michael A Pratt
(74) *Attorney, Agent, or Firm* — McGinn IP Law Group, PLLC

(57) **CLAIM**
The ornamental design for a steering knuckle for a driving apparatus, as shown and described.

DESCRIPTION

FIG. 1 is a front view of a steering knuckle comprising an opening hole, a recess having an omega-like cross-section (environment), and a beam connecting between the two (environment) as showing our new design;
FIG. 2 is a perspective view thereof;
FIG. 3 is an X-plane cross section view of a steering knuckle as showing our new design;
FIG. 4 is a first Y-plane cross section view of a steering knuckle as showing our new design;
FIG. 5 is a second Y-plane cross section view of a steering knuckle as showing our new design;
FIG. 6 is a third Y-plane cross section view of a steering knuckle as showing our new design;
FIG. 7 is an fourth Y-plane cross section view of a steering knuckle as showing our new design;
FIG. 8 is a first Z-plane cross section view of a steering knuckle as showing our new design;
FIG. 9 is a second Z-plane cross section view of a steering knuckle as showing our new design;
FIG. 10 is a third Z-plane cross section view of a steering knuckle as showing our new design;
FIG. 11 is a front view of a second embodiment of the steering knuckle;
FIG. 12 is a perspective view of the second embodiment of the steering knuckle;
FIG. 13 is a front view of a third embodiment of the steering knuckle;
FIG. 14 is a perspective view of the third embodiment of the steering knuckle;
FIG. 15 is a front view of a fourth embodiment of the steering knuckle;
FIG. 16 is a perspective view of the fourth embodiment of the steering knuckle;
FIG. 17 is a front view of a fifth embodiment of the steering knuckle; and,
FIG. 18 is a perspective view of the fifth embodiment of the steering knuckle.

1 Claim, 18 Drawing Sheets



(56)

References Cited

U.S. PATENT DOCUMENTS

4,722,540 A * 2/1988 Kozyra B60T 1/065
180/253

5,022,673 A 6/1991 Sekino et al.

5,120,150 A 6/1992 Kozyra et al.

5,366,233 A 11/1994 Kozyra et al.

6,179,308 B1 1/2001 Mielauskas et al.

6,739,422 B2 5/2004 Krude et al.

D612,304 S 3/2010 Mahnig et al.

8,297,632 B2 10/2012 Webster et al.

D686,952 S 7/2013 Rau et al.

8,794,647 B2 8/2014 Moessinger

2006/0110213 A1 * 5/2006 Wolf B60G 7/008
403/134

2013/0181421 A1 7/2013 Rohde et al.

2015/0251695 A1 * 9/2015 Burgess B62D 7/16
403/343

FOREIGN PATENT DOCUMENTS

JP 2001-114127 A 4/2001

JP 2001-187583 A 7/2001

JP 1358555 S 5/2009

JP 1447400 S 7/2012

JP 2014-91469 A 5/2014

WO WO 9713674 A1 * 4/1997 B62D 7/18

OTHER PUBLICATIONS

Written Opinion of the International Searching Authority in PCT/
US2015/059017.

United States Office Action dated Dec. 21, 2015 in co-pending U.S.
Appl. No. 29/503,922.

United States Office Action dated Feb. 12, 2016 in co-pending U.S.
Appl. No. 14/532,564.

United States Office Action dated Feb. 12, 2016 in co-pending U.S.
Appl. No. 14/867,367.

* cited by examiner

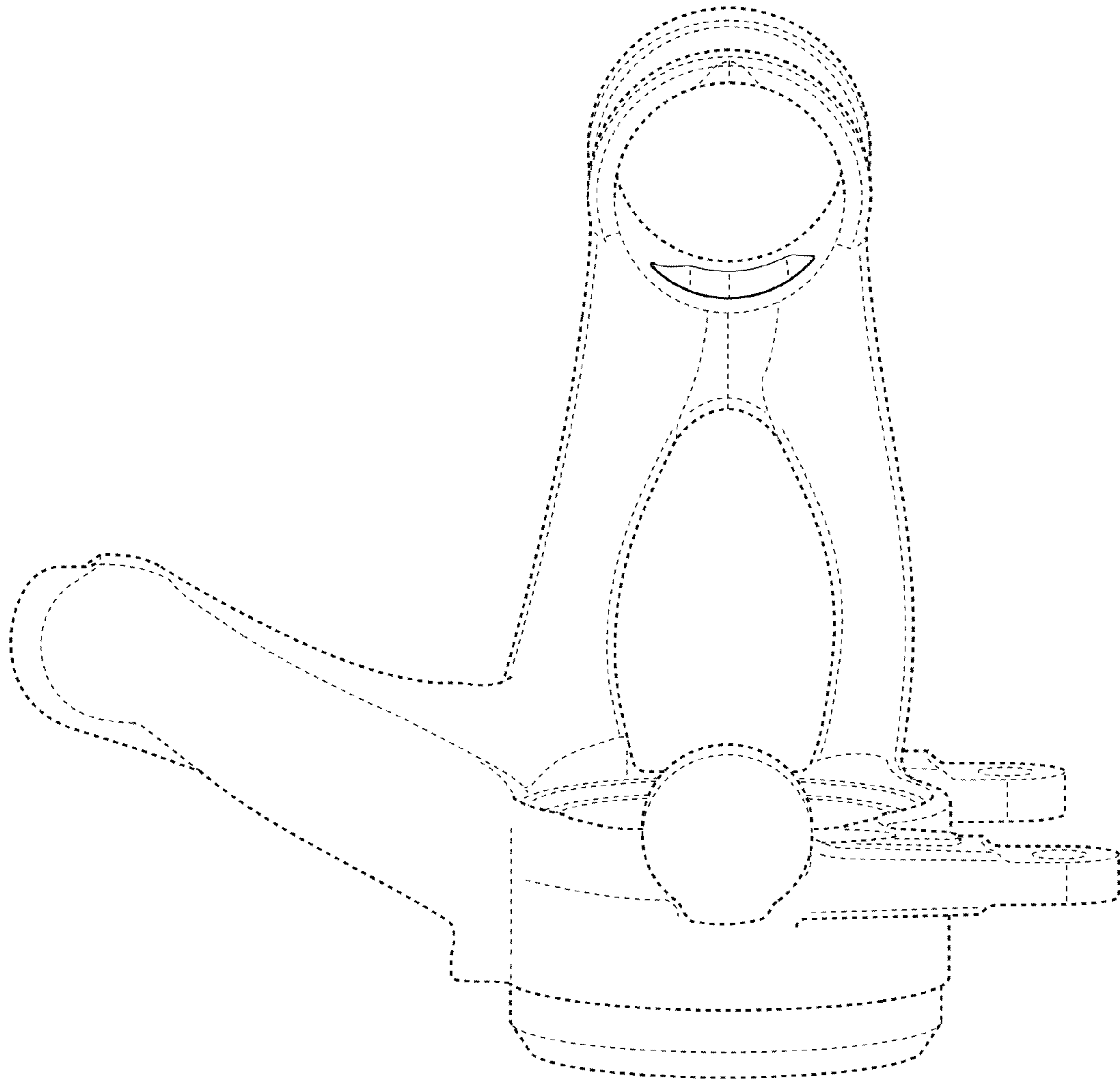


FIG. 1

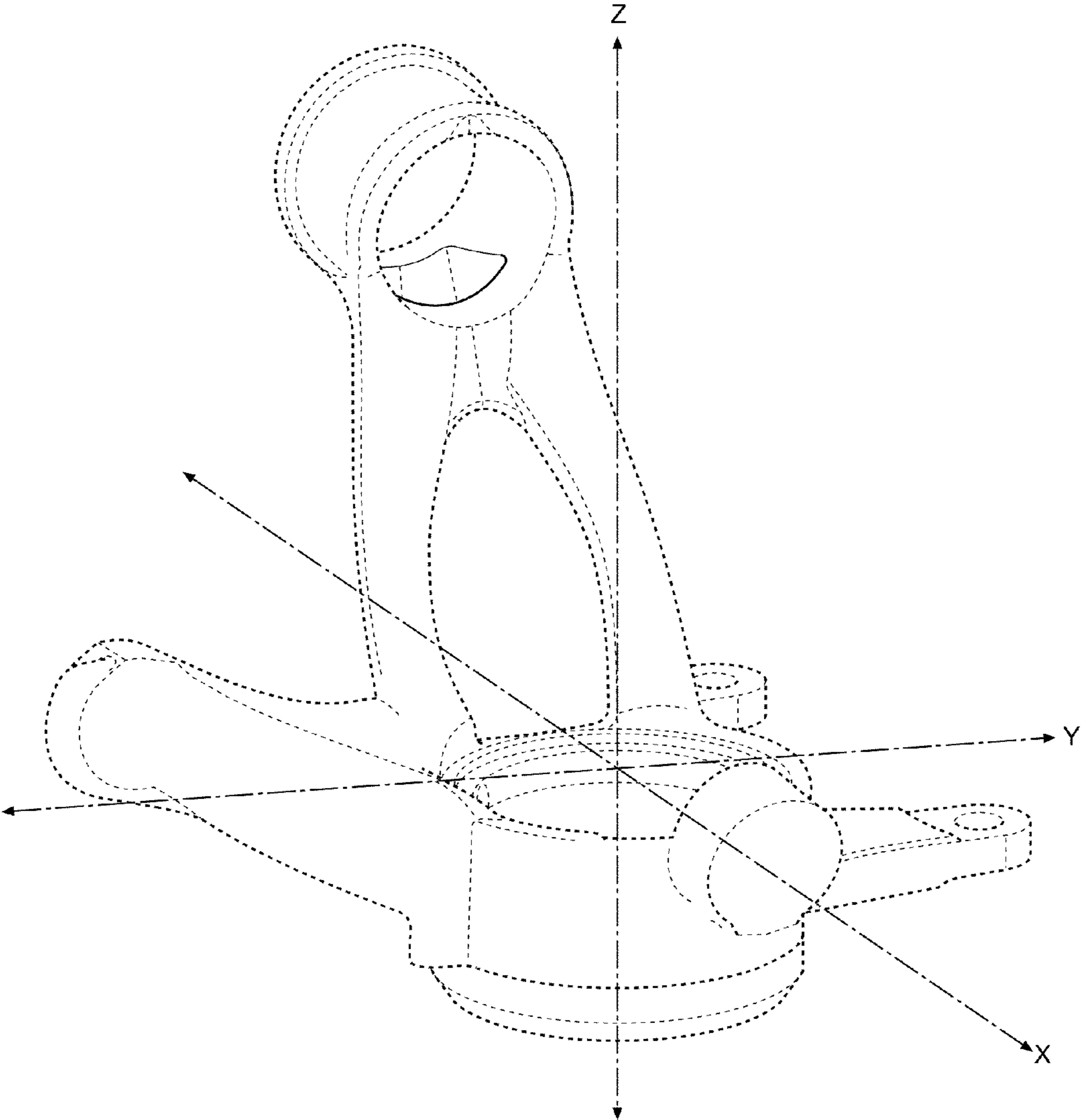


FIG. 2

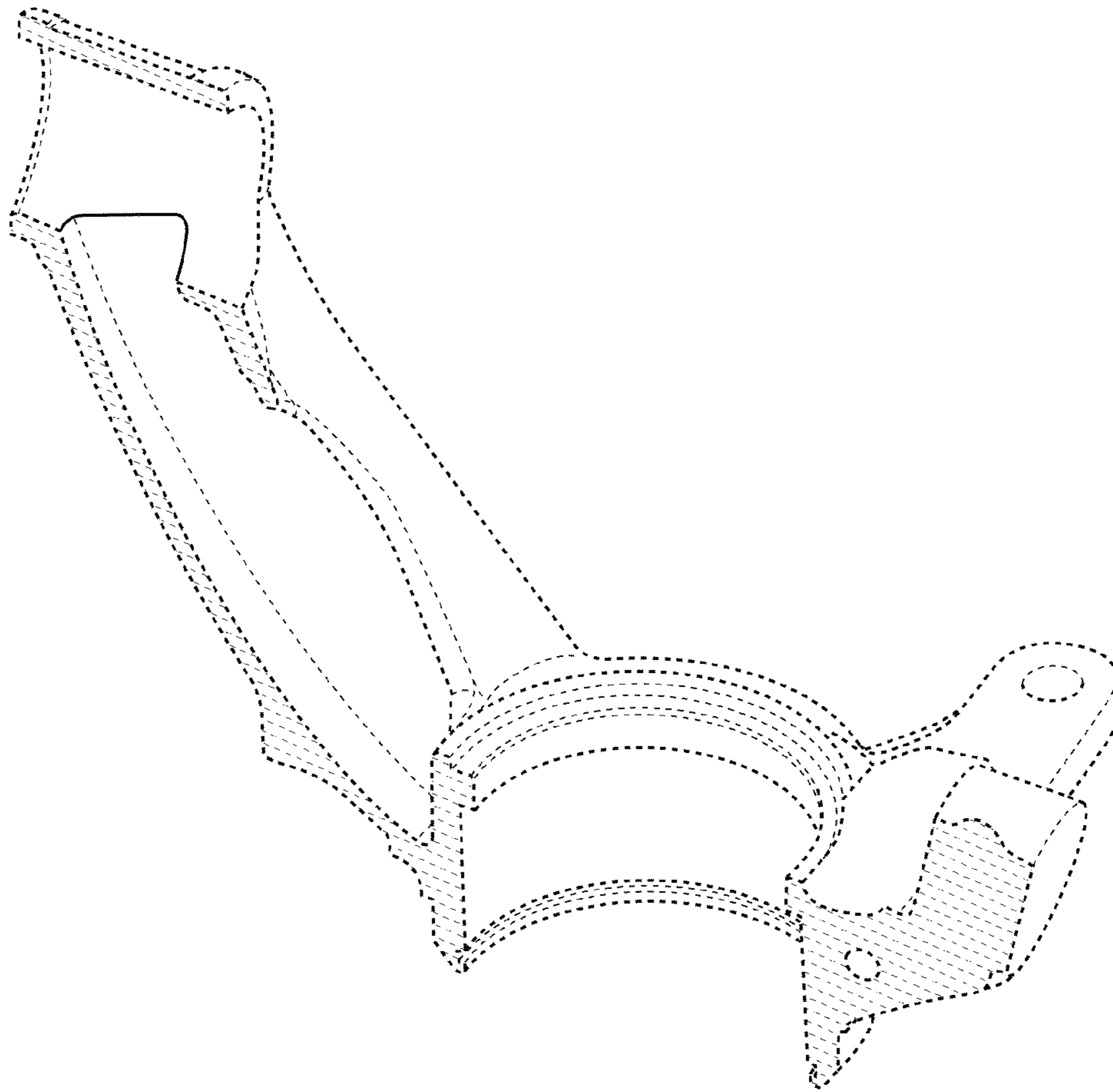


FIG. 3

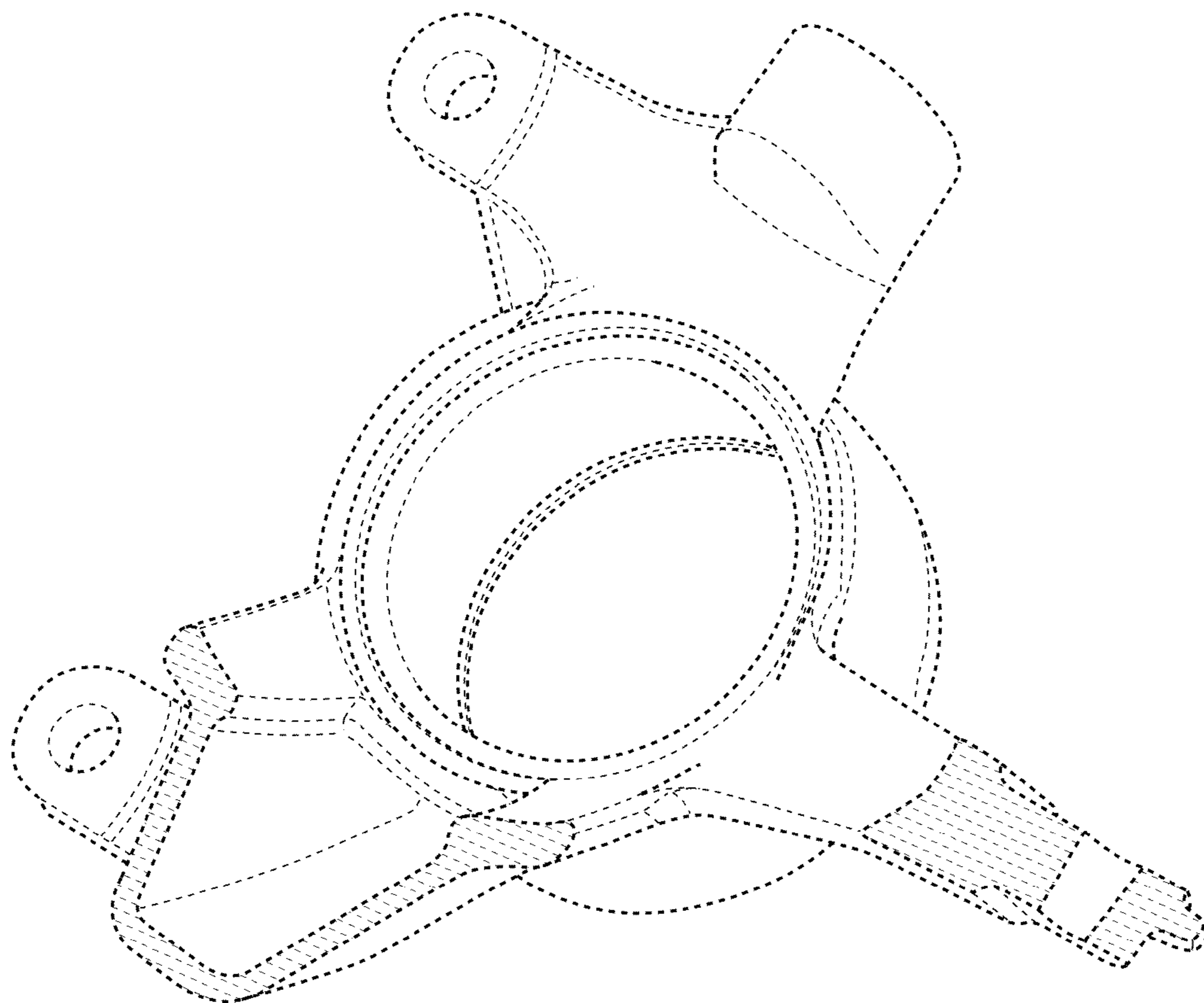


FIG. 4

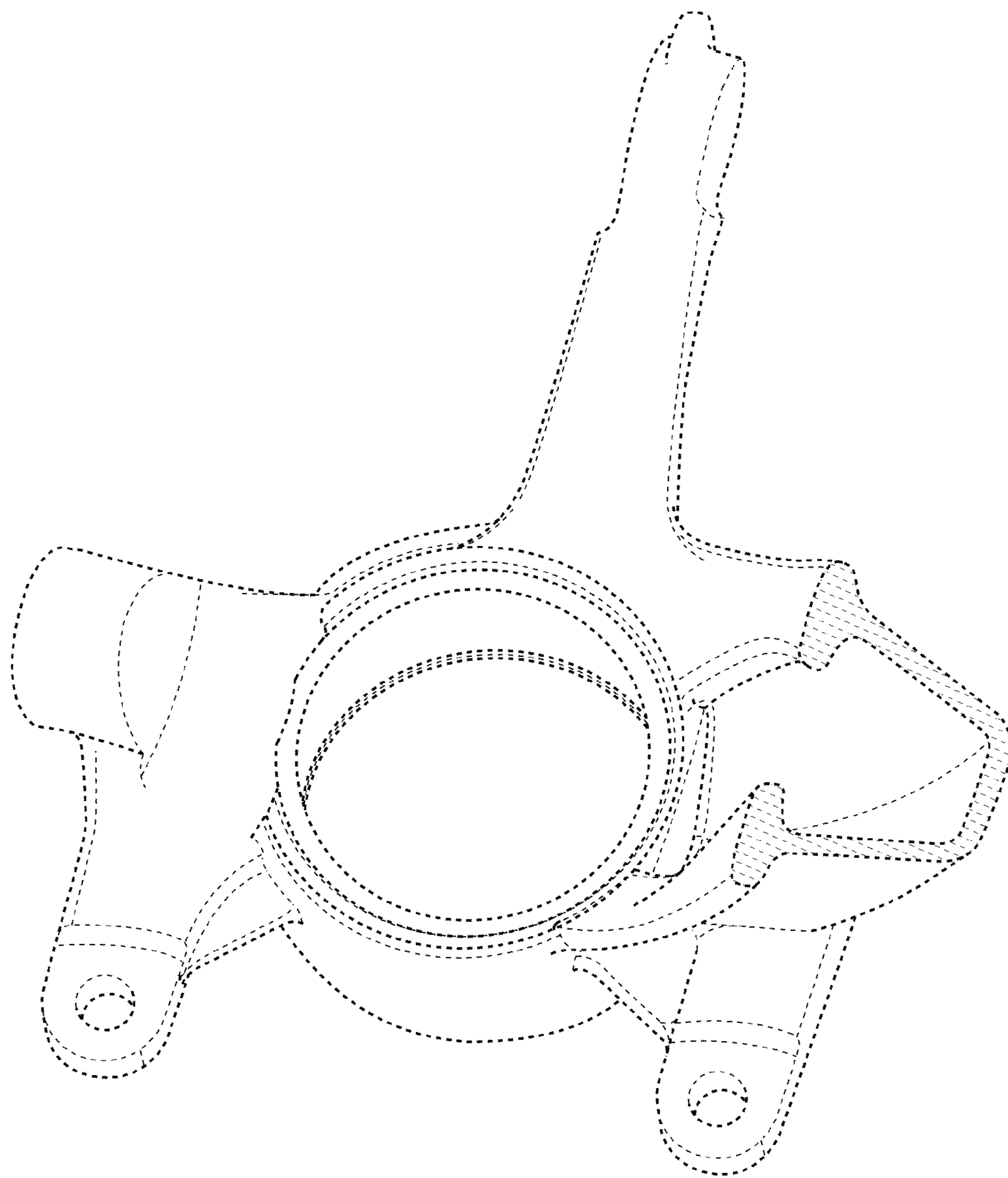


FIG. 5

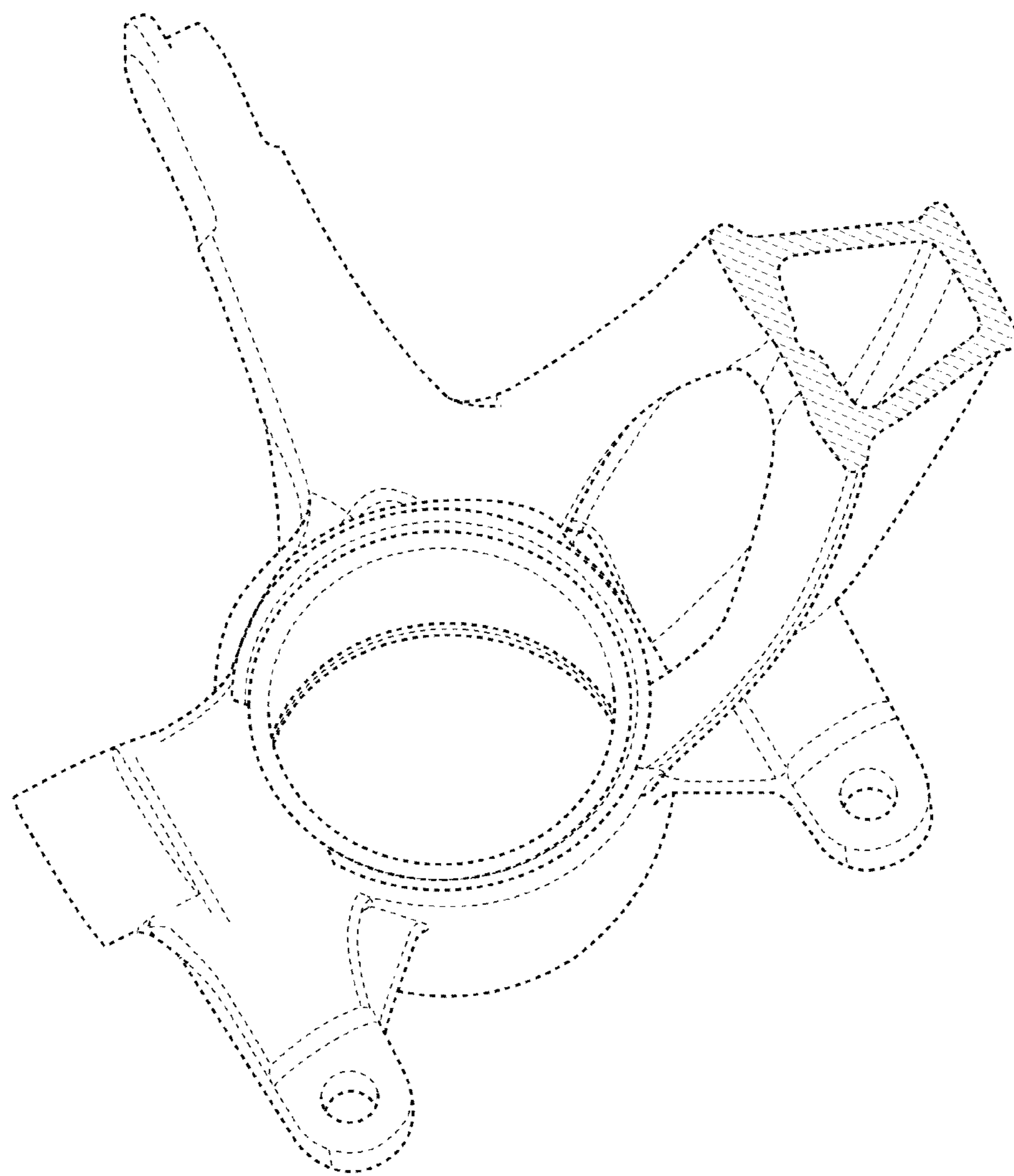


FIG. 6

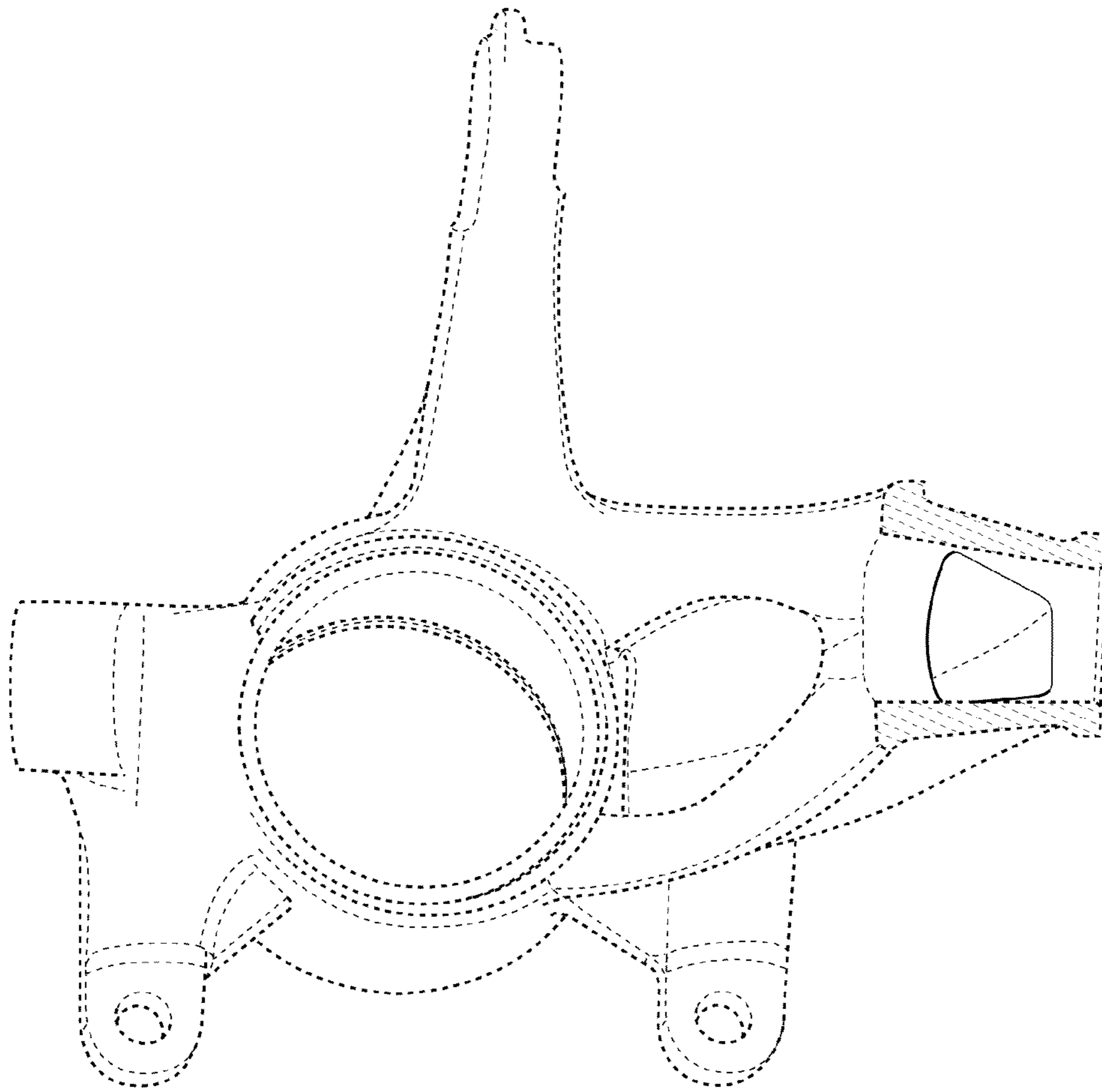


FIG. 7

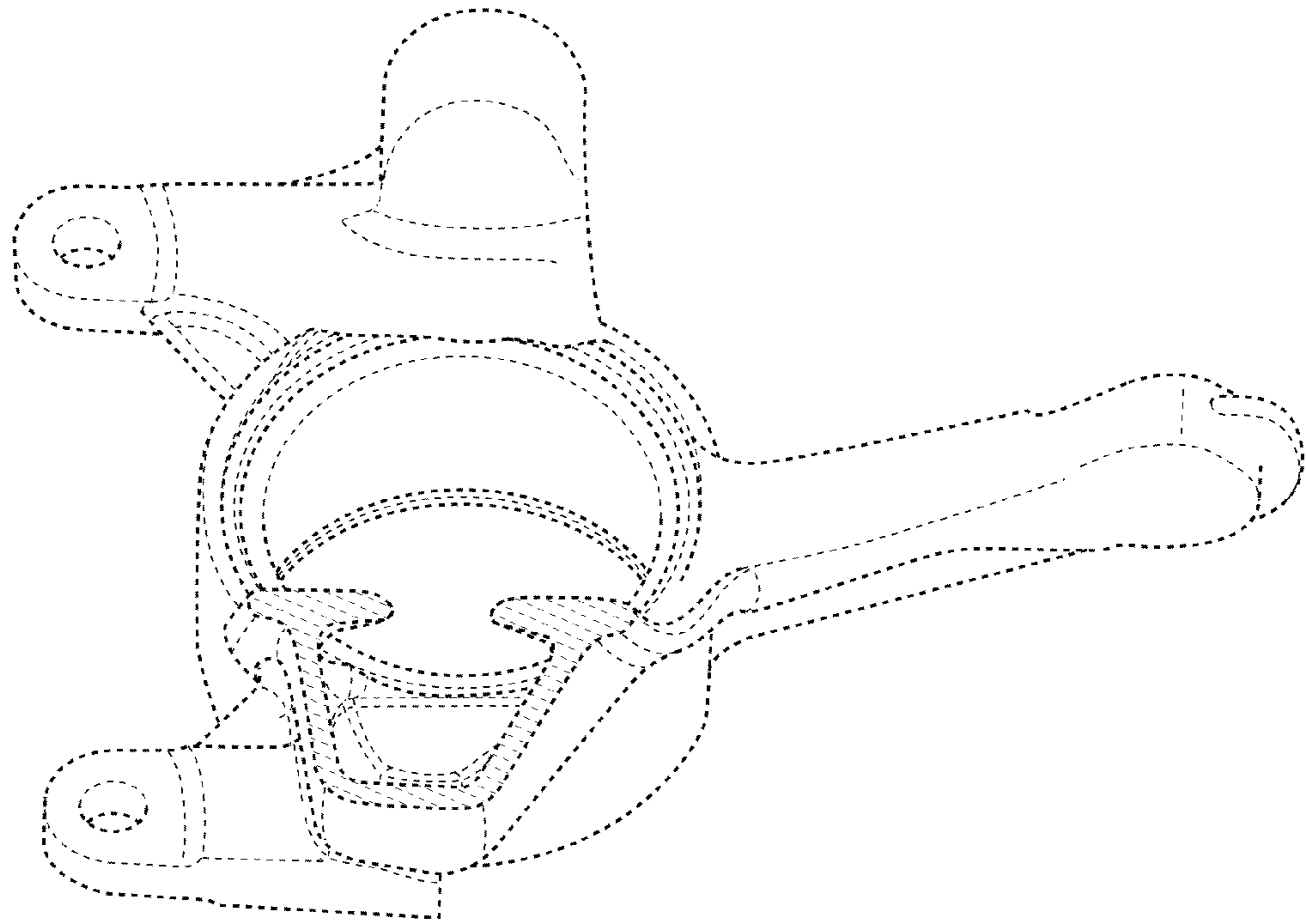


FIG. 8

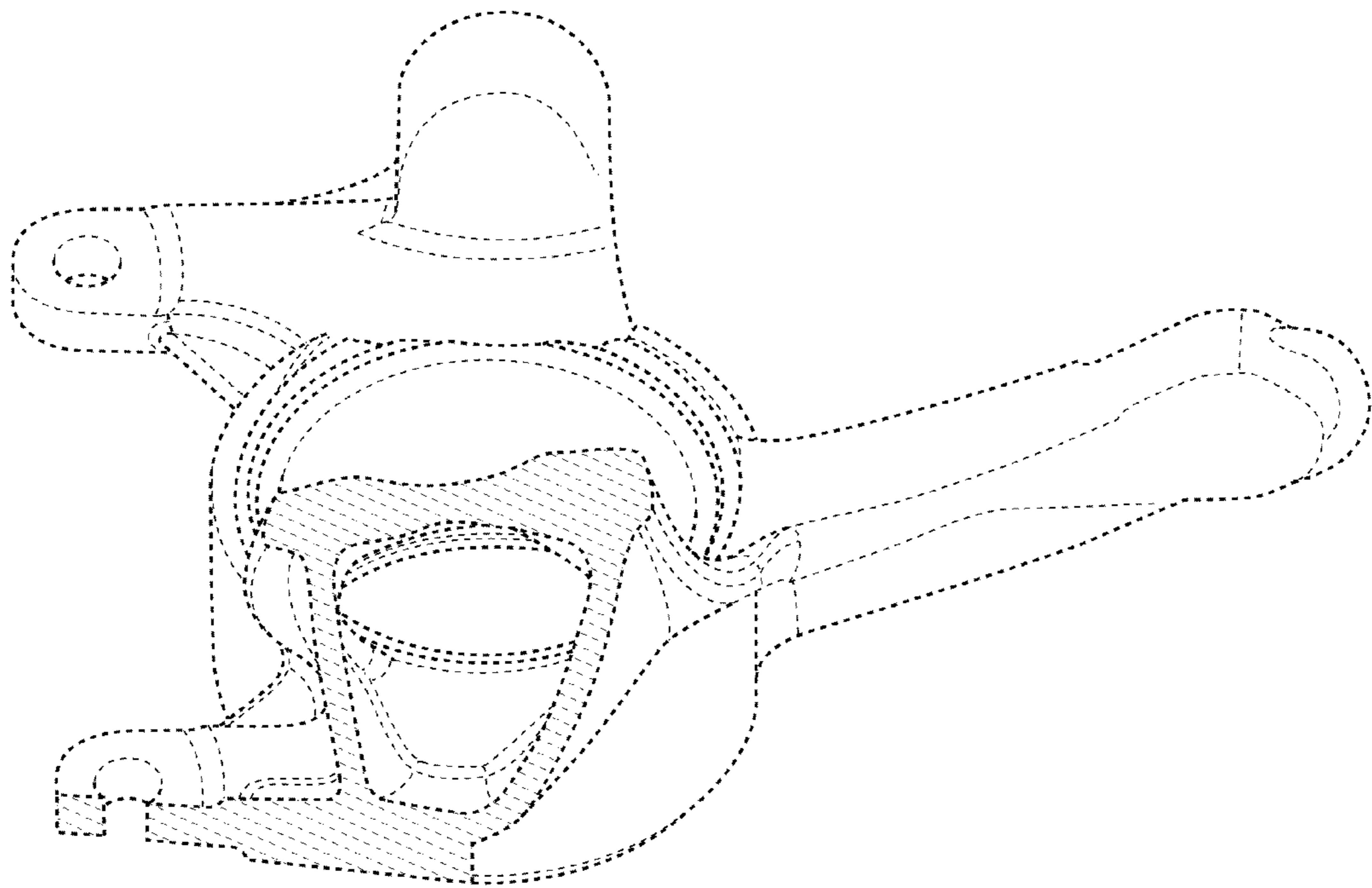


FIG. 9

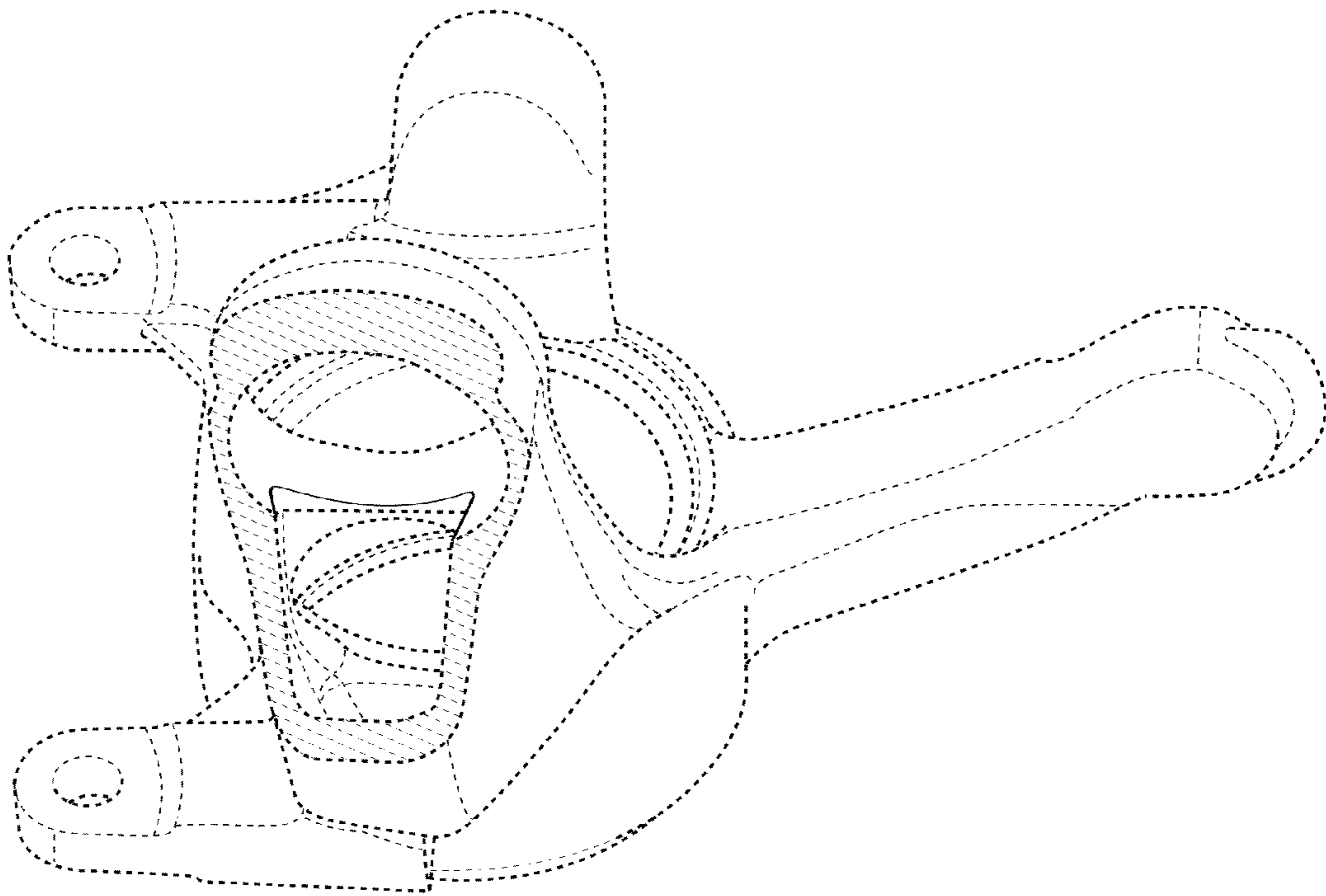


FIG. 10

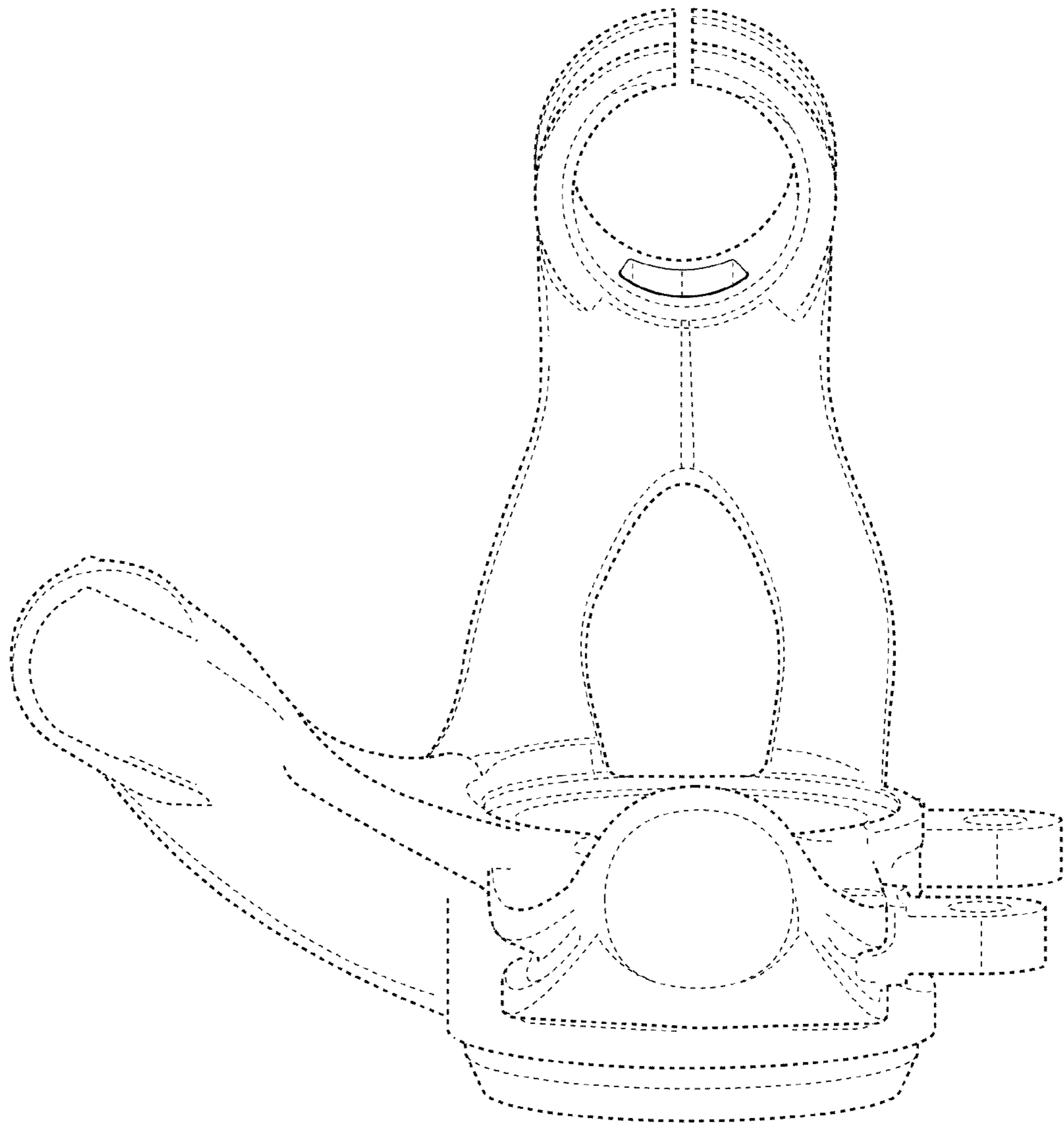


FIG. 11

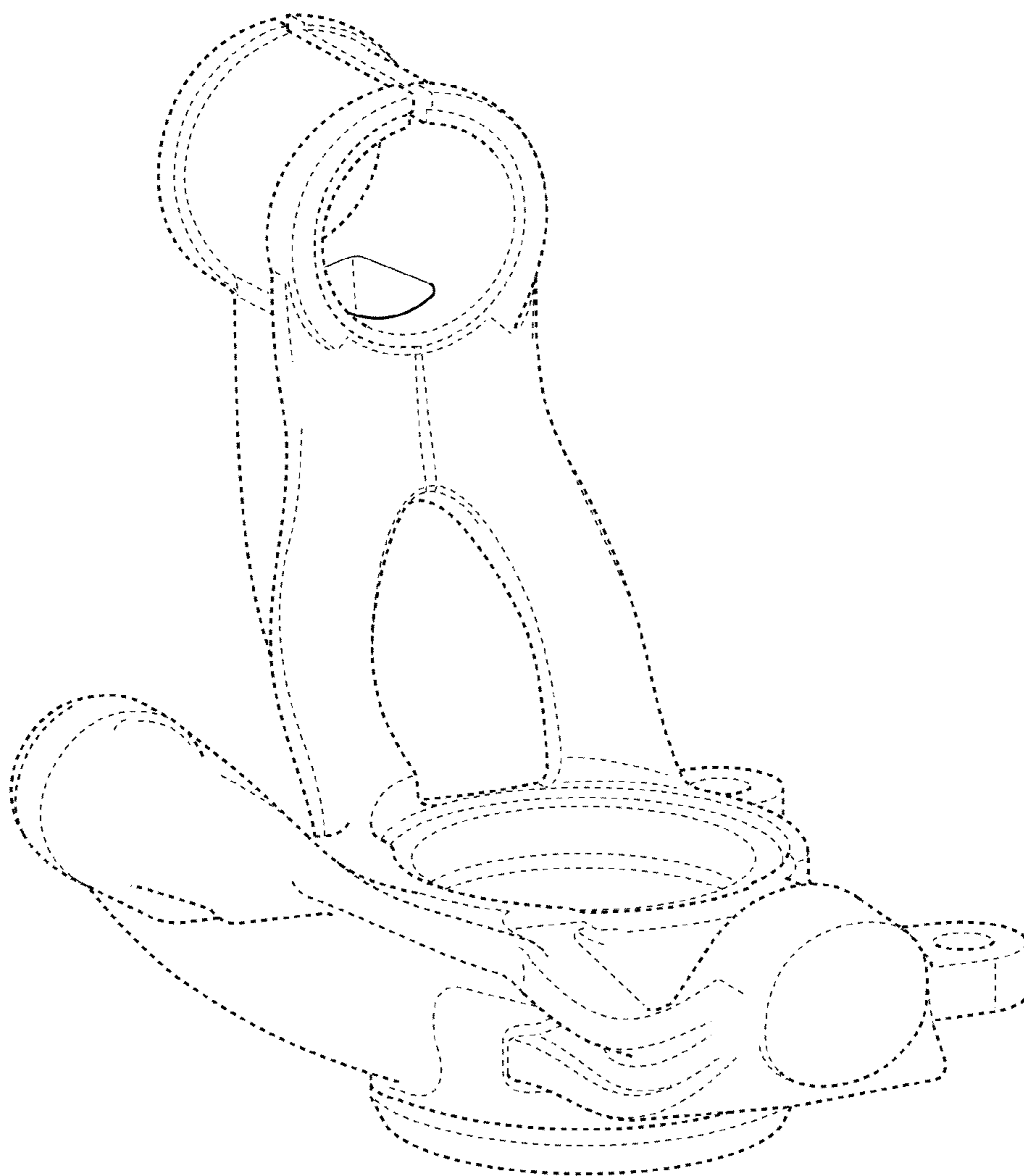


FIG. 12

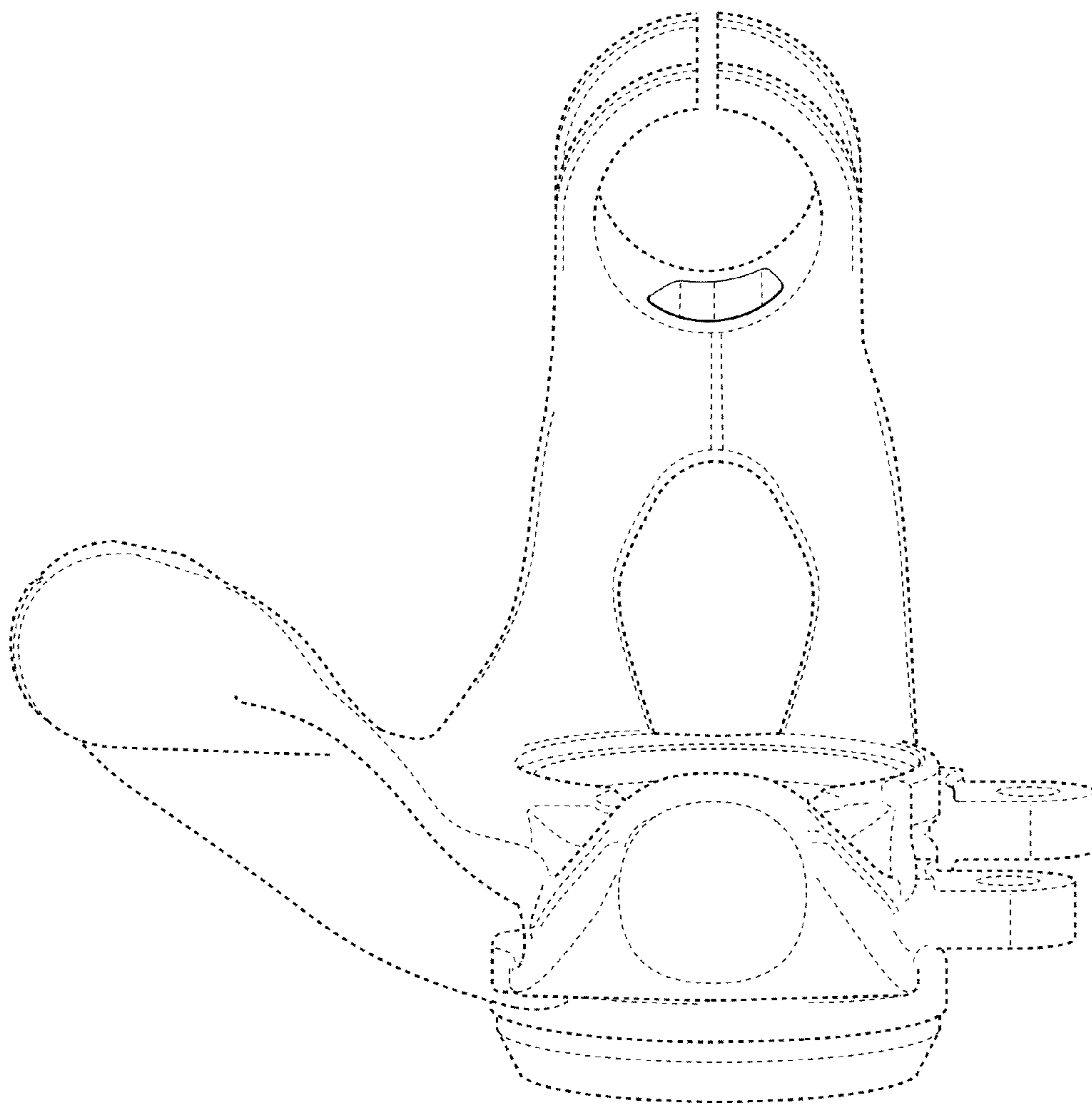


FIG. 13

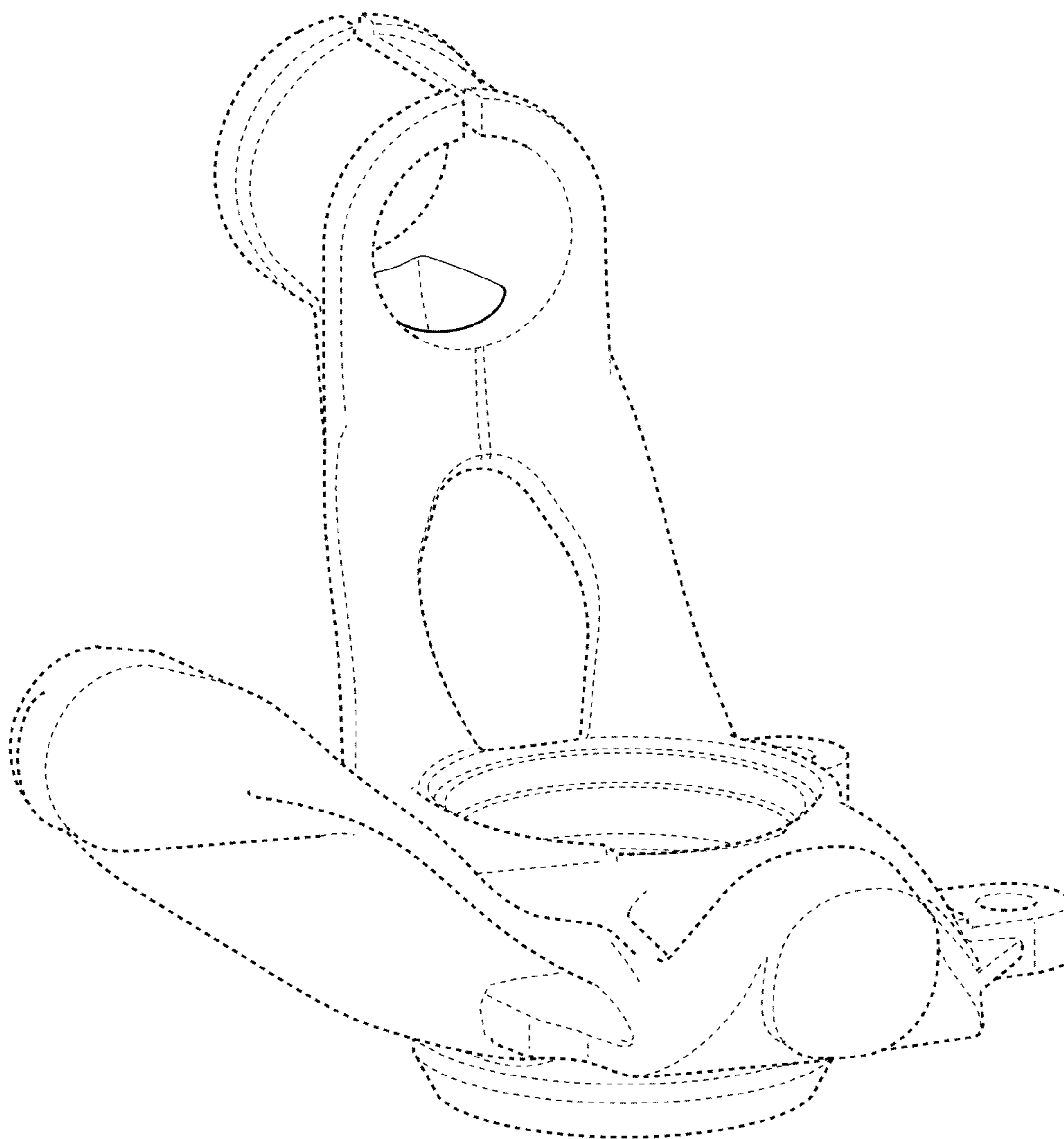


FIG. 14

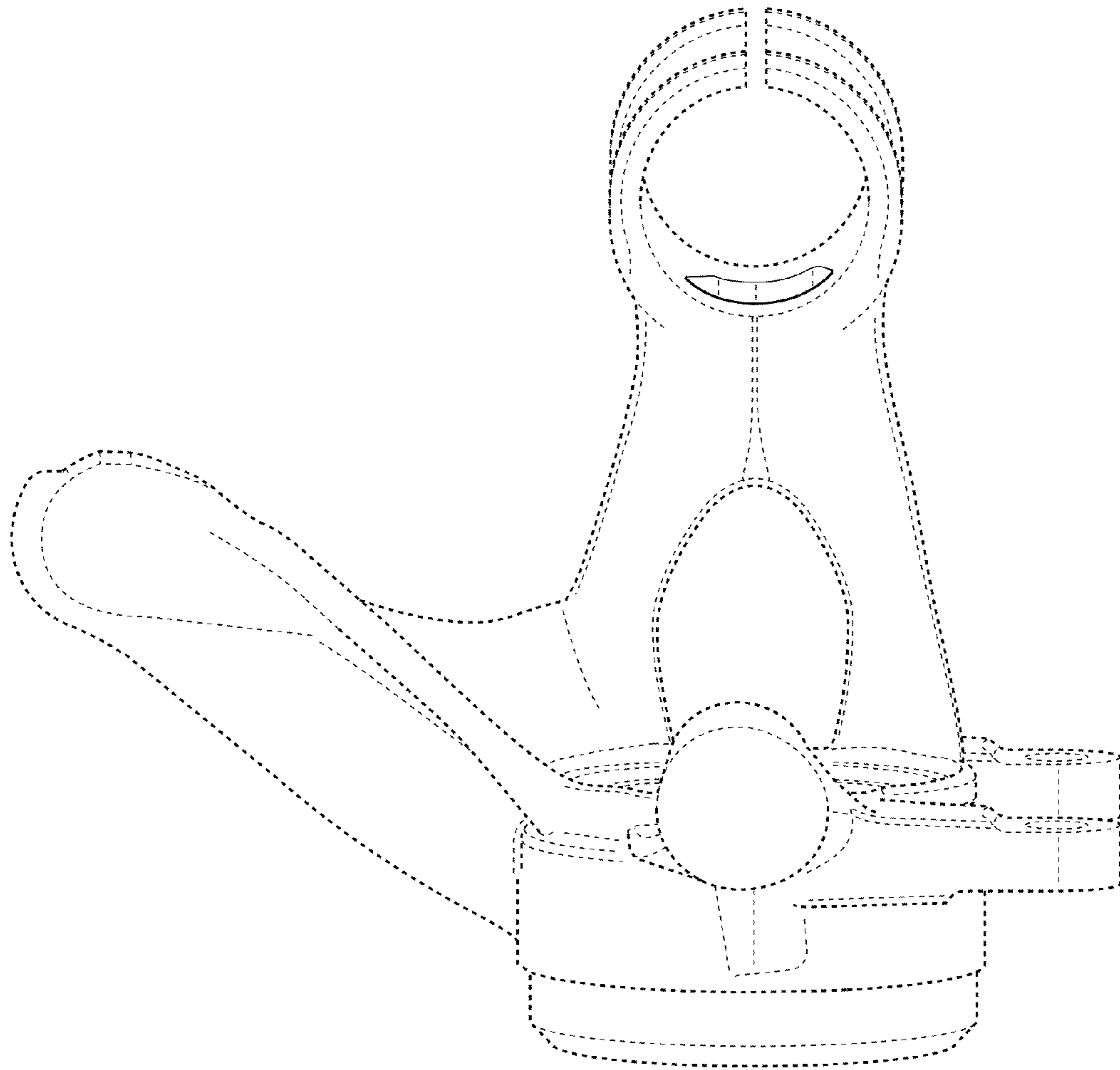


FIG. 15

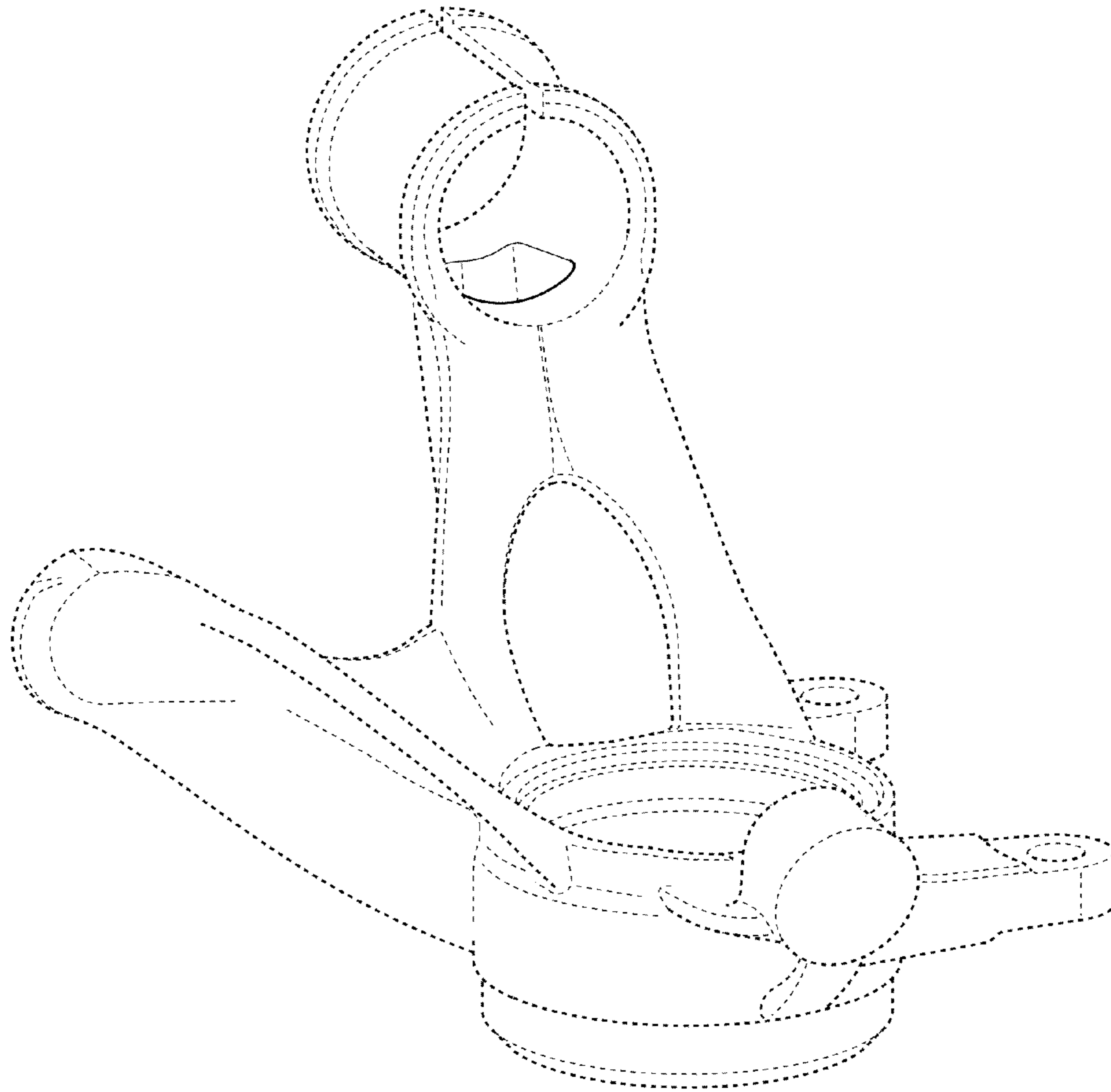


FIG. 16

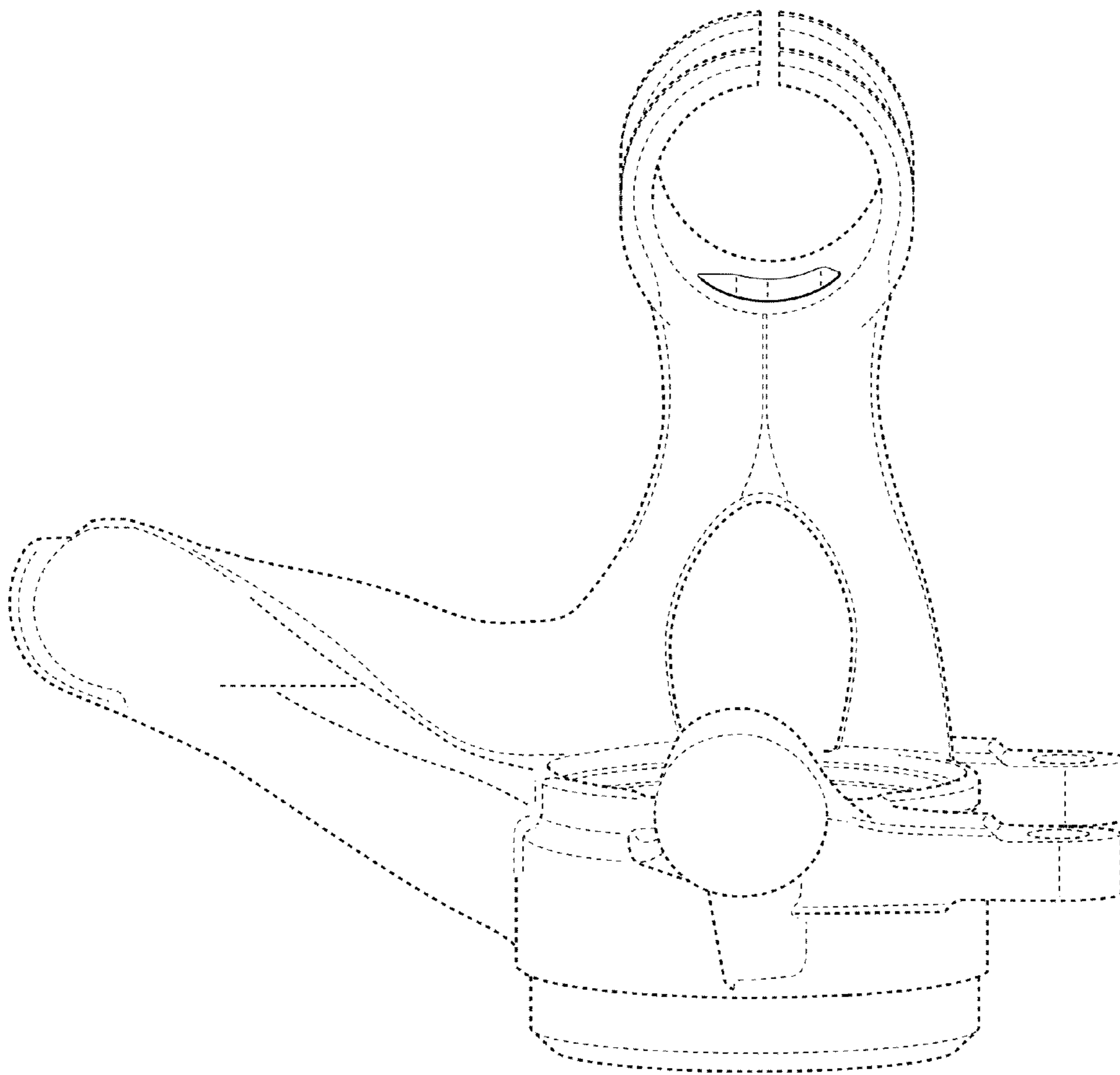


FIG. 17

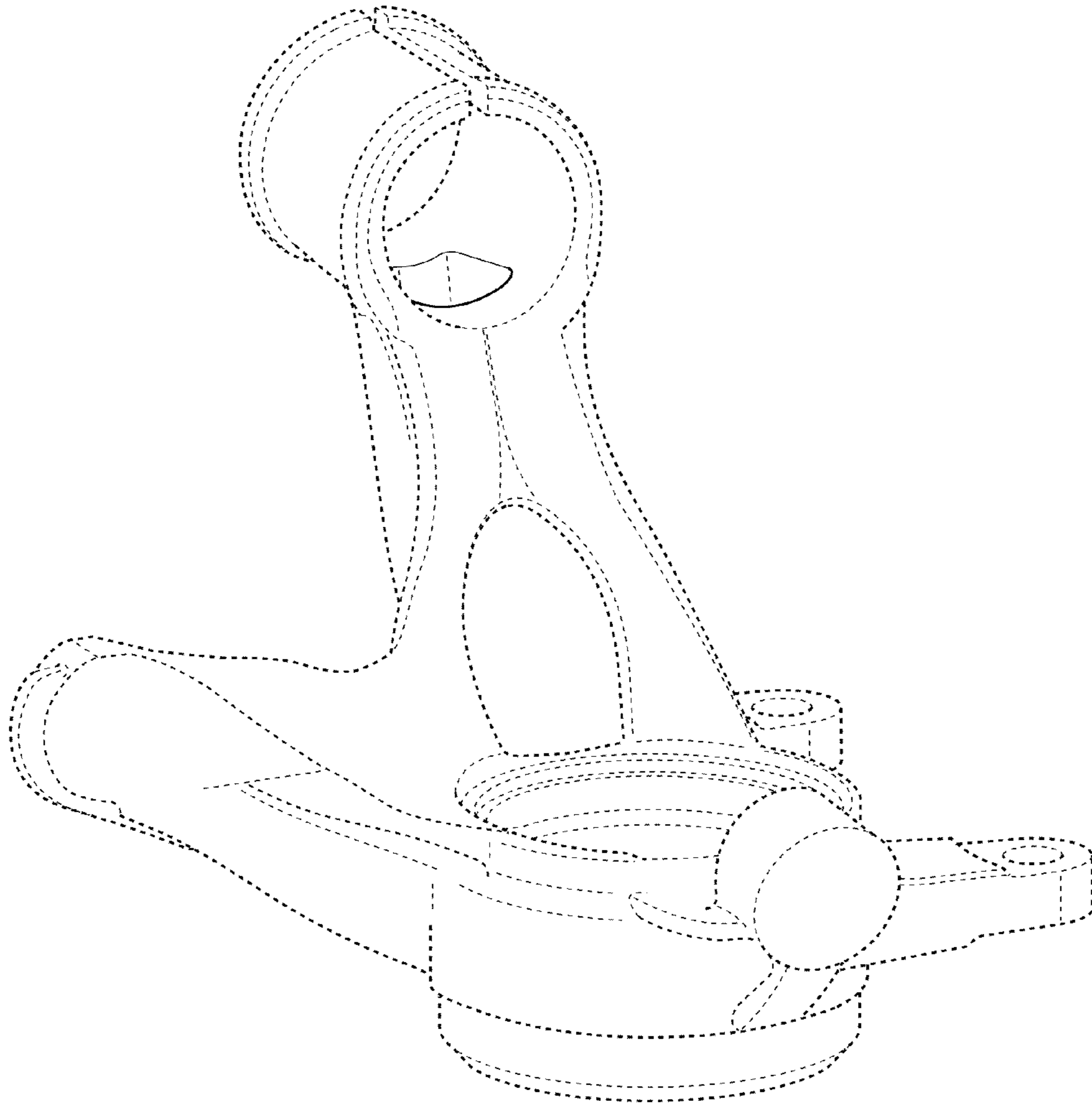


FIG. 18