



US00D755686S

(12) **United States Design Patent**
Clark

(10) **Patent No.:** **US D755,686 S**
(45) **Date of Patent:** **** May 10, 2016**

(54) **VEHICULAR ROOF TOP CARGO BASKET**

(71) Applicant: **Thule Sweden AB**, Hillerstorp (SE)

(72) Inventor: **Jason Clark**, Glendale, AZ (US)

(73) Assignee: **Thule Sweden AB**, Hillerstorp (SE)

(**) Term: **14 Years**

(21) Appl. No.: **29/498,580**

(22) Filed: **Aug. 5, 2014**

(51) **LOC (10) Cl.** **12-16**

(52) **U.S. Cl.**

USPC **D12/142**

(58) **Field of Classification Search**

USPC D12/412, 406, 413, 414, 414.1;
D6/552; D3/304-306

CPC B60R 9/00; B60R 9/02; B60R 9/04;
B60R 9/08; B60R 9/042; B60R 9/0423;
B60R 9/0426; B60R 9/045; B60R 9/048;
B60R 9/0485; B60R 9/05; B60R 9/052;
B60R 9/055; B60R 9/058; B60R 9/06; B60R
9/10; B60R 9/12

See application file for complete search history.

(56) **References Cited**

U.S. PATENT DOCUMENTS

D413,562 S * 9/1999 Van Dusen D12/412
D422,553 S * 4/2000 VonDuyke D12/412

D496,323 S * 9/2004 Buseman D12/412
D520,938 S * 5/2006 Badillo D12/412
D537,404 S * 2/2007 Bauer D12/412
D540,736 S * 4/2007 Harris D12/412
D558,123 S * 12/2007 Murillo D12/412
D561,086 S * 2/2008 Lopez D12/412
D575,722 S * 8/2008 Beauchamp D12/412
D719,904 S * 12/2014 Rickard D12/412

* cited by examiner

Primary Examiner — Katrina A Betton

(74) *Attorney, Agent, or Firm* — Sterne, Kessler, Goldstein & Fox P.L.L.C.

(57) **CLAIM**

I claim the ornamental design for a vehicular roof top cargo basket, as shown and described.

DESCRIPTION

FIG. 1 is a perspective view of a vehicular roof top cargo basket;

FIG. 2 is a right side elevational view thereof

FIG. 3 is a left side elevational view thereof;

FIG. 4 is a front elevational view thereof;

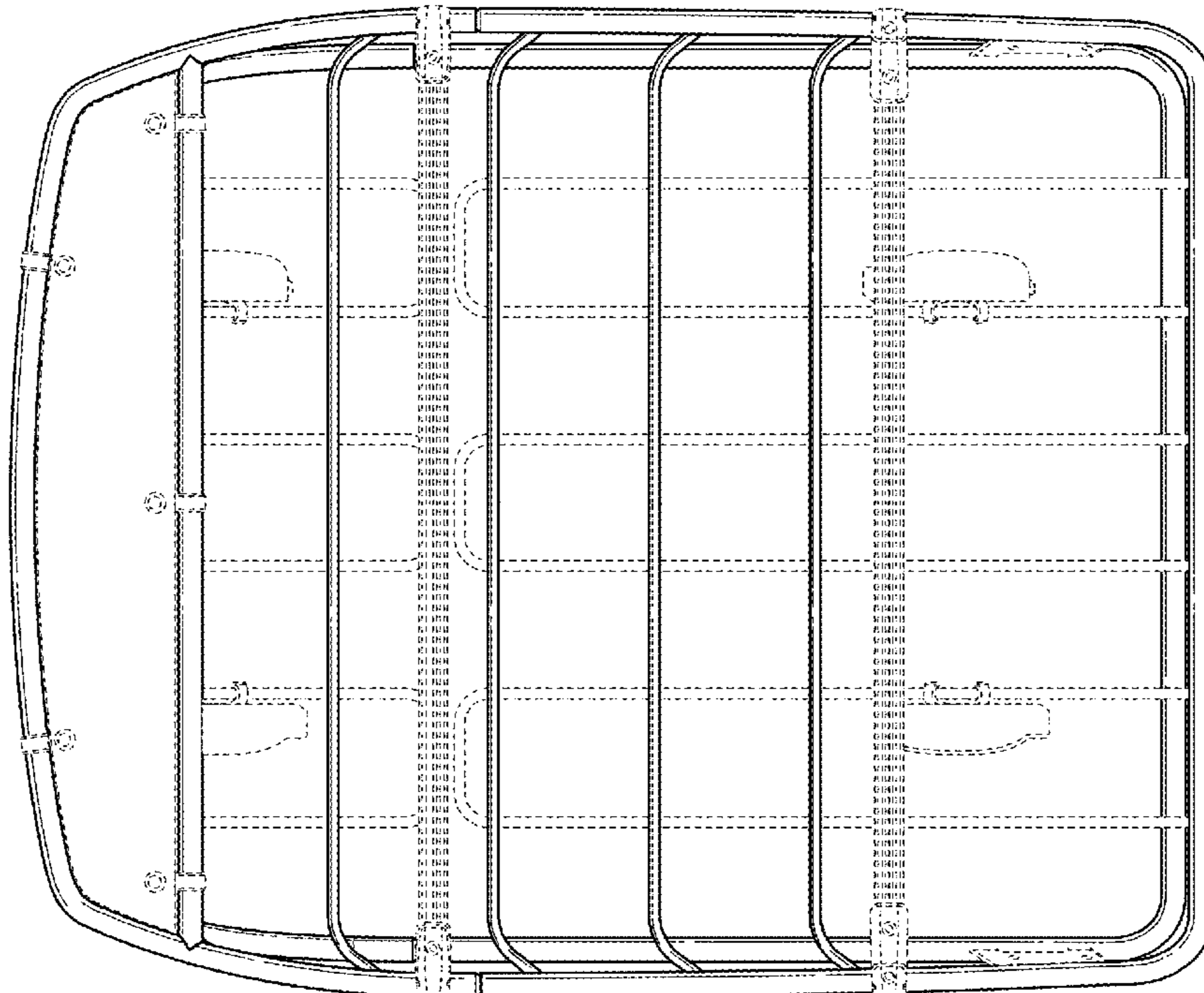
FIG. 5 is a rear elevational view thereof;

FIG. 6 is a top plan view thereof; and,

FIG. 7 is a bottom plan view thereof.

Broken lines illustrate unclaimed portions of the vehicular roof top cargo basket; broken lines form no part of the claimed design.

1 Claim, 7 Drawing Sheets



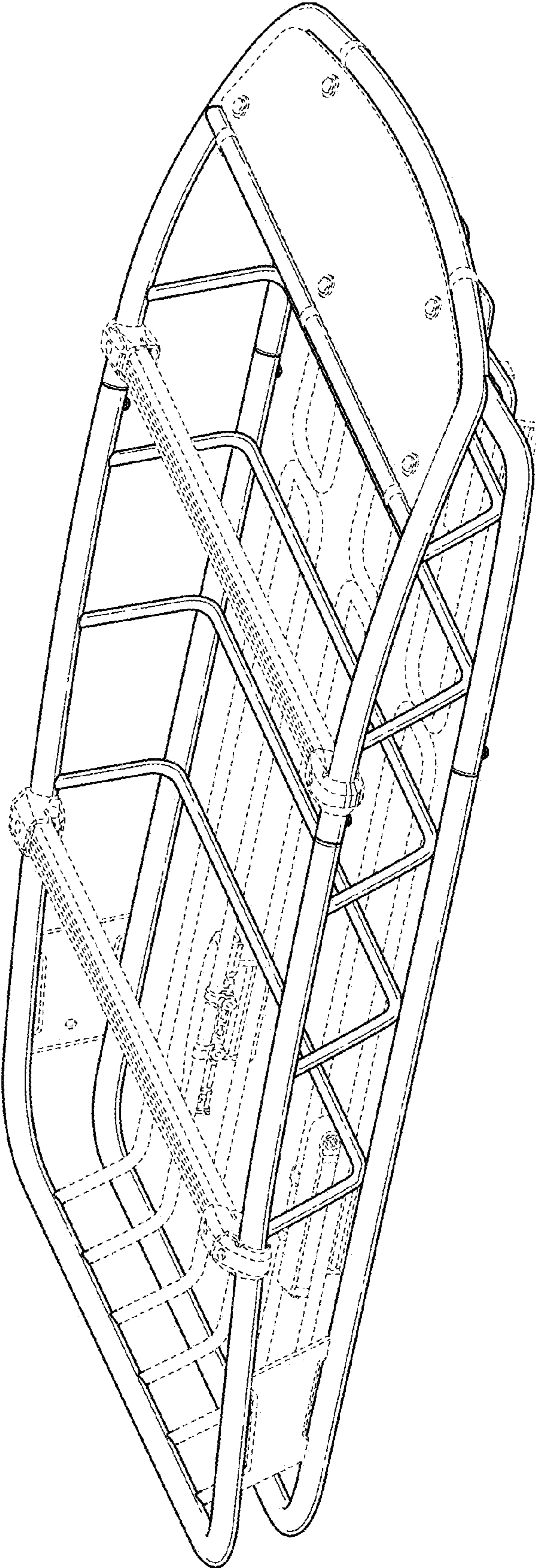


FIG. 1

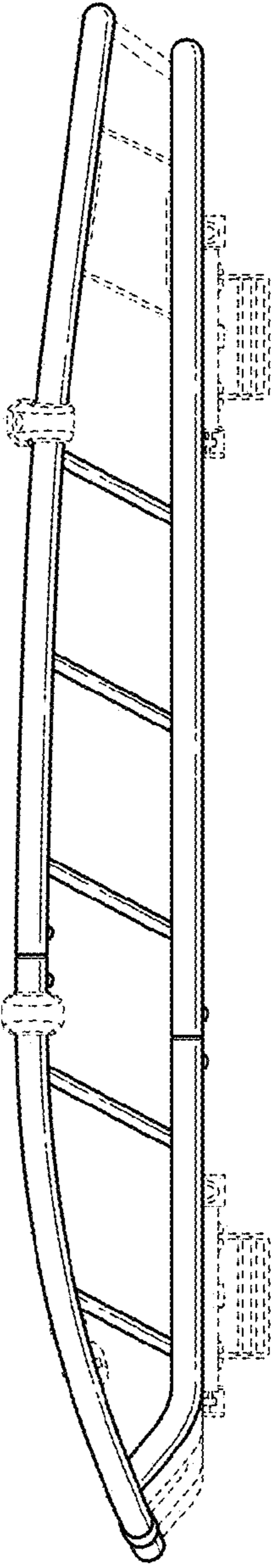


FIG. 2

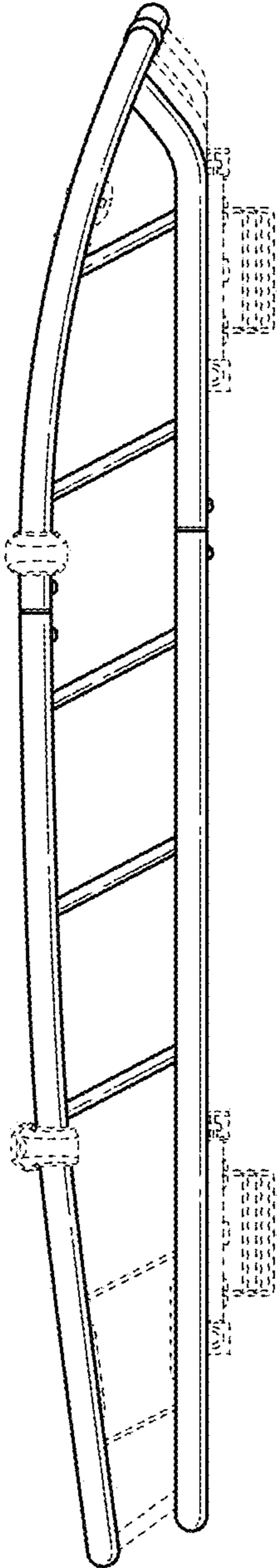


FIG. 3

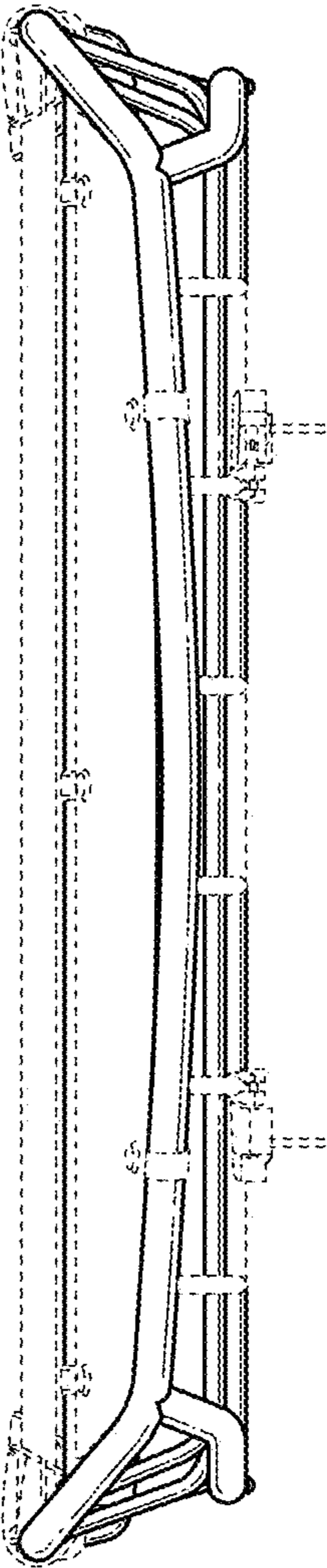


FIG. 4

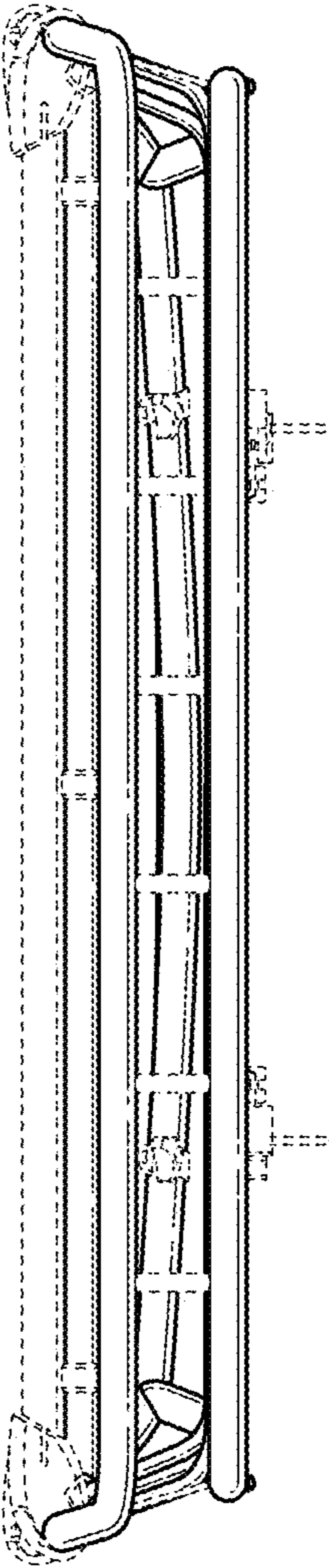


FIG. 5

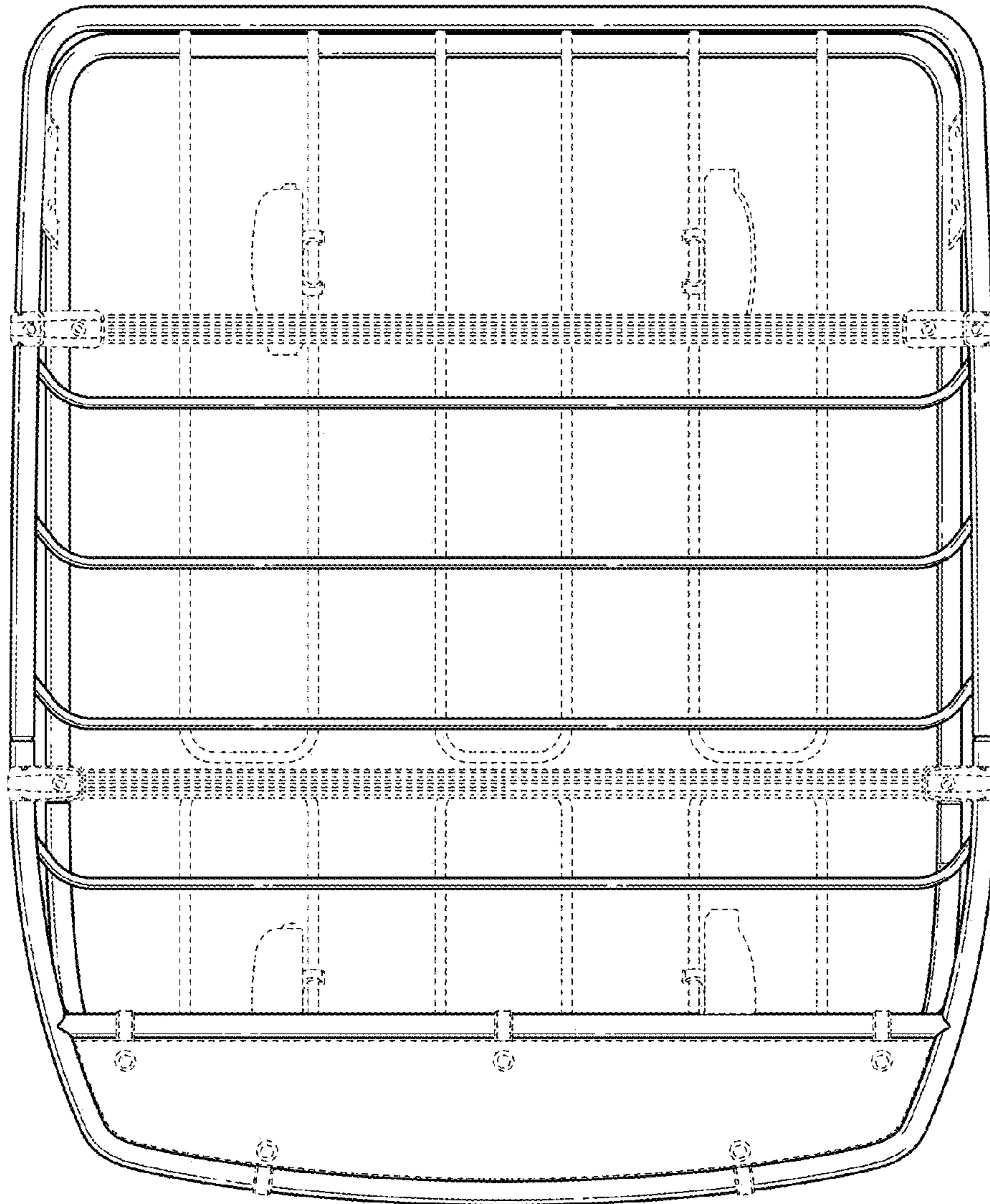


FIG. 6

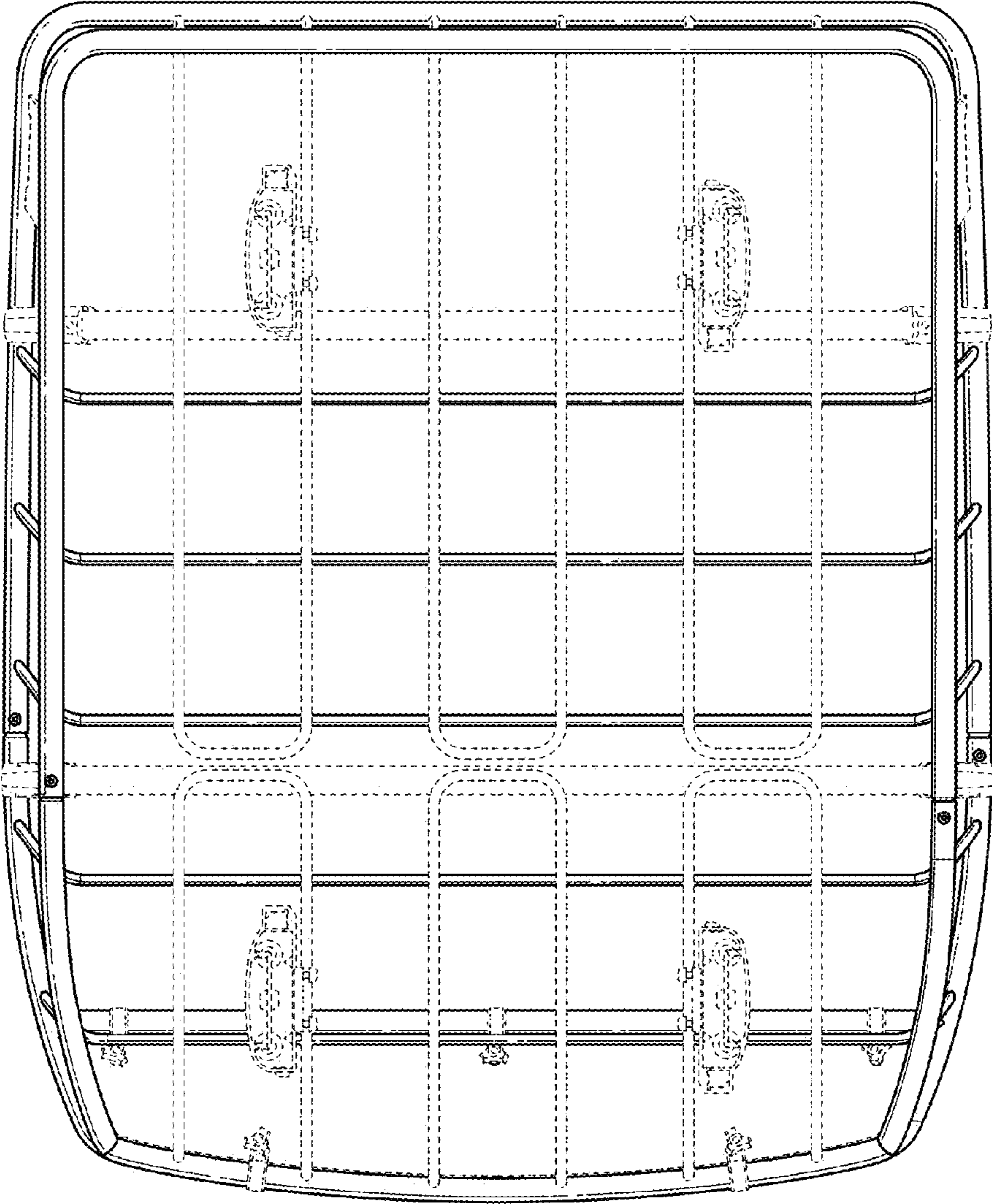


FIG. 7