



US00D755682S

(12) **United States Design Patent**  
**Hahn-Woernle**

(10) **Patent No.:** **US D755,682 S**  
(45) **Date of Patent:** **\*\* May 10, 2016**

(54) **MOTORCYCLE, TOY, AND/OR REPLICAS THEREOF**

(71) Applicant: **Bayerische Motoren Werke Aktiengesellschaft, Munich (DE)**

(72) Inventor: **Christian Siegfried Erhard Hahn-Woernle, Munich (DE)**

(73) Assignee: **Bayerische Motoren Werke Aktiengesellschaft, Munich (DE)**

(\*\*) Term: **14 Years**

(21) Appl. No.: **29/516,034**

(22) Filed: **Jan. 29, 2015**

(30) **Foreign Application Priority Data**

Jul. 30, 2014 (DE) ..... 40 2014 100 660

(51) **LOC (10) Cl.** ..... **12-11**

(52) **U.S. Cl.**  
USPC ..... **D12/110**

(58) **Field of Classification Search**  
USPC ..... D12/109, 110, 111, 114, 117, 126, 184, D12/186; D21/432, 458, 538; 180/210–217, 180/219, 220, 225, 229, 908; 280/103, 124, 280/152.1–152.3, 288.2, 288.4, 304.3, 770, 280/827, 828, 847, 848; 296/77.1, 78.1, 296/181.1, 187.01, 187.12, 192, 193.01, 296/193.04, 193.05, 193.09; 446/440  
CPC ..... B62D 37/00; B62D 57/00; B62K 9/00; B62K 11/04; B62K 17/00; B62K 19/48; B62M 7/12; F02B 61/02; A63H 17/21; B62J 17/00; B62J 17/04; B62J 29/00  
See application file for complete search history.

(56) **References Cited**

**U.S. PATENT DOCUMENTS**

D582,316 S \* 12/2008 Stenegard ..... D12/110  
D591,205 S \* 4/2009 Heinrich ..... D12/110

D597,449 S \* 8/2009 Nagao ..... D12/110  
D601,458 S \* 10/2009 Nagao ..... D12/110  
D605,089 S \* 12/2009 Tanaka ..... D12/110  
D636,708 S \* 4/2011 Katagiri ..... D12/110  
D638,756 S \* 5/2011 Kouchi ..... D12/110  
D651,138 S \* 12/2011 Lai ..... D12/110  
D652,769 S \* 1/2012 Kudo ..... D12/110  
D669,821 S \* 10/2012 Nishihara ..... D12/110  
D688,983 S \* 9/2013 Shibuta ..... D12/110  
D689,406 S \* 9/2013 Yasuhara ..... D12/110  
D695,153 S \* 12/2013 Buckan ..... D12/110  
D695,154 S \* 12/2013 Buckan ..... D12/110  
8,827,024 B1 \* 9/2014 Sumi ..... B62M 9/16  
180/227  
D723,429 S \* 3/2015 Hohdorf ..... D12/110

(Continued)

**FOREIGN PATENT DOCUMENTS**

EM 002594143-0001 1/2015

*Primary Examiner* — Philip S Hyder

*Assistant Examiner* — Darlington Ly

(74) *Attorney, Agent, or Firm* — Crowell & Moring LLP

(57) **CLAIM**

The ornamental design for a motorcycle, toy, and/or replicas thereof, as shown and described.

**DESCRIPTION**

This application contains subject matter related to the following co-pending U.S. design patent application: Application Ser. No. 29/512,469, filed Dec. 19, 2014 and entitled "Motorcycle, Toy, and/or Replicas Thereof." FIG. 1 is a left, front perspective view of a motorcycle, toy, and/or replicas thereof according to the design; FIG. 2 is a left side view thereof; FIG. 3 is a right side view thereof; FIG. 4 is a front view thereof; FIG. 5 is a rear view thereof; FIG. 6 is a top view thereof; and, FIG. 7 is a bottom view thereof.

**1 Claim, 7 Drawing Sheets**



# US D755,682 S

Page 2

---

(56)

## References Cited

### U.S. PATENT DOCUMENTS

D735,085 S \* 7/2015 Buckan ..... D12/110  
D736,677 S \* 8/2015 Iimura ..... D12/110

2012/0318598 A1\* 12/2012 Fujiyama ..... B60K 5/12  
180/219  
2015/0101875 A1\* 4/2015 Inayama ..... B60K 13/02  
180/225

\* cited by examiner

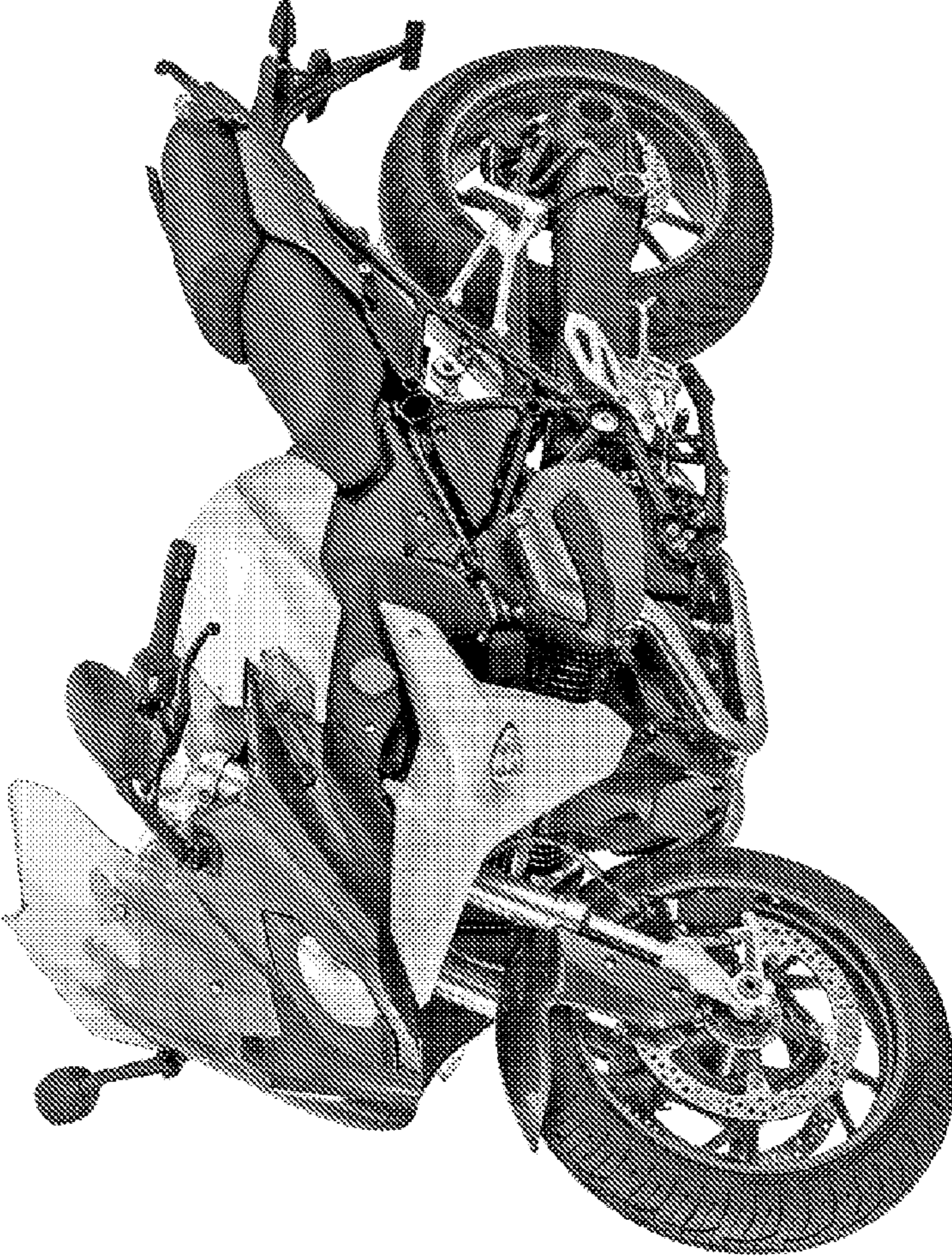


Fig. 1

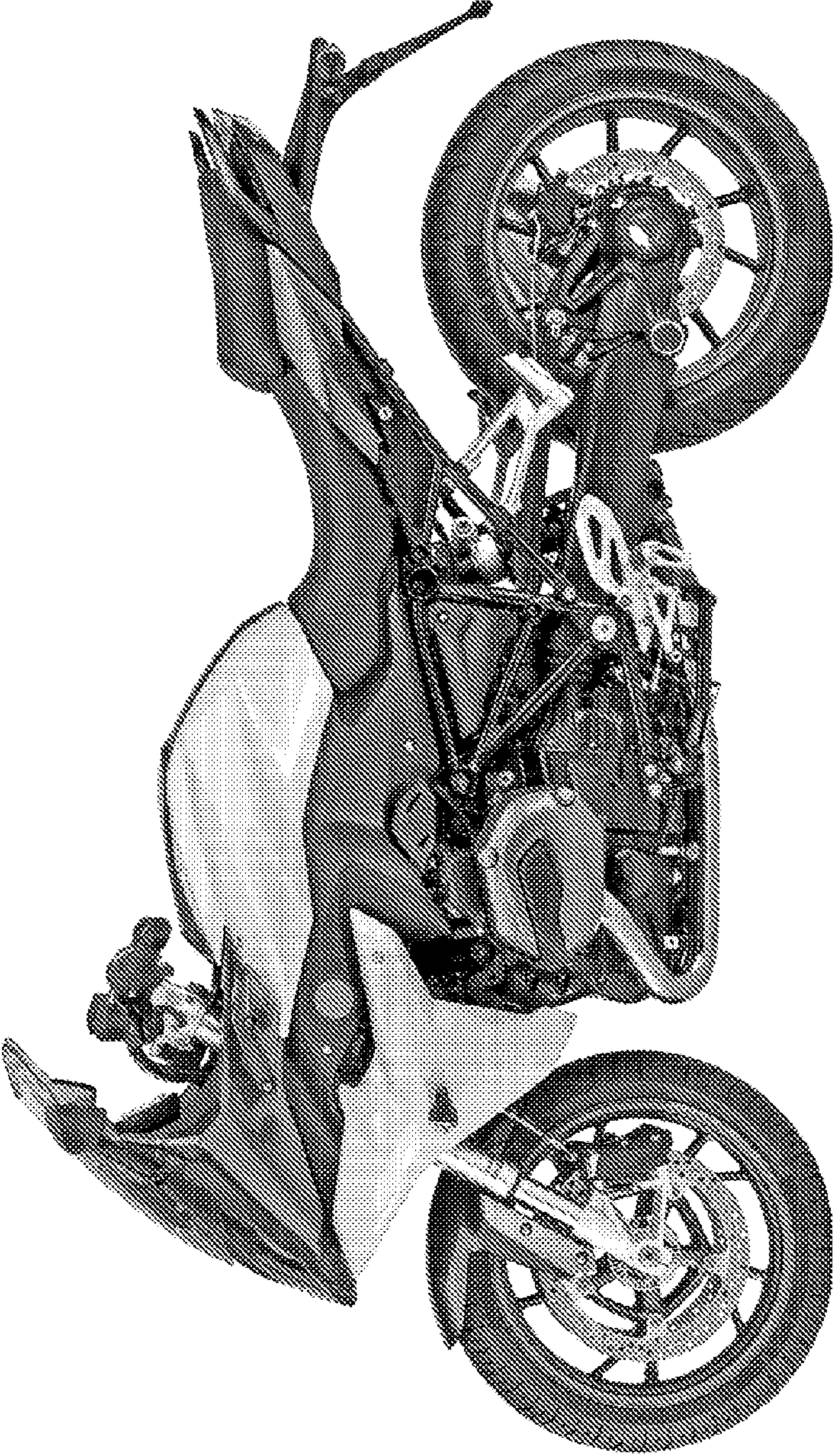


Fig. 2

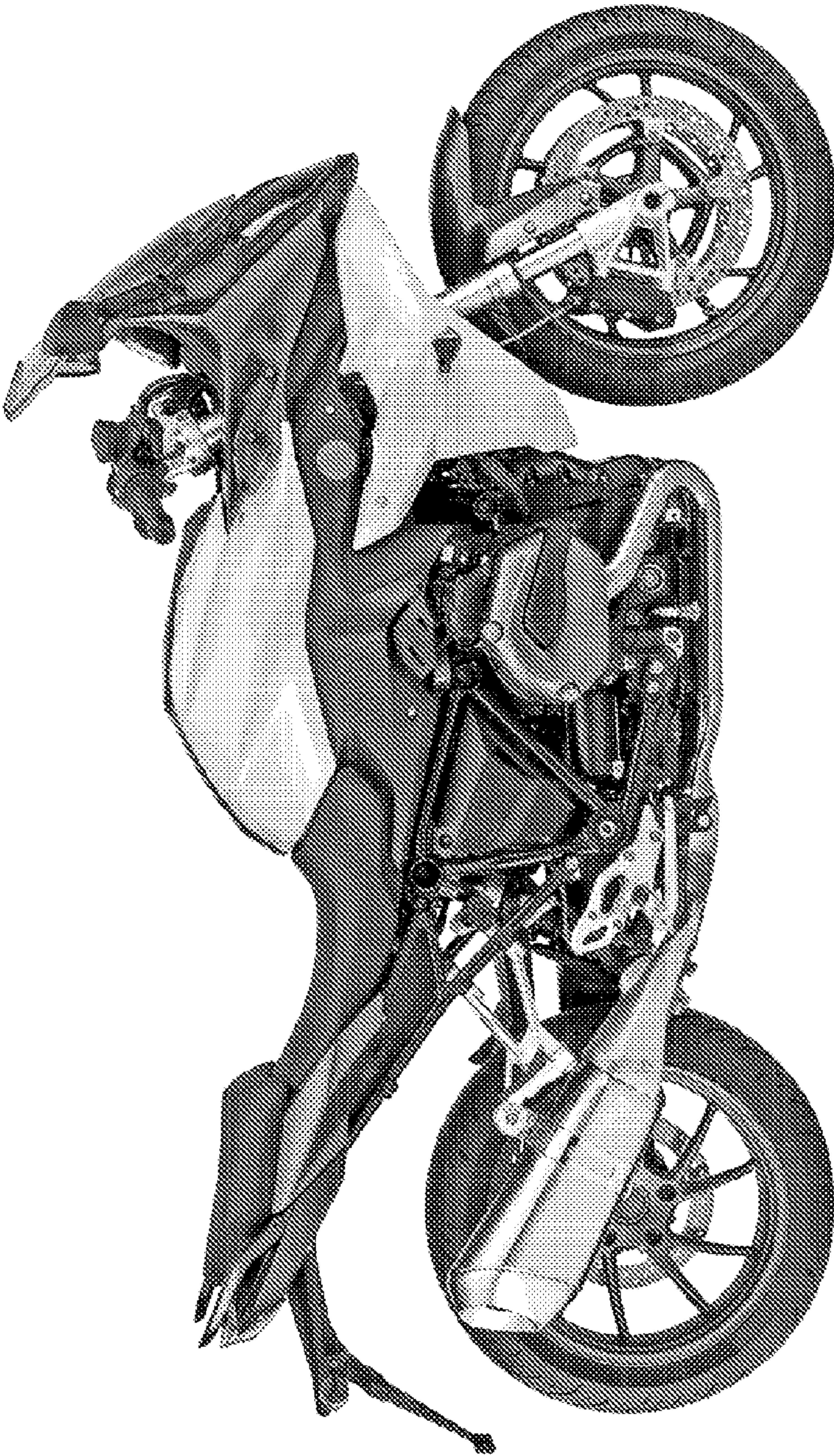


Fig. 3

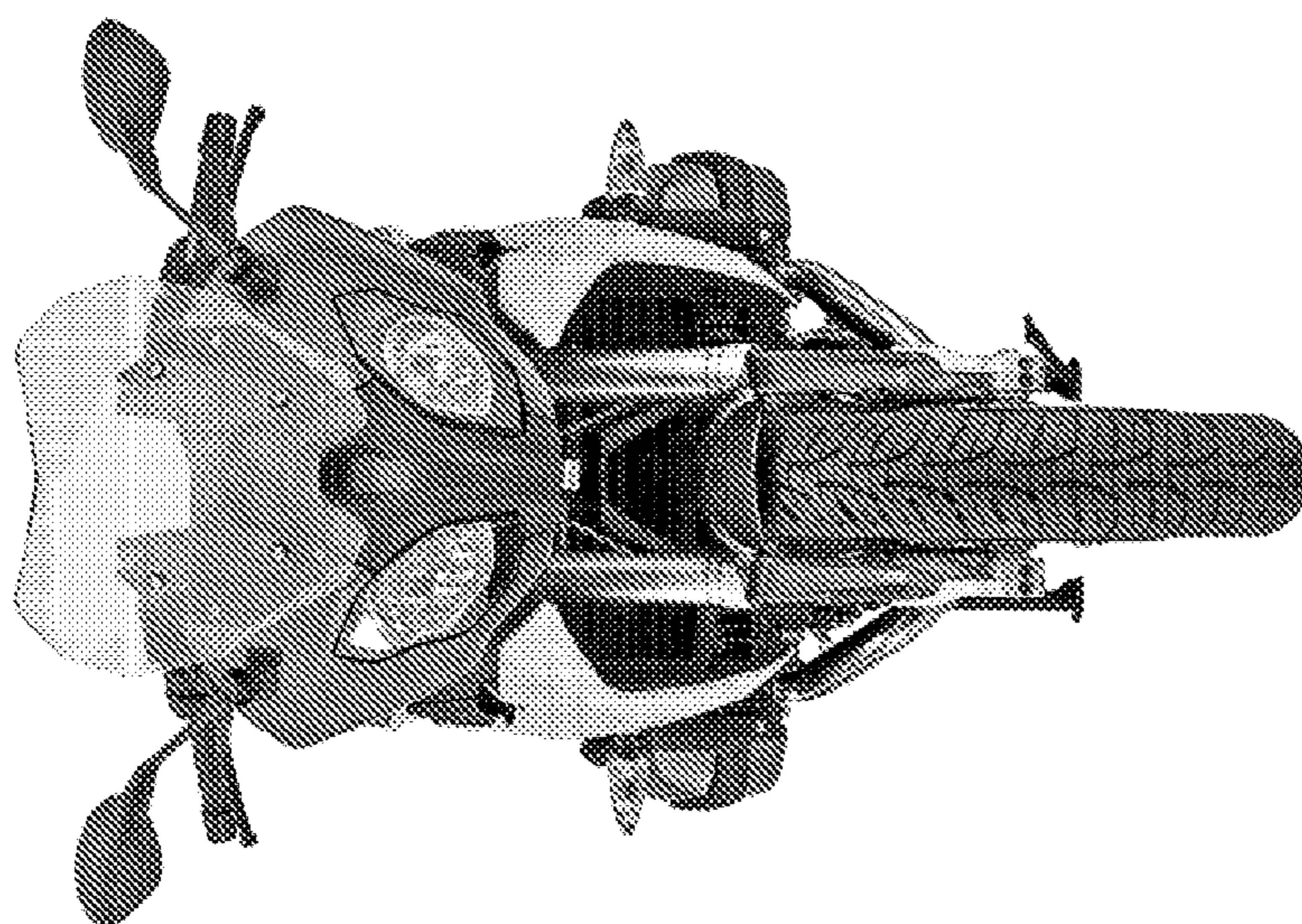


Fig. 4

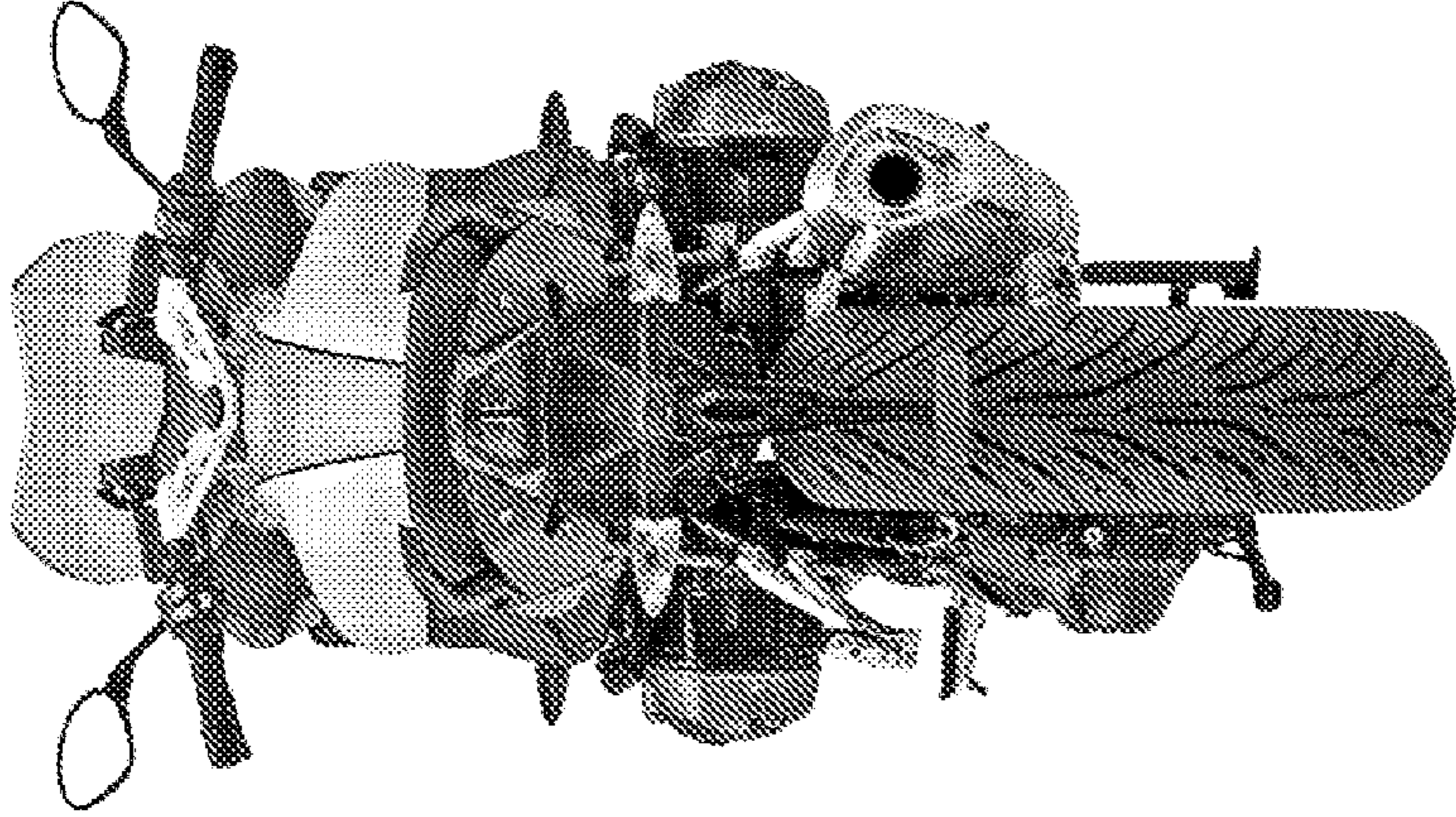


Fig. 5

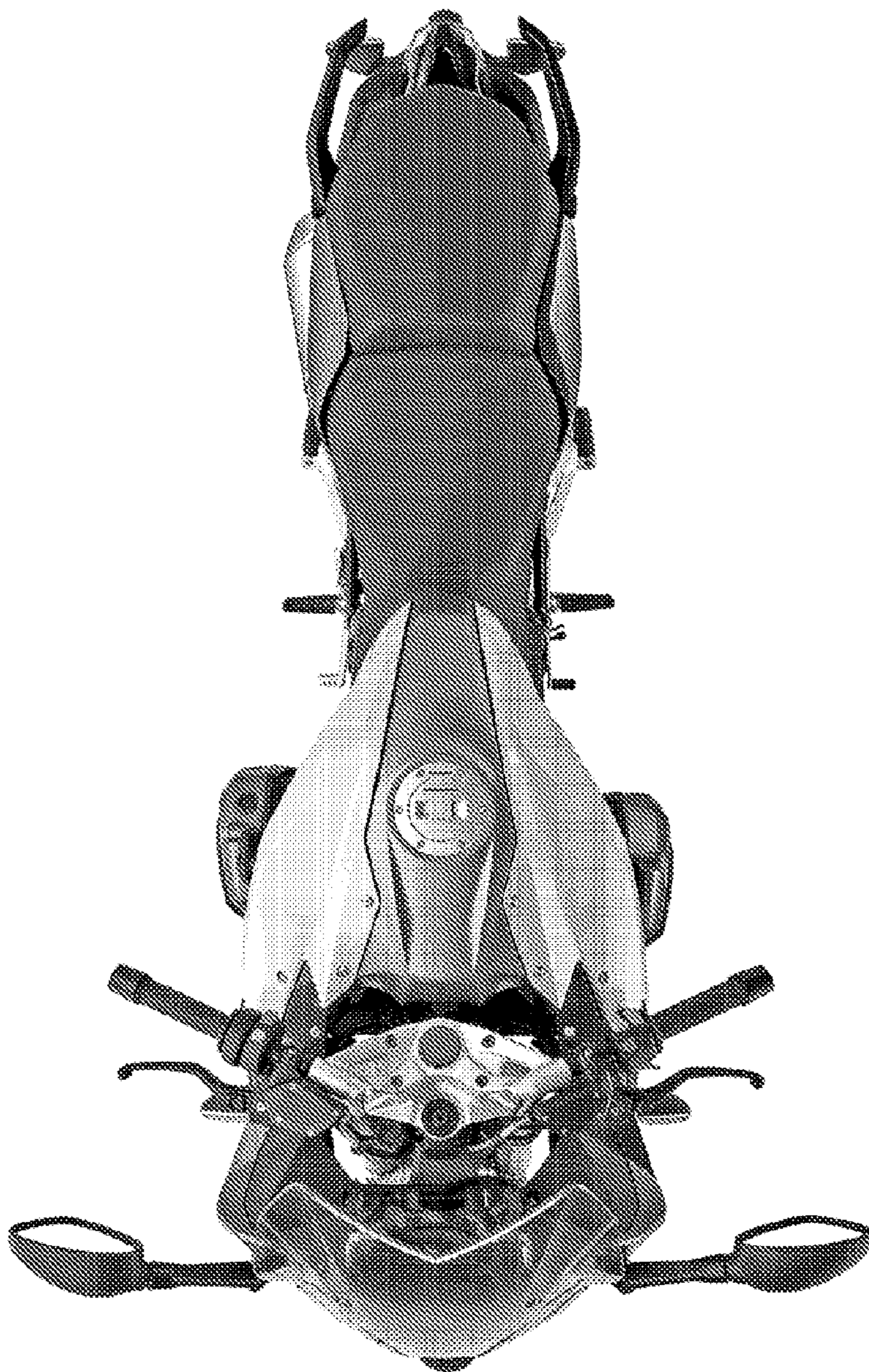


Fig. 6



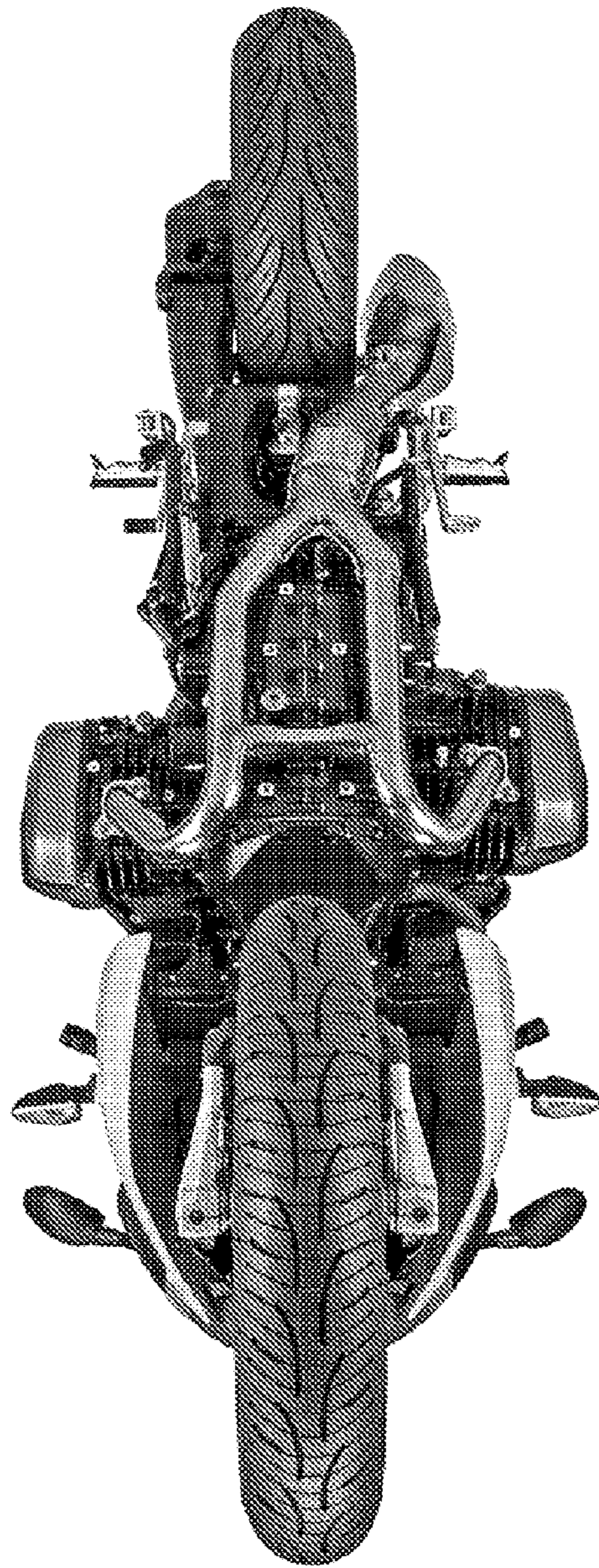


Fig. 7