



US00D755678S

(12) **United States Design Patent**
Nakayama et al.

(10) **Patent No.:** **US D755,678 S**
(45) **Date of Patent:** **** May 10, 2016**

(54) **MOTOR VEHICLE**

(71) Applicant: **MAZDA MOTOR CORPORATION**,
Hiroshima (JP)

(72) Inventors: **Masashi Nakayama**, Hiroshima (JP);
Kousuke Takahashi, Hiroshima (JP);
Masanori Minamisawa, Hiroshima
(JP); **Takanori Tsubaki**, Hiroshima (JP);
Yukiharu Asano, Hiroshima (JP);
Tetsuji Kawakami, Hiroshima (JP)

(73) Assignee: **Mazda Motor Corporation**, Hiroshima
(JP)

(**) Term: **14 Years**

(21) Appl. No.: **29/513,143**

(22) Filed: **Dec. 28, 2014**

(30) **Foreign Application Priority Data**

Jun. 27, 2014 (JP) D2014-014060

(51) **LOC (10) Cl.** **12-08**

(52) **U.S. Cl.**
USPC **D12/92**

(58) **Field of Classification Search**
USPC D12/86, 90, 91, 92, 98; D21/424, 433,
D21/434; 296/37.6, 181.1, 181.5, 183.1
CPC B62D 25/00; B62D 25/06; B62D 25/08;
B62D 33/00; B62D 35/00
See application file for complete search history.

(56) **References Cited**

U.S. PATENT DOCUMENTS

D449,254 S * 10/2001 Larson D12/92
D497,327 S * 10/2004 Lai D12/92
D547,698 S * 7/2007 Kulla D12/92
D551,120 S * 9/2007 De Bruijn D12/92

D553,051 S * 10/2007 Chung D12/91
D553,052 S * 10/2007 Hettler D12/92
D553,544 S * 10/2007 Rothman D12/92
D564,945 S * 3/2008 Chung D12/92
D637,112 S * 5/2011 Saracoglu D12/92
D641,665 S * 7/2011 Larson D12/92
D647,432 S * 10/2011 Zheng D12/92
D659,593 S * 5/2012 Robinson D12/92
D661,227 S * 6/2012 Varga D12/92

(Continued)

FOREIGN PATENT DOCUMENTS

EM 000977384-0001 8/2008
JP 1247441 S 8/2005

OTHER PUBLICATIONS

Printout of website of Mazda Motor Corporation for news release;
Mazda Motor Corporation; Jul. 18, 2000; <http://www.mazda.com/jp/publicity/release/2000/200007/0718c.html>.

Primary Examiner — Philip S Hyder

Assistant Examiner — Darlington Ly

(74) *Attorney, Agent, or Firm* — Studebaker & Brackett PC

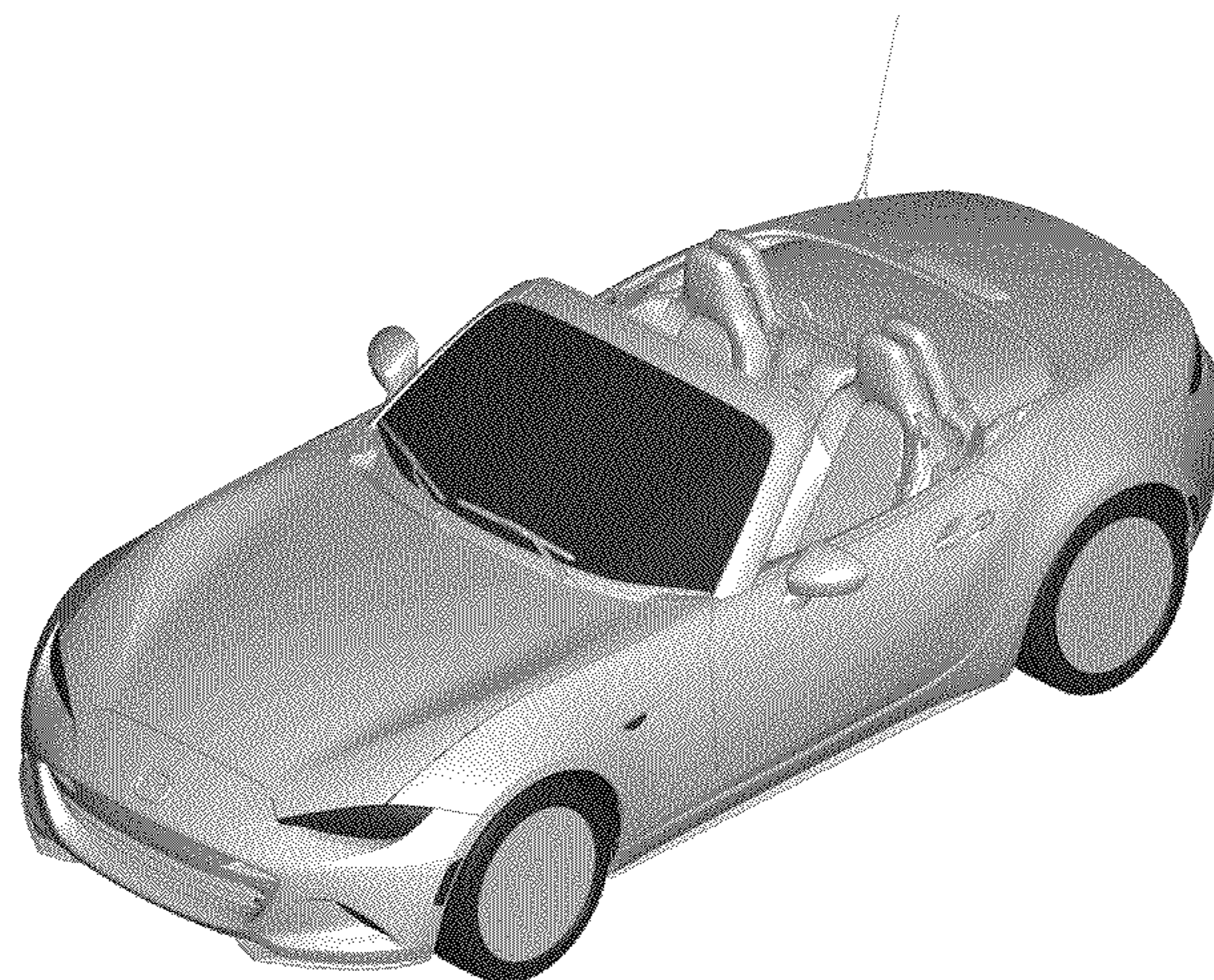
(57) **CLAIM**

The ornamental design for a motor vehicle, as shown and described.

DESCRIPTION

FIG. 1 is a top, front and left side perspective view of the motor vehicle showing our new design;
FIG. 2 is a front and left side perspective view thereof;
FIG. 3 is a top, rear and right side perspective view thereof;
FIG. 4 is a rear and right side perspective view thereof;
FIG. 5 is a left side elevation view thereof;
FIG. 6 is a right side elevation view thereof;
FIG. 7 is a front elevation view thereof;
FIG. 8 is a rear elevation view thereof; and,
FIG. 9 is a top plan view thereof.

1 Claim, 5 Drawing Sheets



(56)

References Cited

U.S. PATENT DOCUMENTS

D664,475 S * 7/2012 Takahashi D12/92
D669,001 S * 10/2012 Varga D12/92
D685,679 S * 7/2013 Van Braeckel D12/92
D695,149 S * 12/2013 Bauer D12/91

D704,099 S * 5/2014 Varga D12/92
D704,101 S * 5/2014 Beaven D12/92
D704,596 S * 5/2014 Saracoglu D12/92
D736,674 S * 8/2015 Larson D12/92
D740,177 S * 10/2015 Callum D12/92
D741,226 S * 10/2015 Callum D12/92

* cited by examiner

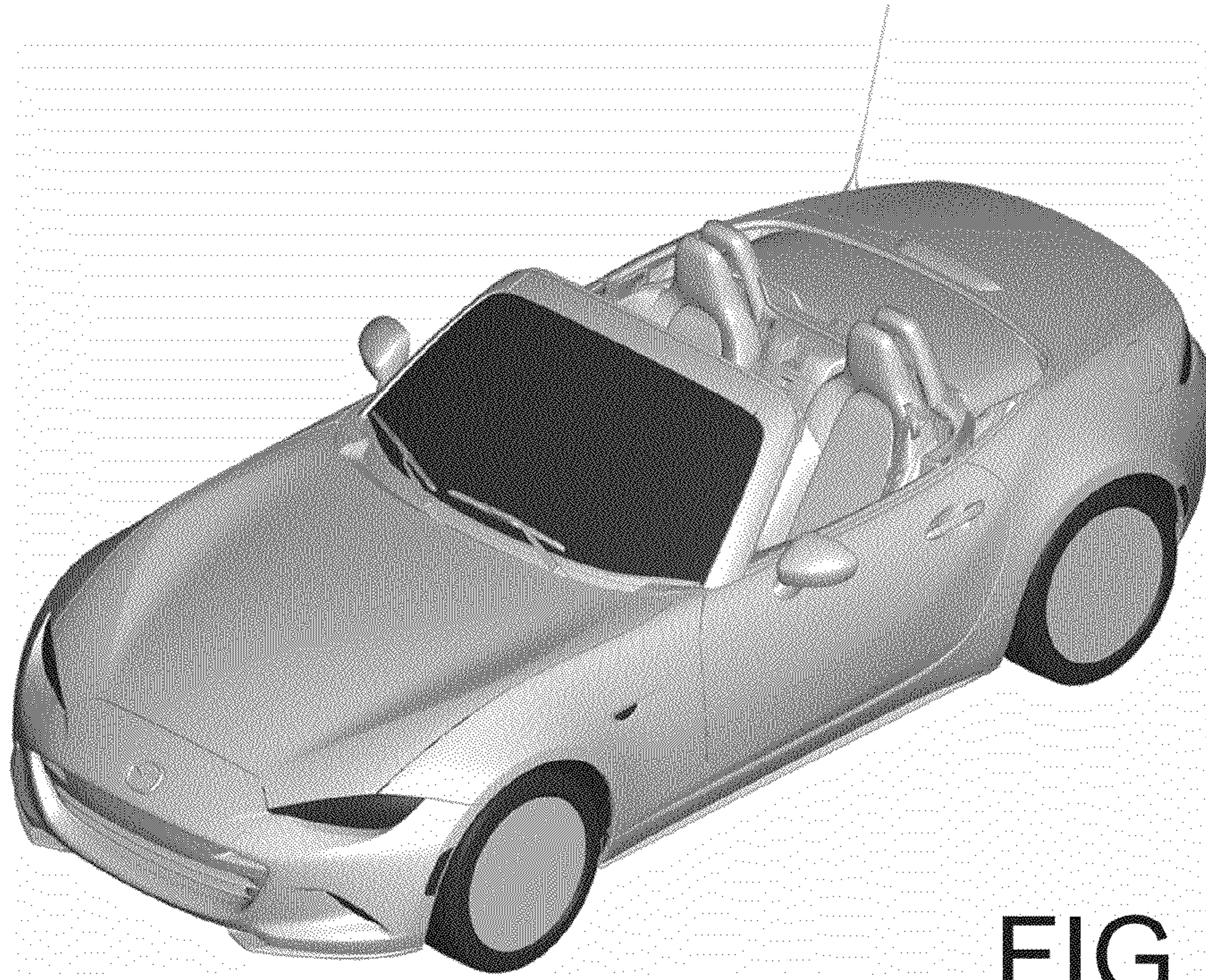


FIG.1

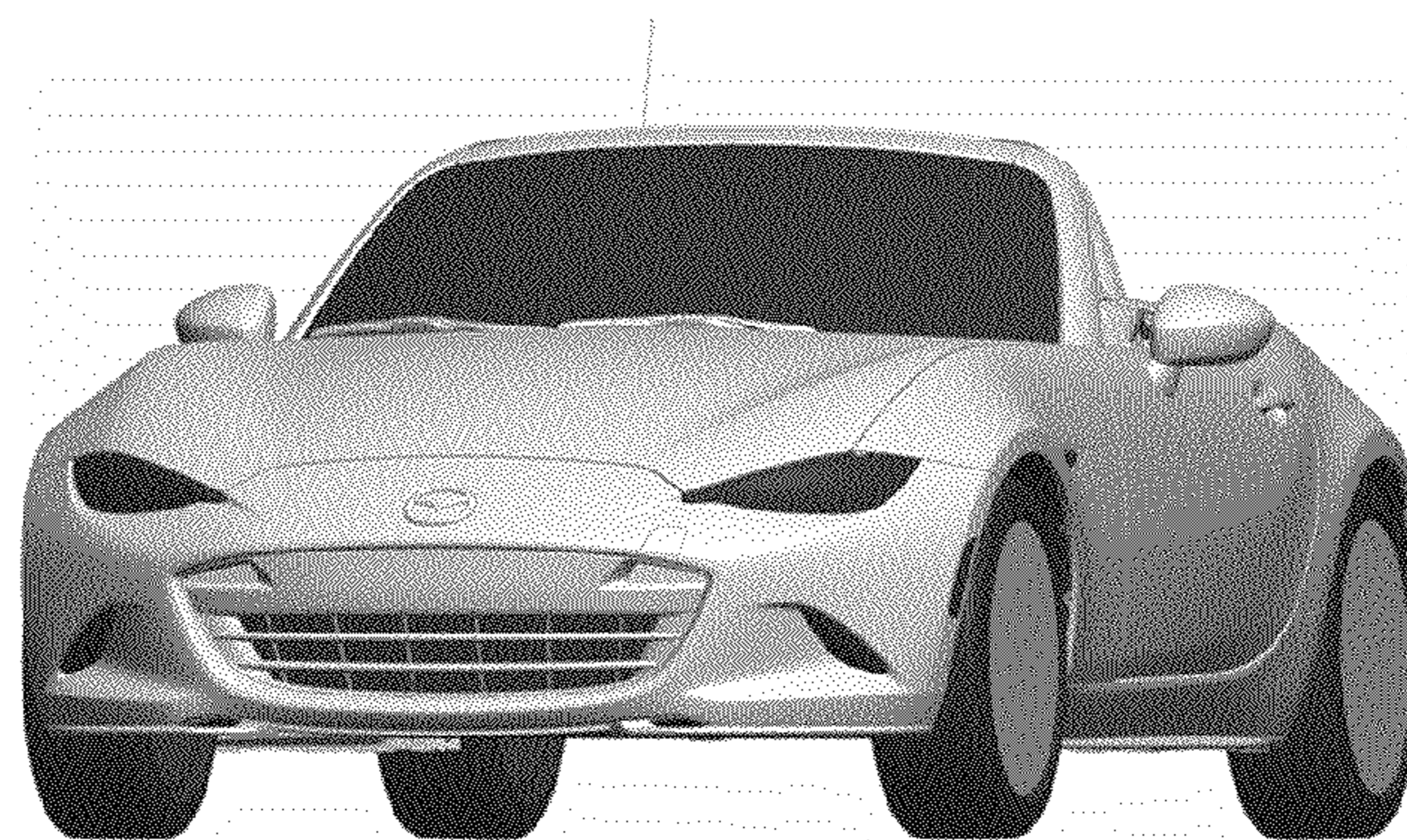


FIG.2

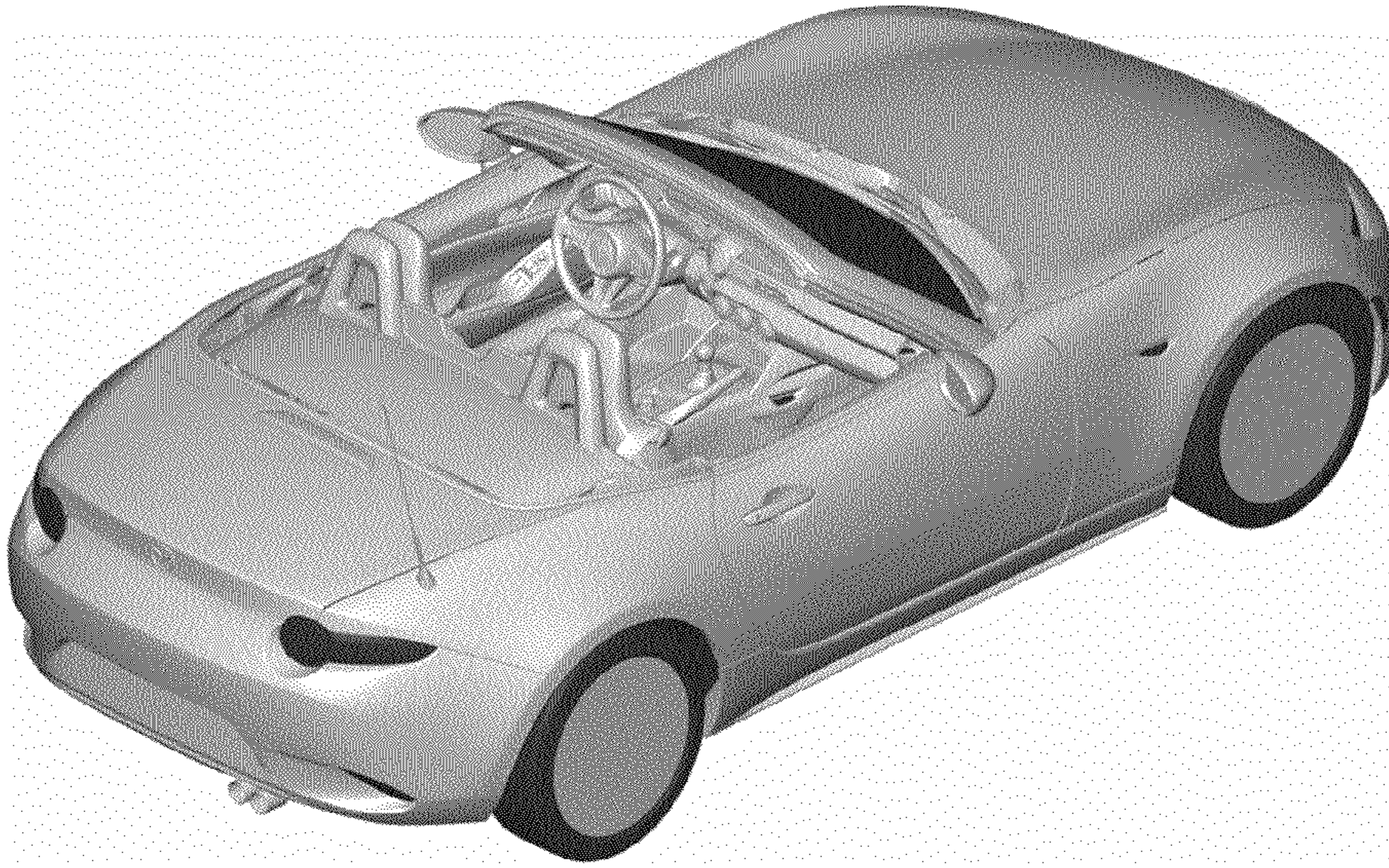


FIG.3

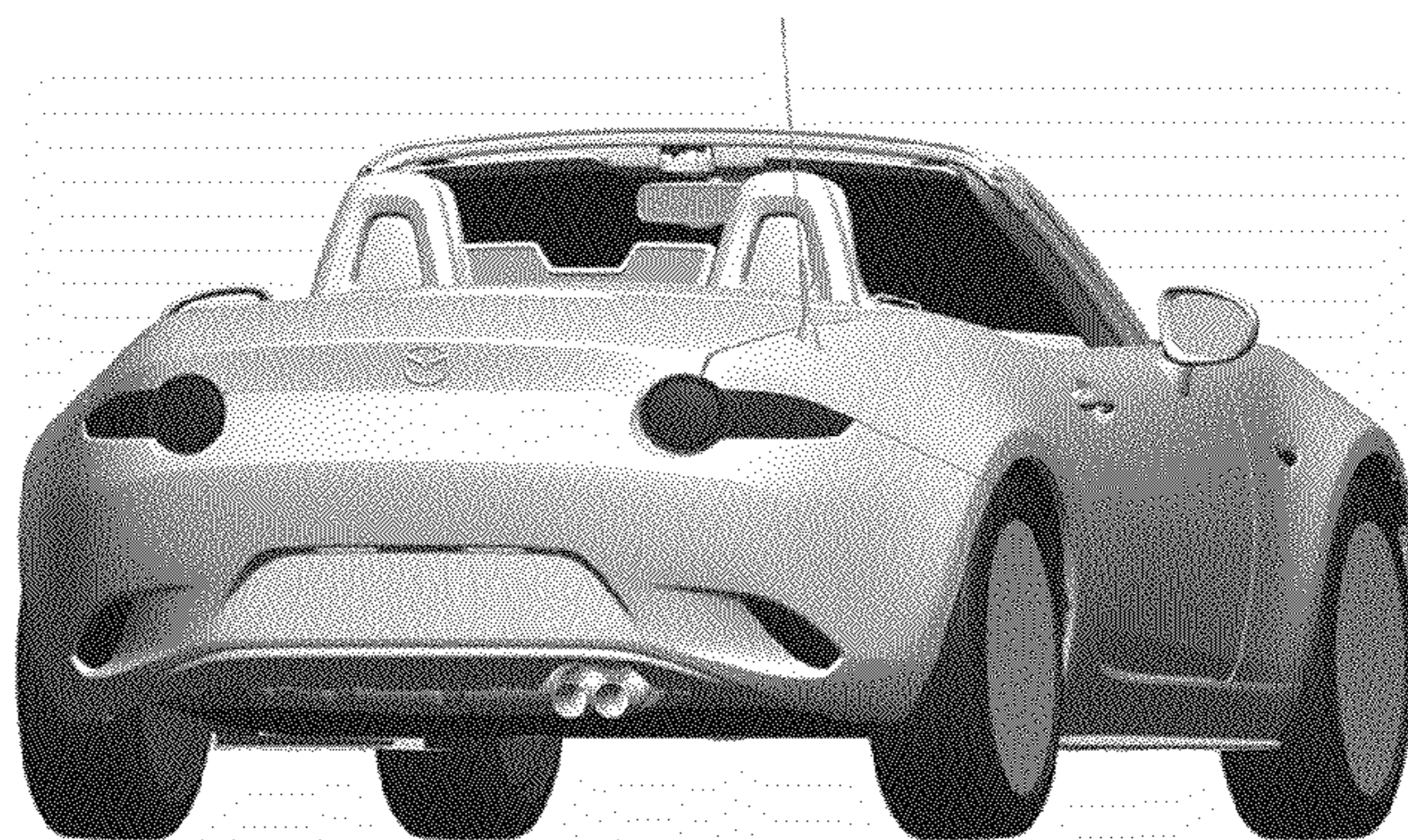


FIG.4

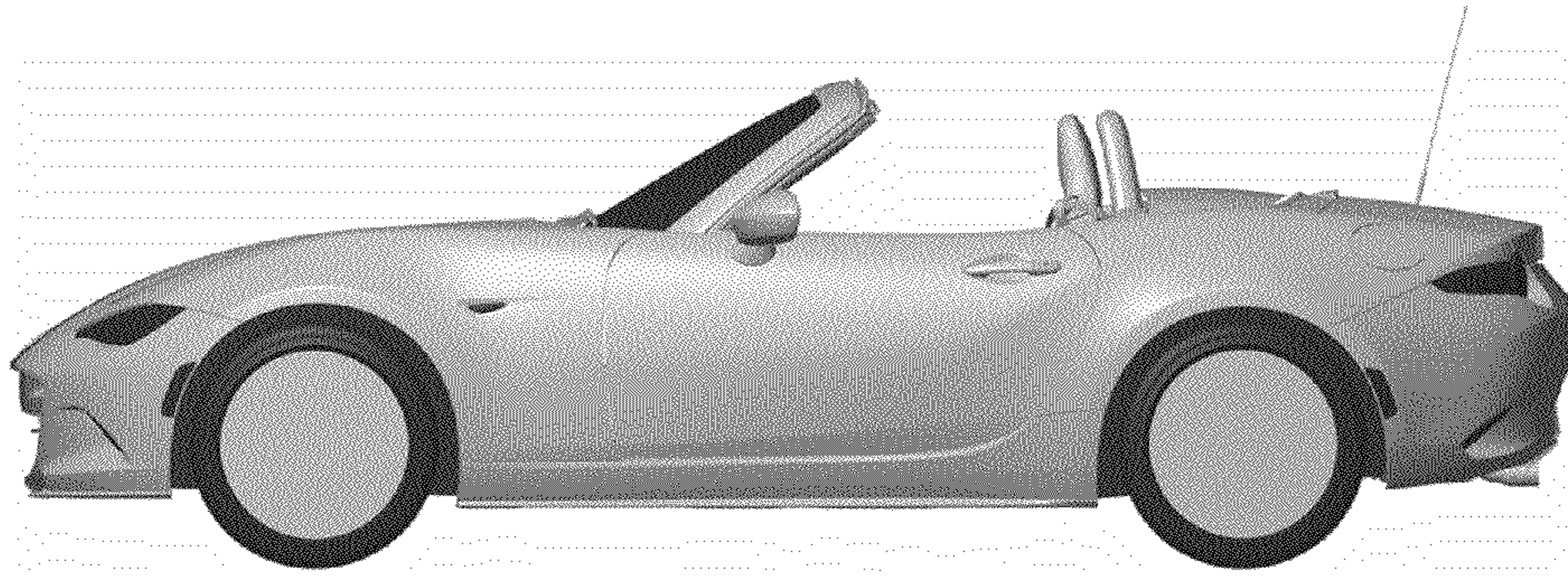


FIG.5

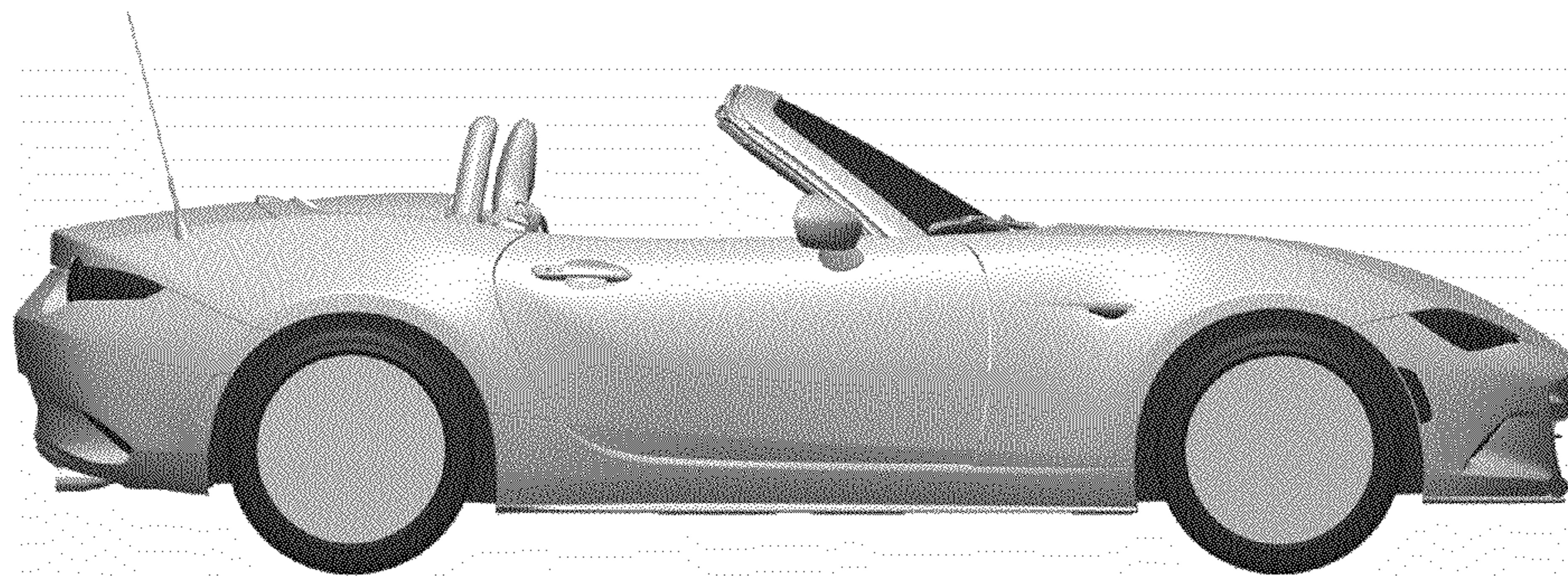


FIG.6

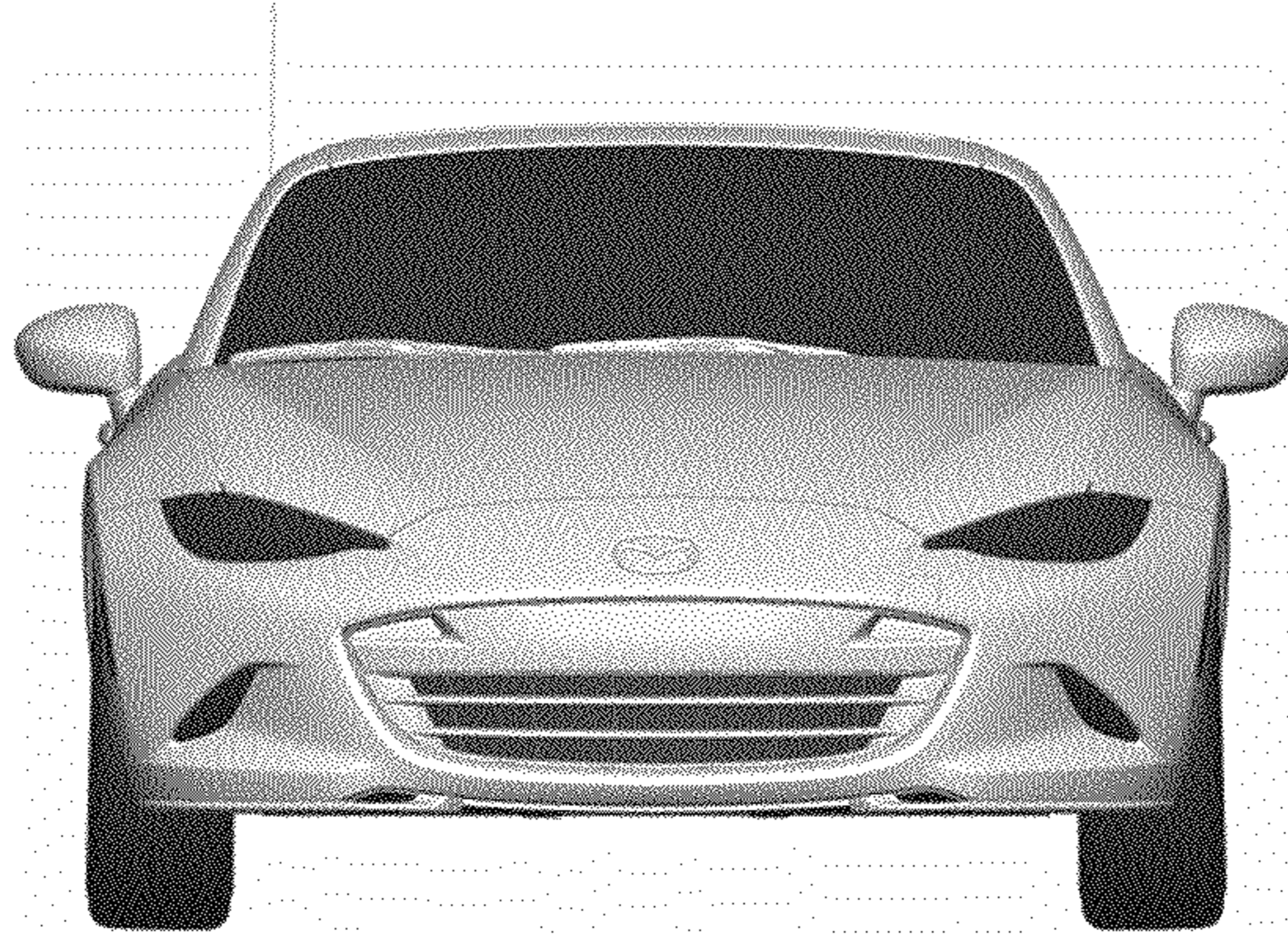


FIG.7

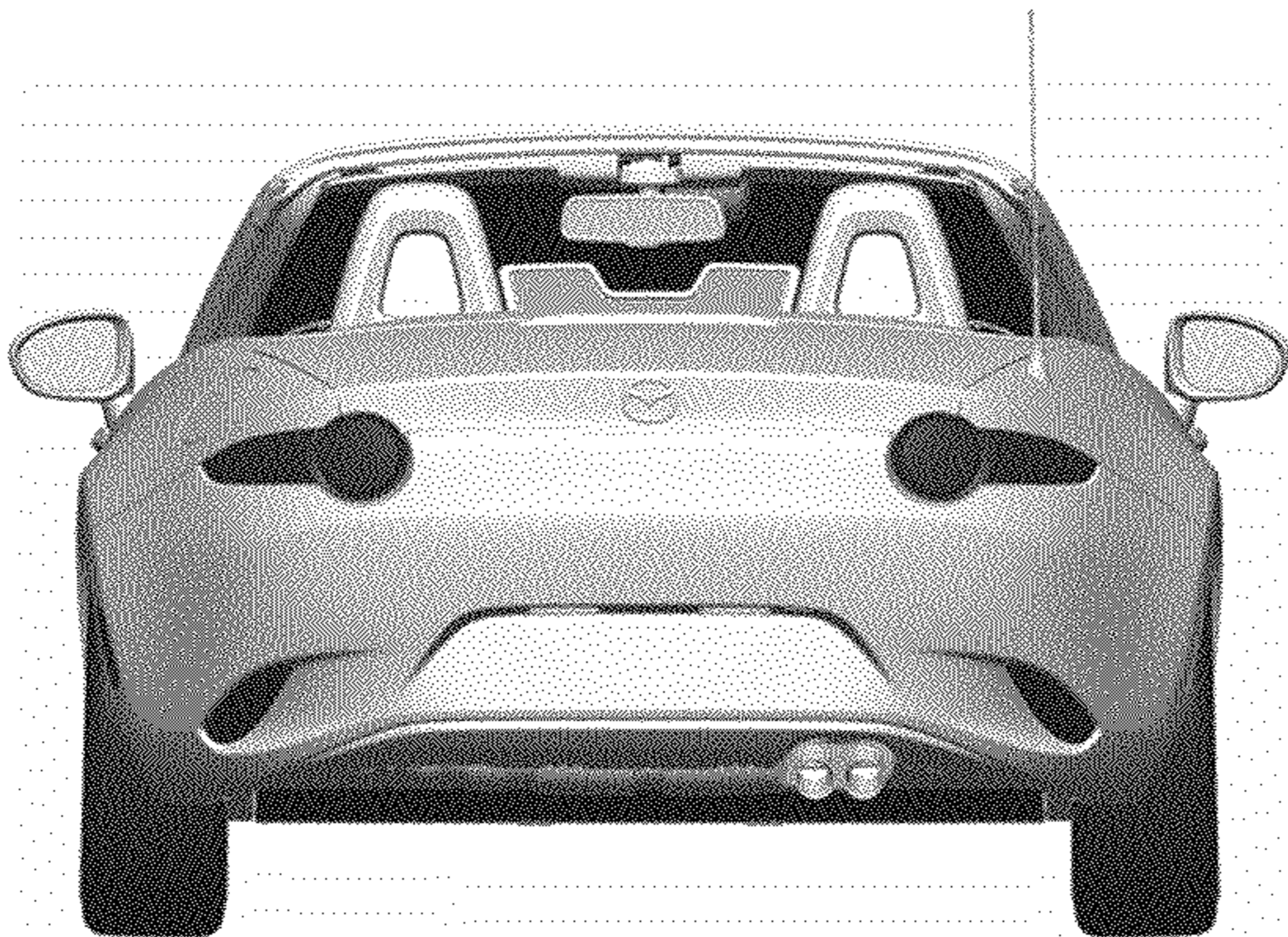


FIG.8

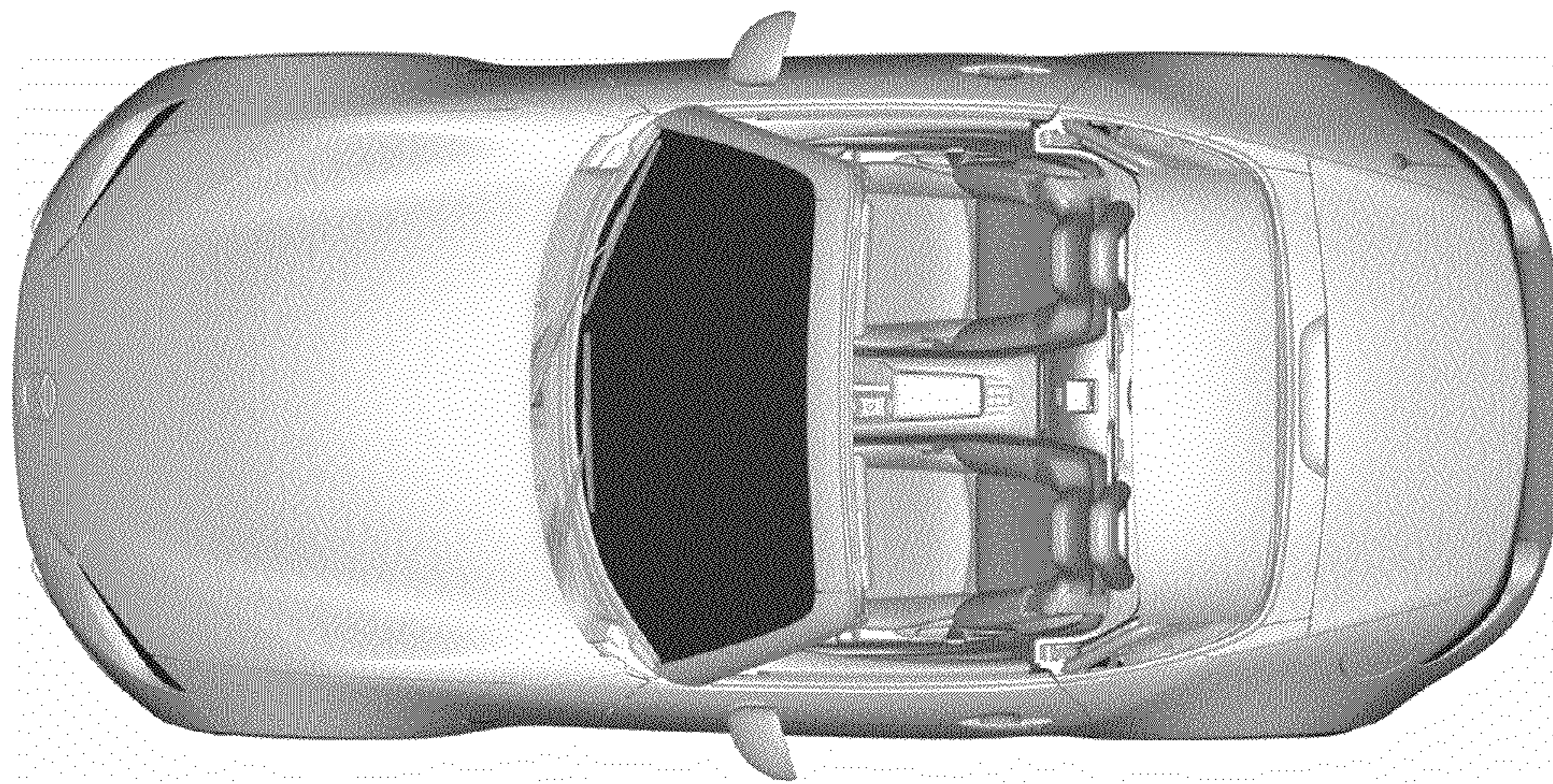


FIG.9