



US00D755677S

(12) **United States Design Patent**
Stopka

(10) **Patent No.:** **US D755,677 S**
(45) **Date of Patent:** **** May 10, 2016**

(54) **CONVERTIBLE MOTOR VEHICLE, TOY AND/OR REPLICA**

D673,484 S 1/2013 Robinson
D684,896 S 6/2013 Scheinhutte
D701,146 S * 3/2014 Varga D12/92
D704,099 S * 5/2014 Varga D12/92

(71) Applicant: **Dr. Ing. h.c. F. Porsche Aktiengesellschaft**, Stuttgart (DE)

(Continued)

(72) Inventor: **Thomas Stopka**, Stuttgart (DE)

Primary Examiner — Melody N Brown

(73) Assignee: **Dr. Ing. h.c.F. Porsche Aktiengesellschaft** (DE)

(74) *Attorney, Agent, or Firm* — Gerald E. Hespos; Michael J. Porco; Matthew T. Hespos

(**) Term: **14 Years**

(57) **CLAIM**

The ornamental design of a convertible motor vehicle, toy and/or replica, as shown and described.

(21) Appl. No.: **29/480,454**

DESCRIPTION

(22) Filed: **Jan. 27, 2014**

(30) **Foreign Application Priority Data**

Jul. 26, 2013 (DE) 40 2013 100 760

(51) **LOC (10) Cl.** **12-08**

(52) **U.S. Cl.**
USPC **D12/92**

(58) **Field of Classification Search**
USPC D12/86, 90–92; D21/421, 433, 434;
296/181.1, 181.5

CPC B62D 35/00; B62D 25/00; B62D 25/06;
B62D 25/08; B62D 33/00

See application file for complete search history.

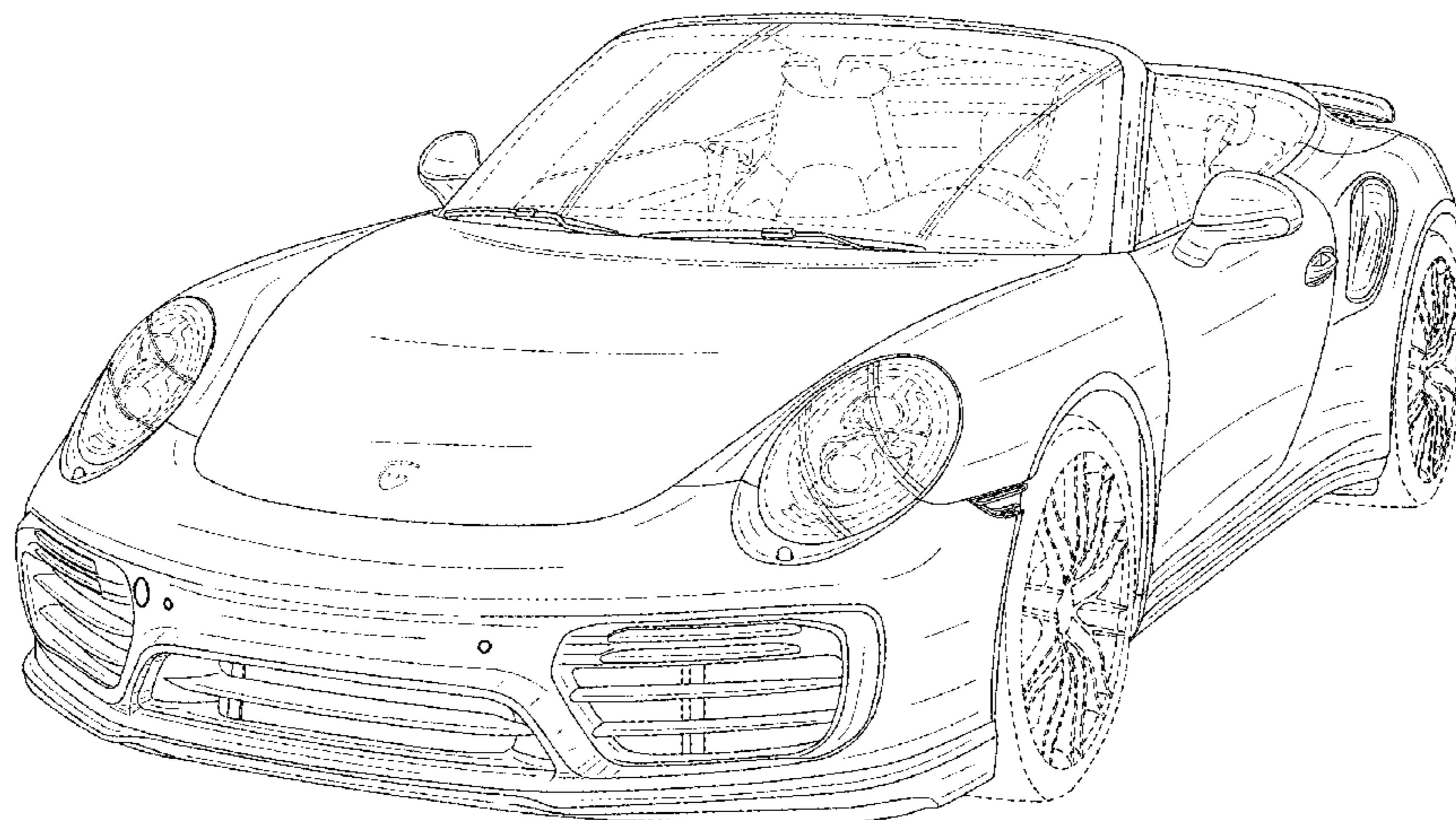
(56) **References Cited**

U.S. PATENT DOCUMENTS

D651,134 S 12/2011 Kulla et al.
D651,135 S 12/2011 Varga
D651,944 S * 1/2012 Steinmetz D12/92
D659,593 S 5/2012 Robinson
D661,226 S 6/2012 Varga
D661,227 S 6/2012 Varga
D661,228 S * 6/2012 Armbruster D12/92
D663,239 S * 7/2012 Saracoglu D12/92
D663,240 S 7/2012 Scheinhutte
D669,001 S 10/2012 Varga

FIG. 1 is a front and side perspective of a convertible motor vehicle, toy and/or replica in accordance with my design with the top thereof down;
FIG. 2 is a top plan view thereof with the top thereof down;
FIG. 3 is a bottom plan view thereof;
FIG. 4 is a side elevational view taken from the left side in FIG. 1;
FIG. 5 is a side elevational view taken from the right side in FIG. 1;
FIG. 6 is a front elevational view thereof with the top thereof down;
FIG. 7 is a rear elevational view thereof with the top thereof down;
FIG. 8 is a top plan view thereof with the top thereof up;
FIG. 9 is a left side elevational view similar to FIG. 4, but showing the top up;
FIG. 10 is a right side elevational view similar to FIG. 5, but showing the top up;
FIG. 11 is a front elevational view thereof with the top thereof up; and,
FIG. 12 is a rear elevational view thereof with the top thereof up.
The broken lines are for illustrative purposes only and form no part of the claimed design.

1 Claim, 12 Drawing Sheets



(56)

References Cited

U.S. PATENT DOCUMENTS

D704,596 S * 5/2014 Saracoglu D12/92
D705,131 S * 5/2014 Larson D12/92

D718,663 S * 12/2014 Robinson D12/92
D718,664 S * 12/2014 Robinson D12/92
D719,066 S * 12/2014 Schramm D12/92

* cited by examiner

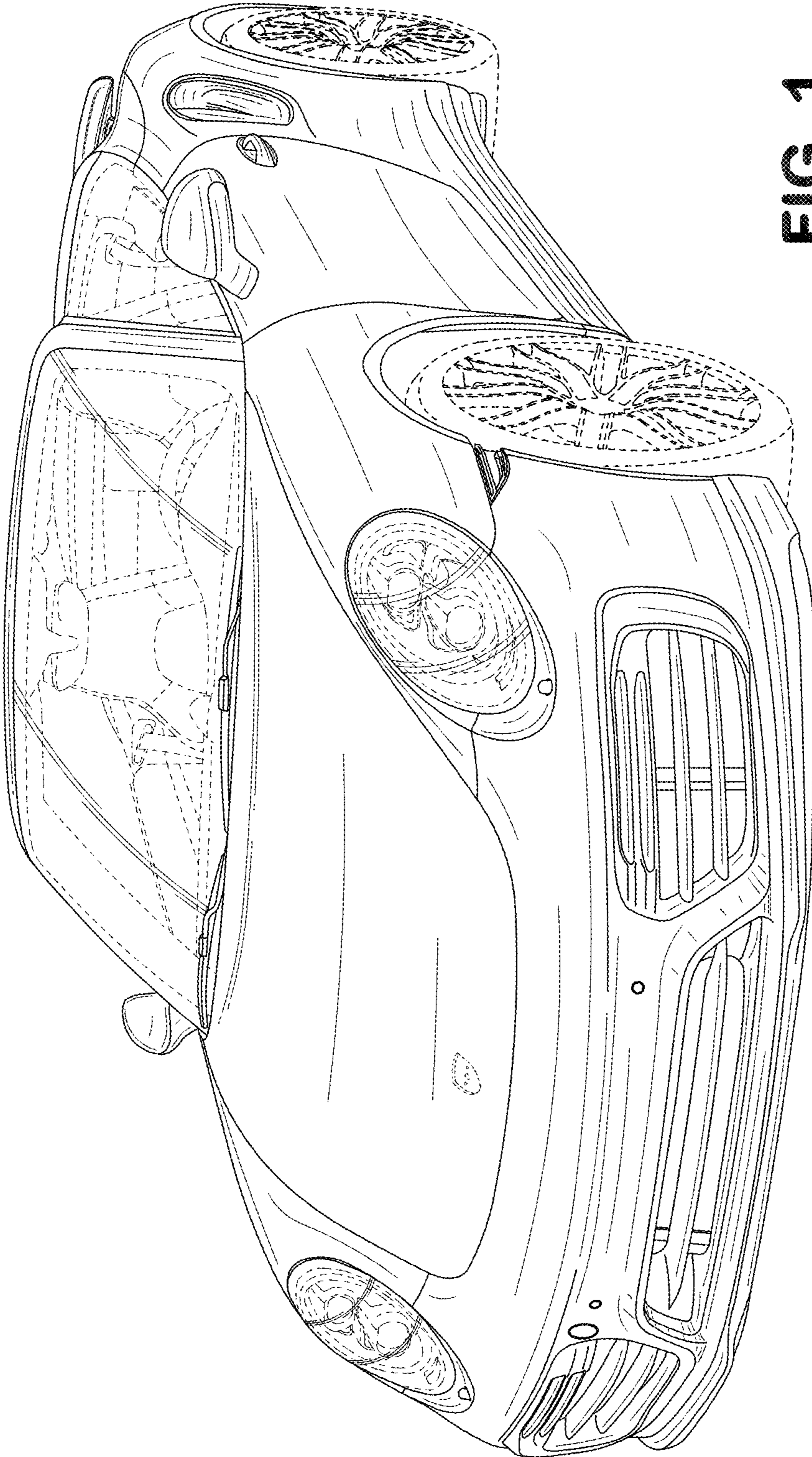


FIG. 1

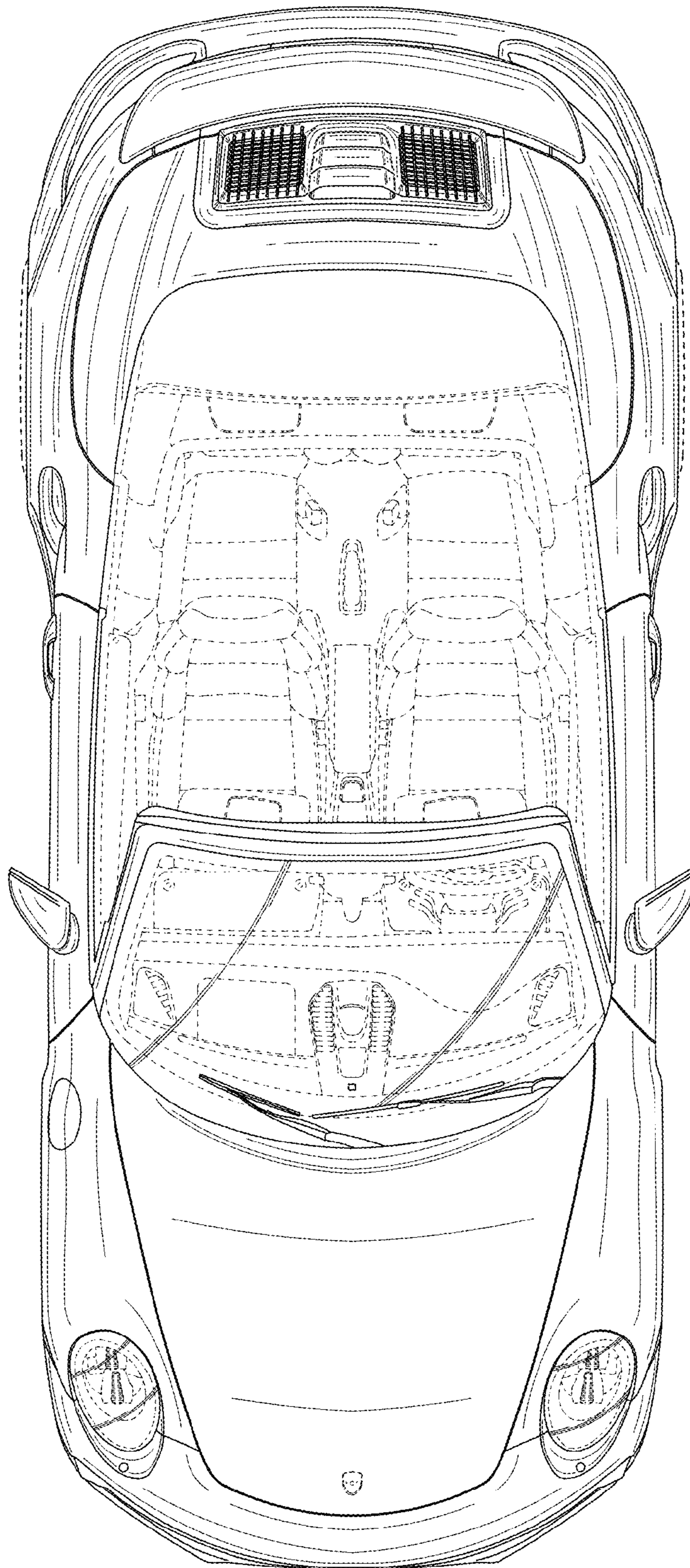


FIG. 2

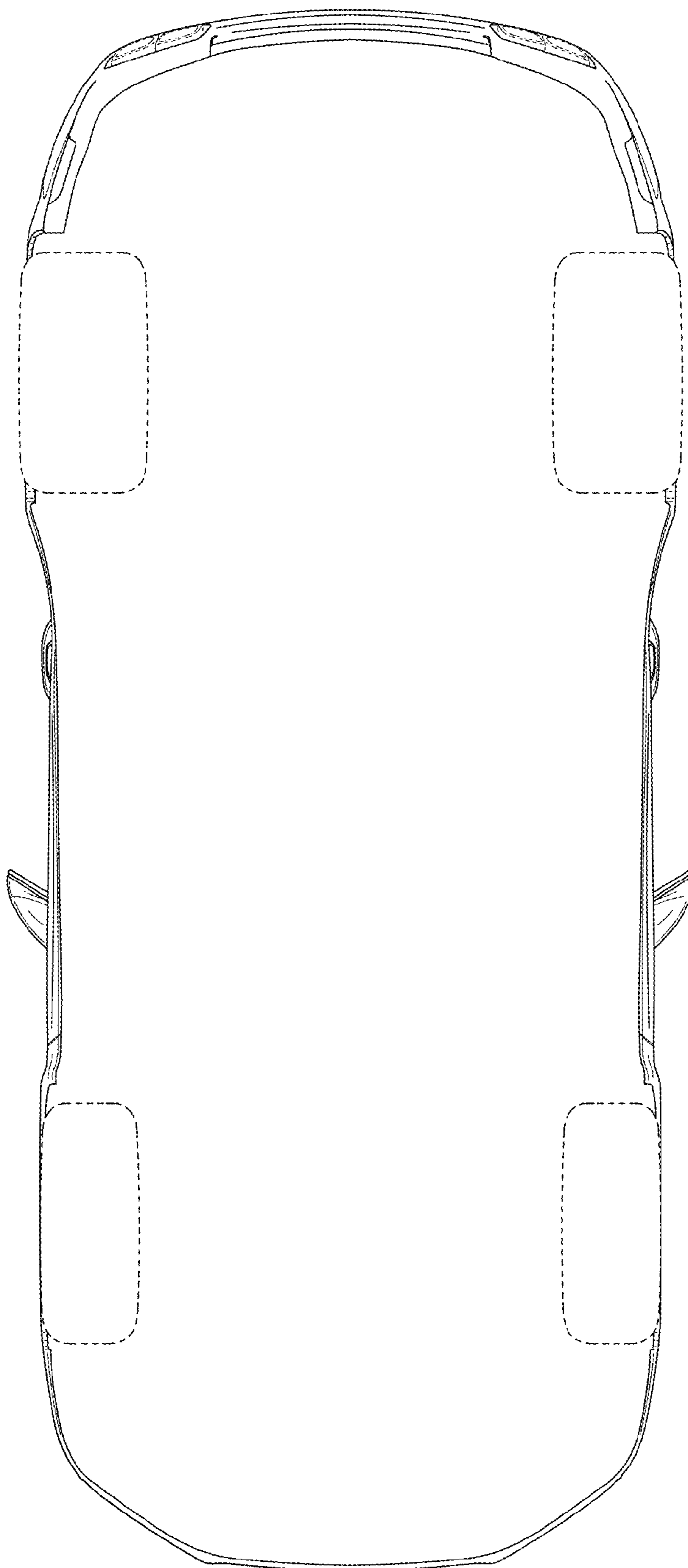


FIG. 3

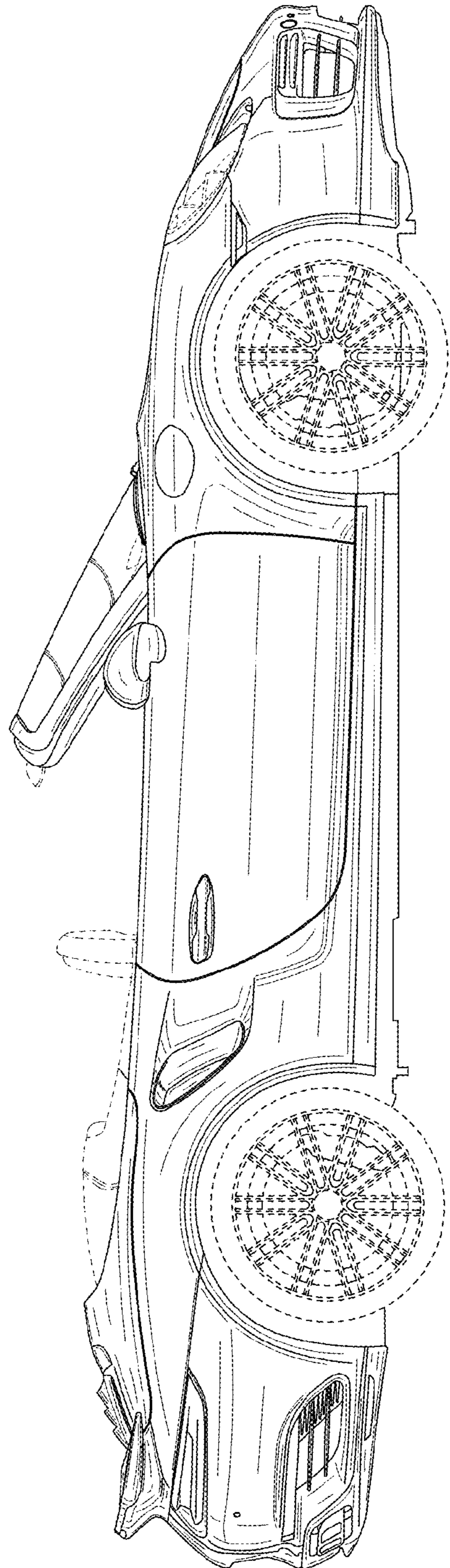


FIG. 4

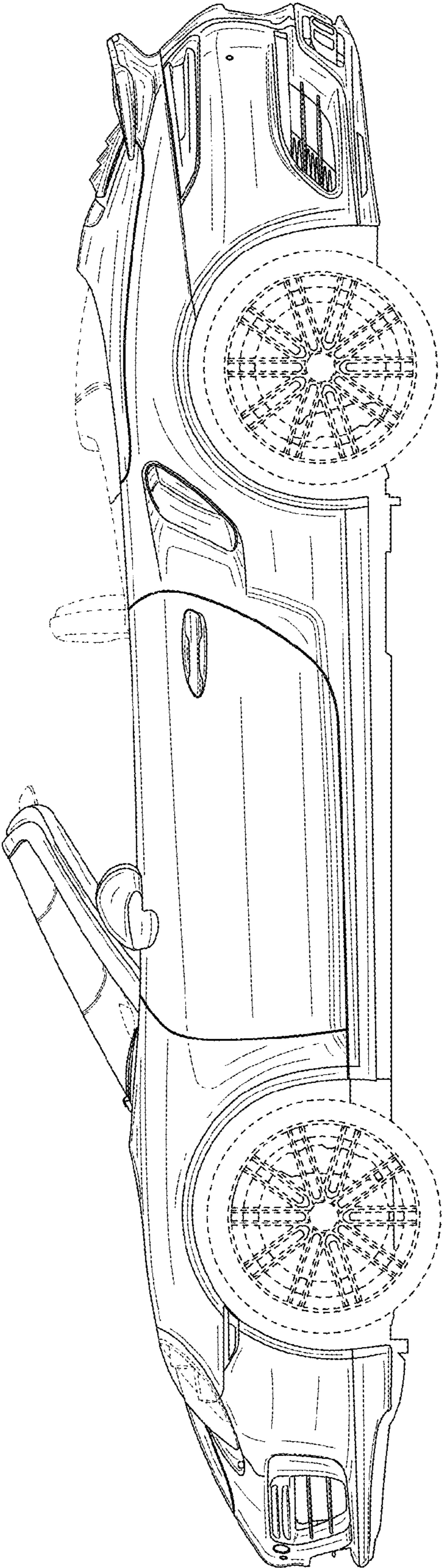


FIG. 5

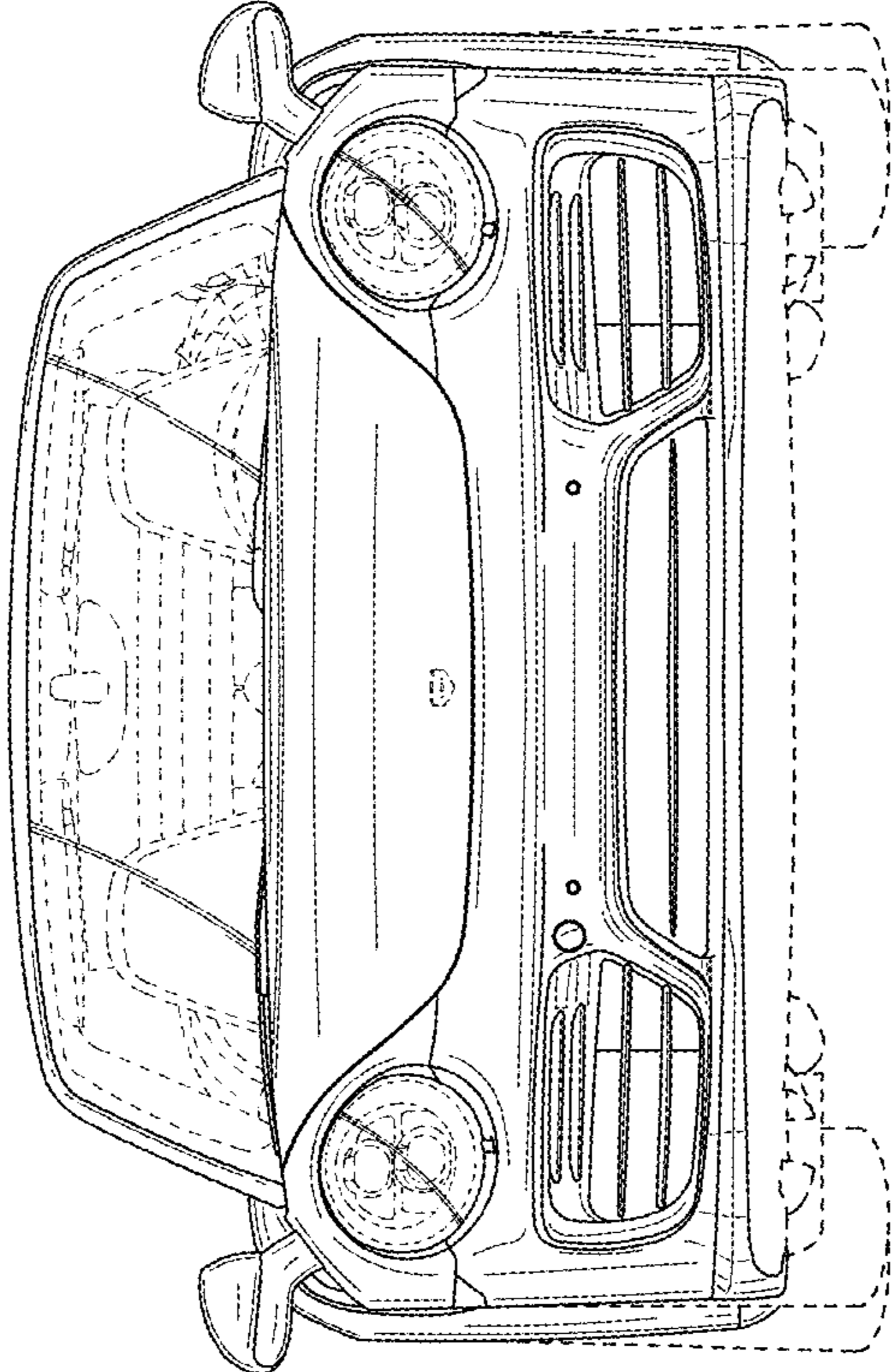


FIG. 6

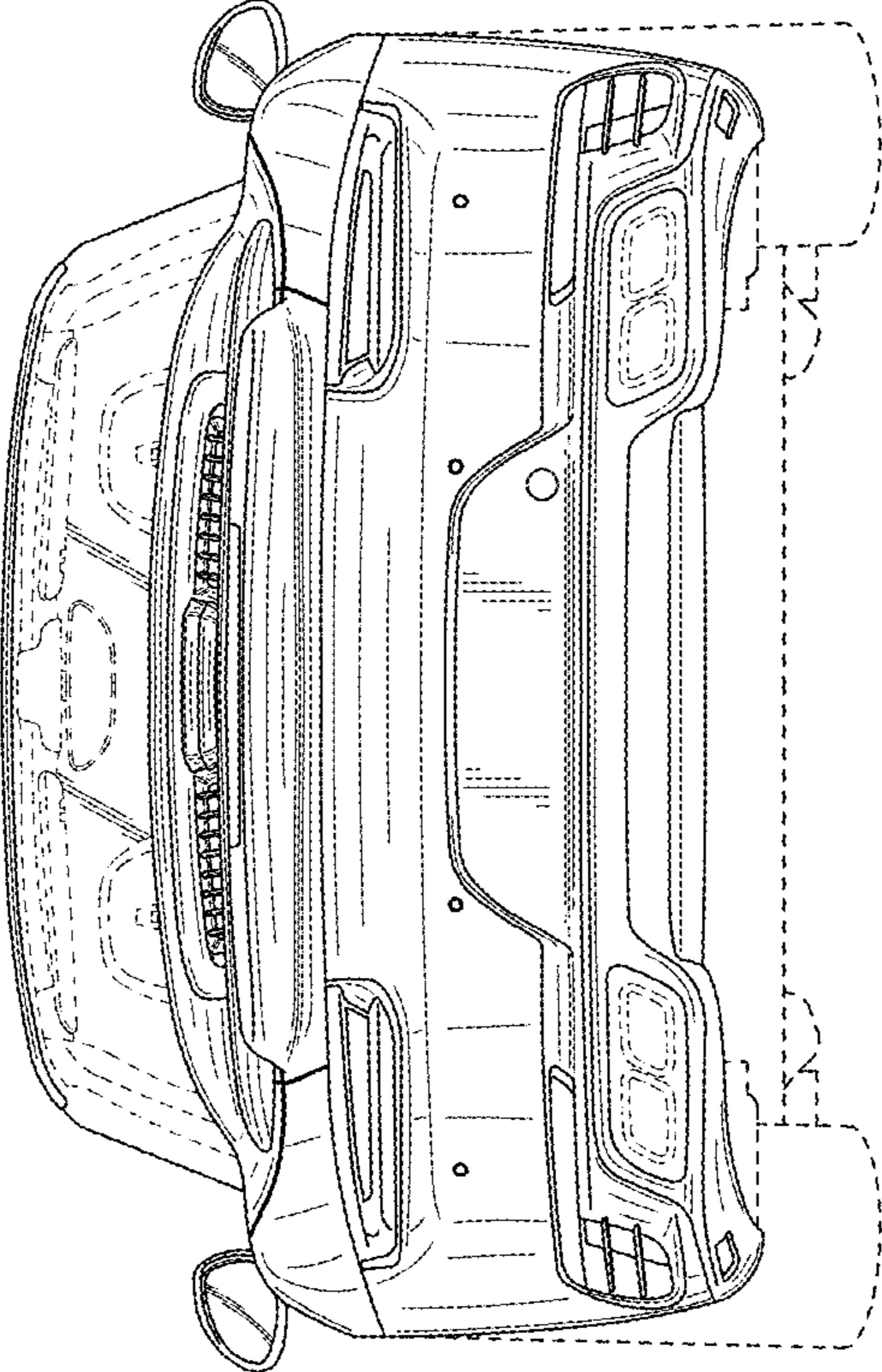


FIG. 7

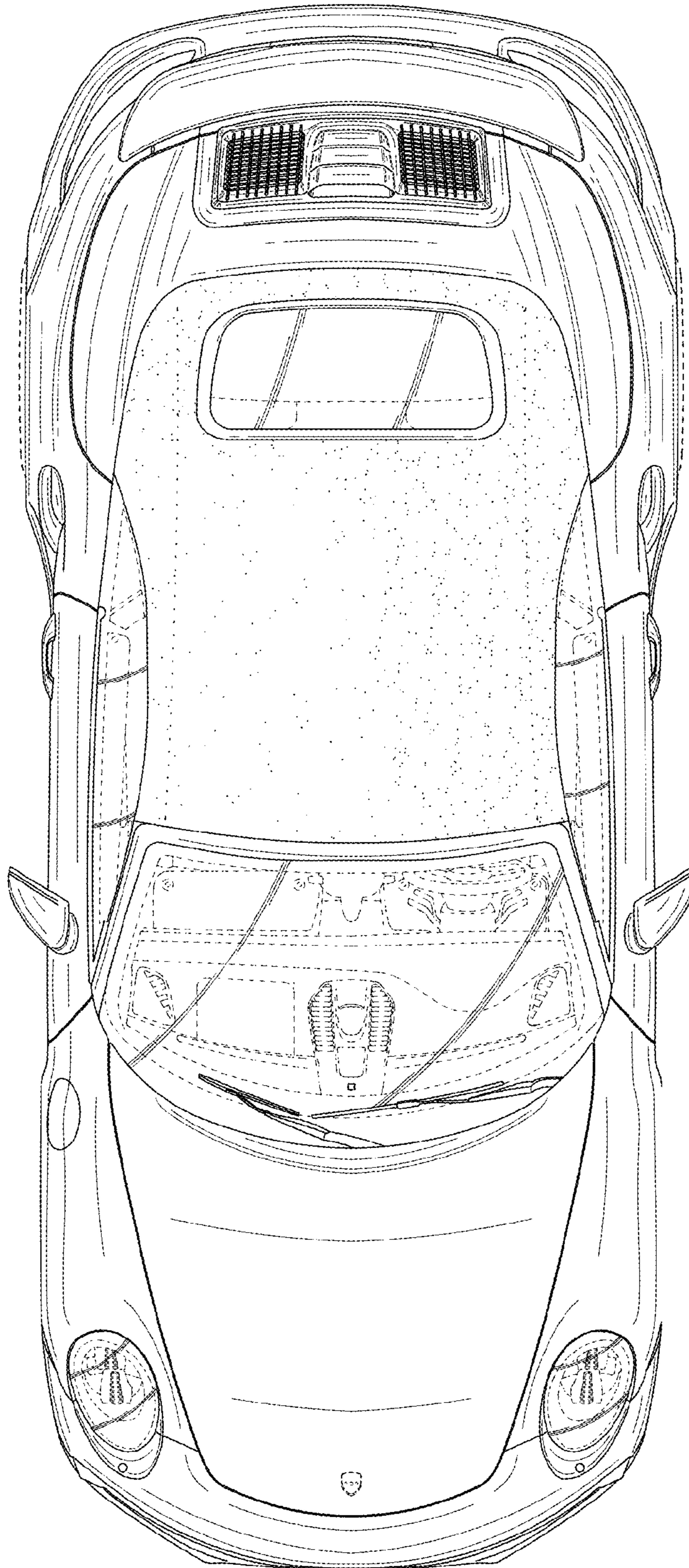


FIG. 8

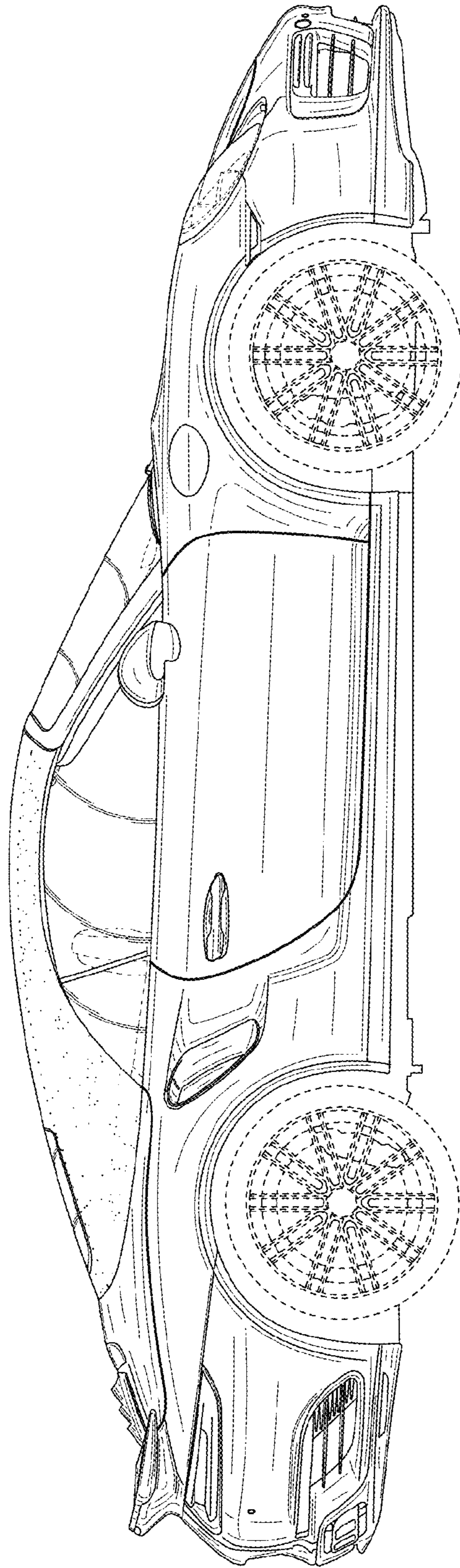


FIG. 9

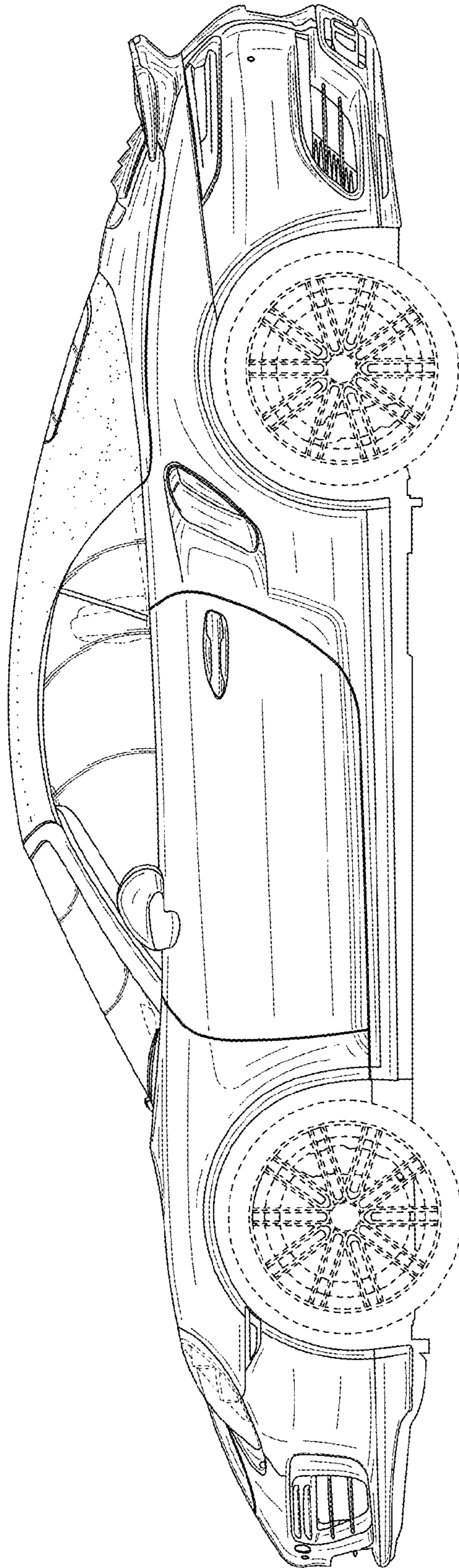


FIG. 10

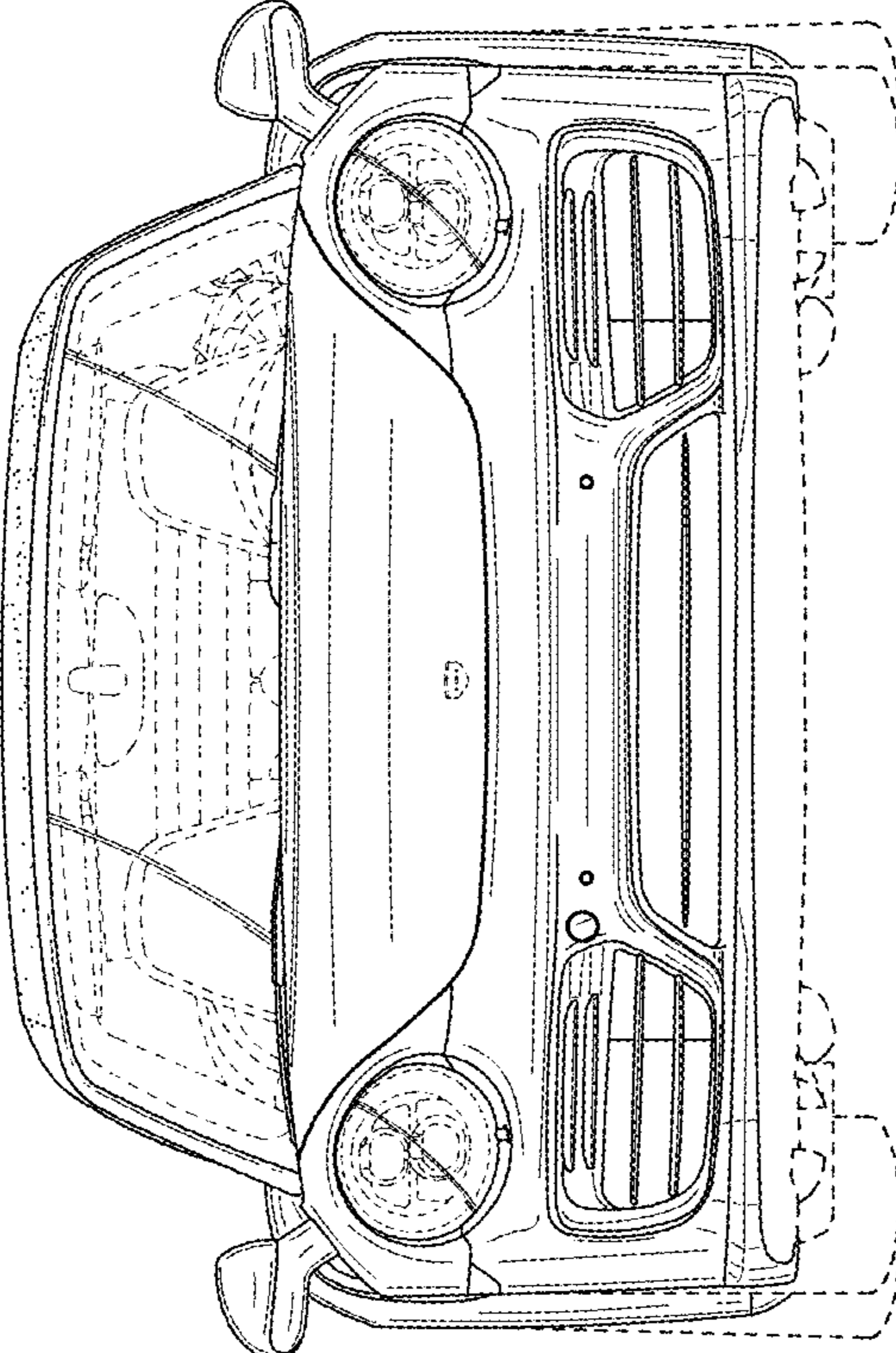


FIG. 11

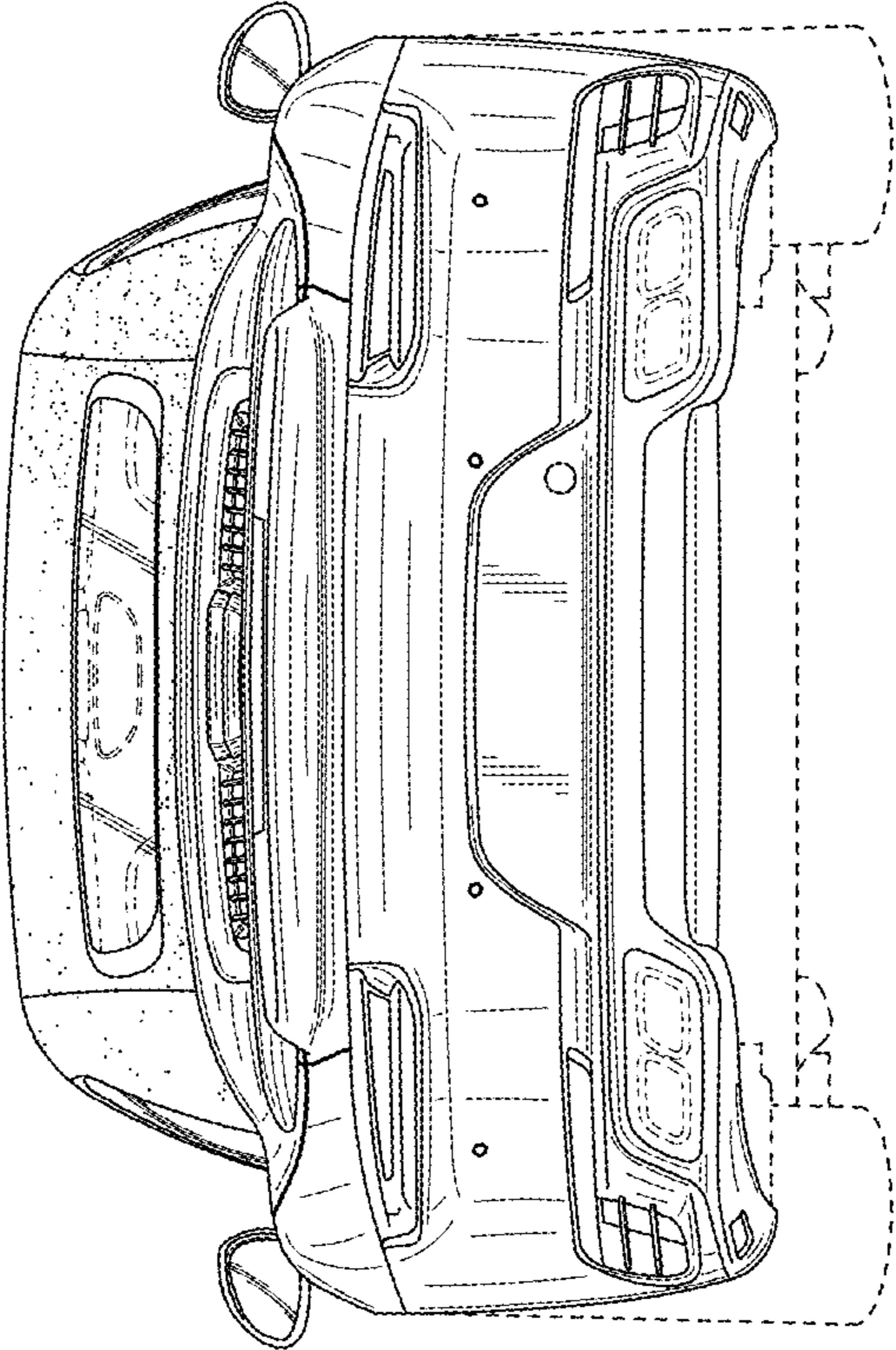


FIG. 12