



US00D755676S

(12) **United States Design Patent**  
**Yoshimine et al.**

(10) **Patent No.:** **US D755,676 S**  
(45) **Date of Patent:** **\*\* May 10, 2016**

(54) **AUTOMOBILE**

(71) Applicant: **mitsubishi JIDOSHA KOGYO  
KABUSHIKI KAISHA**, Tokyo (JP)

(72) Inventors: **Norihiko Yoshimine**, Nagoya (JP);  
**Yuichiro Ishizuka**, Nagoya (JP)

(73) Assignee: **mitsubishi JIDOSHA KOGYO  
KABUSHIKI KAISHA**, Tokyo (JP)

(\*\*) Term: **14 Years**

(21) Appl. No.: **29/514,196**

(22) Filed: **Jan. 9, 2015**

(30) **Foreign Application Priority Data**

Jul. 22, 2014 (JP) ..... 2014-015831

(51) **LOC (10) Cl.** ..... **12-08**

(52) **U.S. Cl.**  
USPC ..... **D12/91**

(58) **Field of Classification Search**  
USPC ..... D12/86, 90-92; D21/421, 433, 434;  
296/181.1, 181.5  
CPC ..... B62D 35/00; B62D 25/00; B62D 25/06;  
B62D 33/00

See application file for complete search history.

(56) **References Cited**

U.S. PATENT DOCUMENTS

D584,996 S 1/2009 Jamieson et al.  
D683,264 S \* 5/2013 Kanazawa ..... D12/91  
D695,645 S \* 12/2013 Tase ..... D12/91  
D697,834 S \* 1/2014 Okue ..... D12/91  
D719,875 S \* 12/2014 Jang ..... D12/91

\* cited by examiner

*Primary Examiner* — Melody N Brown

(74) *Attorney, Agent, or Firm* — Birch, Stewart, Kolasch & Birch, LLP

(57) **CLAIM**

The ornamental design for an automobile, as shown and described.

**DESCRIPTION**

FIG. 1 is a front perspective view of the front, top and right side of an automobile showing our new design;

FIG. 2 is a rear perspective view of the rear, top and right side thereof;

FIG. 3 is a front view thereof;

FIG. 4 is a rear view thereof;

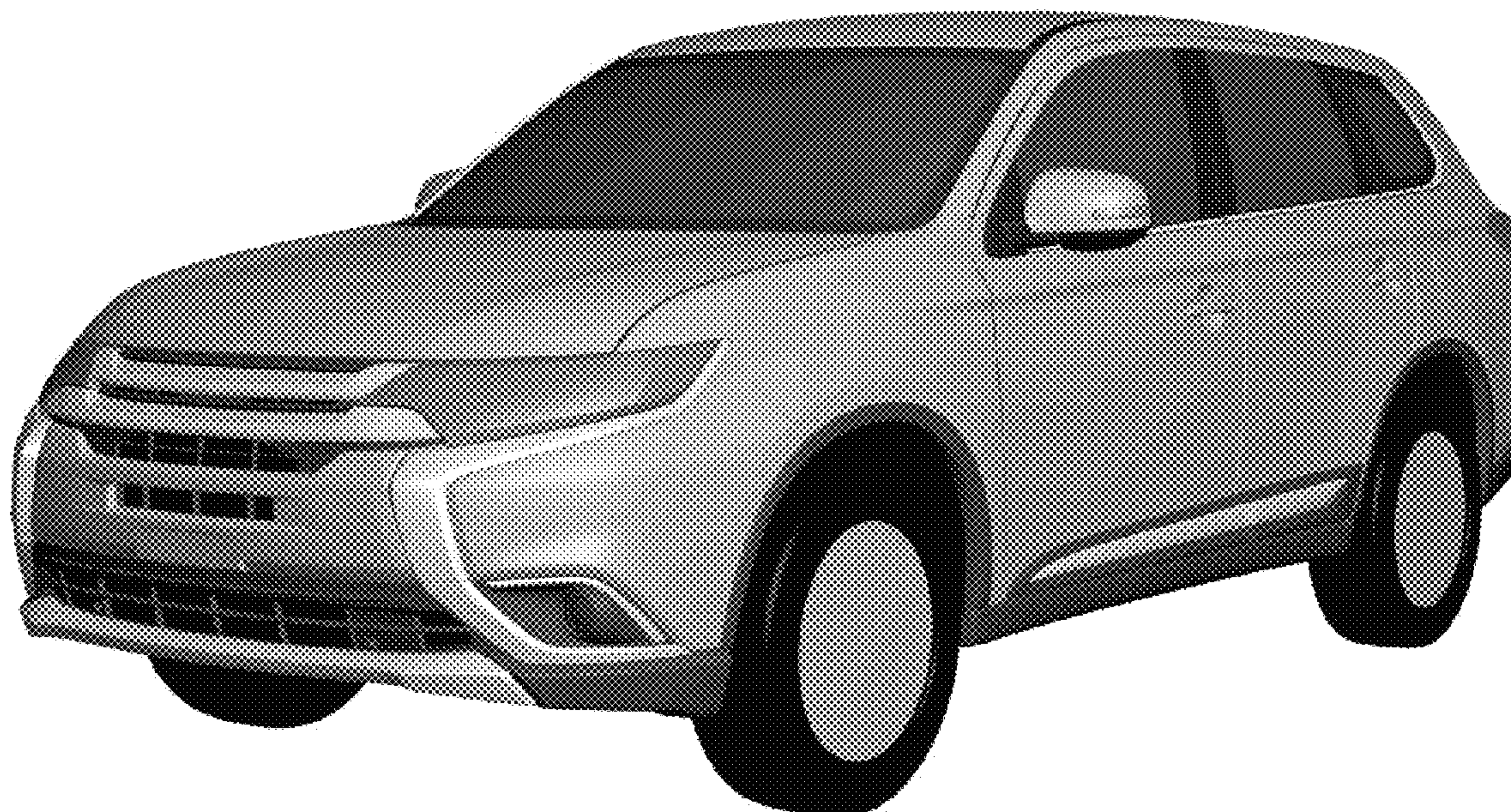
FIG. 5 is a left side view thereof;

FIG. 6 is a right side view thereof; and,

FIG. 7 is a top plan view thereof.

The bottom is unornamental.

**1 Claim, 7 Drawing Sheets**





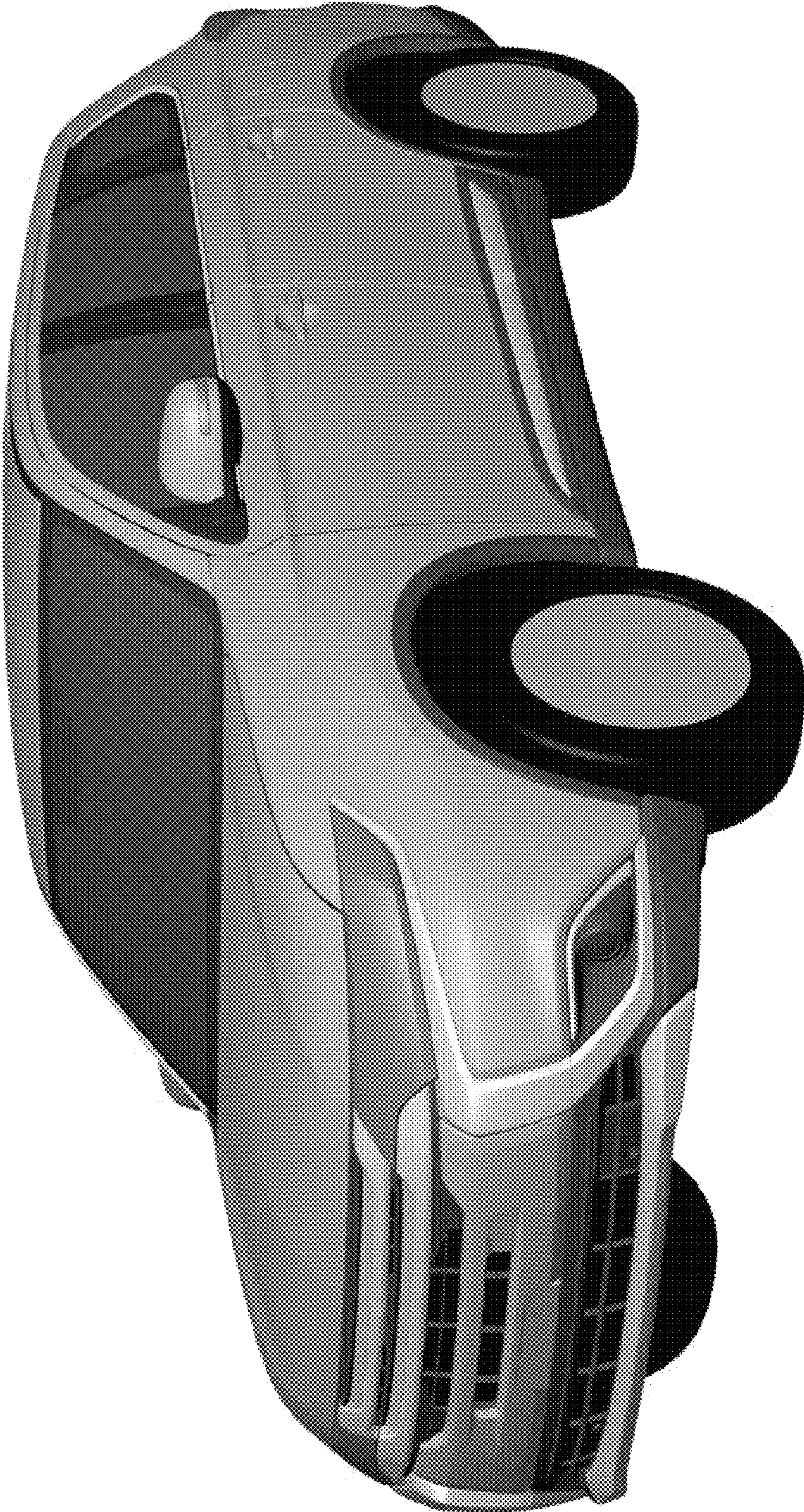


Figure 1





Figure 2



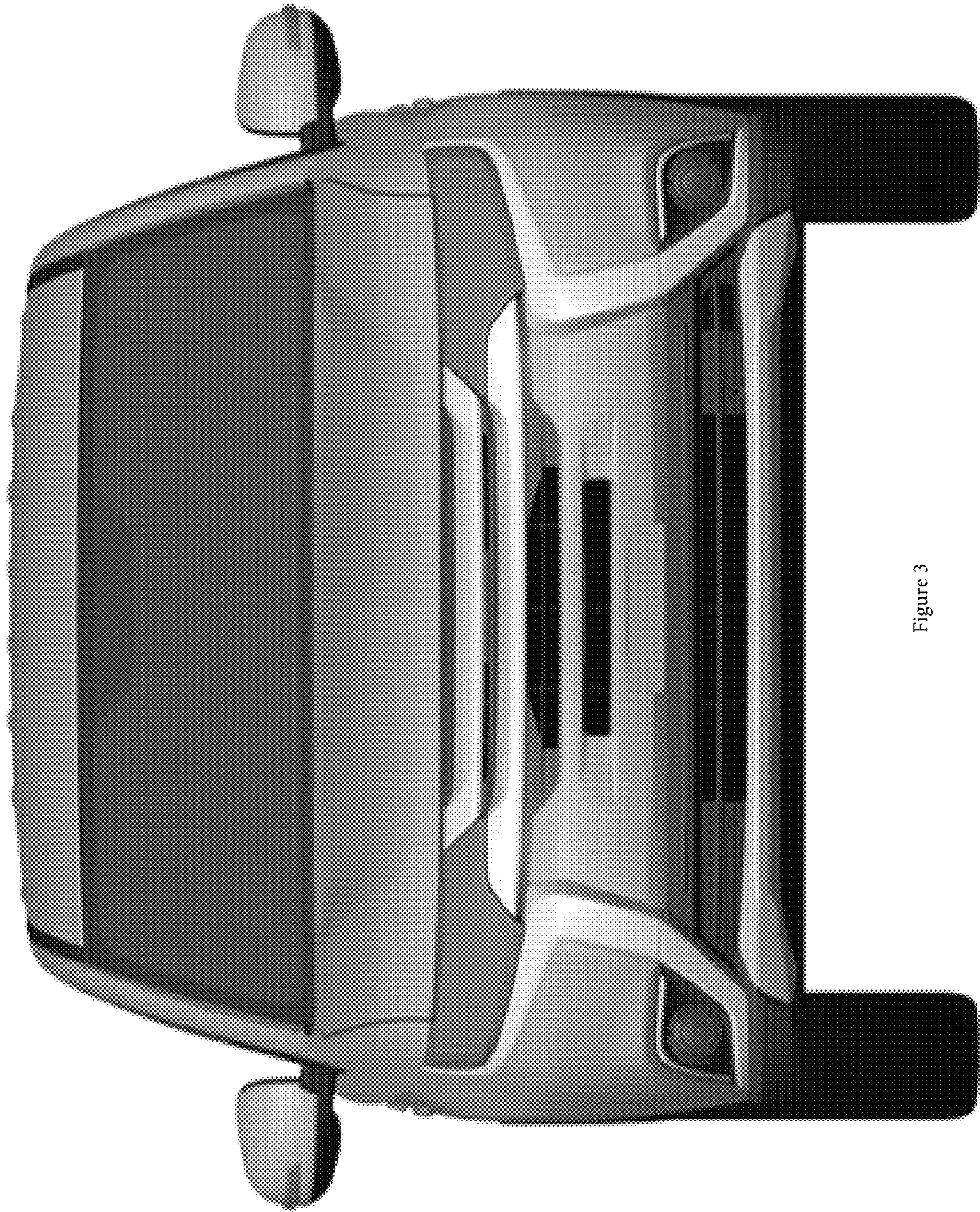


Figure 3



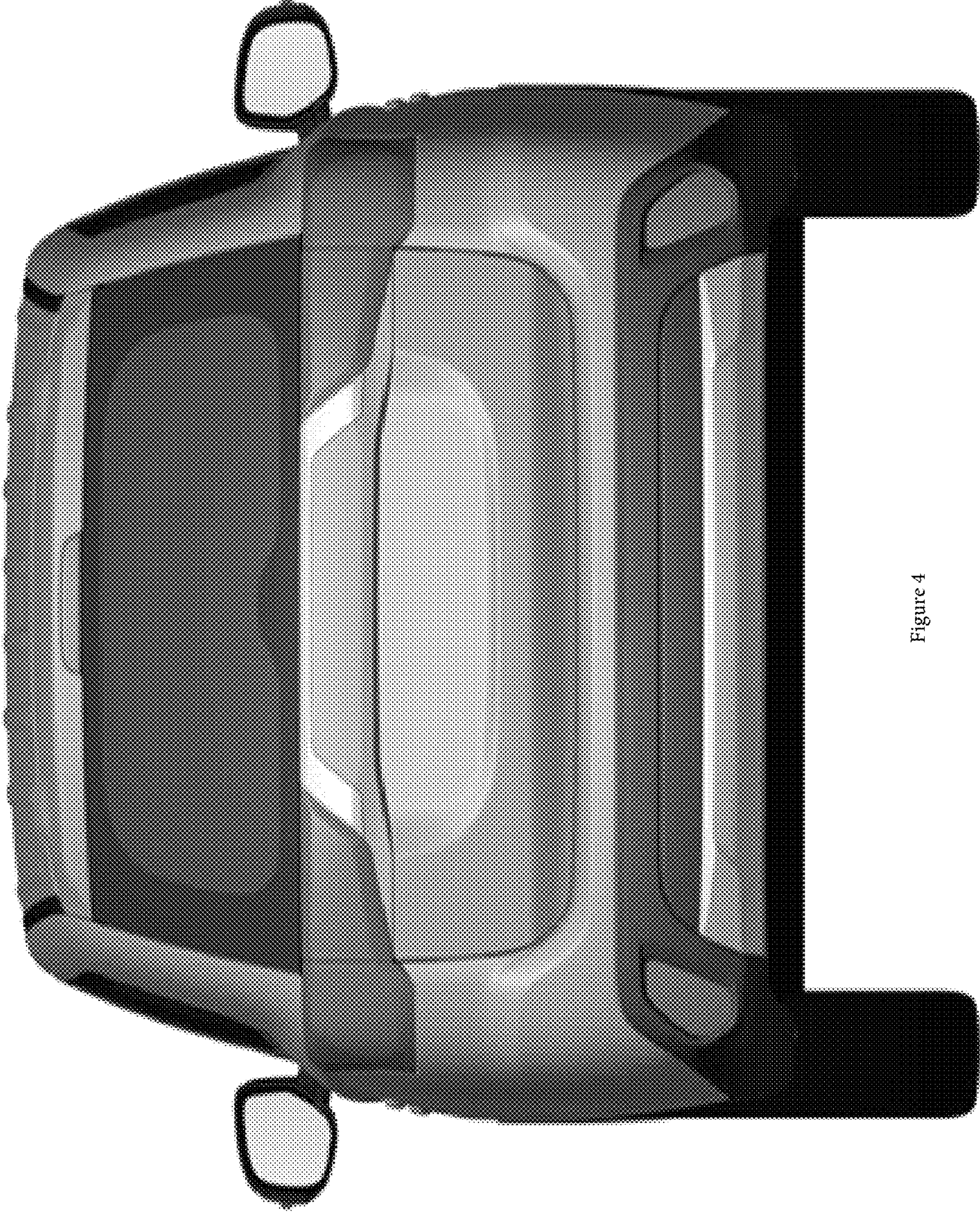


Figure 4





Figure 5





Figure 6



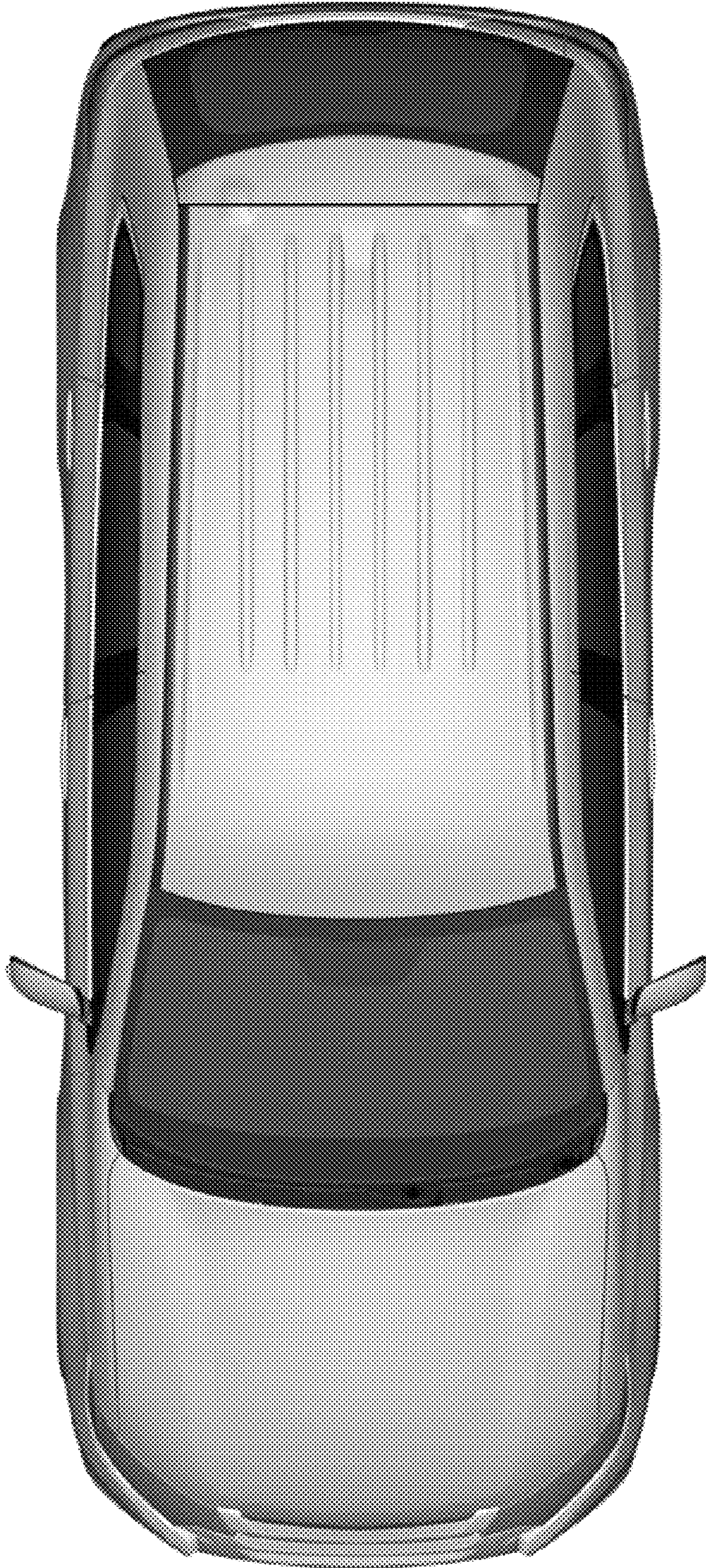


Figure 7