

US00D755673S

(12) **United States Design Patent**  
**Ahn et al.**

(10) **Patent No.:** **US D755,673 S**  
(45) **Date of Patent:** **\*\* May 10, 2016**

(54) **AUTONOMOUS VEHICLE EXTERIOR**

D294,365 S 2/1988 Nishibori et al.  
D323,901 S 2/1992 Falck et al.  
D350,503 S \* 9/1994 Yang ..... D12/90

(71) Applicant: **Google Inc.**, Mountain View, CA (US)

(Continued)

(72) Inventors: **YooJung Ahn**, Mountain View, CA (US); **Philipp Haban**, San Francisco, CA (US); **Jared S. Gross**, Belmont, CA (US); **Jonas De Moe**, Mountain View, CA (US); **Benjamin W. Julian**, San Francisco, CA (US); **Albert Shane**, Berkeley, CA (US)

**OTHER PUBLICATIONS**

McFadden, Colin-Druce, "Autonomous car concept swaps steering wheel for gesture controls", <<http://www.dvice.com/2014-3-12/autonomous-car-concept-swaps-steering-wheel-gesture-controls>>, Mar. 12, 2014.

(Continued)

(73) Assignee: **Google Inc.**, Mountain View, CA (US)

*Primary Examiner* — George D Kirschbaum

(\*\*) Term: **15 Years**

*Assistant Examiner* — Clese Moore, Jr.

(21) Appl. No.: **29/529,601**

(74) *Attorney, Agent, or Firm* — Lerner, David, Littenberg, Krumholz & Mentlik, LLP

(22) Filed: **Jun. 9, 2015**

(57) **CLAIM**

The ornamental design for an autonomous vehicle exterior, as shown and described.

**Related U.S. Application Data**

**DESCRIPTION**

(62) Division of application No. 29/491,722, filed on May 23, 2014, now Pat. No. Des. 734,211.

(51) **LOC (10) Cl.** ..... **12-08**

(52) **U.S. Cl.**  
USPC ..... **D12/86**

(58) **Field of Classification Search**  
USPC ..... D12/86, 90-92, 82, 1, 7, 14, 190;  
D21/424, 433, 434, 548  
CPC ..... B62D 31/003; B62D 3/10; B62D 29/043;  
B62D 35/00; B62D 25/06; B62D 25/08  
See application file for complete search history.

FIG. 1 is a front perspective view of an autonomous vehicle exterior according to our design;  
FIG. 2 is a front elevation view thereof;  
FIG. 3 is a back elevation view thereof;  
FIG. 4 is a right side elevation view thereof;  
FIG. 5 is a left side elevation view thereof;  
FIG. 6 is a top plan view thereof;  
FIG. 7 is a bottom plan view thereof;  
FIG. 8 is a front perspective view of the autonomous vehicle exterior of FIG. 1 in a configuration showing a door in an open position; and,  
FIG. 9 is a top plan view of the autonomous vehicle exterior of FIG. 13 in a configuration showing a door in an open position.

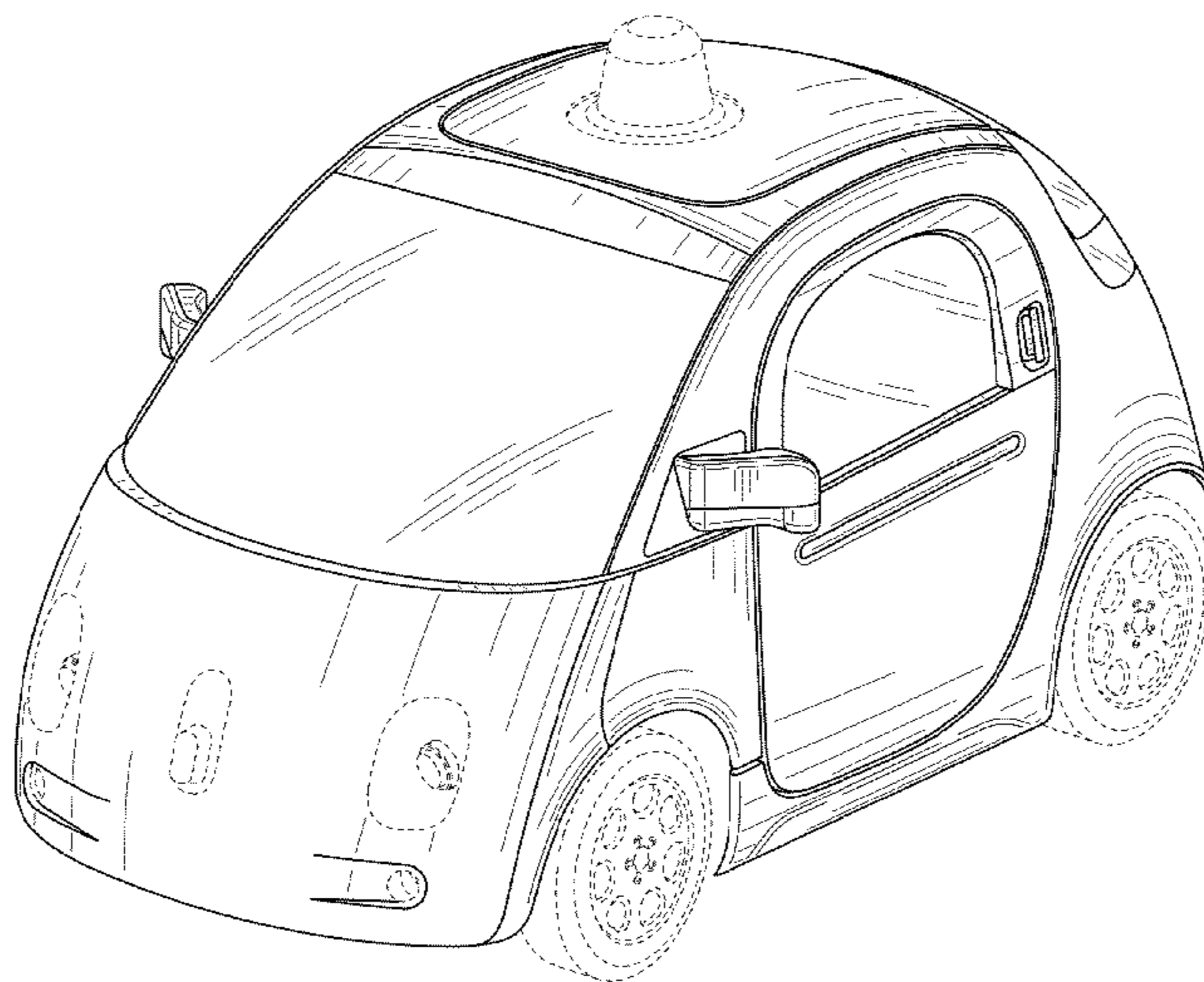
The broken lines shown illustrate portions of the autonomous vehicle exterior that form no part of the claimed design.

(56) **References Cited**

**U.S. PATENT DOCUMENTS**

3,032,645 A 5/1962 Wilfert  
3,093,320 A 6/1963 Knapp  
D282,923 S 3/1986 Soederberg  
D287,289 S 12/1986 Kato et al.  
D293,937 S 1/1988 Soma  
D293,938 S 1/1988 Soma

**1 Claim, 9 Drawing Sheets**



(56)

References Cited

U.S. PATENT DOCUMENTS

D411,814 S \* 7/1999 Chibuka ..... D12/90  
 D418,471 S 1/2000 Gabath  
 D421,588 S 3/2000 Kitamura  
 D447,191 S \* 8/2001 Hoelzel ..... D21/433  
 D456,312 S 4/2002 Leutz  
 D457,115 S 5/2002 Mahoney et al.  
 D459,764 S \* 7/2002 Hoelzel ..... D21/433  
 D466,458 S 12/2002 Murkett  
 D467,849 S 12/2002 Murkett  
 6,530,251 B1 3/2003 Dimig  
 D472,863 S 4/2003 Carroll  
 D475,474 S 6/2003 Hsieh et al.  
 D476,340 S \* 6/2003 Kizlyk ..... D15/10  
 D486,596 S 2/2004 Chen  
 D490,170 S 5/2004 Metros et al.  
 D515,489 S 2/2006 Tokutake  
 D520,428 S 5/2006 Iwanaga et al.  
 D525,727 S 7/2006 Fujimoto et al.  
 D525,731 S 7/2006 Hovind et al.  
 D526,429 S 8/2006 Hovind et al.  
 D527,122 S 8/2006 Chuang  
 D528,490 S 9/2006 Schumaker  
 D532,535 S 11/2006 Lin  
 D534,285 S 12/2006 Williams  
 D546,986 S 7/2007 Platto et al.  
 D547,473 S 7/2007 Yeoman et al.  
 D549,364 S 8/2007 Hovind et al.  
 D549,366 S 8/2007 Hovind et al.  
 D553,269 S 10/2007 Pfeiffer et al.  
 D556,111 S 11/2007 Levy  
 D556,662 S 12/2007 Murkett  
 D559,734 S 1/2008 Sinkwitz  
 D564,432 S 3/2008 Pfeiffer  
 D565,764 S 4/2008 Zimmermann et al.  
 D568,792 S 5/2008 Moushegian et al.  
 D578,685 S 10/2008 Manus  
 D581,081 S 11/2008 Mier-Langner  
 D582,824 S 12/2008 Kobayashi  
 D586,020 S 2/2009 Hsu  
 D592,102 S \* 5/2009 Kim ..... D12/90  
 D592,336 S 5/2009 Hsu  
 D593,231 S 5/2009 Koman  
 7,537,256 B2 5/2009 Gates et al.  
 D594,383 S 6/2009 Lo et al.  
 D596,323 S 7/2009 Ishizuka et al.  
 D601,072 S 9/2009 Giachin  
 D603,296 S \* 11/2009 Zhou ..... D12/86  
 D603,306 S 11/2009 Jung et al.  
 D608,263 S 1/2010 Truebsbach  
 D613,220 S 4/2010 Ikeda et al.  
 D615,905 S \* 5/2010 Arnell ..... D12/91  
 D619,931 S \* 7/2010 Arnell ..... D12/86  
 D624,218 S 9/2010 Nakai et al.  
 D625,445 S 10/2010 Takahashi et al.  
 D629,717 S \* 12/2010 Artioli ..... D12/86  
 D633,644 S 3/2011 Sprengers  
 D633,839 S 3/2011 Matei et al.

D634,053 S 3/2011 Guercio  
 D634,686 S 3/2011 Matei et al.  
 D636,317 S 4/2011 Matei et al.  
 D638,338 S 5/2011 Huet  
 D644,975 S 9/2011 Kumai et al.  
 D649,910 S 12/2011 Mullen  
 D651,132 S \* 12/2011 Lambri ..... D12/86  
 D655,836 S 3/2012 Lee et al.  
 D660,211 S 5/2012 Ikuma et al.  
 D663,665 S 7/2012 Hakamata et al.  
 D667,973 S 9/2012 Schneider  
 D671,452 S \* 11/2012 Fernandez Isoird ..... D12/86  
 D671,453 S \* 11/2012 Fernandez Isoird ..... D12/86  
 D675,961 S \* 2/2013 Nagafuchi ..... D12/91  
 D676,359 S \* 2/2013 Panoz ..... D12/86  
 D678,566 S 3/2013 Janssen  
 D681,529 S 5/2013 Minami et al.  
 D682,172 S 5/2013 Peltola et al.  
 D684,091 S \* 6/2013 Frenzel ..... D12/90  
 D692,167 S 10/2013 Yamazaki et al.  
 D692,168 S 10/2013 Harrington, Jr.  
 D693,270 S \* 11/2013 Burki ..... D12/86  
 D693,272 S 11/2013 Burki et al.  
 D695,178 S 12/2013 Tada et al.  
 D695,179 S 12/2013 Tada et al.  
 D695,661 S 12/2013 Asano et al.  
 D695,663 S 12/2013 Suga et al.  
 D695,664 S 12/2013 Suga et al.  
 D696,172 S 12/2013 Kawasaki et al.  
 D696,999 S 1/2014 Suga et al.  
 D698,717 S 2/2014 Kobayashi  
 D699,375 S 2/2014 Ueda et al.  
 D700,104 S \* 2/2014 Malachowski ..... D12/90  
 D701,334 S 3/2014 Christ  
 D706,191 S 6/2014 Choi et al.  
 D706,467 S 6/2014 Robinson  
 D706,692 S 6/2014 Wheel et al.  
 D710,264 S 8/2014 Watkins et al.  
 D711,566 S 8/2014 Wu  
 D716,206 S 10/2014 Thole et al.  
 D716,476 S 10/2014 Asano  
 D718,197 S 11/2014 Chen  
 D718,695 S 12/2014 Galante et al.  
 D719,062 S \* 12/2014 Wada ..... D12/86  
 D720,874 S 1/2015 Jackson et al.  
 D721,024 S 1/2015 Thole et al.  
 D726,351 S 4/2015 Kato  
 D730,254 S 5/2015 Glover et al.  
 D731,097 S 6/2015 Dai  
 D731,379 S 6/2015 Behmer et al.  
 D734,211 S \* 7/2015 Ahn ..... D12/86  
 D736,430 S 8/2015 Ko  
 D745,722 S 12/2015 Smith  
 2014/0252949 A1 9/2014 Ko et al.

OTHER PUBLICATIONS

Ridden, Paul, "ATNMBL—The concept car with no steering wheel, brake pedal or driver's seat", <<http://www.gizmag.com/atnmb1-autonomous-concept-passenger-transport/15877/>>, Jul. 29, 2010.

\* cited by examiner

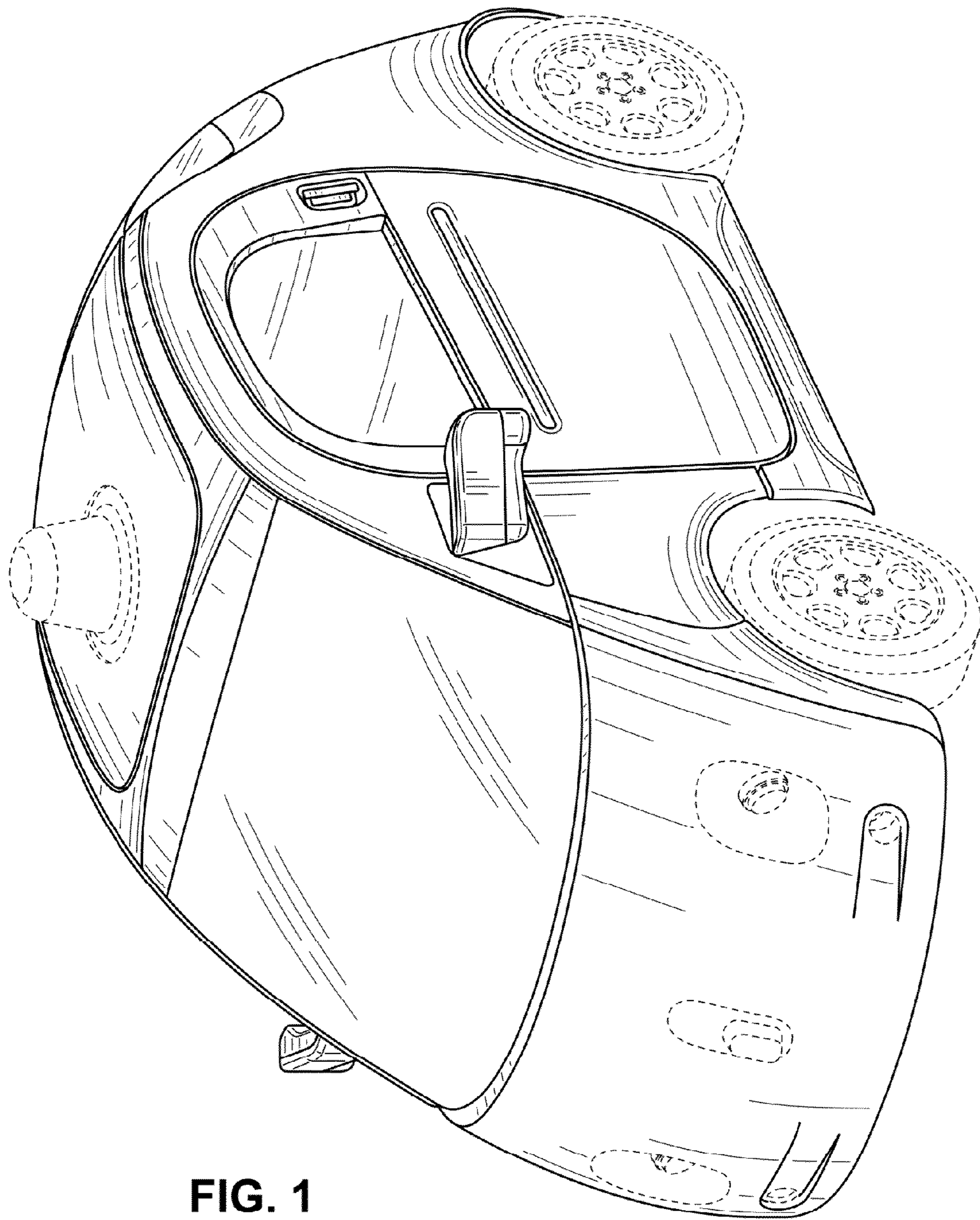


FIG. 1

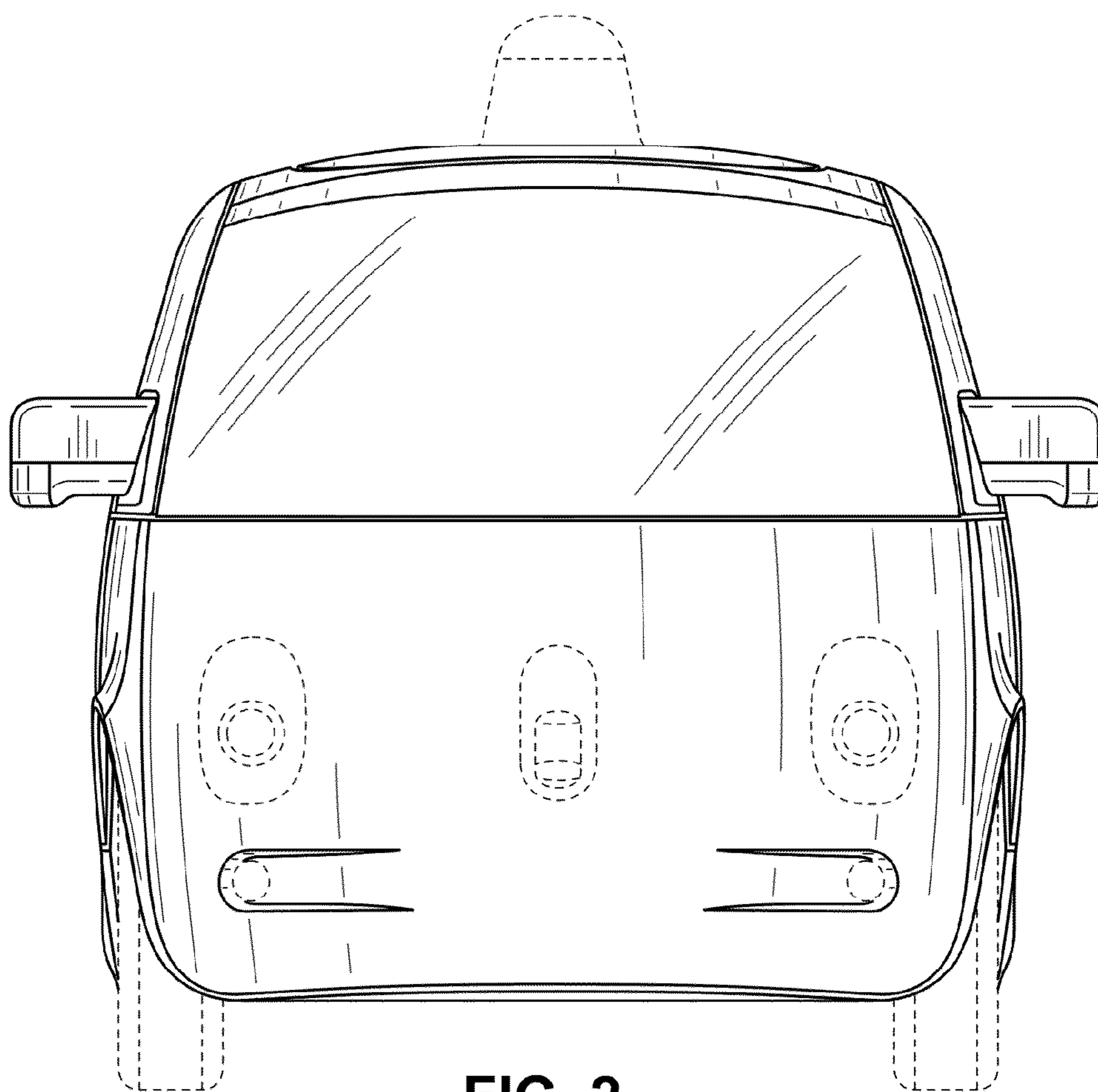


FIG. 2

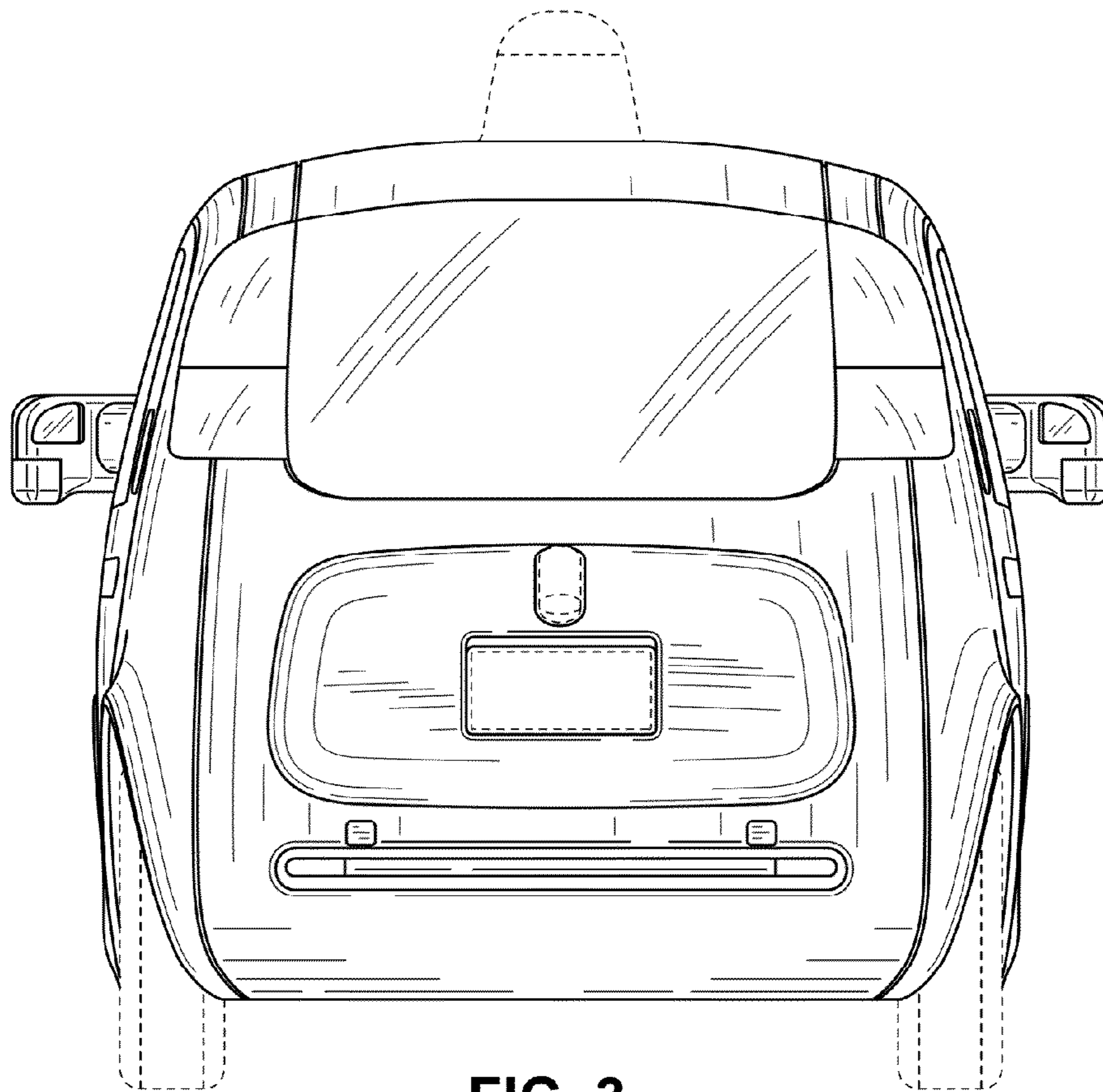


FIG. 3

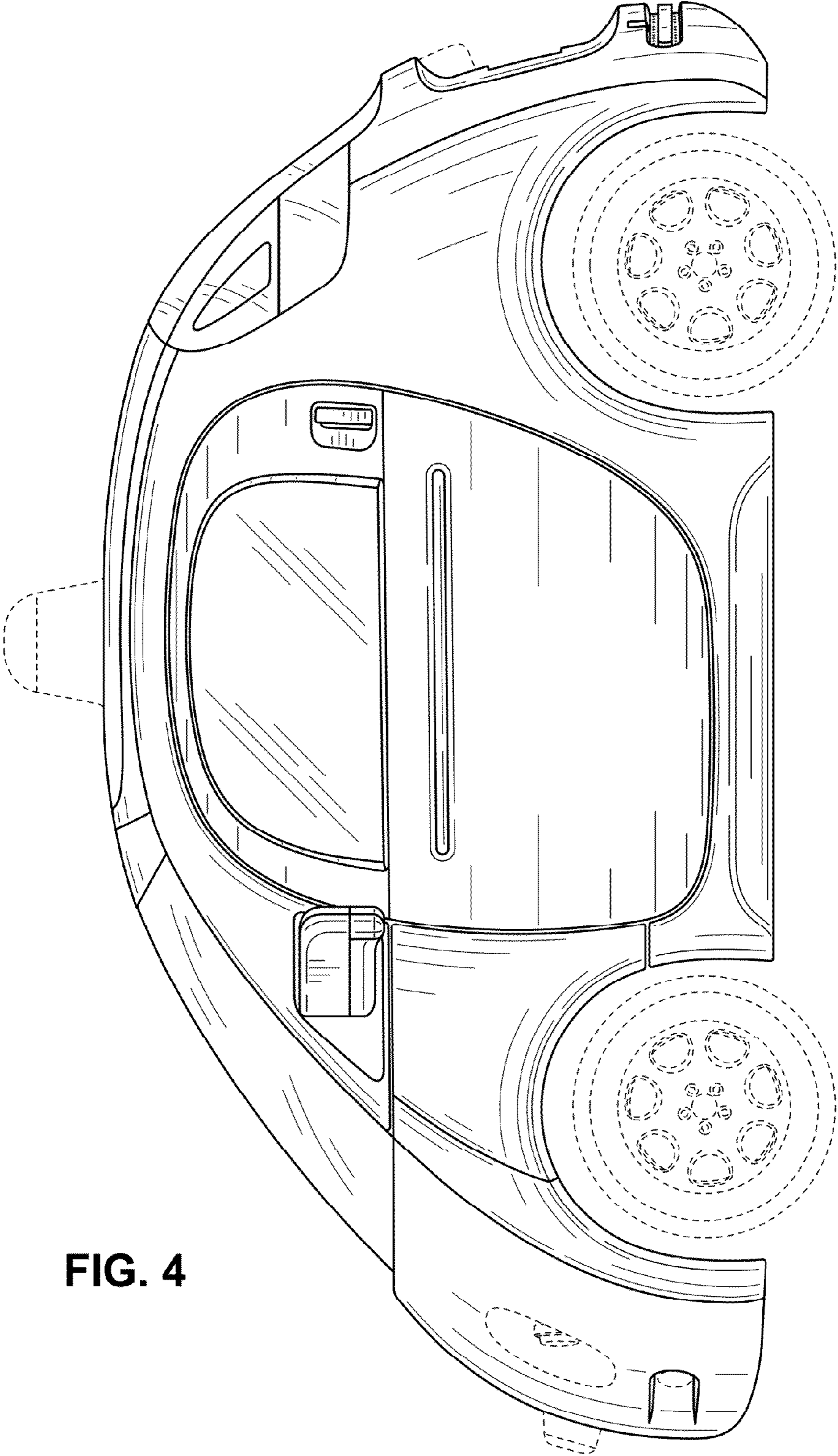


FIG. 4

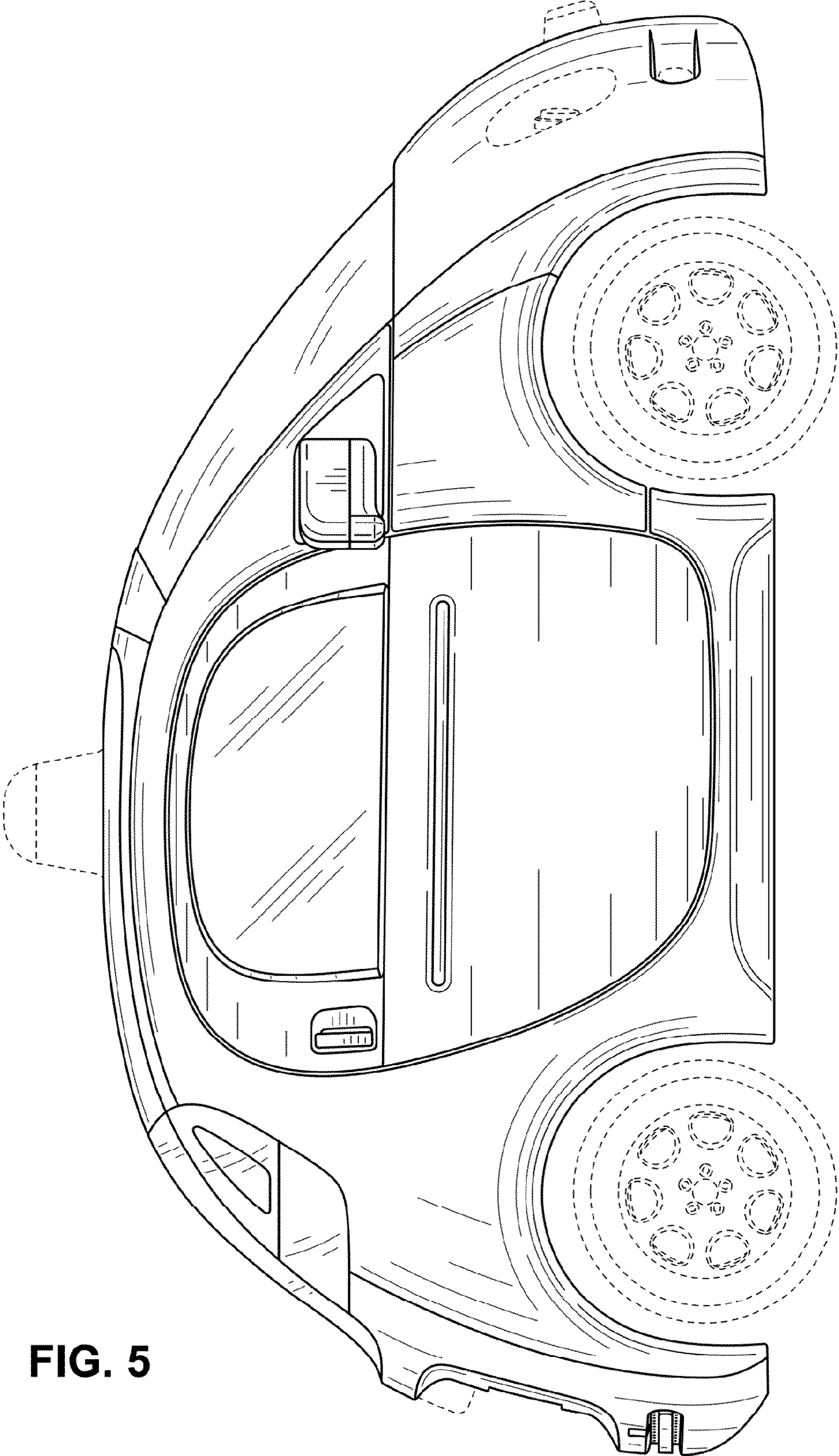


FIG. 5

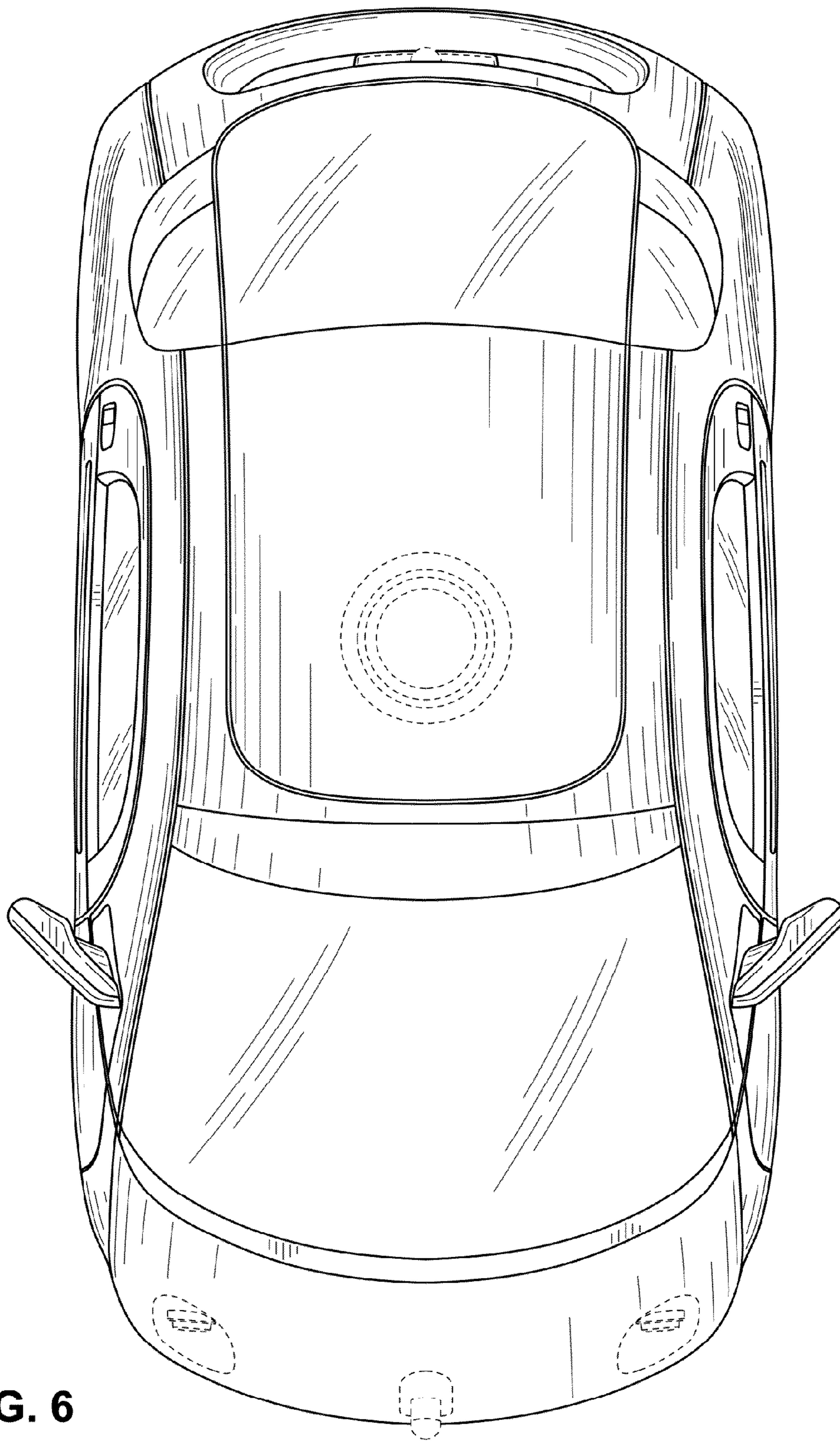


FIG. 6



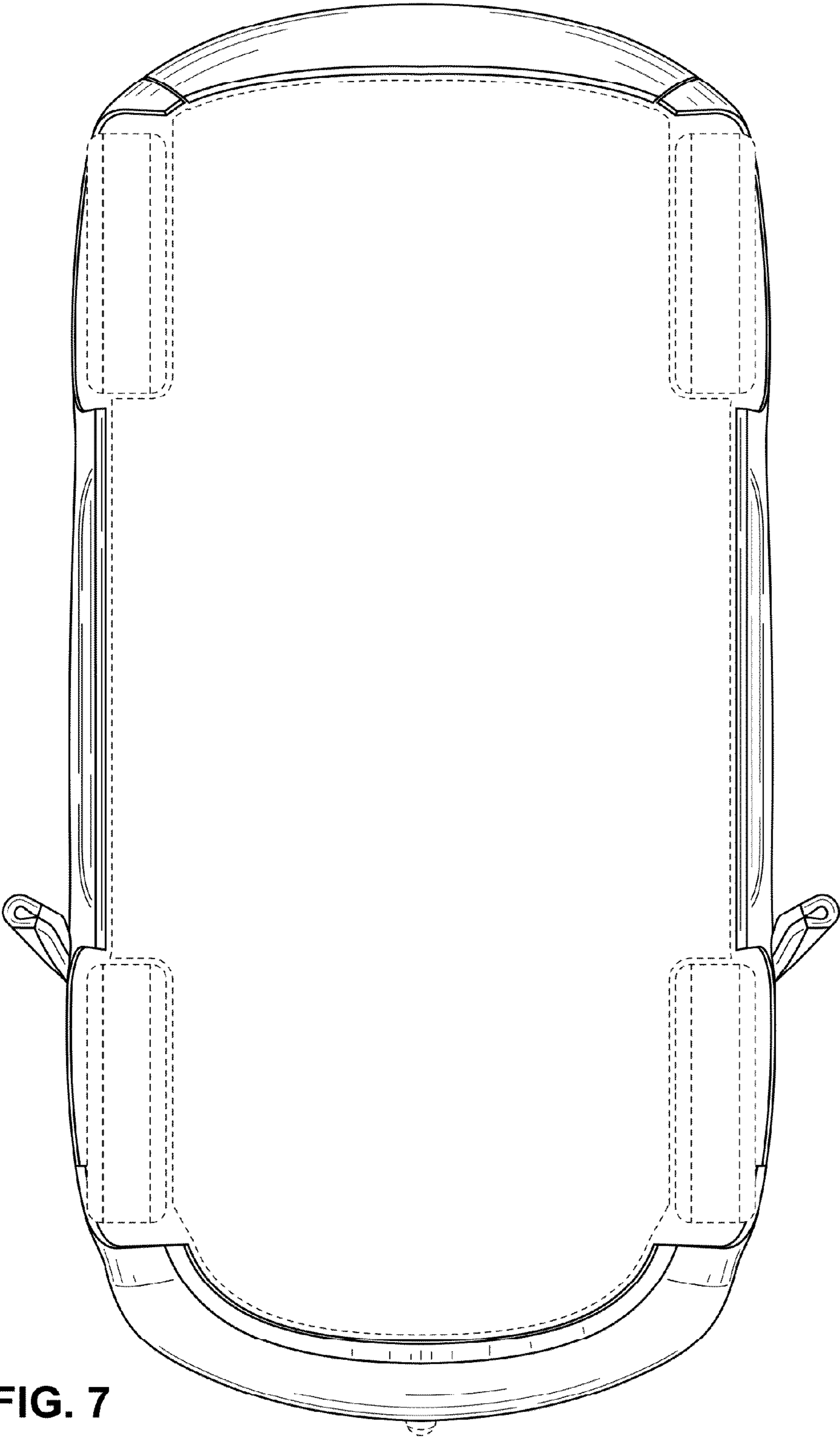


FIG. 7

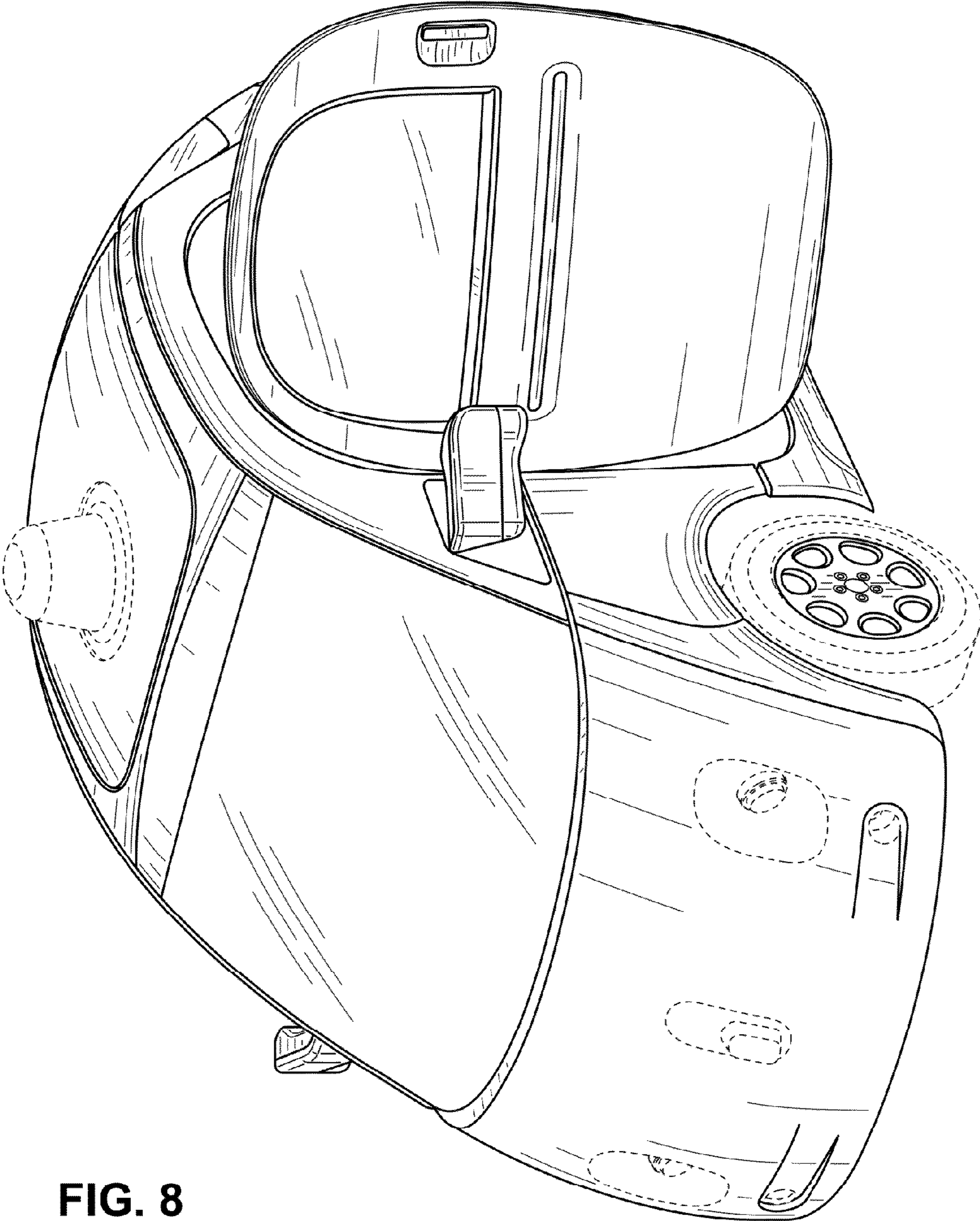


FIG. 8

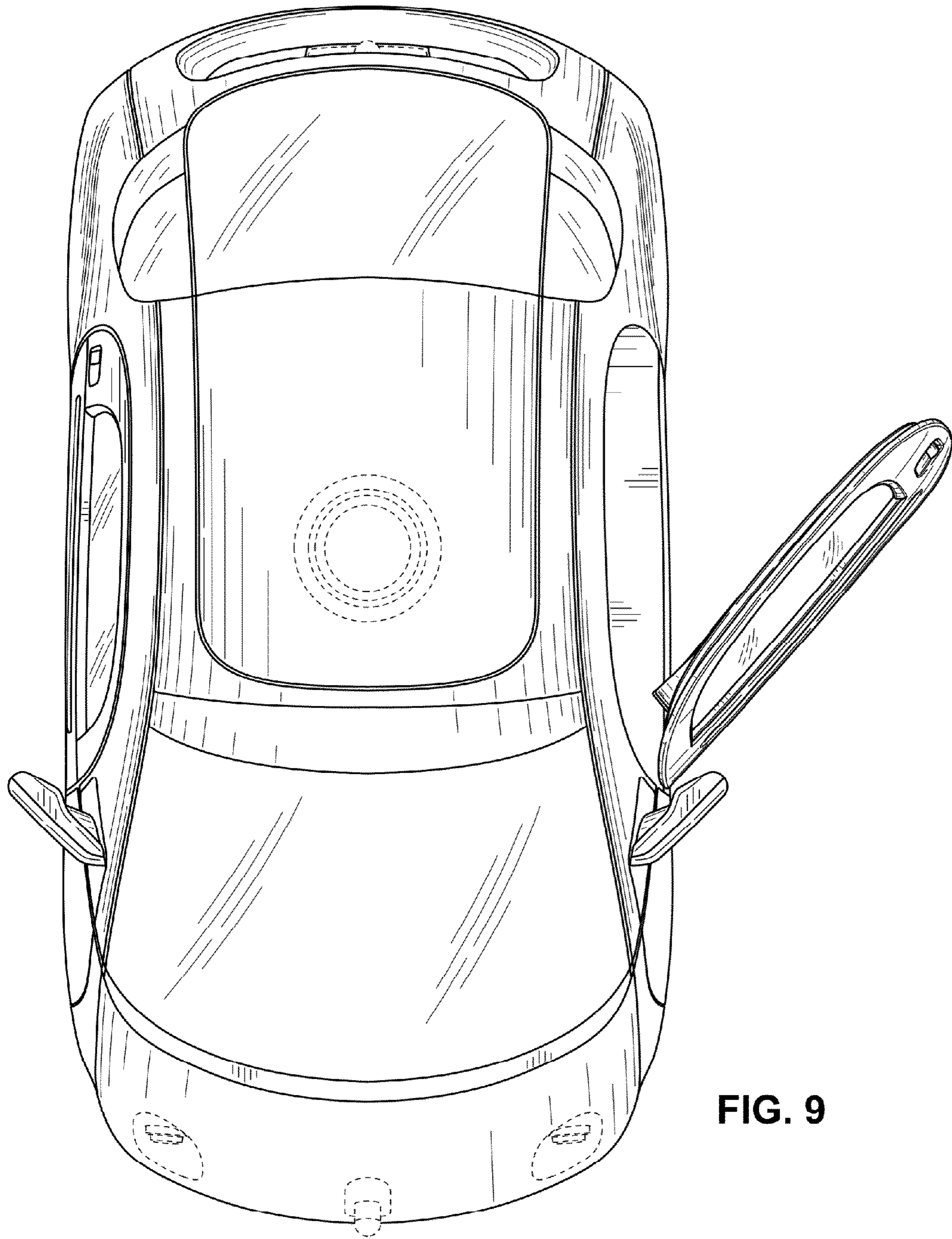


FIG. 9