



US00D755671S

(12) **United States Design Patent**
Flores

(10) **Patent No.:** **US D755,671 S**
(45) **Date of Patent:** **** May 10, 2016**

(54) **SNOWMOBILE**
(71) Applicant: **Julio Flores**, Lakewood, CA (US)
(72) Inventor: **Julio Flores**, Lakewood, CA (US)
(73) Assignee: **YAMAHA HATSUDOKI**
KABUSHIKI KAISHA (JP)
(**) Term: **14 Years**
(21) Appl. No.: **29/516,193**
(22) Filed: **Jan. 30, 2015**
(51) **LOC (10) Cl.** **12-14**
(52) **U.S. Cl.**
USPC **D12/7**
(58) **Field of Classification Search**
USPC D12/12, 204, 205, 207, 208, 209, 7, 9,
D12/10; D15/28; 305/136; 180/182, 190,
180/184-186, 180, 219, 193, 194; 280/845
CPC .. B62D 55/145; B62D 55/0966; B62D 55/14;
B62D 55/12; B62J 25/00
See application file for complete search history.

2006/0085966 A1* 4/2006 Kerner B62D 23/00
29/524.1
2009/0322045 A1* 12/2009 Lemieux B62B 17/04
280/28
2011/0192667 A1* 8/2011 Conn B62J 25/00
180/190
2011/0290574 A1* 12/2011 Maltais B62M 27/02
180/190
2014/0332293 A1* 11/2014 Conn B62D 55/0885
180/9.62
2015/0197313 A1* 7/2015 Vistad B62M 27/02
180/182

* cited by examiner

Primary Examiner — T. Chase Nelson

Assistant Examiner — Ania Aman

(74) *Attorney, Agent, or Firm* — Ostrolenk Faber LLP

(57) **CLAIM**

The ornamental design for a snowmobile, as shown.

DESCRIPTION

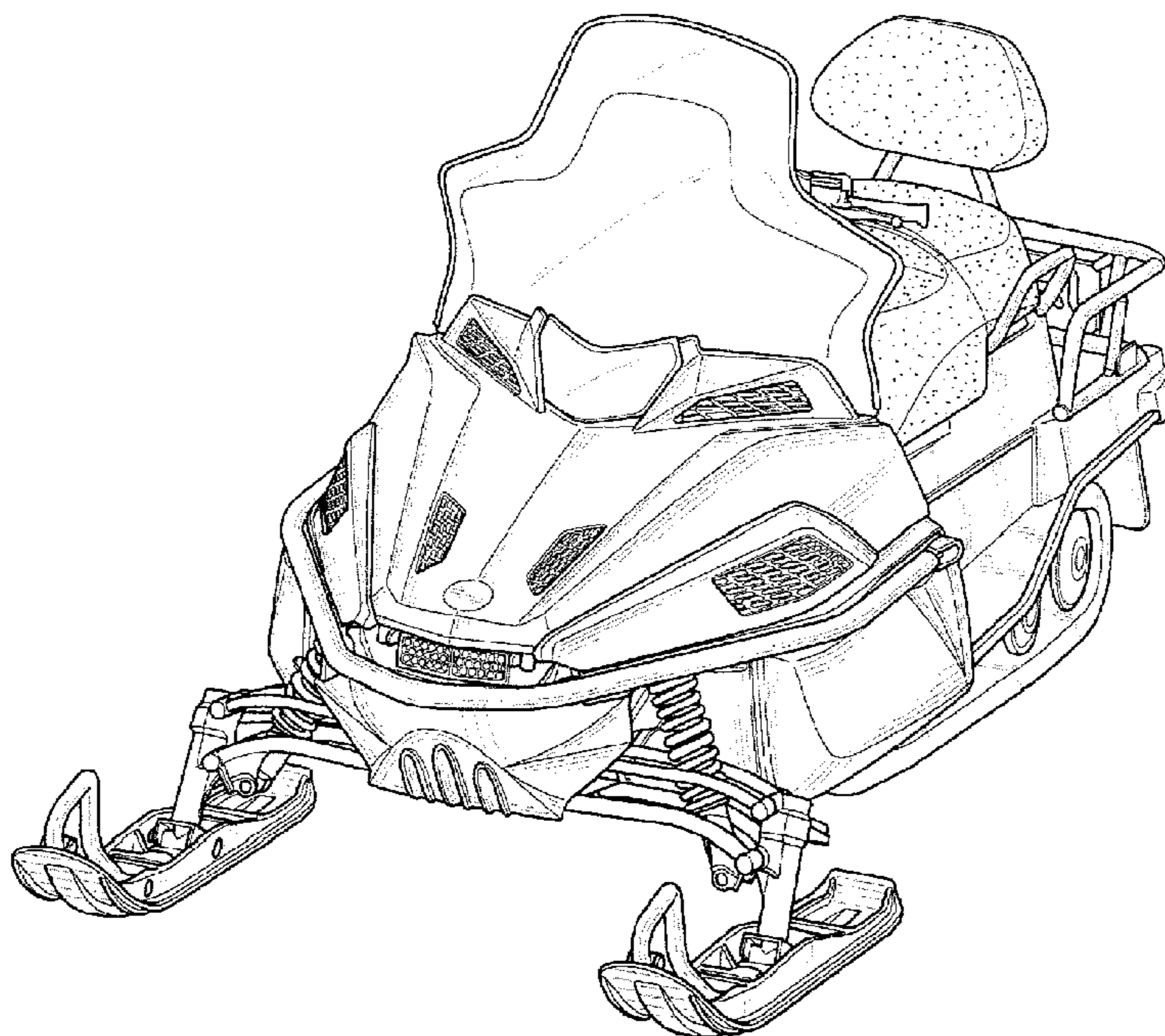
FIG. 1 is a front perspective view of a snowmobile showing my new design;
FIG. 2 is a rear perspective view thereof;
FIG. 3 is a front view thereof;
FIG. 4 is a rear view thereof;
FIG. 5 is a left side view thereof;
FIG. 6 is a right side view thereof;
FIG. 7 is a top view thereof; and,
FIG. 8 is a bottom view thereof.

1 Claim, 8 Drawing Sheets

(56) **References Cited**

U.S. PATENT DOCUMENTS

D479,813 S * 9/2003 Cadotte D12/7
D580,824 S * 11/2008 Longpre D12/7
D596,530 S * 7/2009 Petit D12/7
8,381,857 B1 * 2/2013 Sampson B62M 27/00
180/190
D723,976 S * 3/2015 Petit D12/7



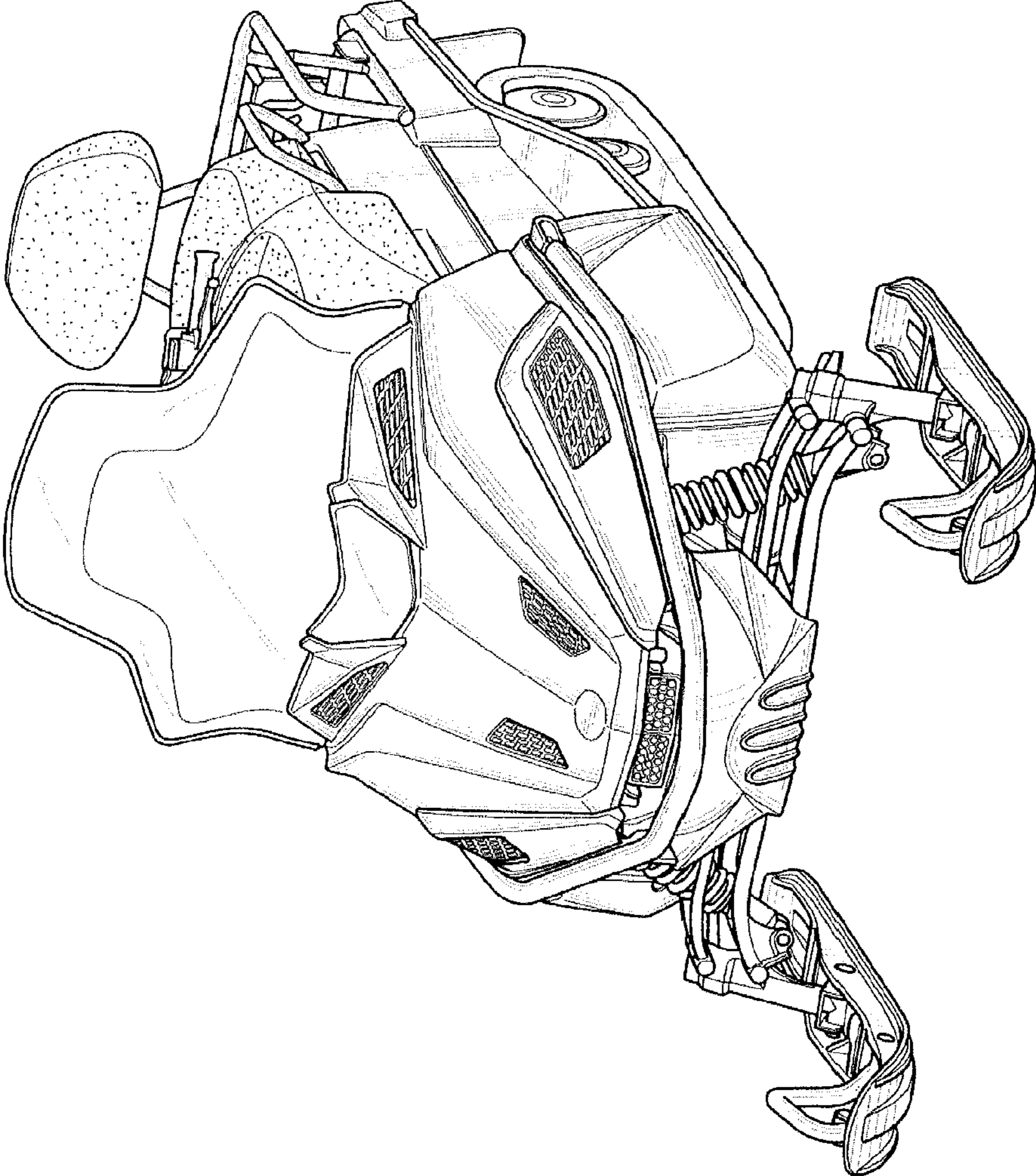


FIG. 1

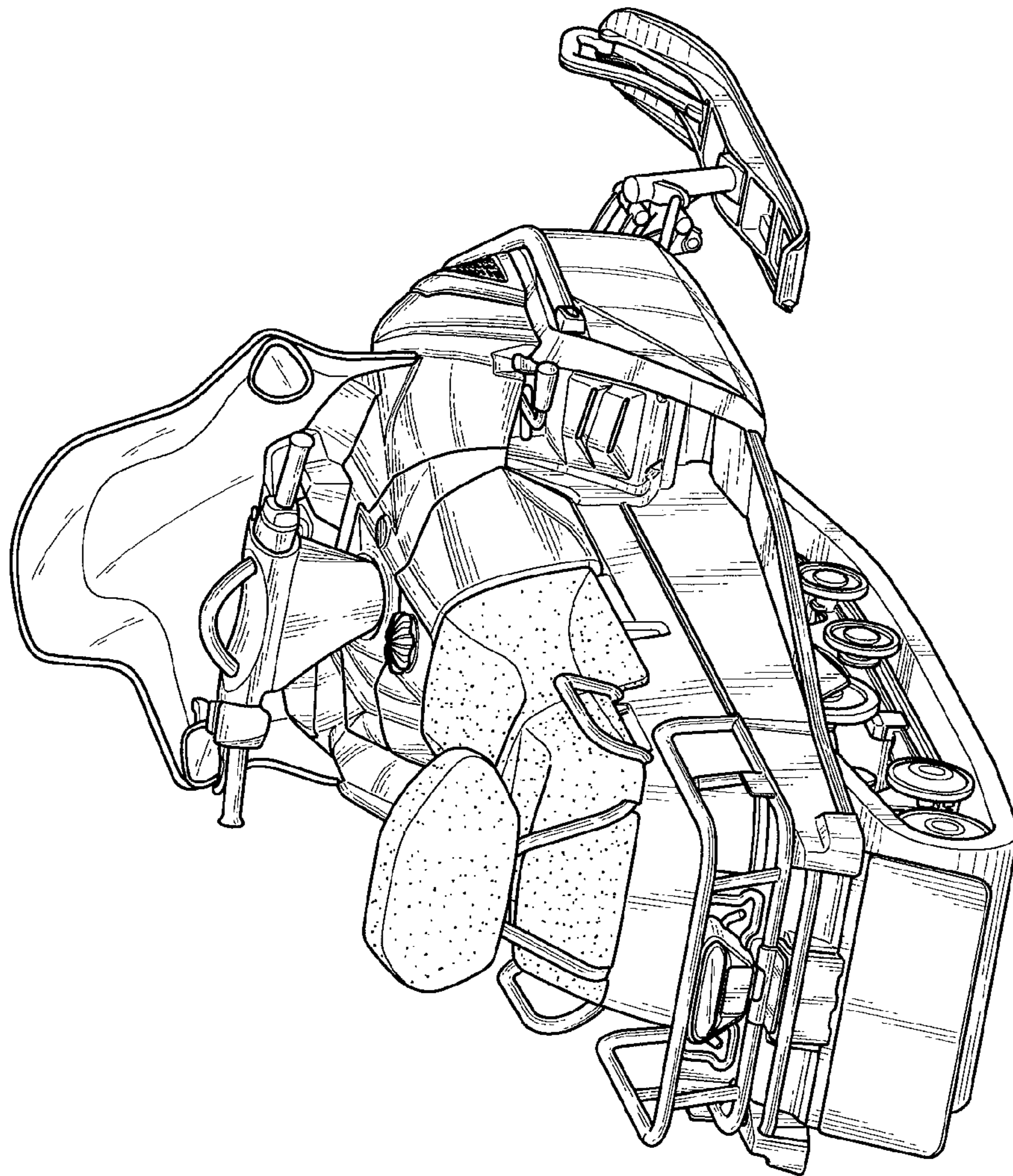


FIG. 2

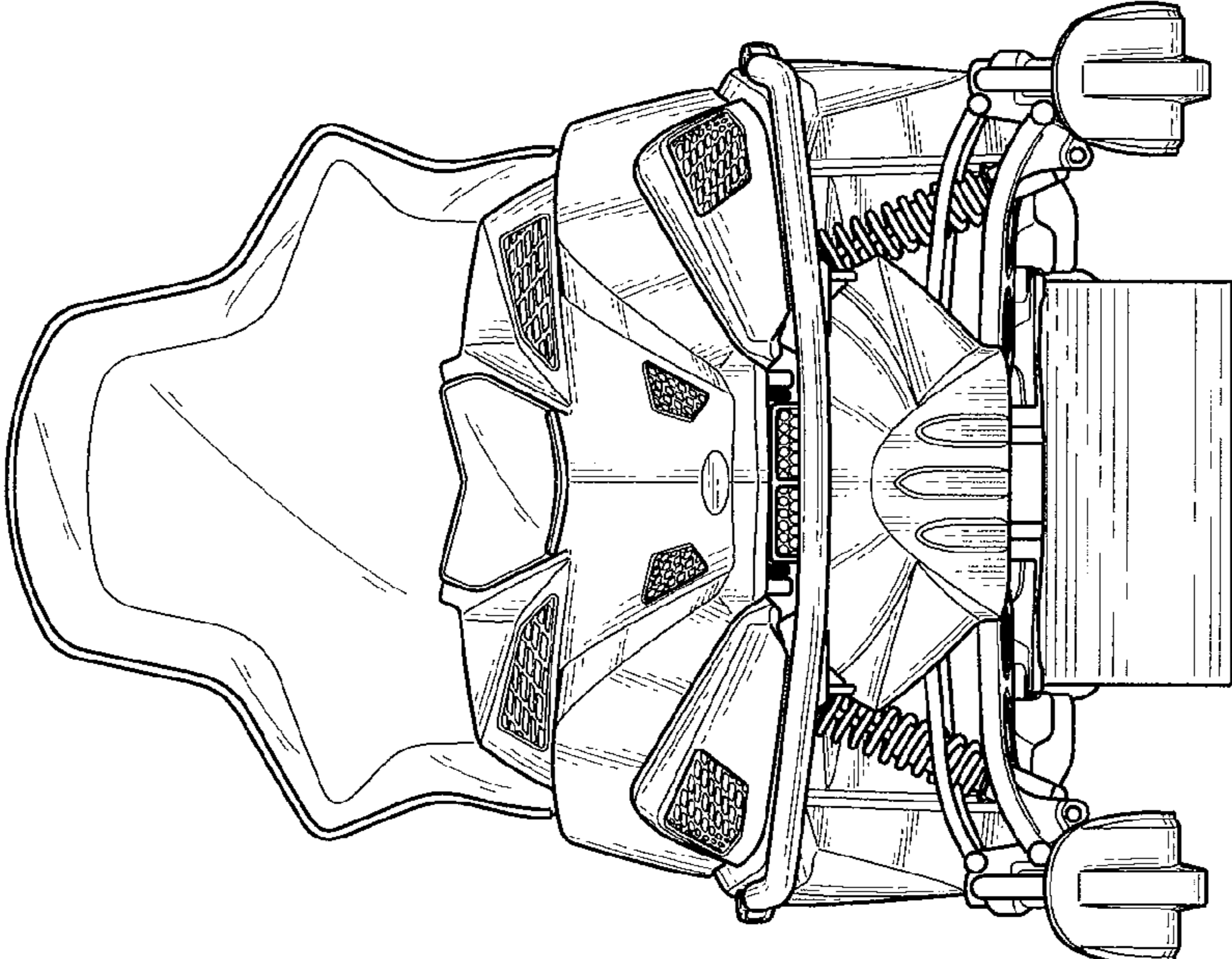


FIG. 3

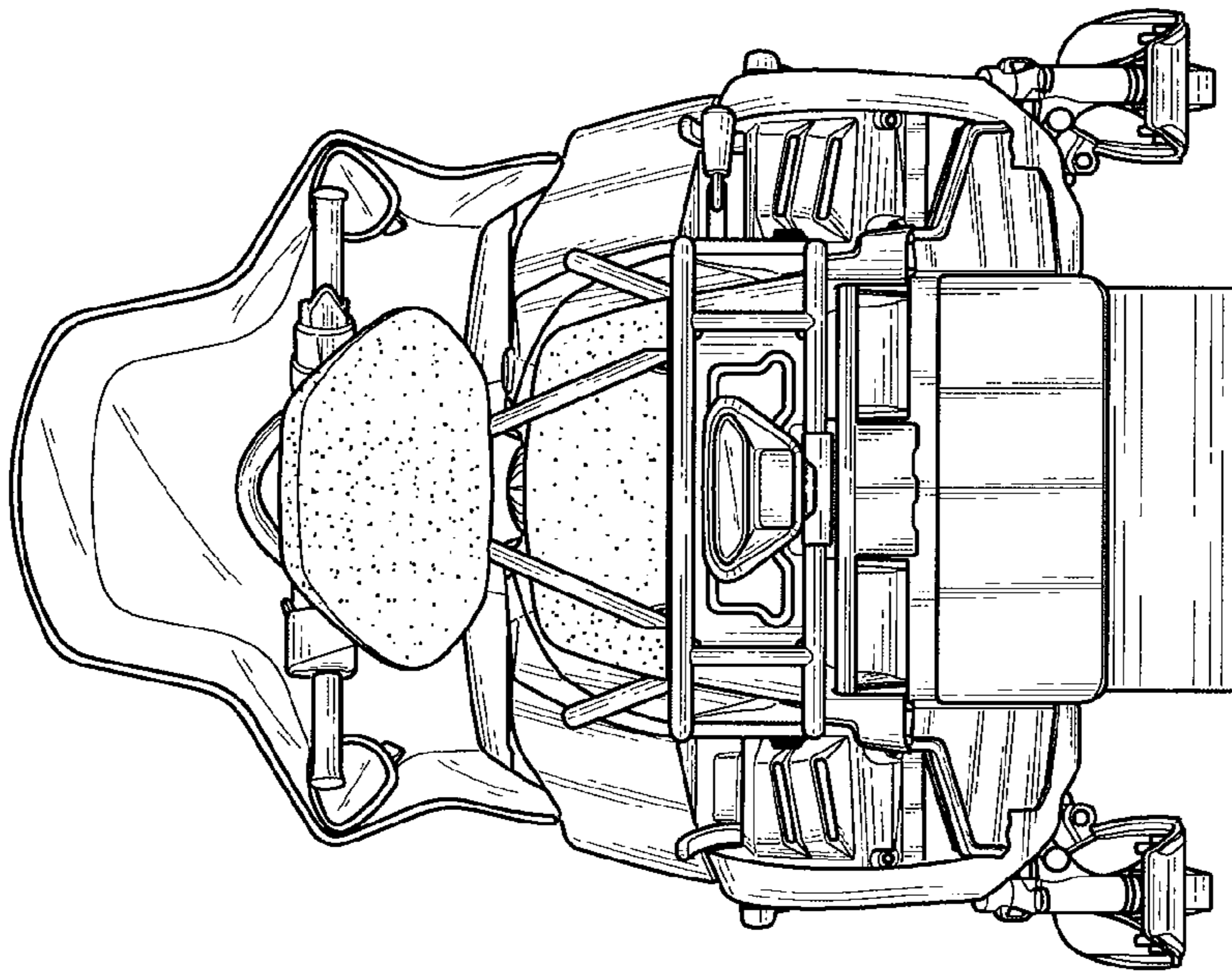


FIG. 4

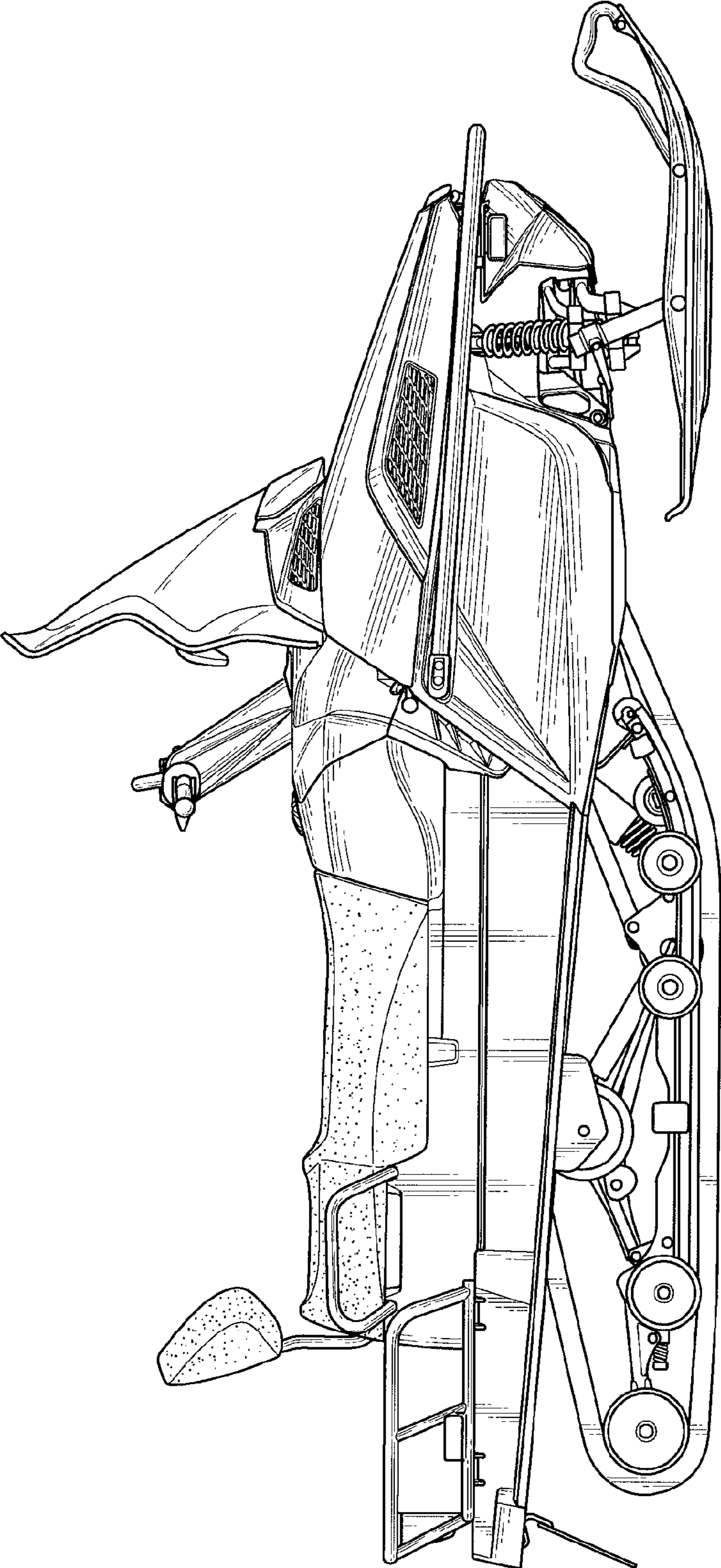


FIG. 5

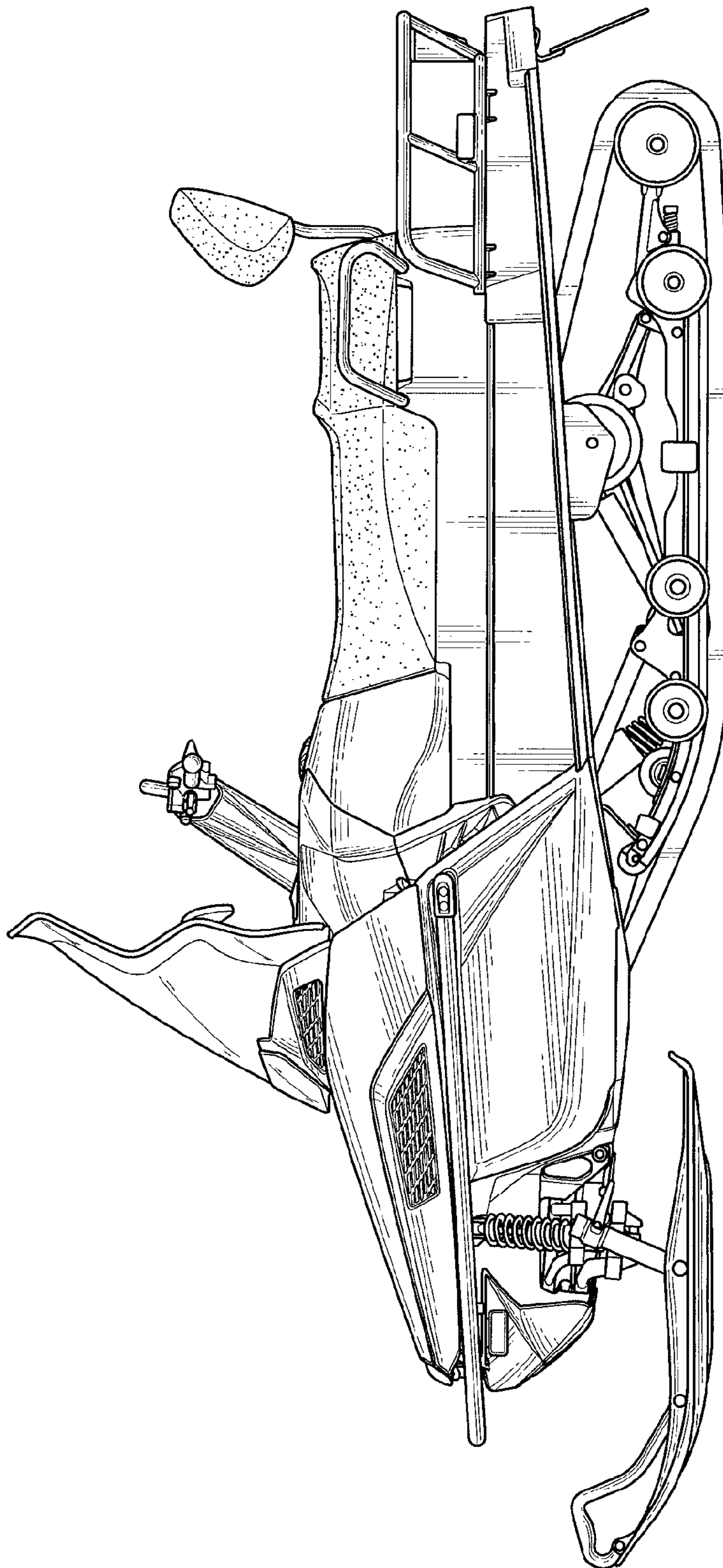


FIG. 6

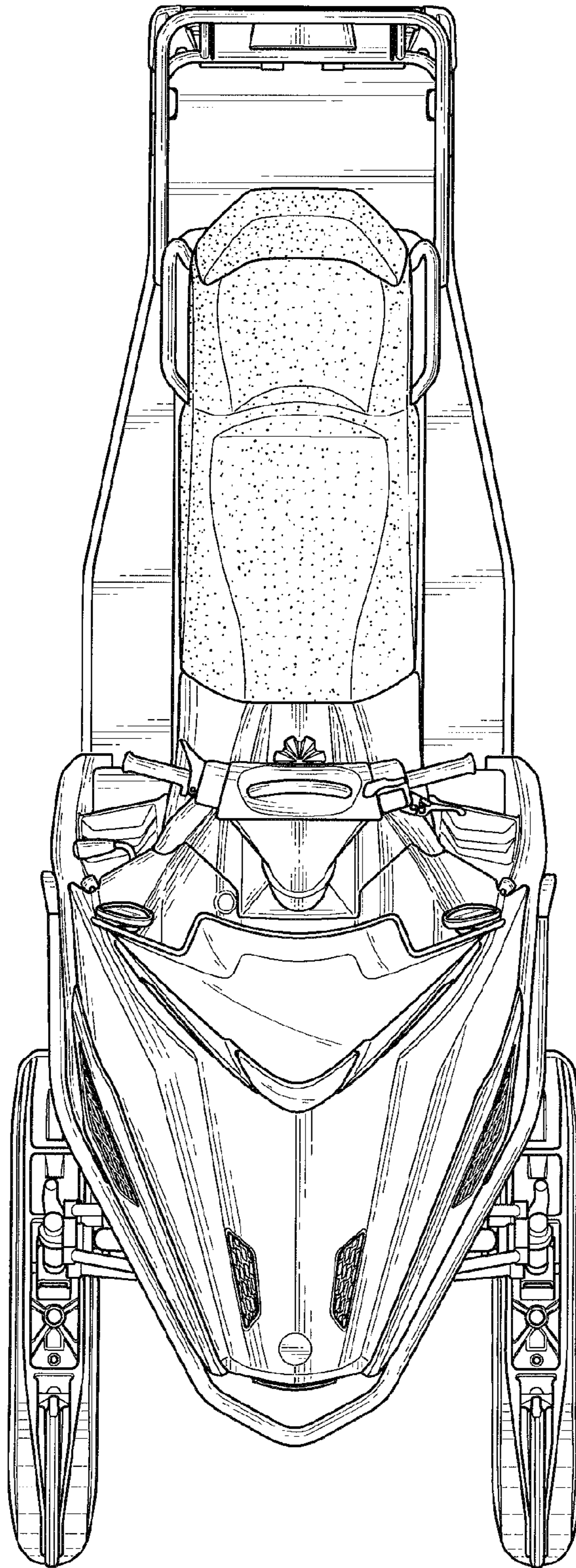


FIG. 7

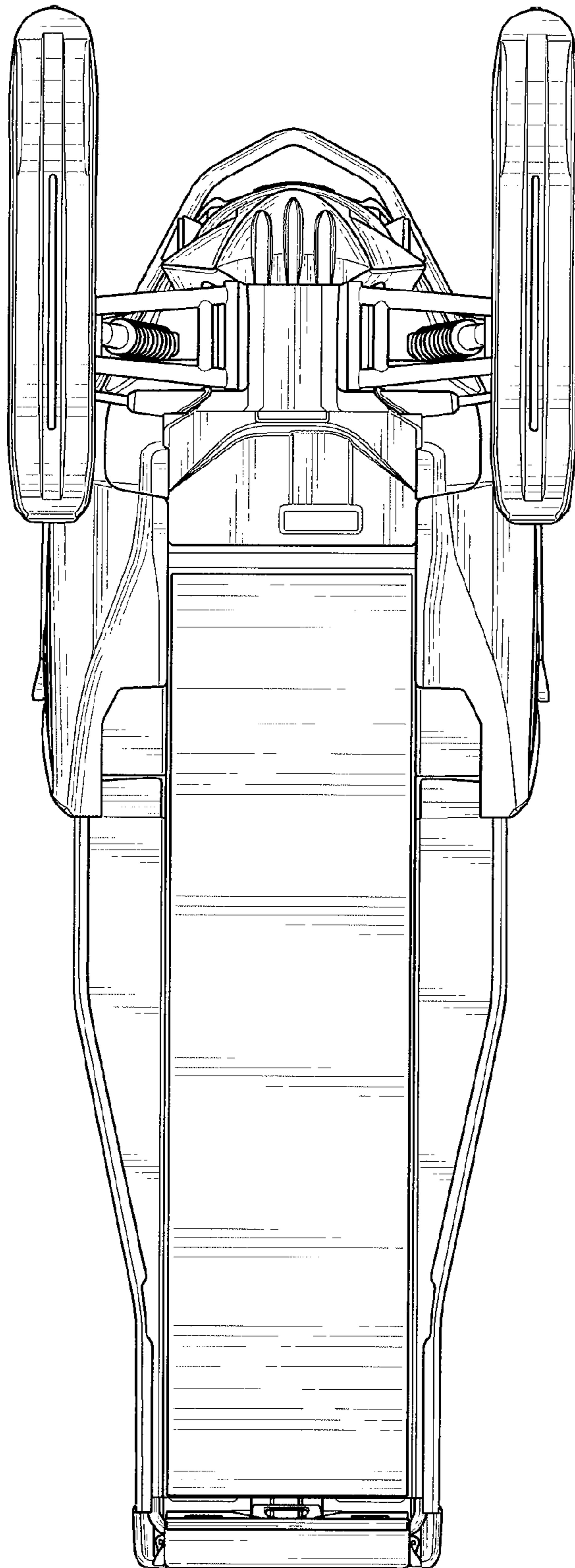


FIG. 8