



US00D755667S

(12) **United States Design Patent**
Earnshaw

(10) **Patent No.:** **US D755,667 S**

(45) **Date of Patent:** **** May 10, 2016**

- (54) **HOLOGRAPHIC COIN**
- (71) Applicant: **Dubadeca Holdings Ltd., White Rock (CA)**
- (72) Inventor: **John Earnshaw, North Saanich (CA)**
- (73) Assignee: **DUBADECA HOLDINGS LTD., White Rock (CA)**
- (**) Term: **14 Years**
- (21) Appl. No.: **29/518,012**
- (22) Filed: **Feb. 19, 2015**
- (51) **LOC (10) Cl.** **11-03**
- (52) **U.S. Cl.**
USPC **D11/95**
- (58) **Field of Classification Search**
USPC D11/30, 40, 44, 48, 60, 79, 81, 86,
D11/95-116, 125, 131, 133, 149, 157, 211,
D11/217, 219, 223, 1, 222; 63/1.11, 13,
63/18-20; D99/17, 23, 25, 27, 30, 34-35;
428/3; D8/348; 40/358; 206/575;
273/123 R; 473/16; D21/753, 783;
D6/690, 695.3; D19/59
CPC A44C 15/001; A44C 9/0053; A44C
15/0015; A44C 1/00; A44C 15/00; A44C
7/00; A44C 25/004; A44C 5/0092; A44C
11/002; A47G 33/02; B44D 3/04; B43L 3/00;
C07K 14/415; A63F 7/0005; A63D 15/02
See application file for complete search history.

(56) **References Cited**

U.S. PATENT DOCUMENTS

- 803,520 A * 10/1905 Arney A63F 7/0005
273/123 R
- 3,801,097 A * 4/1974 Van Derhei A63D 15/02
473/16
- D259,744 S * 6/1981 Robert D99/35
- D275,507 S * 9/1984 Kramer D21/783

- D286,389 S * 10/1986 Davidson D11/114
- D313,708 S * 1/1991 Frank D6/690
- D319,414 S * 8/1991 Moore D11/131
- D325,139 S * 4/1992 Jeghers D6/695.3
- D325,712 S * 4/1992 Griffith D11/95
- D342,919 S * 1/1994 Levy D11/101
- D347,928 S * 6/1994 Starke D99/34
- D372,286 S * 7/1996 Fortini D21/753
- D449,791 S * 10/2001 Clark D11/101
- D486,183 S * 2/2004 DeMaison D19/59
- D507,987 S * 8/2005 Davis D11/95
- D510,470 S * 10/2005 Agemura D11/107
- D513,355 S * 12/2005 Agemura D11/107
- D569,575 S * 5/2008 Yalinkaya D99/34
- D587,160 S * 2/2009 Beyrich D11/116
- D615,448 S * 5/2010 Jederman D11/107
- D621,293 S * 8/2010 Lawrence D11/102
- D685,668 S * 7/2013 Guerrero, II D11/79
- D726,590 S * 4/2015 Riviere D11/222
- D729,690 S * 5/2015 Riviere D11/222
- D734,629 S * 7/2015 Sorel D6/690

* cited by examiner

Primary Examiner — T. Chase Nelson

Assistant Examiner — Mark Cavanna

(74) *Attorney, Agent, or Firm* — Davis & Bujold PLLC;
Michael J. Bujold

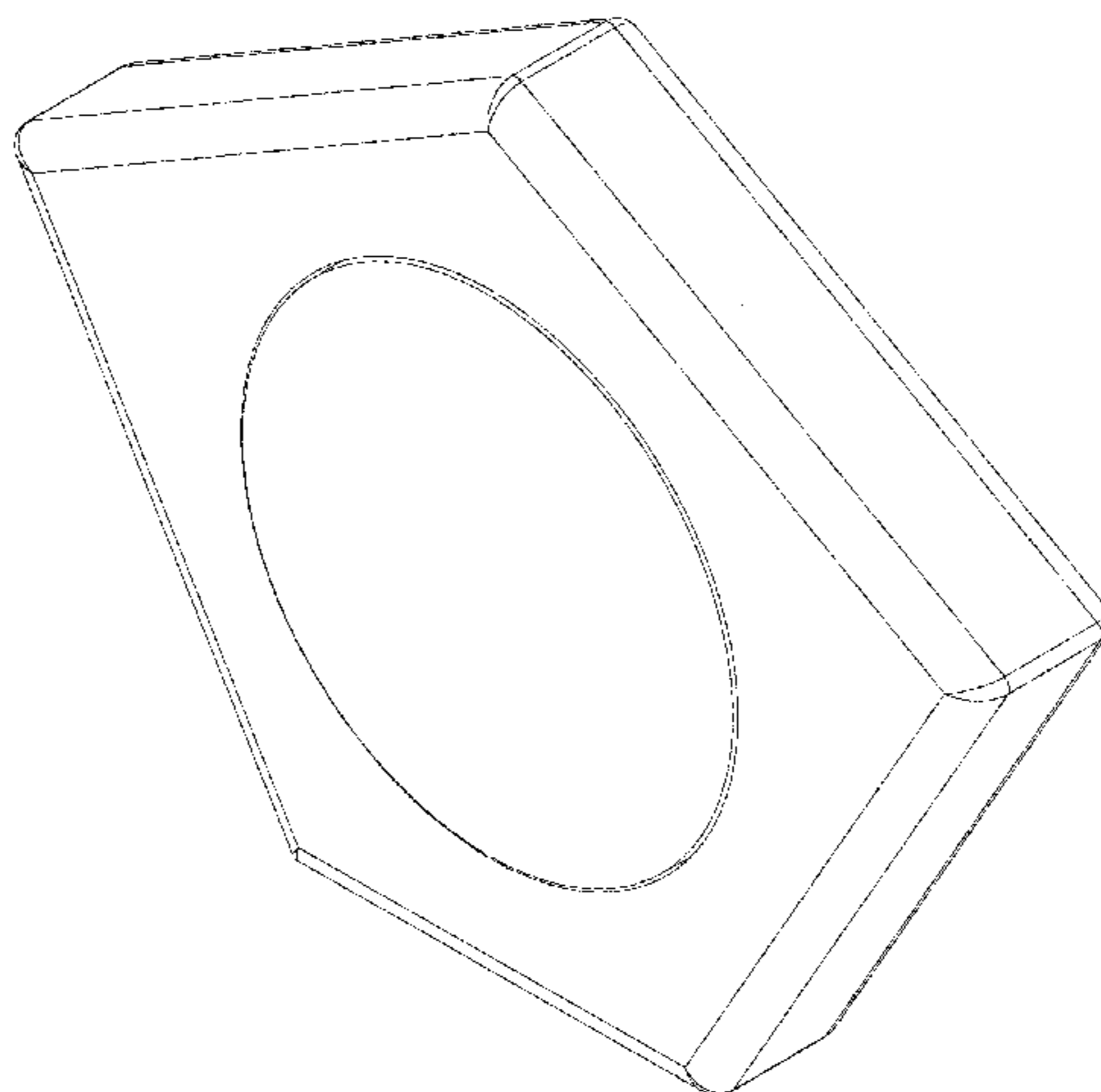
(57) **CLAIM**

I claim the ornamental design for a holographic coin, as shown and described.

DESCRIPTION

FIG. 1 is a perspective view of a holographic coin
 FIG. 2 is a front elevation view of the holographic coin of FIG. 1, (the rear elevation view being a mirror image)
 FIG. 3 is a top plan view of the holographic coin of FIG. 1; and,
 FIG. 4 is a right side enlarged elevation view of the holographic coin of FIG. 1 (the left side elevation view being a mirror image).

1 Claim, 4 Drawing Sheets



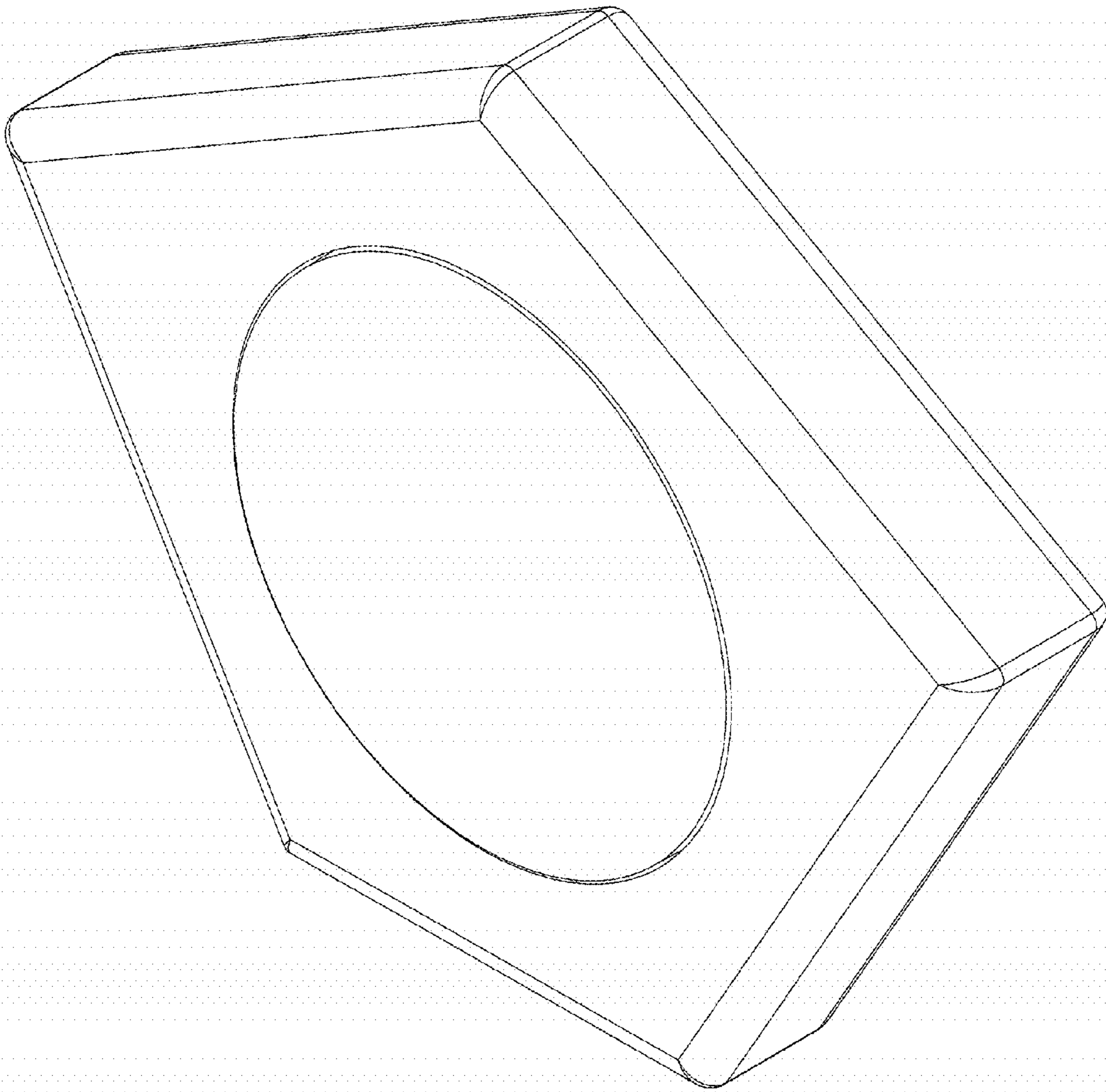


FIGURE 1

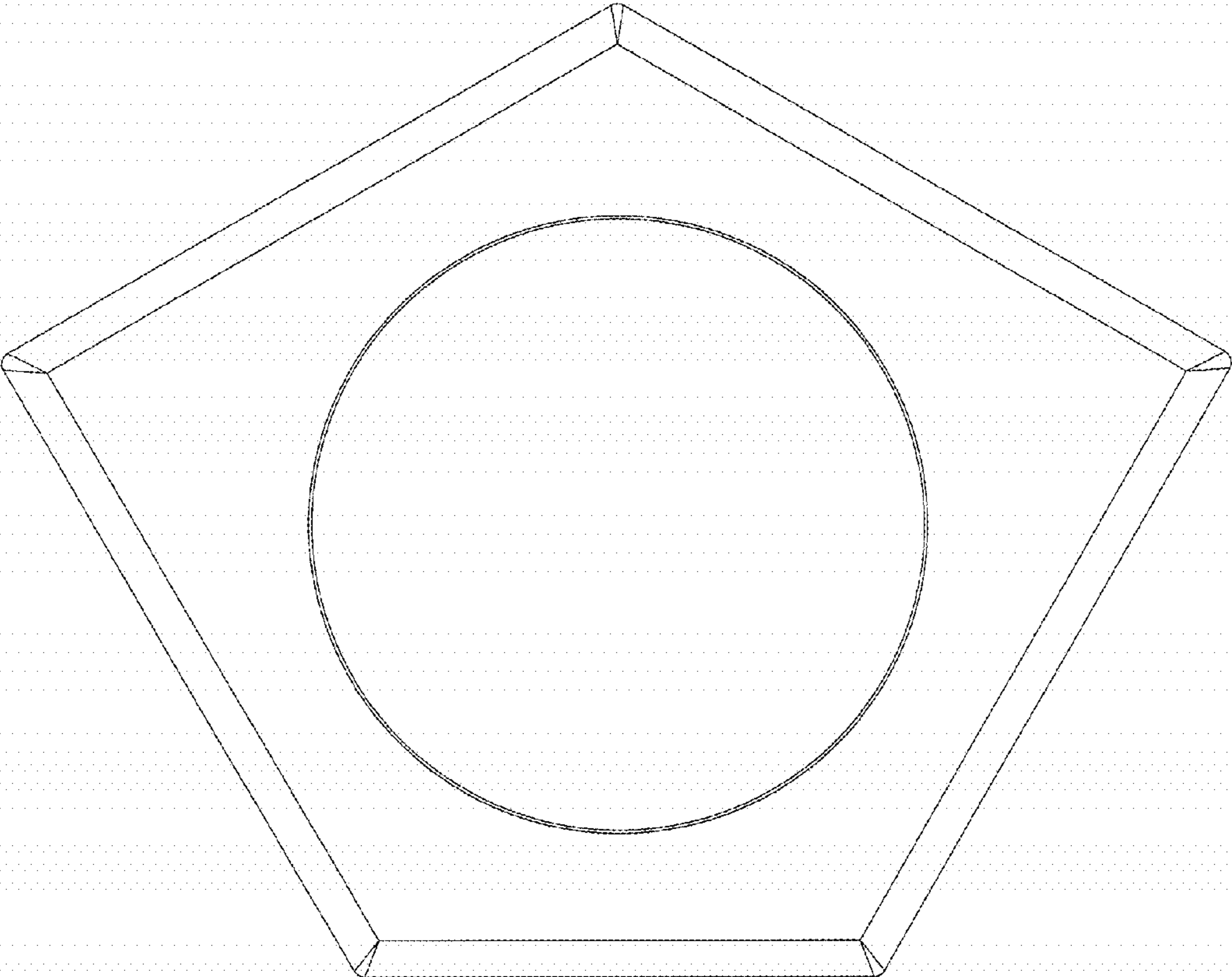


FIGURE 2

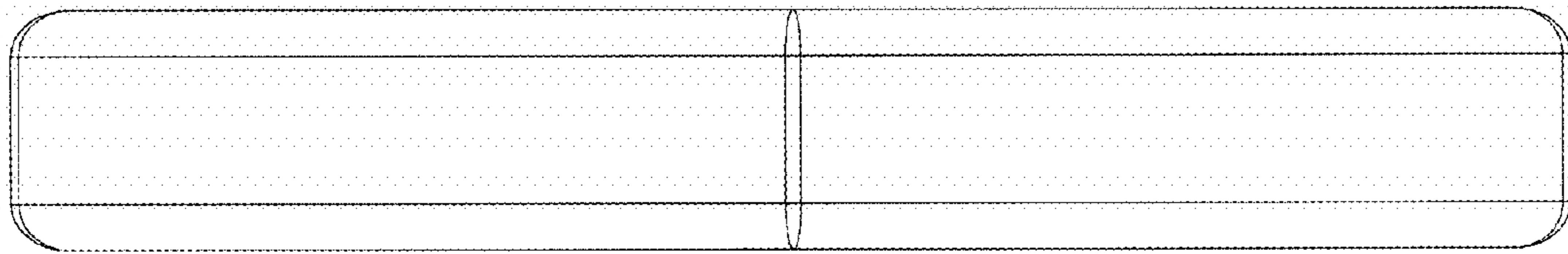


FIGURE 3

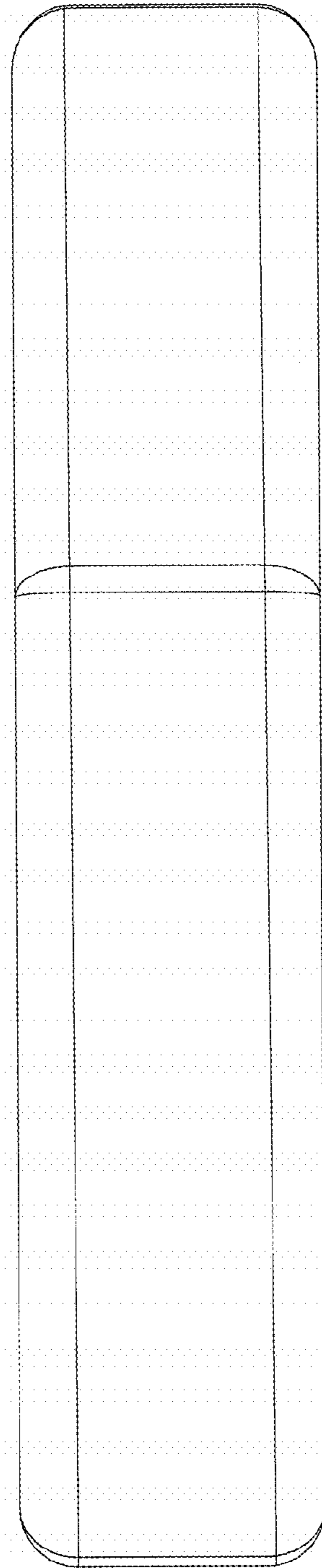


FIGURE 4