



US00D755666S

(12) **United States Design Patent**
Cipolla

(10) **Patent No.:** **US D755,666 S**

(45) **Date of Patent:** **** May 10, 2016**

(54) **JEWELRY SETTING**

(71) Applicant: **Steven A. Cipolla**, Warwick, RI (US)

(72) Inventor: **Steven A. Cipolla**, Warwick, RI (US)

(73) Assignee: **National Chain Company**, Warwick, RI (US)

(**) Term: **14 Years**

(21) Appl. No.: **29/515,253**

(22) Filed: **Jan. 21, 2015**

(51) **LOC (10) Cl.** **11-01**

(52) **U.S. Cl.**

USPC **D11/92**

(58) **Field of Classification Search**

USPC D11/1-3, 26-45, 75-94; 63/3, 3.1, 3.2, 63/12, 13, 14.1, 14.2, 14.3, 15, 15.1, 15.2, 63/15.3, 15.4, 15.45, 15.5, 15.6, 15.65, 63/15.7, 15.8, 15.9, 18, 20, 26, 27, 28, 63/29.1, 29.2, 30, 31, 32

CPC A44C 17/04; A44C 17/046; A44C 17/005; A44C 17/00; A44C 17/001; A44C 25/001; A44C 9/0053; A44C 9/0061; A44C 9/0046; A44C 9/02; A44C 9/0084; A44C 7/00; A44C 15/001; A44C 15/0035; Y10T 29/49593; Y10T 29/23

See application file for complete search history.

(56) **References Cited**

U.S. PATENT DOCUMENTS

D260,862 S	*	9/1981	Linzer	D11/92
D340,662 S		10/1993	Cipolla		
D340,663 S		10/1993	Cipolla		
D420,936 S	*	2/2000	Murray	D11/92
D546,235 S	*	7/2007	Sabet	D11/91
D602,807 S	*	10/2009	Colombani	D11/92
D610,034 S	*	2/2010	Colombani	D11/36

(Continued)

Primary Examiner — Cynthia Ramirez

Assistant Examiner — Llorellys Martinez-Rivera

(74) *Attorney, Agent, or Firm* — Salter & Michaelson

(57) **CLAIM**

The ornamental design for a jewelry setting, as shown and described.

DESCRIPTION

FIG. 1 is a perspective view of a first embodiment of a jewelry setting showing my new design;

FIG. 2 is another perspective view of a first embodiment thereof;

FIG. 3 is a front elevational view of a first embodiment thereof;

FIG. 4 is a rear elevational view of a first embodiment thereof;

FIG. 5 is a left side elevational view of a first embodiment thereof;

FIG. 6 is a right side elevational view of a first embodiment thereof;

FIG. 7 is a top plan view of a first embodiment thereof;

FIG. 8 is a bottom plan view of a first embodiment thereof;

FIG. 9 is a perspective view of a second embodiment of a jewelry setting;

FIG. 10 is a front elevational view of a second embodiment thereof;

FIG. 11 is a rear elevational view of a second embodiment thereof;

FIG. 12 is a left side elevational view of a second embodiment thereof;

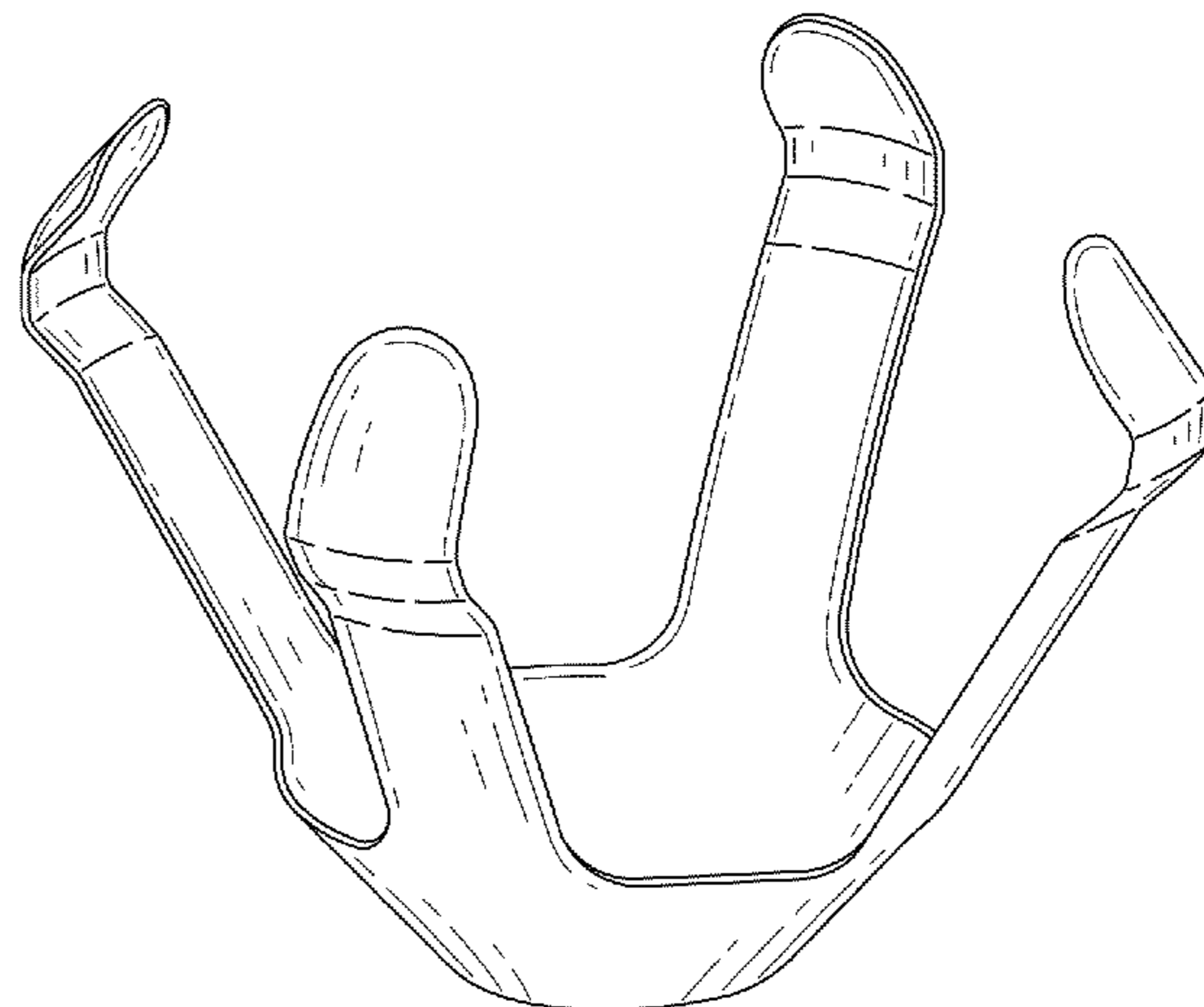
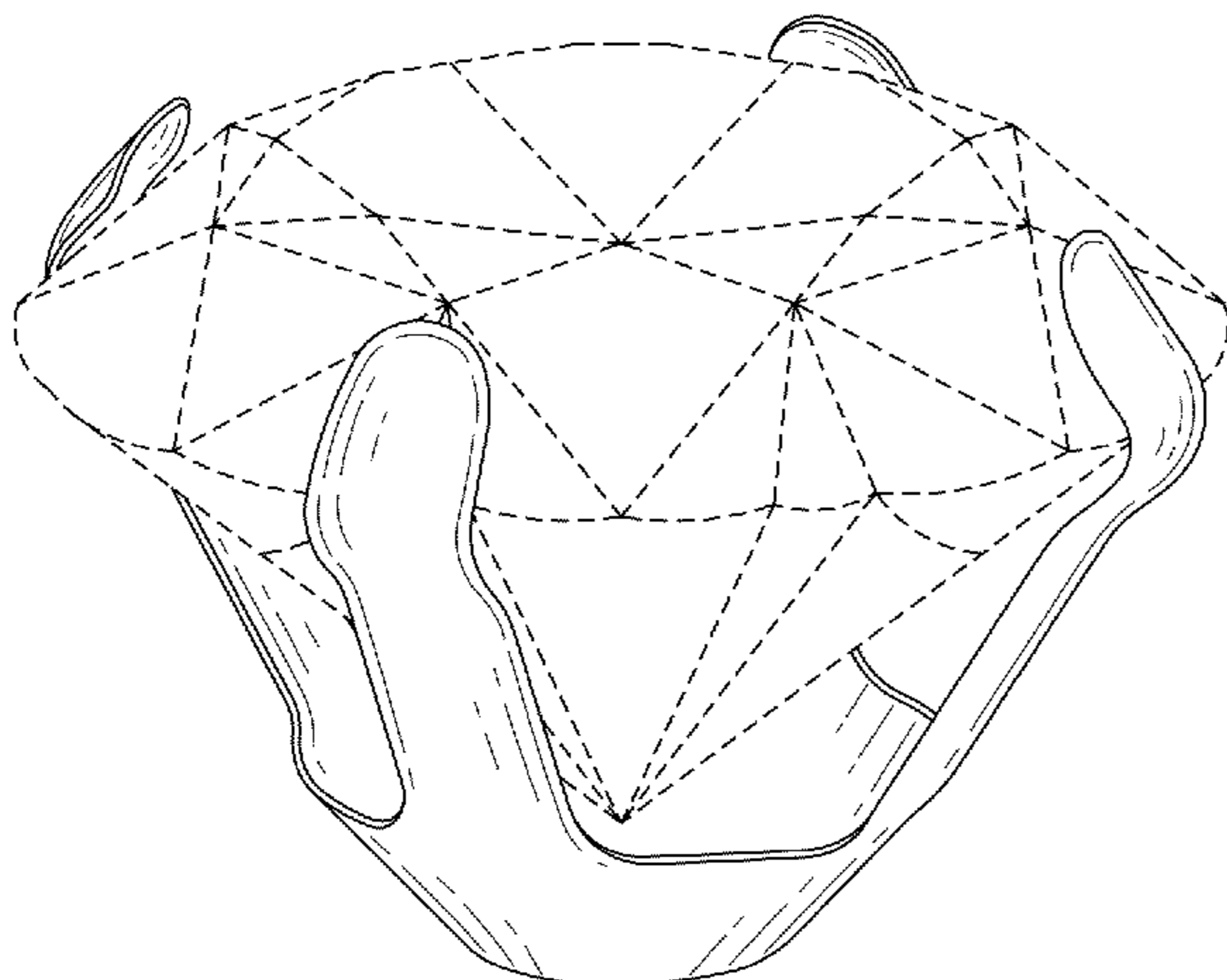
FIG. 13 is a right side elevational view of a second embodiment thereof.

FIG. 14 is a top plan view of a second embodiment thereof; and,

FIG. 15 is a bottom plan view of a second embodiment thereof.

The broken lines shown in the drawing views are included for the purpose of showing environmental structure that forms no part of the claimed design.

1 Claim, 9 Drawing Sheets



(56)

References Cited

U.S. PATENT DOCUMENTS

D628,113 S * 11/2010 Papadimitriou D11/40
D639,692 S * 6/2011 Papadimitriou D11/40
D639,693 S * 6/2011 Papadimitriou D11/40
D695,642 S 12/2013 Cipolla
D702,584 S 4/2014 Cipolla
D703,577 S 4/2014 Cipolla

8,904,744 B1 12/2014 Cipolla
8,931,251 B1 1/2015 Cipolla
D726,068 S * 4/2015 Minister D11/36
D727,202 S * 4/2015 Shlakman D11/34
D729,106 S * 5/2015 Shlakman D11/26
2007/0256452 A1* 11/2007 Aghjayan A44C 17/0283
63/26
2014/0345322 A1* 11/2014 Logian A44C 13/00
63/12

* cited by examiner

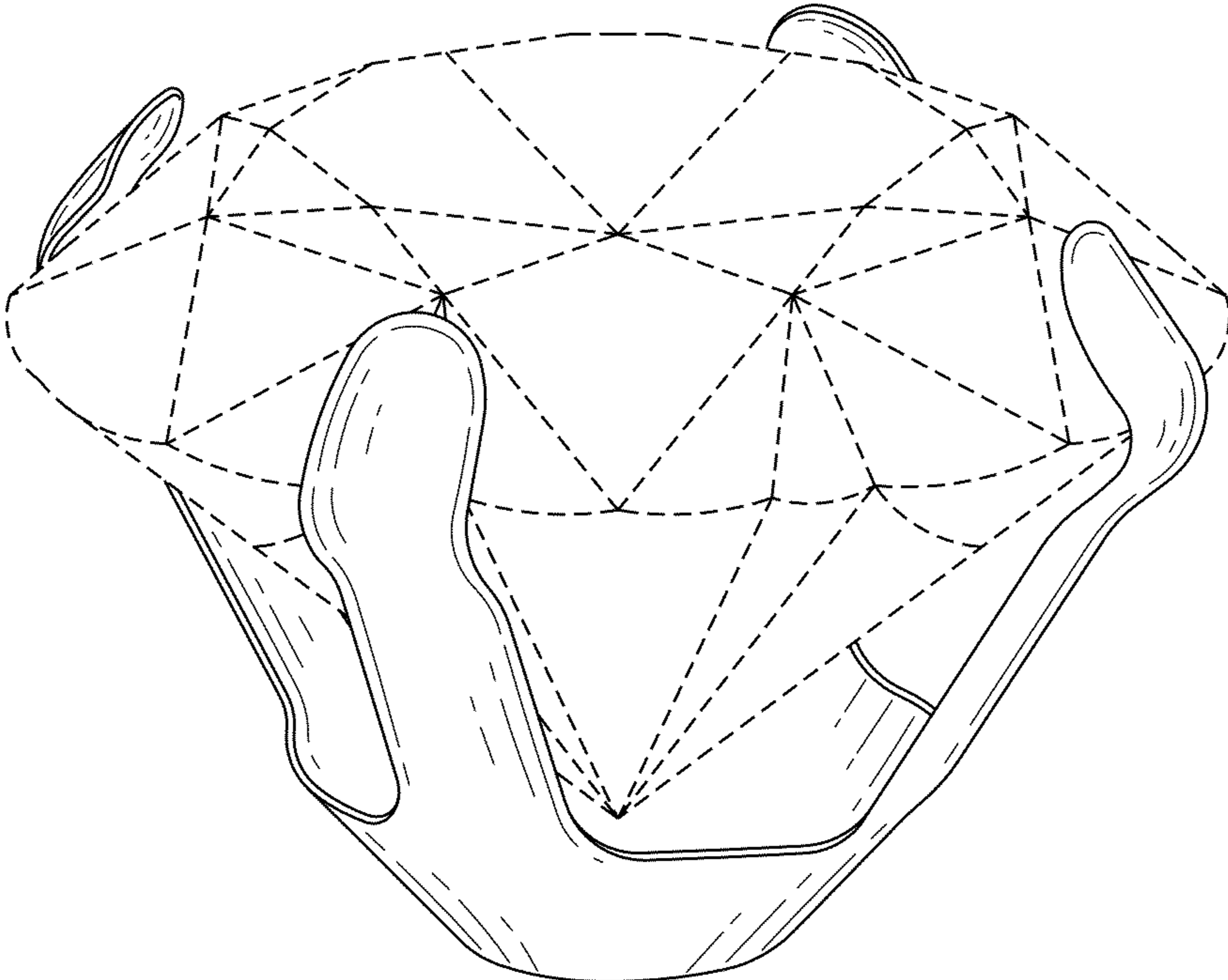


FIG. 1

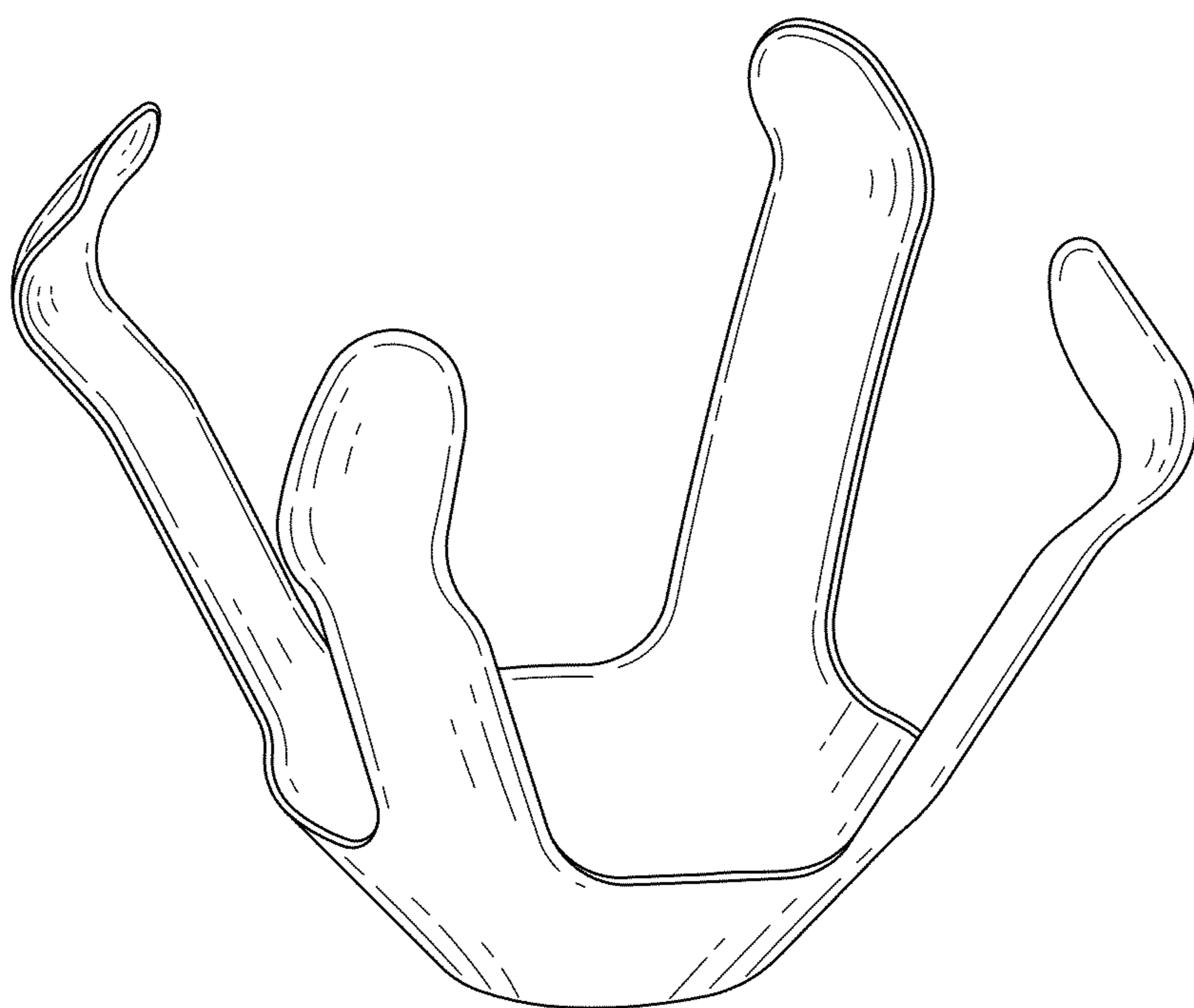


FIG. 2

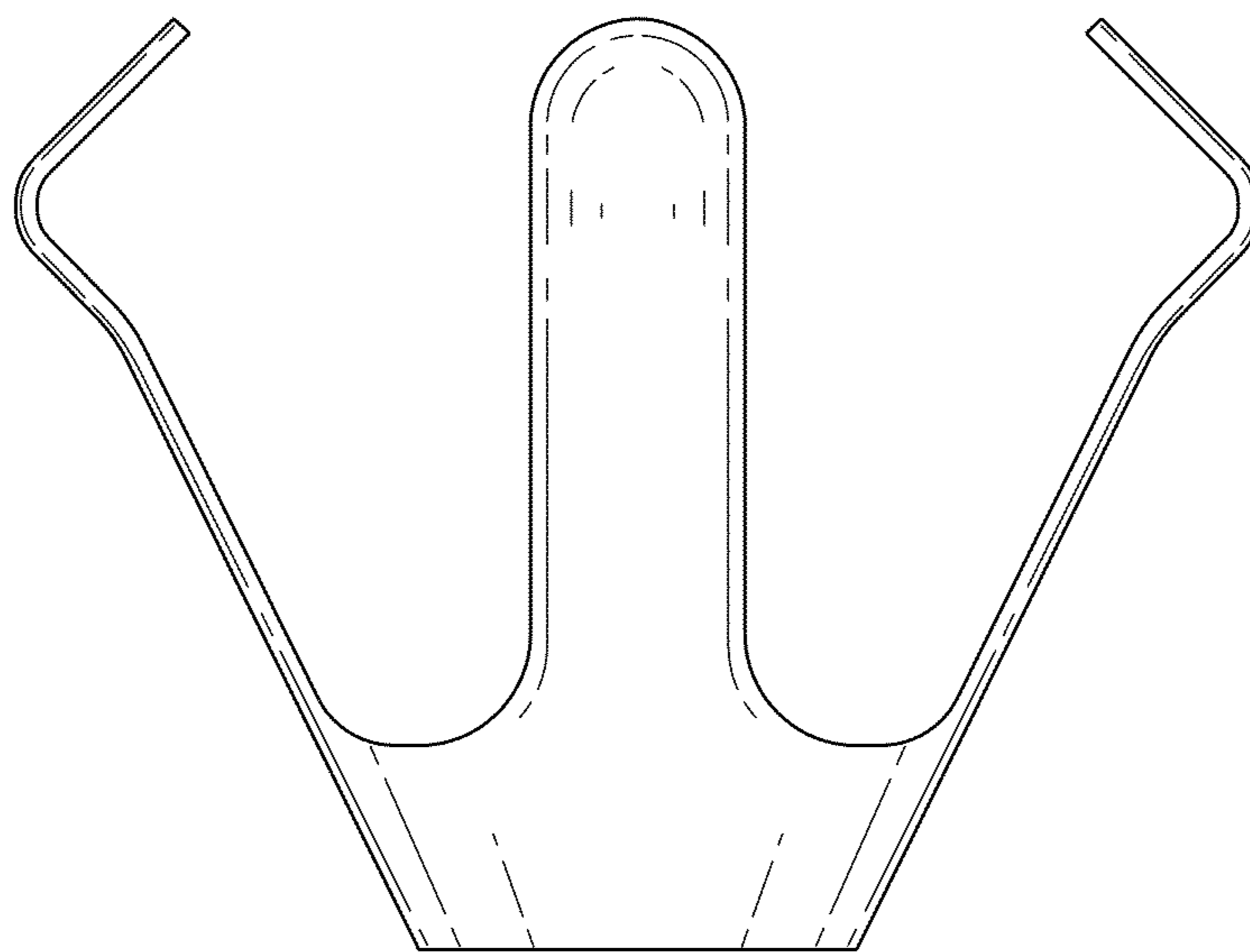


FIG. 3

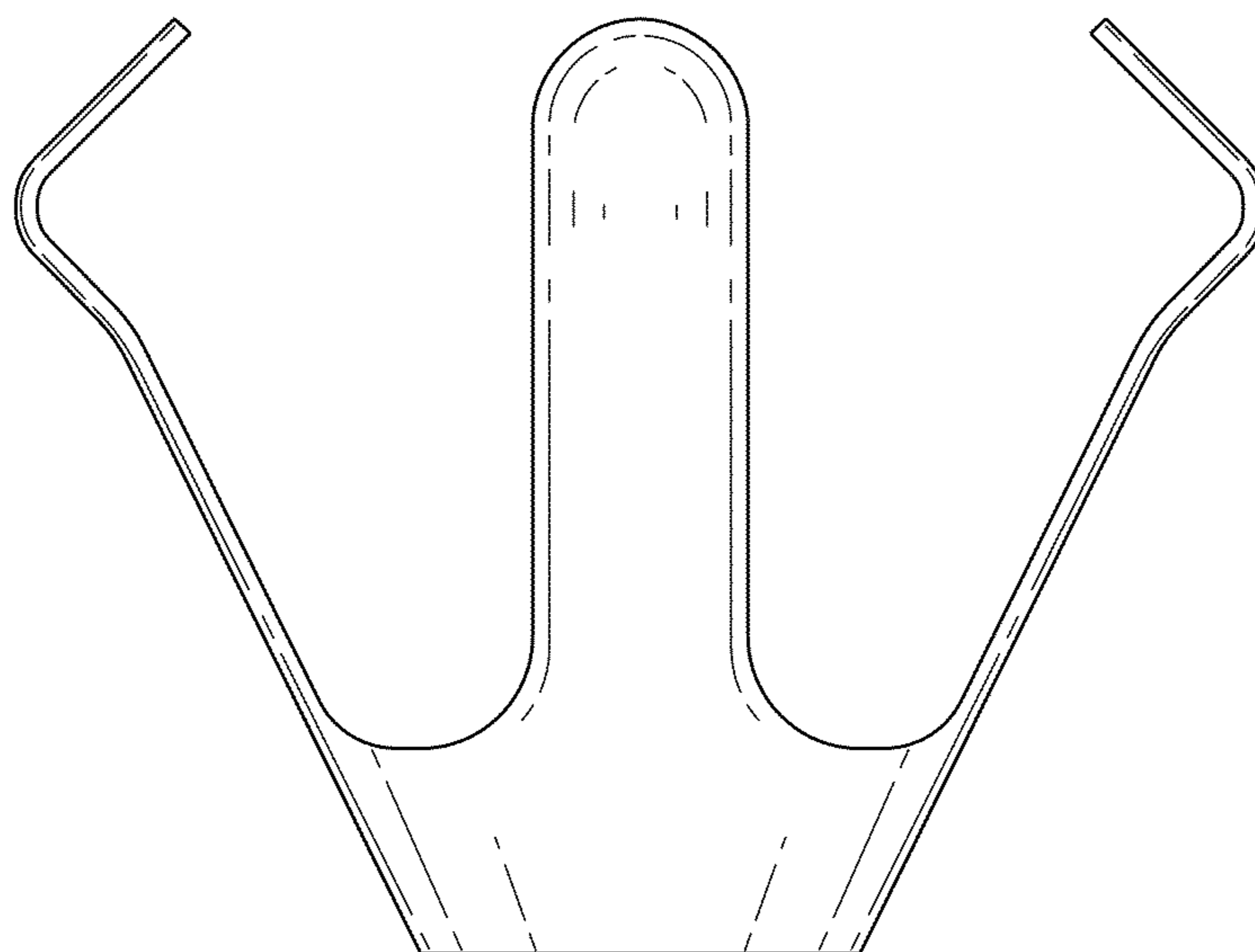


FIG. 4

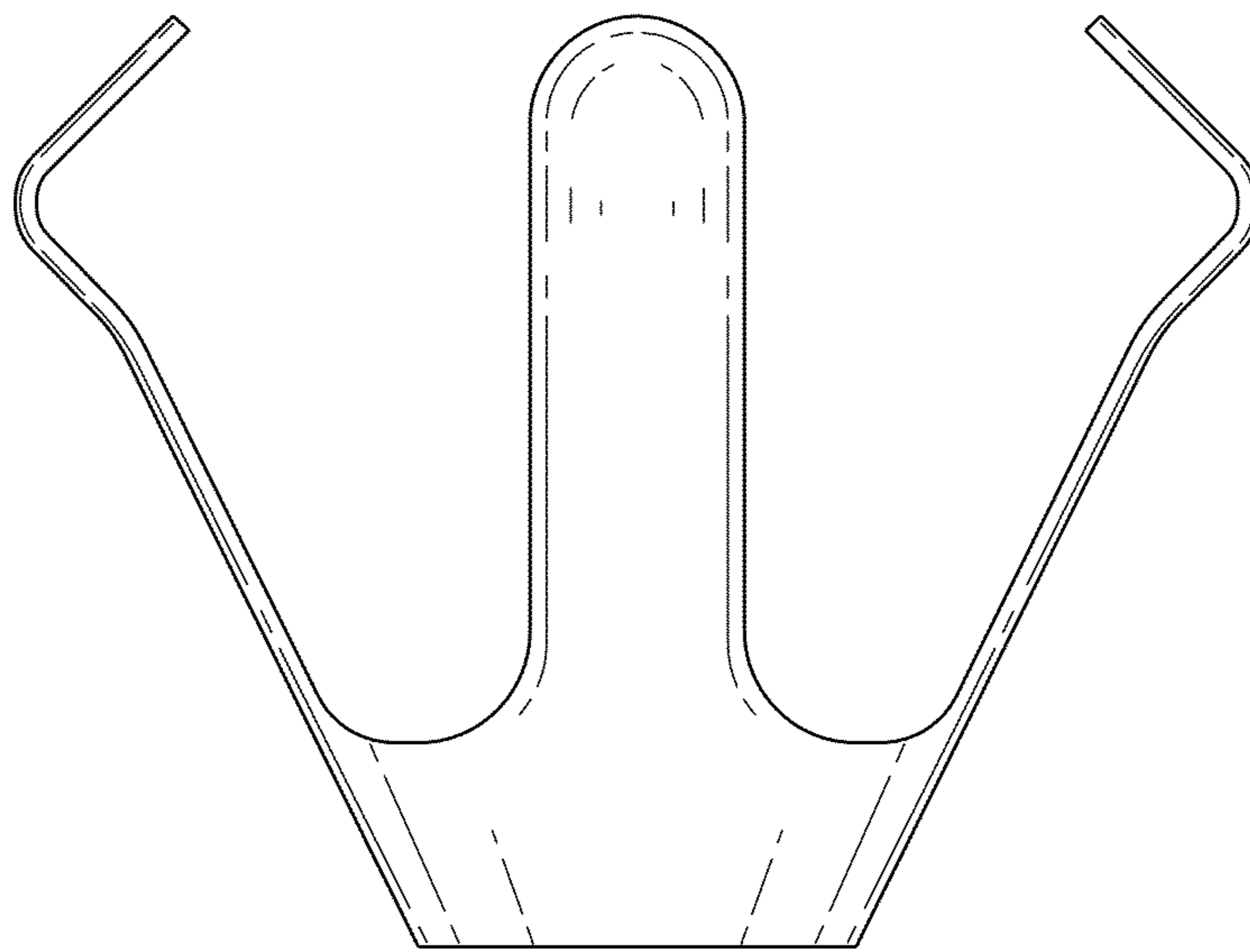


FIG. 5

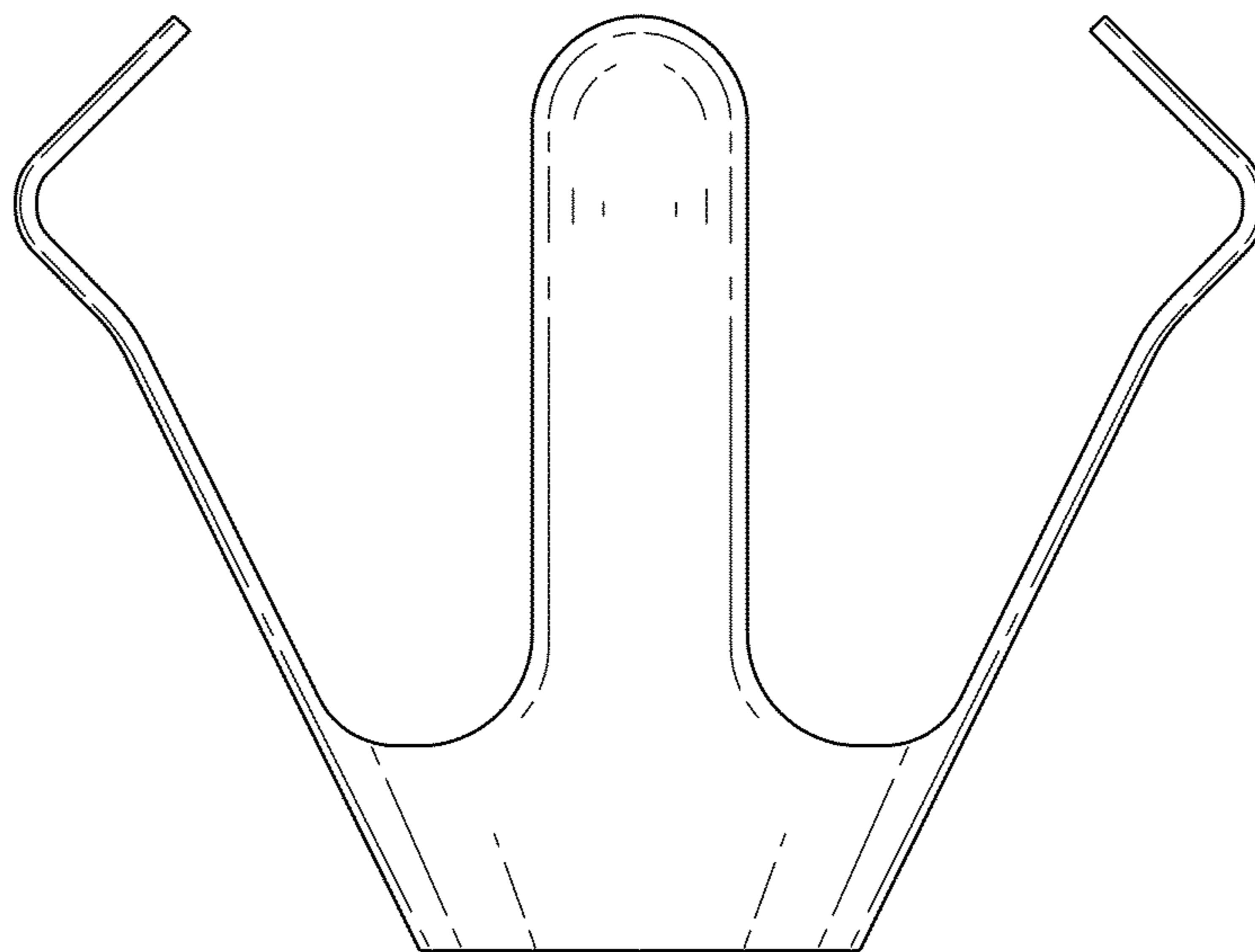


FIG. 6

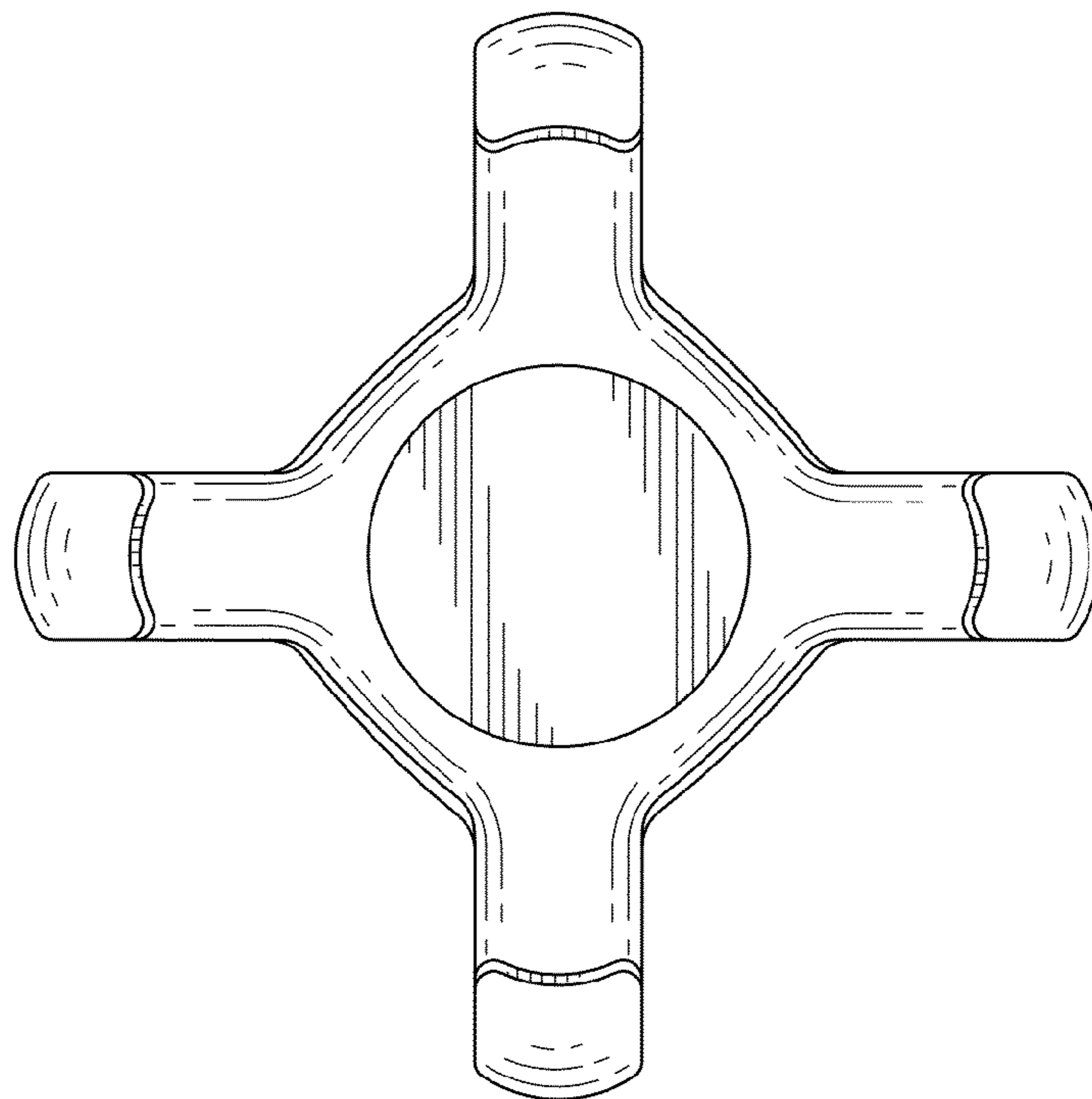


FIG. 7

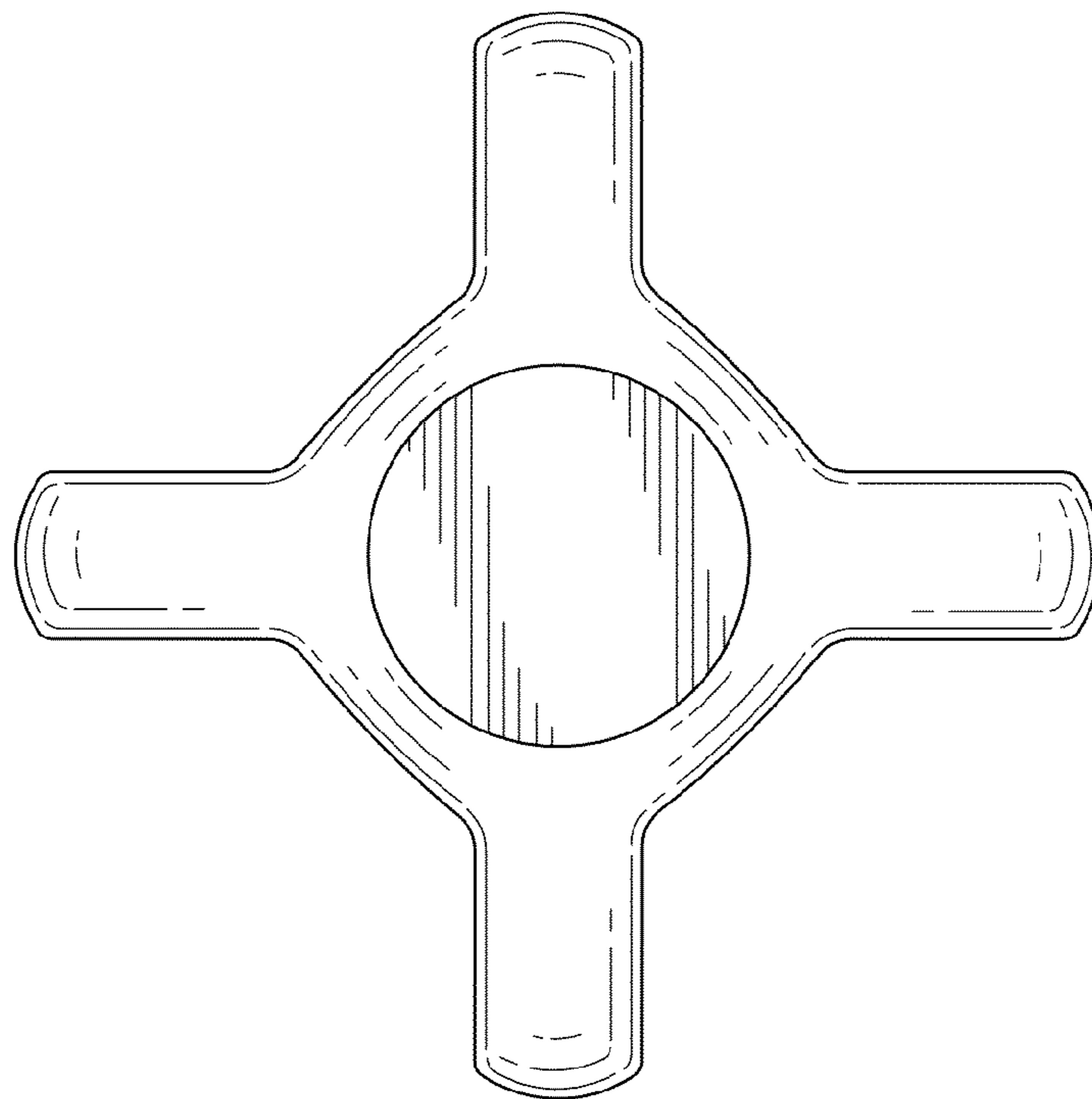


FIG. 8

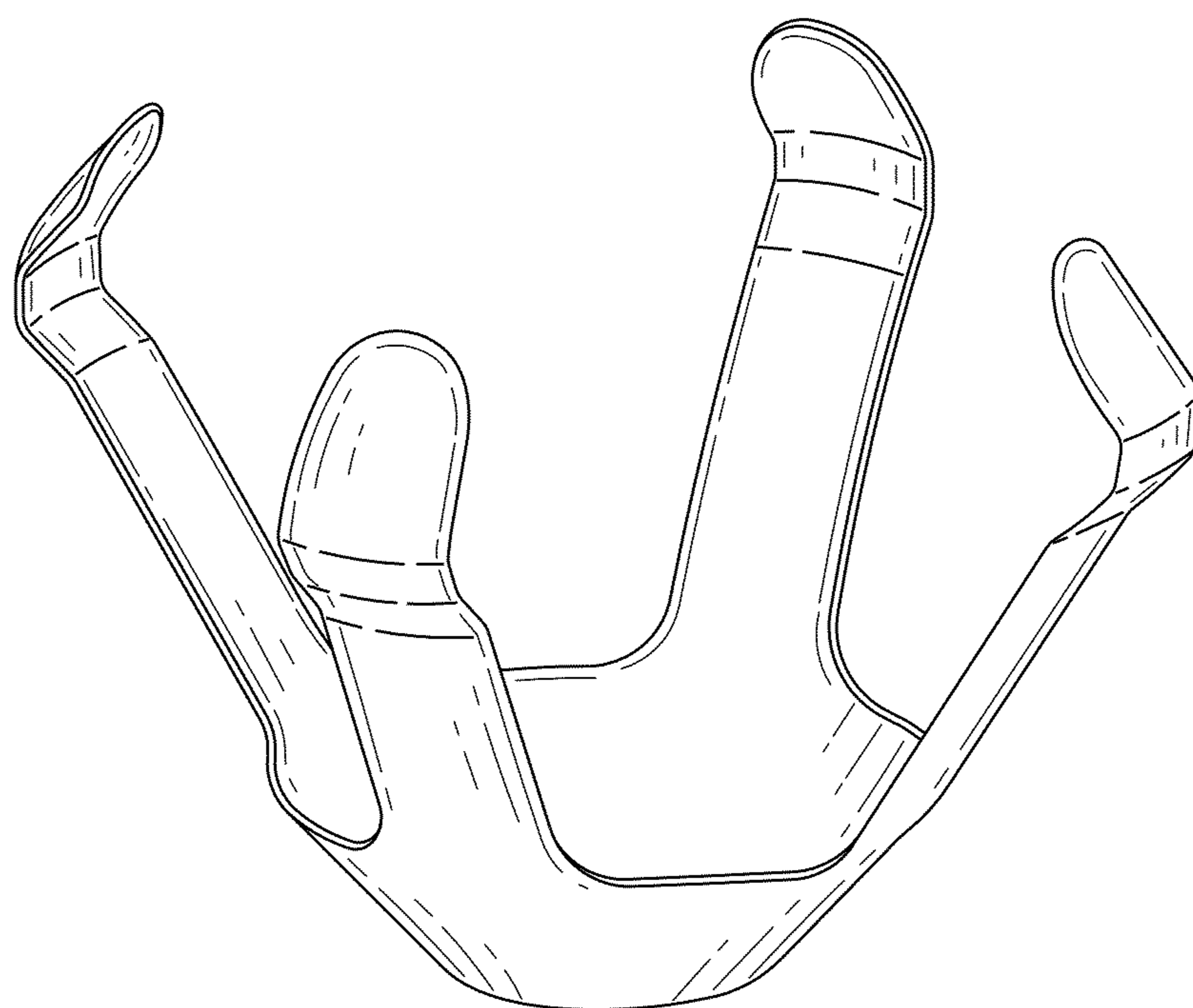


FIG. 9

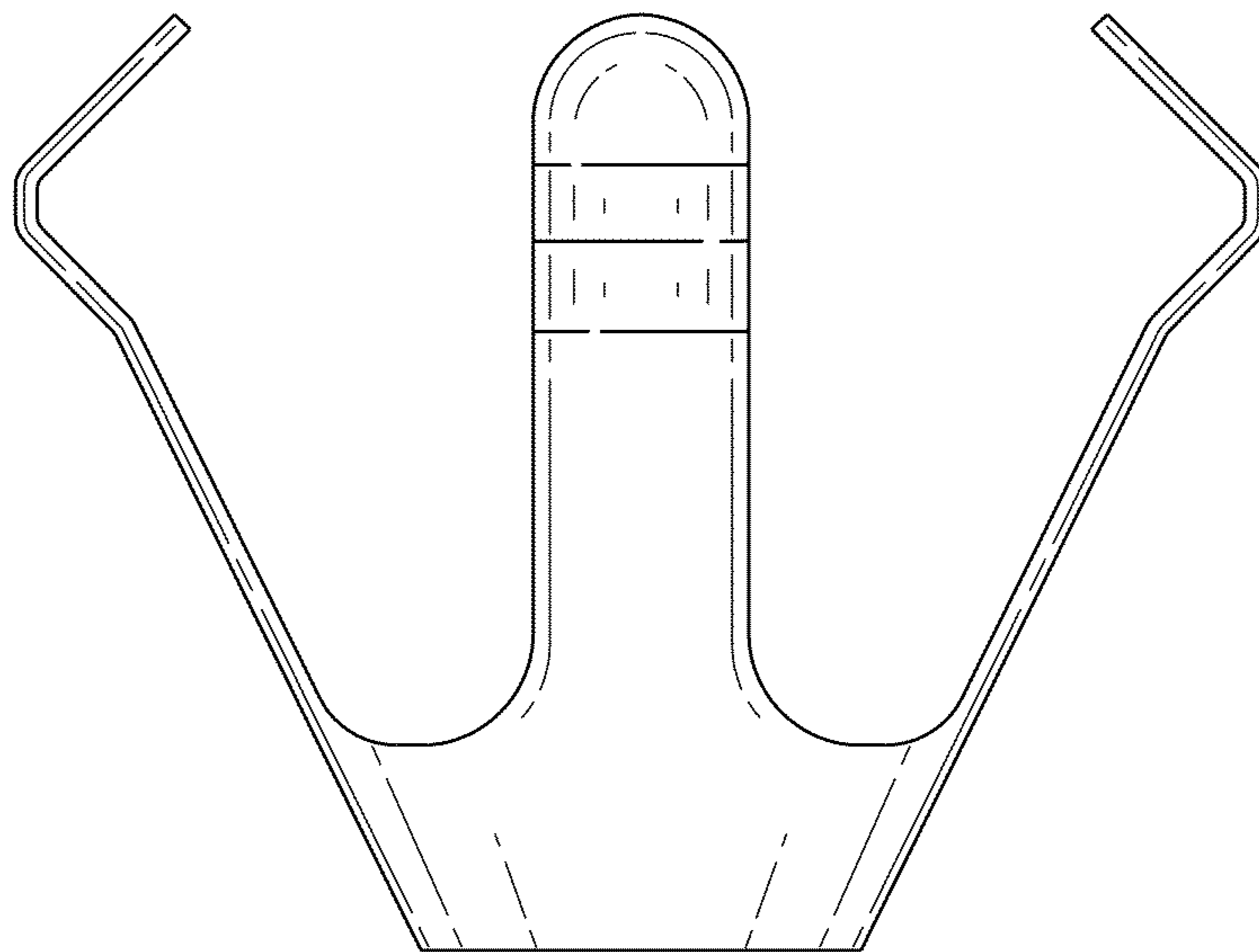


FIG. 10

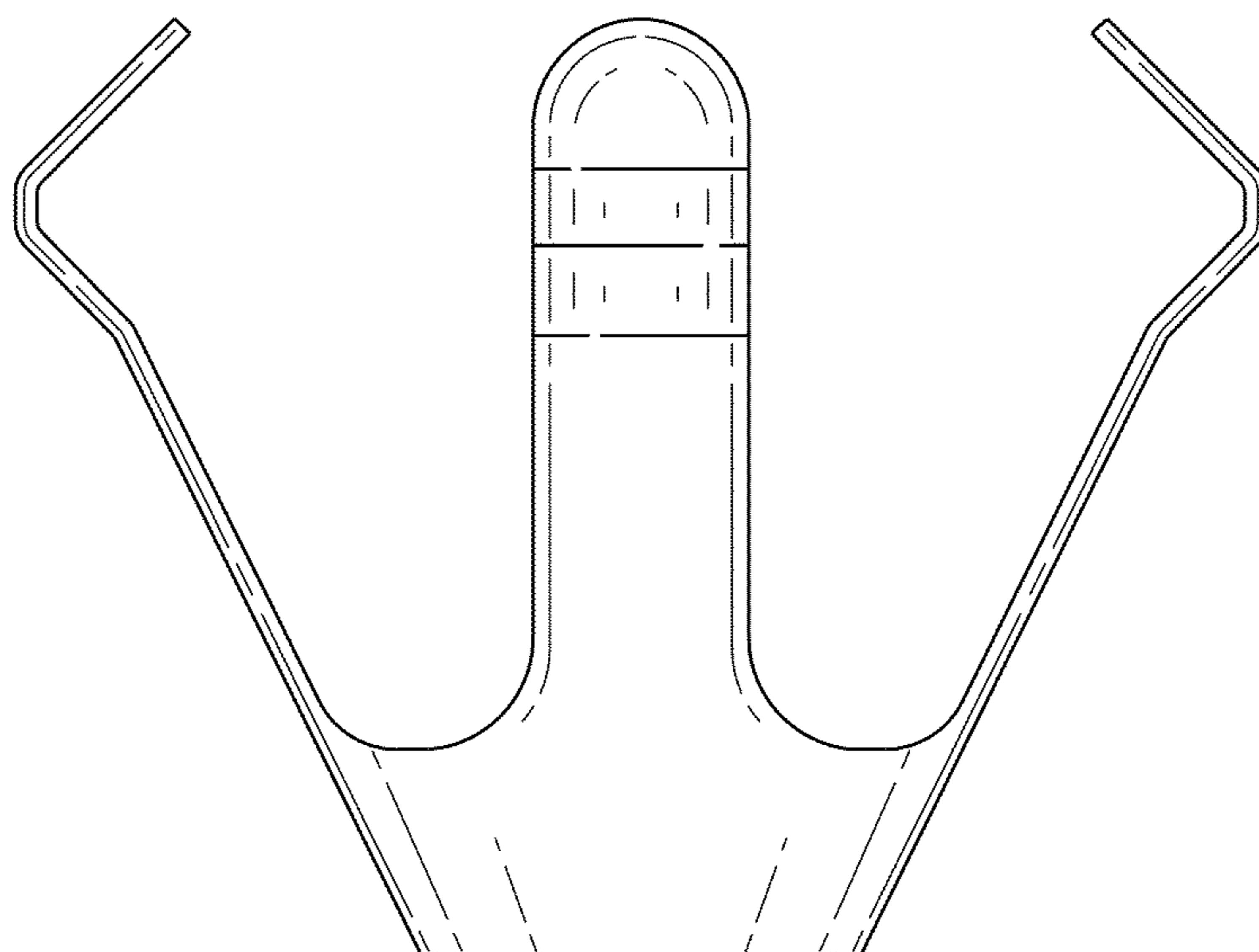


FIG. 11

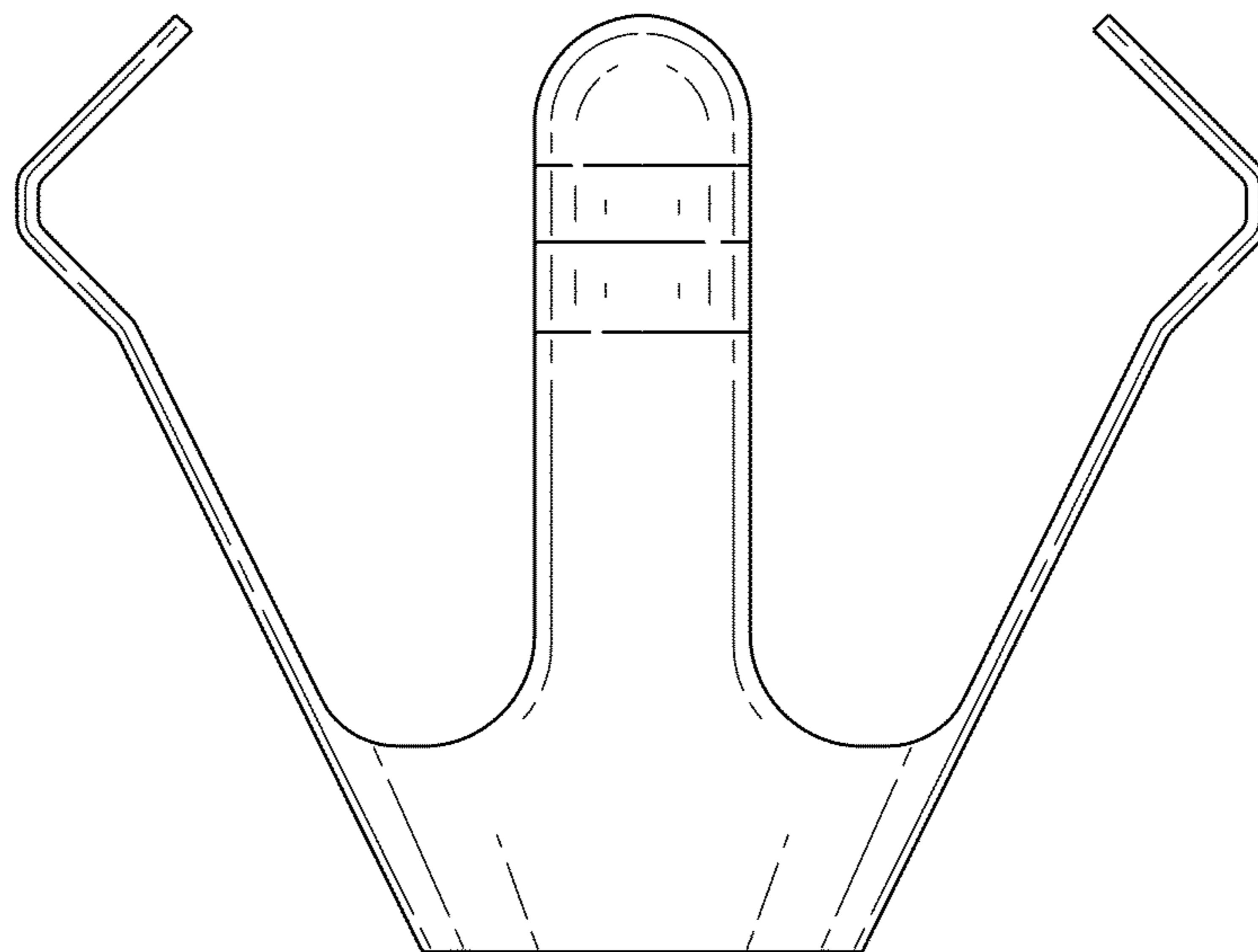


FIG. 12

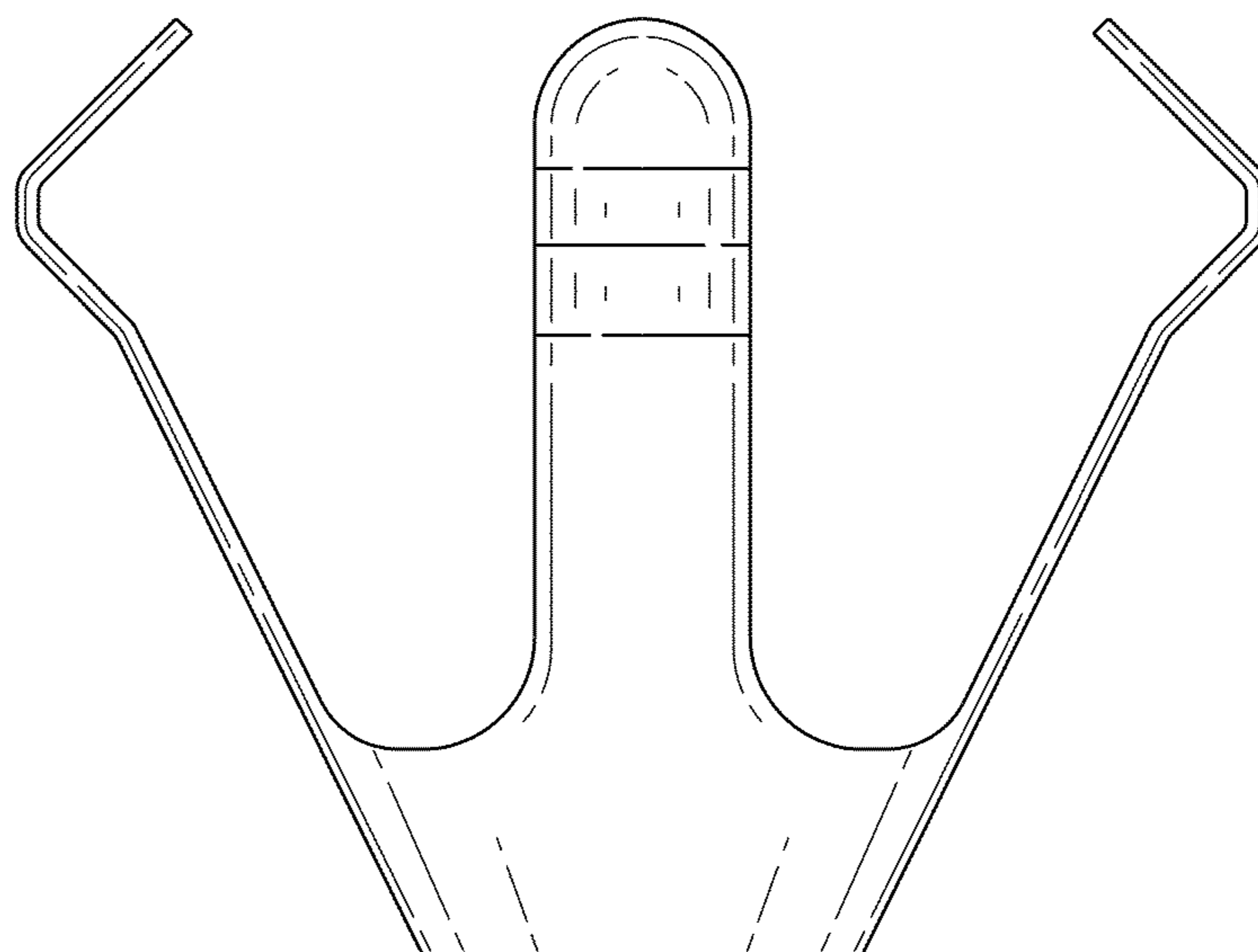


FIG. 13

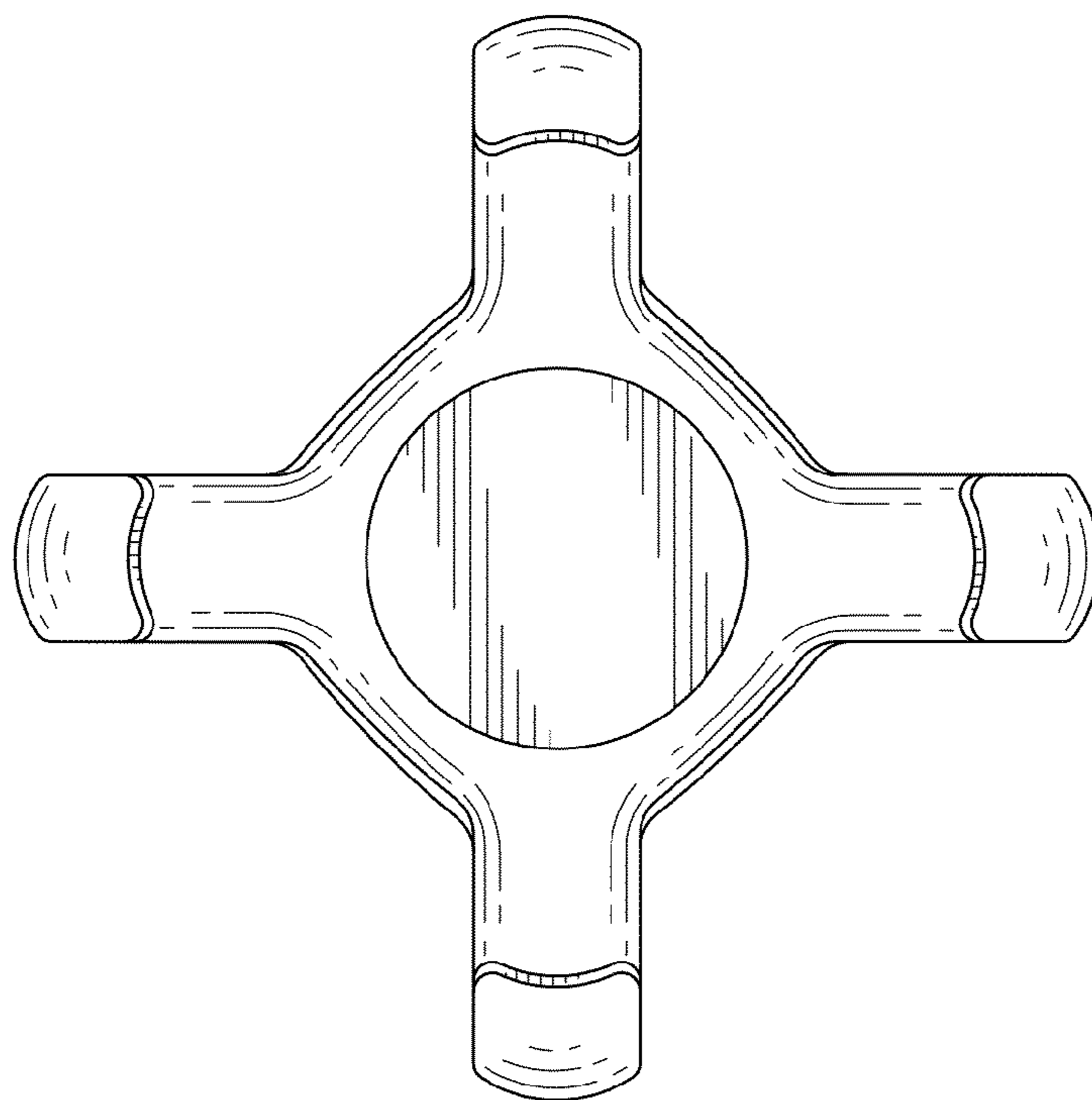


FIG. 14

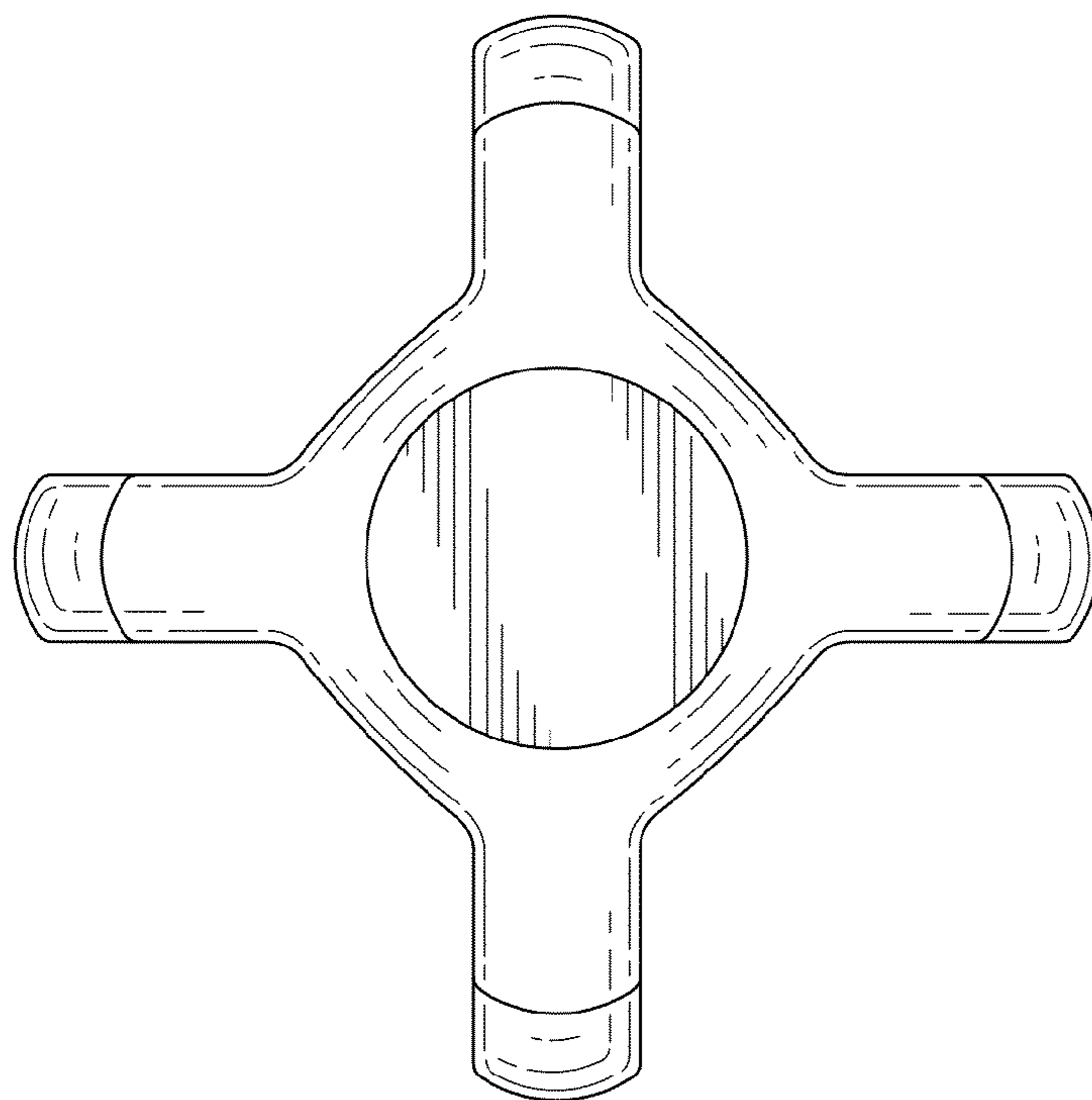


FIG. 15