



US00D755663S

(12) **United States Design Patent**  
**Javaheri**

(10) **Patent No.:** **US D755,663 S**  
(45) **Date of Patent:** **\*\* May 10, 2016**

(54) **JEWELRY ARTICLE**

(71) Applicant: **Amden Jewelry, Inc.**, Los Angeles, CA (US)

(72) Inventor: **Patrick Javaheri**, Los Angeles, CA (US)

(73) Assignee: **AMDEN JEWELRY, INC.**, Los Angeles, CA (US)

(\*\*) Term: **14 Years**

(21) Appl. No.: **29/522,015**

(22) Filed: **Mar. 26, 2015**

(51) **LOC (10) Cl.** ..... **11-01**

(52) **U.S. Cl.**  
USPC ..... **D11/34**

(58) **Field of Classification Search**  
USPC ..... D11/1, 2, 3, 4, 5, 26-39, 91, 92  
CPC ..... A44C 5/00; A44C 5/0007; A44C 5/0015;  
A44C 5/003; A44C 5/053; A44C 9/00;  
A44C 9/0007; A44C 9/0014; A44C 9/0023;  
A44C 9/003; A44C 9/0038; A44C 9/0046;  
A44C 9/0053; A44C 9/0061; A44C 9/0069;  
A44C 9/0076; A44C 17/0258; A44C 17/0266;  
A44C 17/0275; A44C 17/0283; A44C 17/02;  
A44C 17/0208

See application file for complete search history.

(56) **References Cited**

**U.S. PATENT DOCUMENTS**

D68,149 S *	9/1925	Lindeberg	.....	D11/34
D451,045 S *	11/2001	Ambar	.....	D11/26
D454,085 S *	3/2002	Ambar	.....	D11/29
D455,976 S *	4/2002	Holland	.....	D11/61
D456,297 S *	4/2002	Ambar	.....	D11/26
D464,902 S *	10/2002	Ambar	.....	D11/34
D574,289 S *	8/2008	Karavani	.....	D11/91

D689,790 S	9/2013	Arvindbhai Mistry	
2008/0168800 A1 *	7/2008	Nisguretsky	..... A44C 9/0053 63/27
2015/0289610 A1 *	10/2015	Dholakiya	..... A44C 17/02 63/15.45

**OTHER PUBLICATIONS**

[Online] [http://jckmarketplace.jckonline.com/\\_novaimages/771816?v=635671360825630000](http://jckmarketplace.jckonline.com/_novaimages/771816?v=635671360825630000). Retrieved Feb. 3, 2016.\*  
[Online] [http://www.annjewelry.com/uploads1/jewelry\\_new\\_db/IJM/large/R6162WD.jpg](http://www.annjewelry.com/uploads1/jewelry_new_db/IJM/large/R6162WD.jpg). Retrieved Feb. 3, 2016.\*

\* cited by examiner

*Primary Examiner* — Garth Rademaker  
*Assistant Examiner* — Melanie Pellegrini  
(74) *Attorney, Agent, or Firm* — Blakely Sokoloff Taylor & Zafman LLP

(57) **CLAIM**

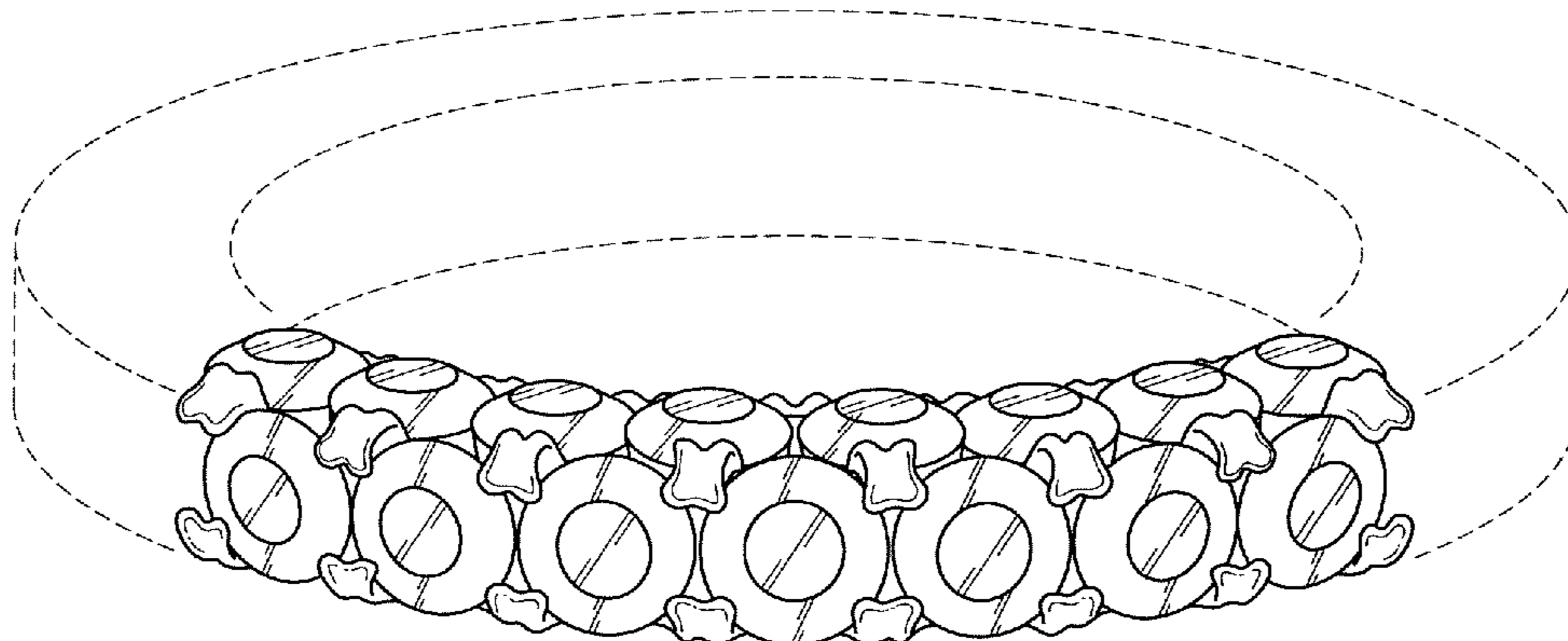
The ornamental design for a jewelry article, as shown and described.

**DESCRIPTION**

FIG. 1 is a top and side perspective view of a jewelry article illustrating my new design;  
FIG. 2 is a top and opposite side perspective view thereof;  
FIG. 3 is a top plan view thereof;  
FIG. 4 is a side elevational view thereof;  
FIG. 5 is an opposite side elevational view thereof;  
FIG. 6 is a bottom plan view thereof taken along the lines 6-6 shown in FIG. 4; and,  
FIG. 7 is an enlarged partial view thereof as indicated in FIG. 3.

The portions shown in dashed line in FIGS. 1-6 show the outline of a ring to which the design may be applied, but form no part of the claim. The dashed lines shown in FIG. 7 show an example of a cut which may be applied to one or more of the individual gemstones utilized in the design, but form no part of the claim.

**1 Claim, 6 Drawing Sheets**



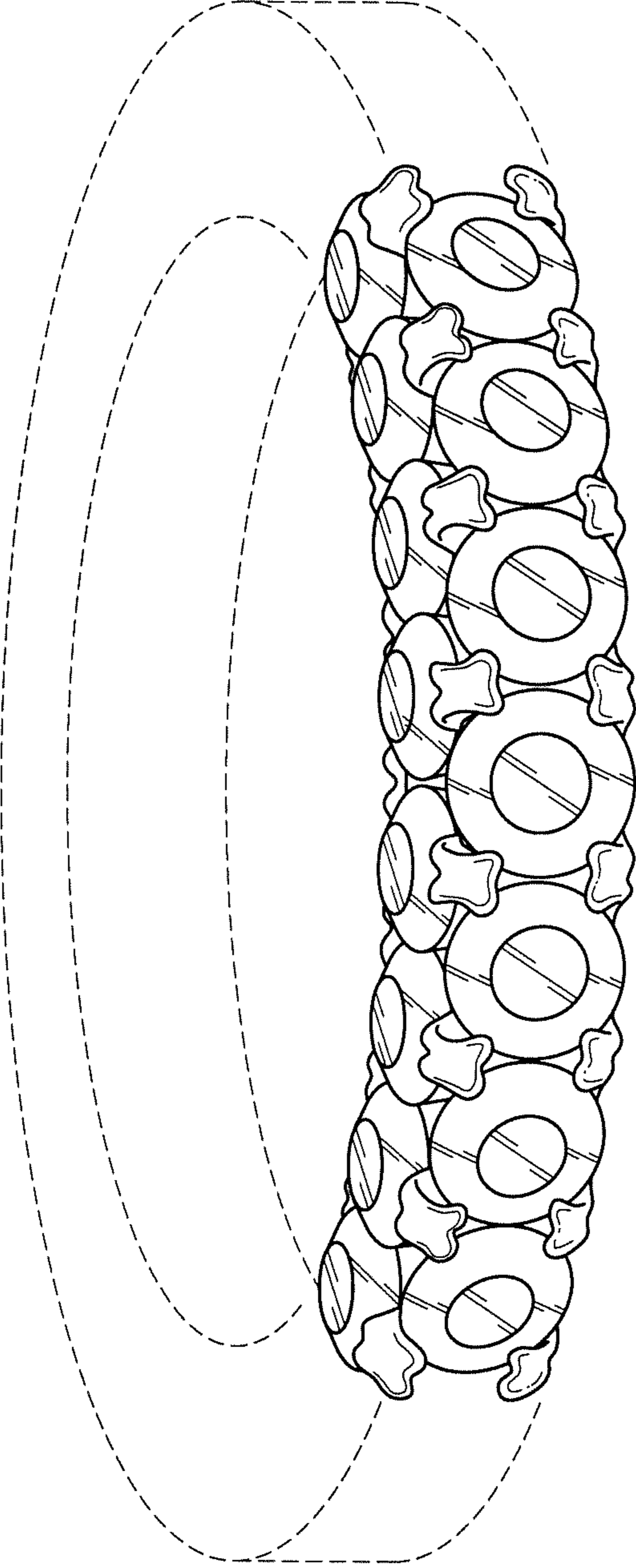


FIG. 1

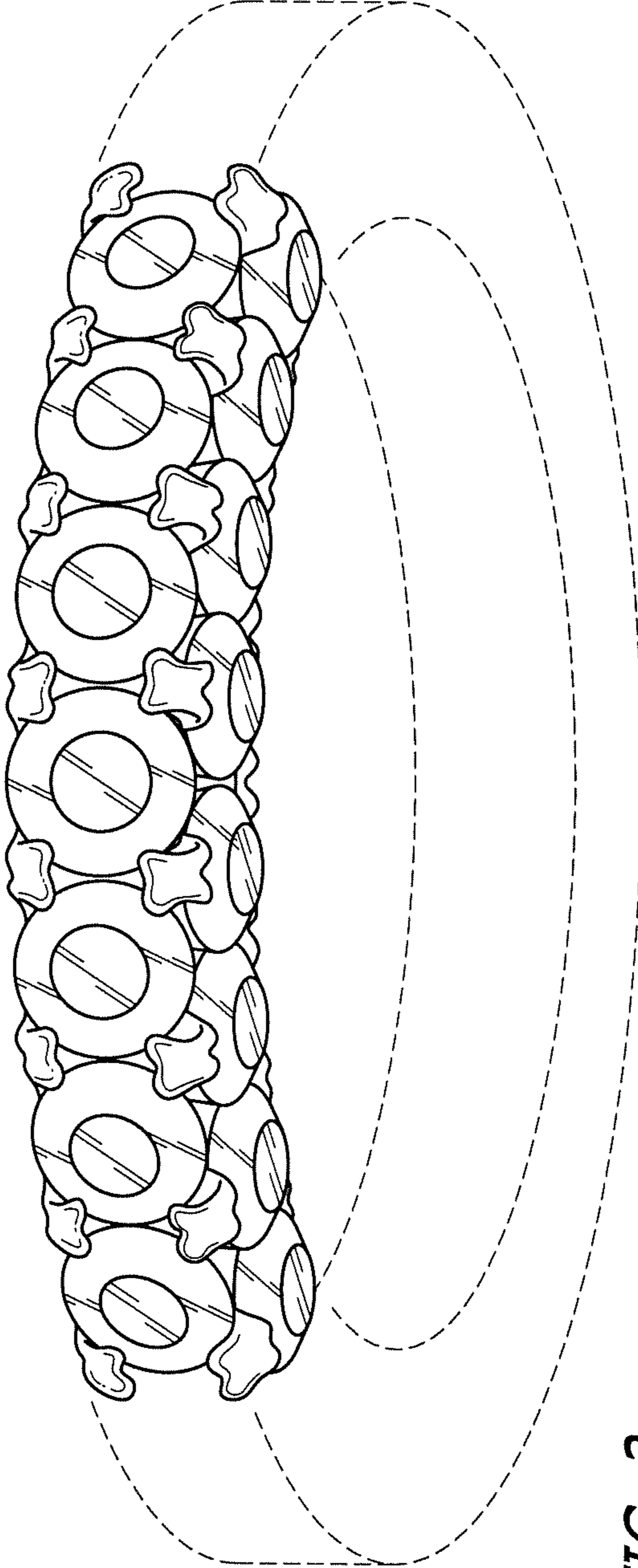


FIG. 2

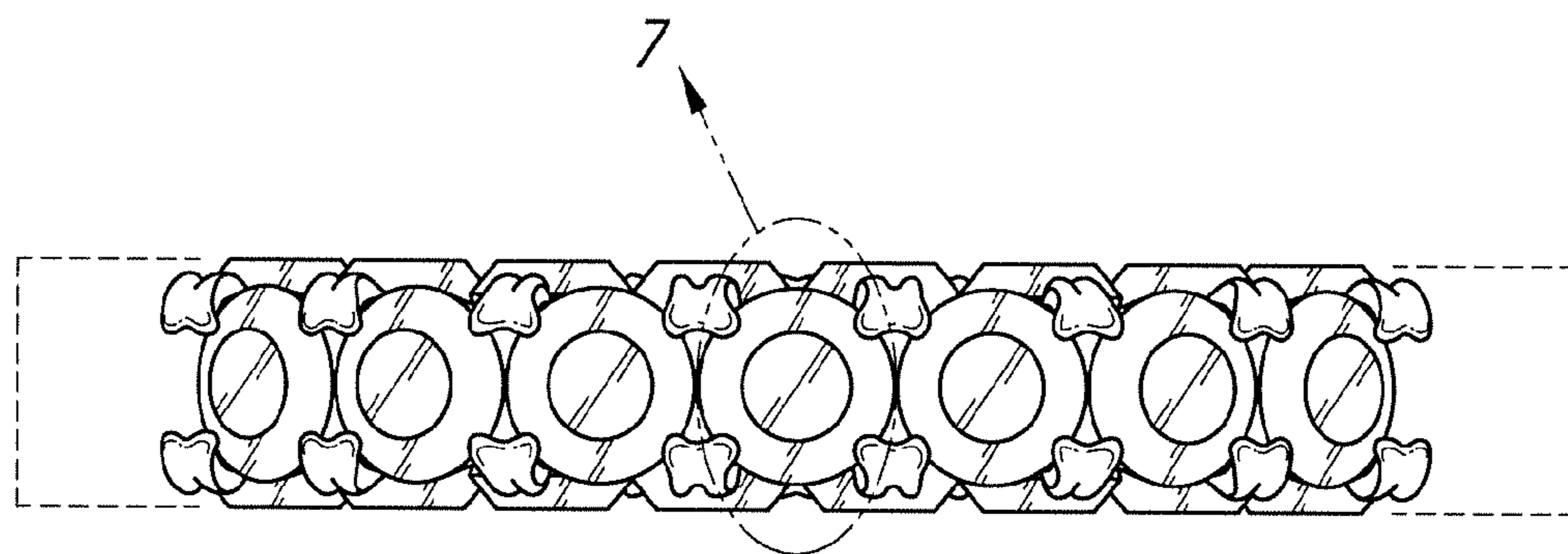


FIG. 3

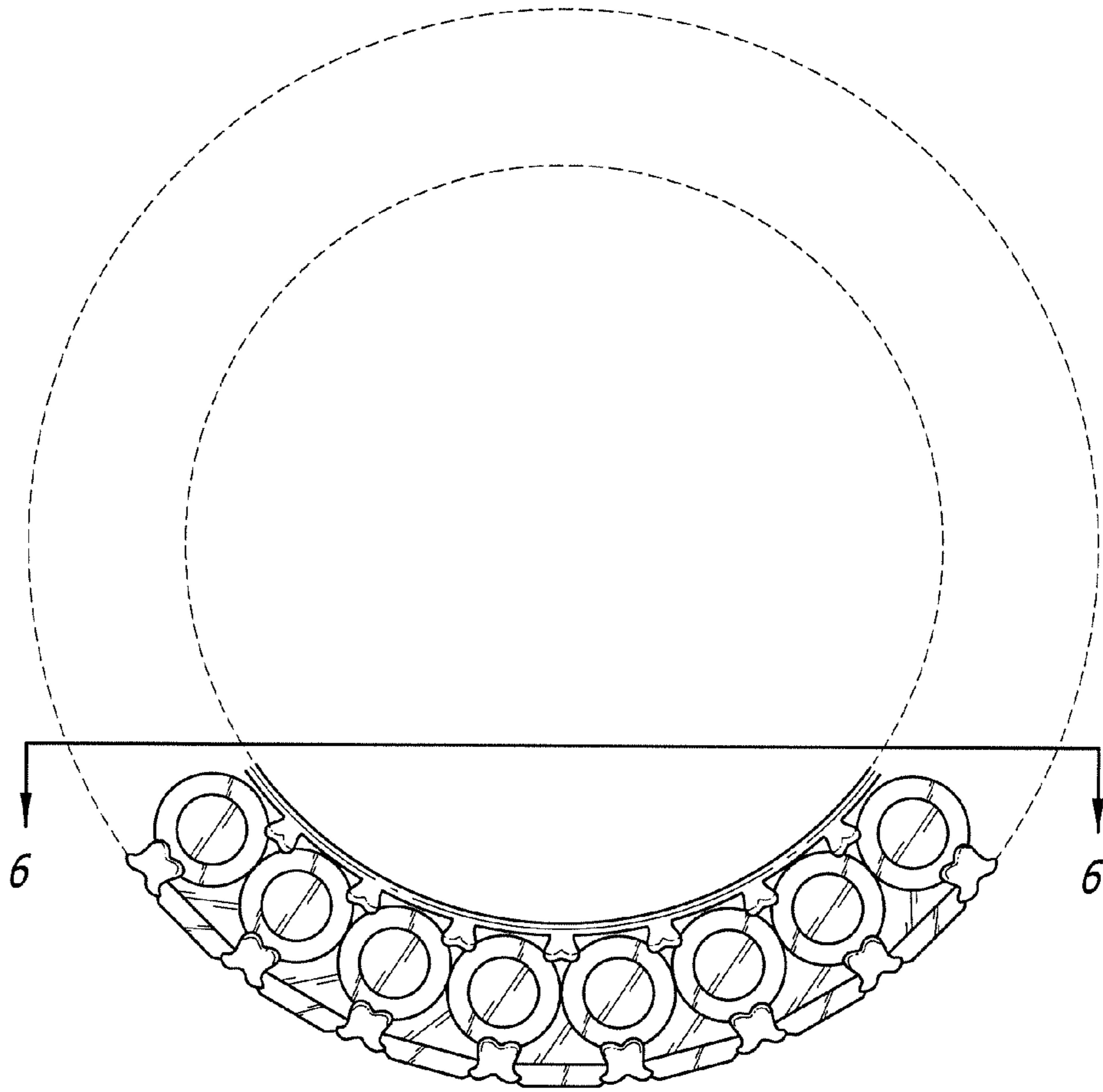
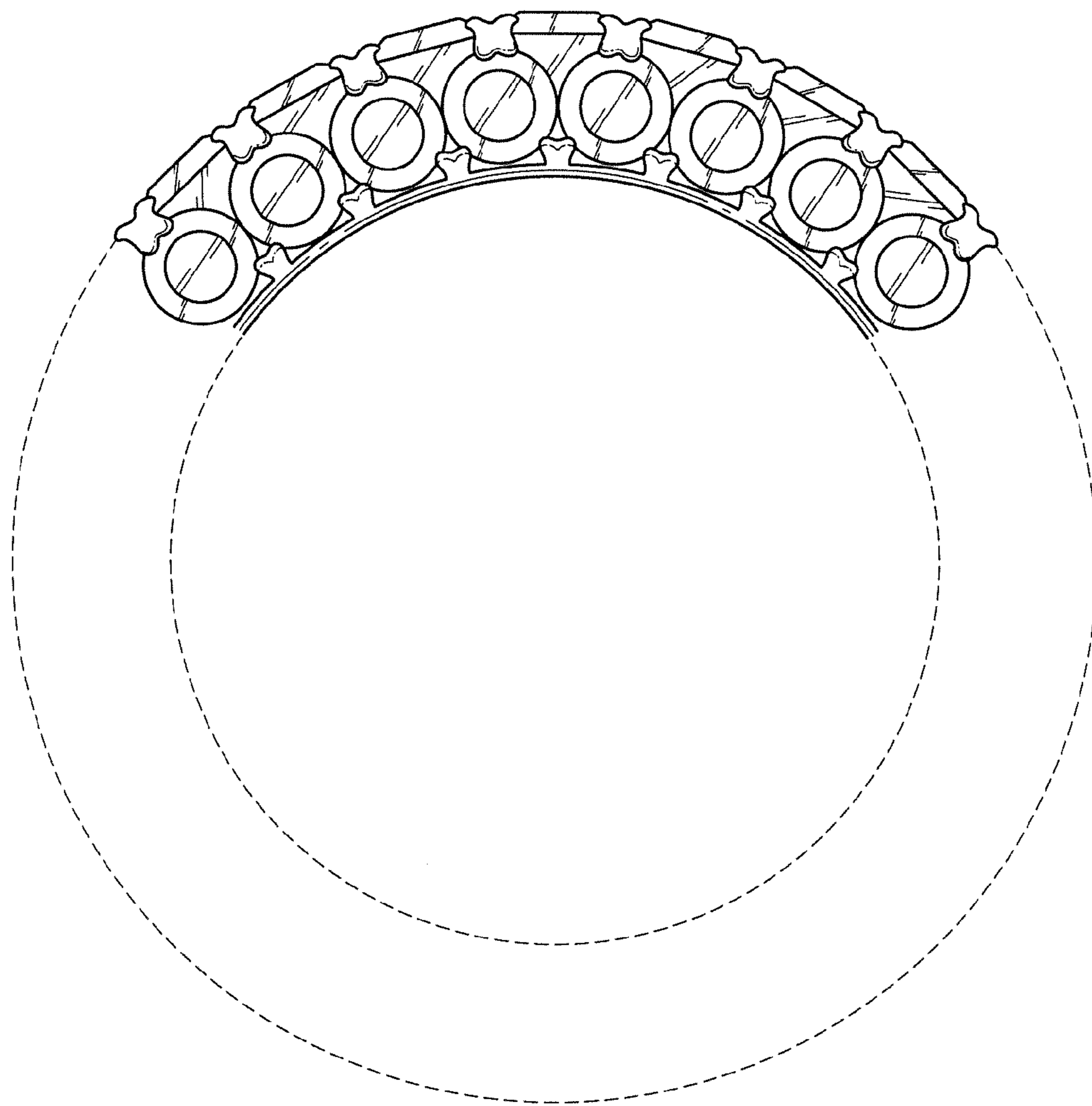
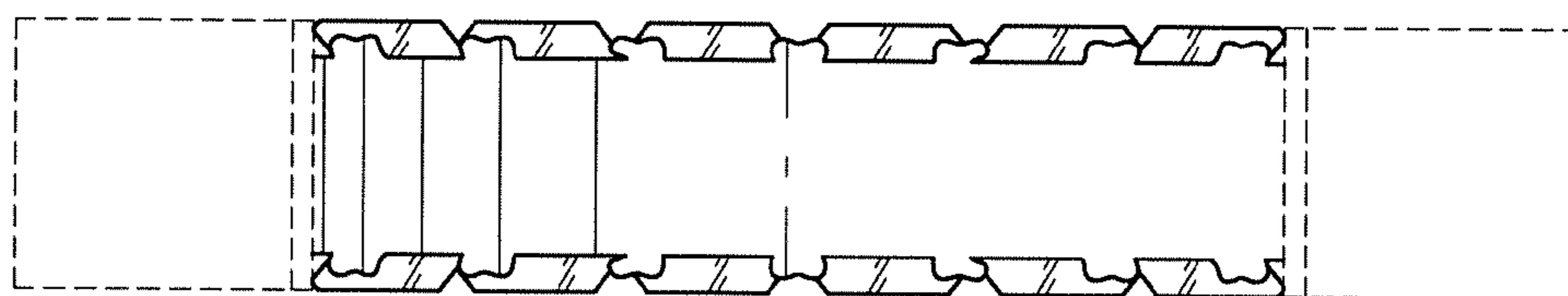


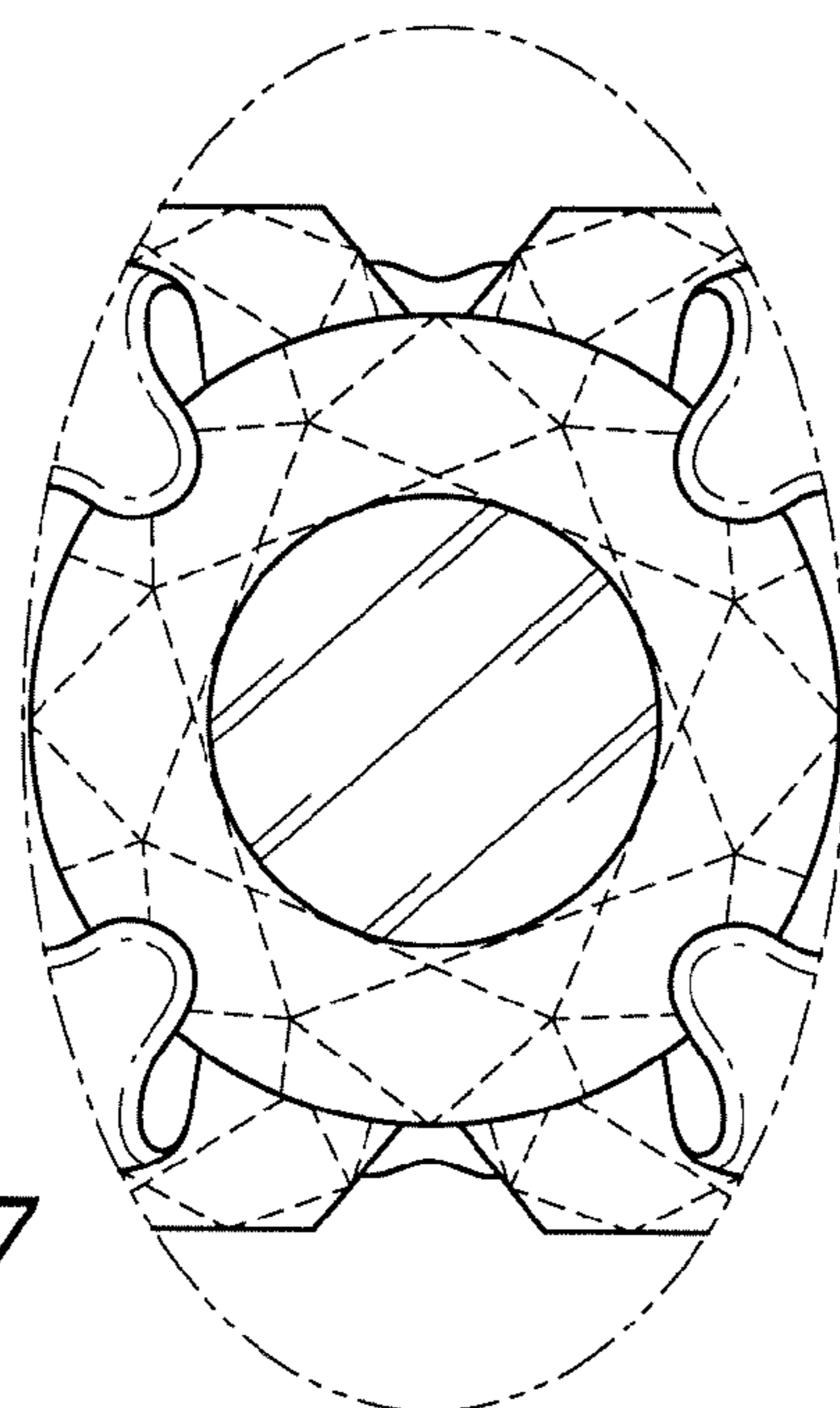
FIG. 4



*FIG. 5*



*FIG. 6*



*FIG. 7*