



US00D755656S

(12) **United States Design Patent**
Betsinger

(10) **Patent No.:** **US D755,656 S**

(45) **Date of Patent:** **** *May 10, 2016**

(54) **HOSE AND SENSOR ASSEMBLY**

(71) Applicant: **Eaton Corporation**, Cleveland, OH (US)

(72) Inventor: **James Dean Betsinger**, Waterville, OH (US)

(73) Assignee: **EATON CORPORATION**, Cleveland, OH (US)

(*) Notice: This patent is subject to a terminal disclaimer.

(**) Term: **14 Years**

(21) Appl. No.: **29/470,356**

(22) Filed: **Oct. 21, 2013**

Related U.S. Application Data

(63) Continuation of application No. 29/419,398, filed on Apr. 27, 2012, now Pat. No. Des. 694,140.

(51) **LOC (10) Cl.** **10-04**

(52) **U.S. Cl.**
USPC **D10/96; D10/101**

(58) **Field of Classification Search**

USPC D10/46, 96, 101; 73/40, 49.5, 49.1, 73/49.2, 40.5 R, 763, 63; 137/312; 138/104, 125, 127, 123; 174/11 R; 285/8, 10; 340/438, 604, 605, 618.3, 340/618, 620; 702/34, 35, 185; 116/208
CPC F16L 11/127; F16L 11/12; F16L 25/01; F16L 2201/30; F16L 57/06; F16L 55/11; G01M 3/18; G01M 3/16; G01M 3/24; G01M 3/182; G01M 3/022; G01M 3/02; G01M 3/047; G01M 3/38; G01M 3/283; G01N 27/24; G01N 3/12

See application file for complete search history.

(56) **References Cited**

U.S. PATENT DOCUMENTS

2014/0076449 A1* 3/2014 Betsinger et al. 138/104
2014/0290344 A1* 10/2014 Bonfiglioli 73/49.3

* cited by examiner

Primary Examiner — Antoine D Davis

(74) *Attorney, Agent, or Firm* — Jarett D Millar

(57) **CLAIM**

The ornamental design for a hose and sensor assembly, as shown and described.

DESCRIPTION

FIG. 1 is a perspective view of a hose and sensor assembly showing my new design.

FIG. 2 is a top plan view of the hose and sensor assembly of FIG. 1.

FIG. 3 is a bottom plan view of the hose and sensor assembly of FIG. 1.

FIG. 4 is a left elevation view of the hose and sensor assembly of FIG. 1.

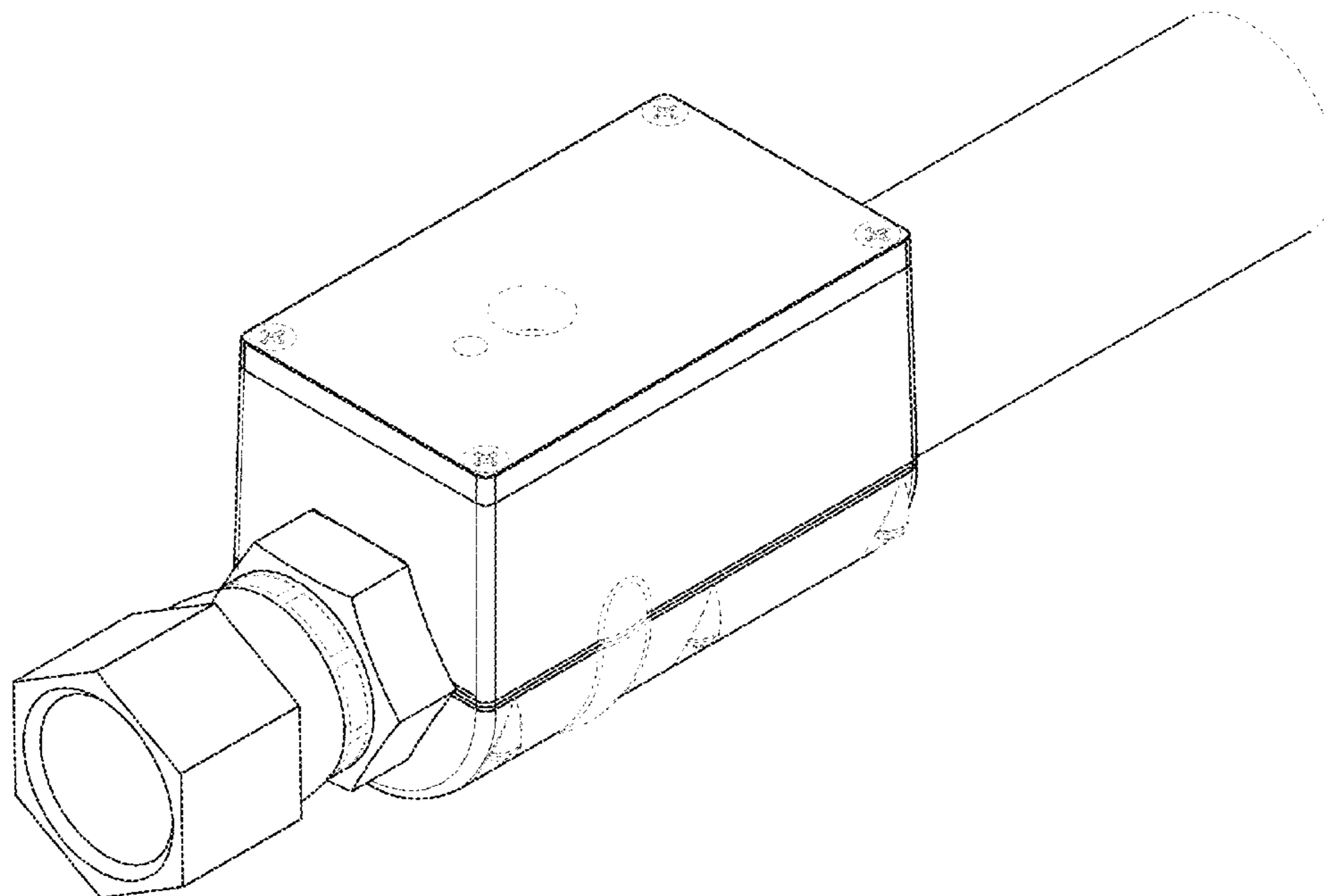
FIG. 5 is a right elevation view of the hose and sensor assembly of FIG. 1.

FIG. 6 is a back elevation view of the hose and sensor assembly of FIG. 1; and,

FIG. 7 is a front elevation view of the hose and sensor assembly of FIG. 1.

The broken lines illustrate portions of the hose and sensor assembly which form no part of the claimed design.

1 Claim, 7 Drawing Sheets



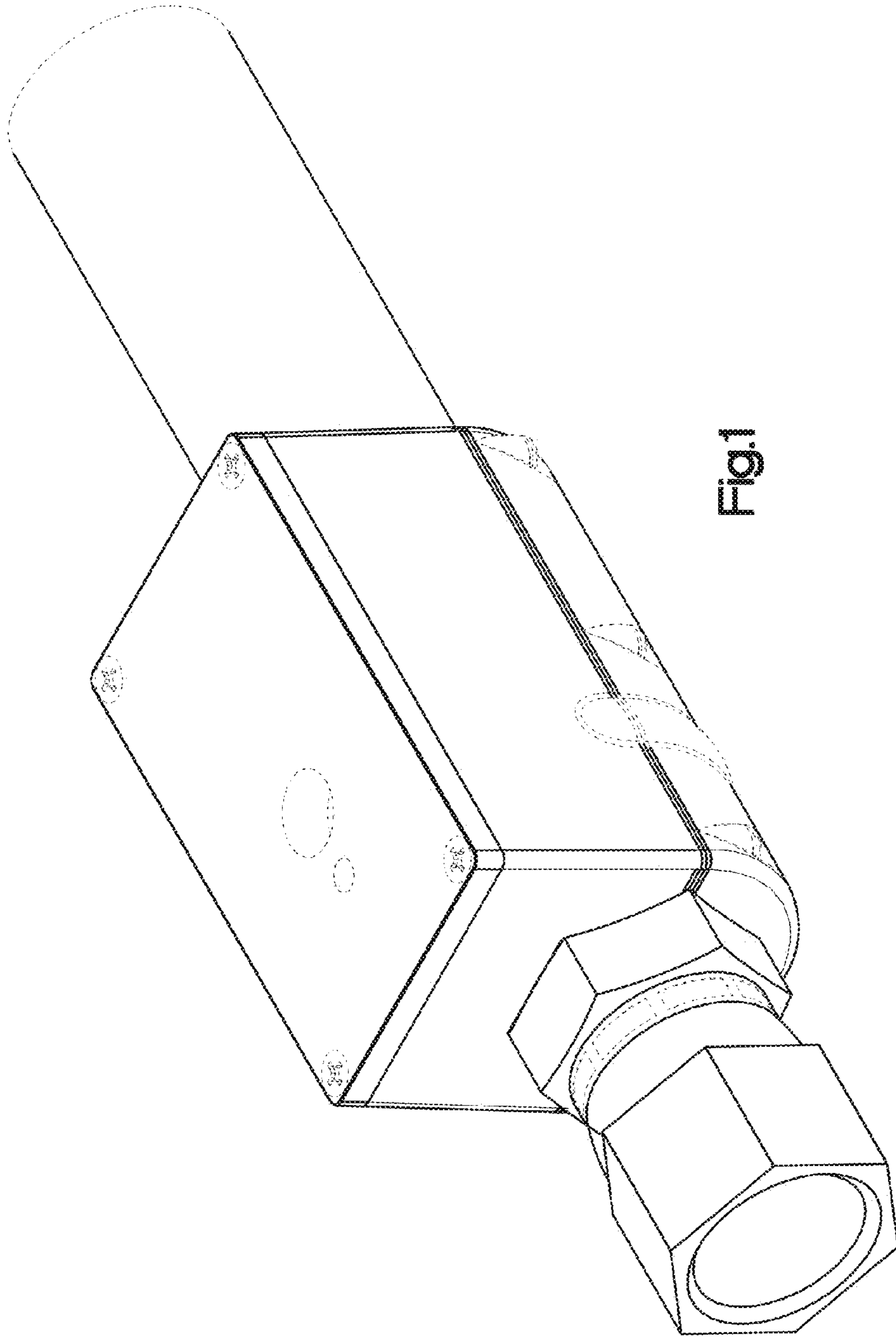


Fig. 1

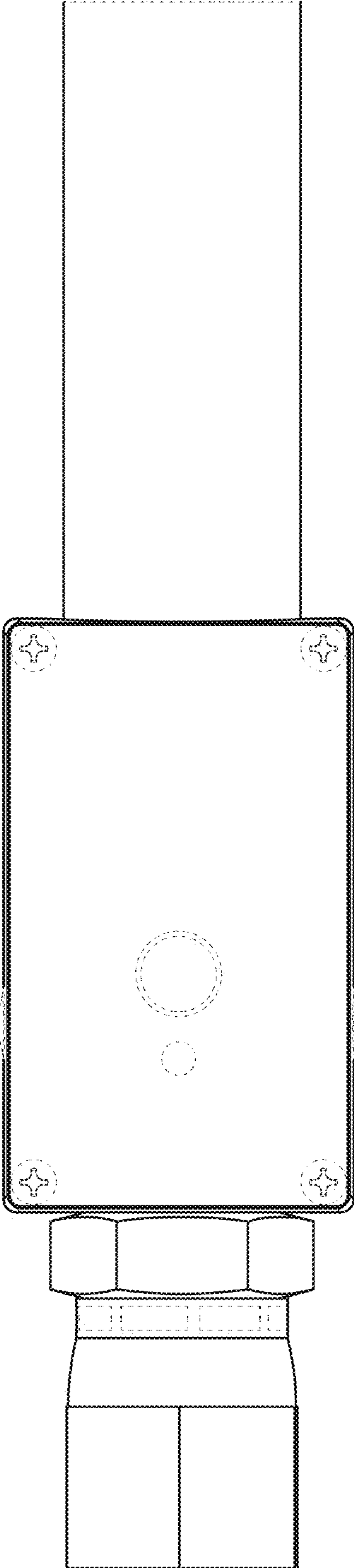


Fig.2

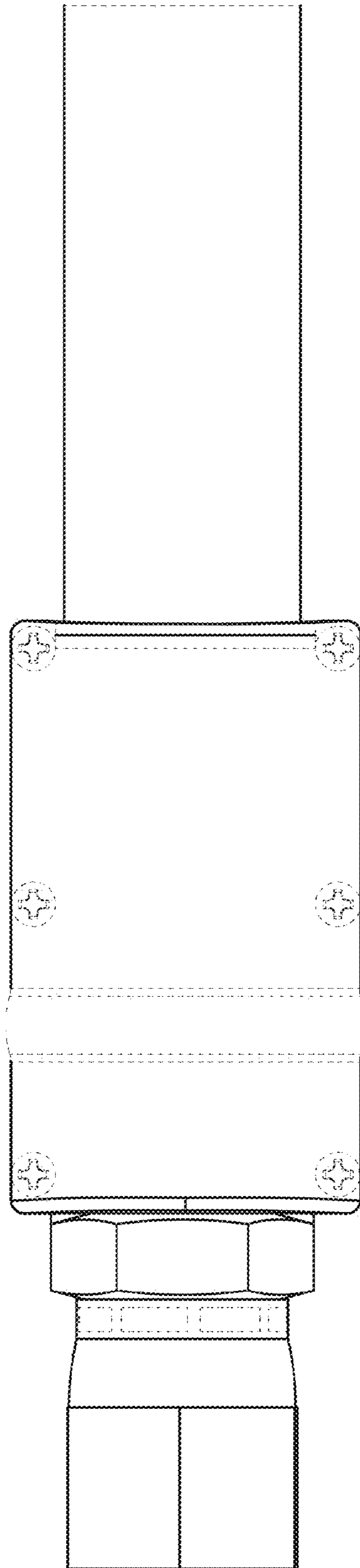


Fig. 3

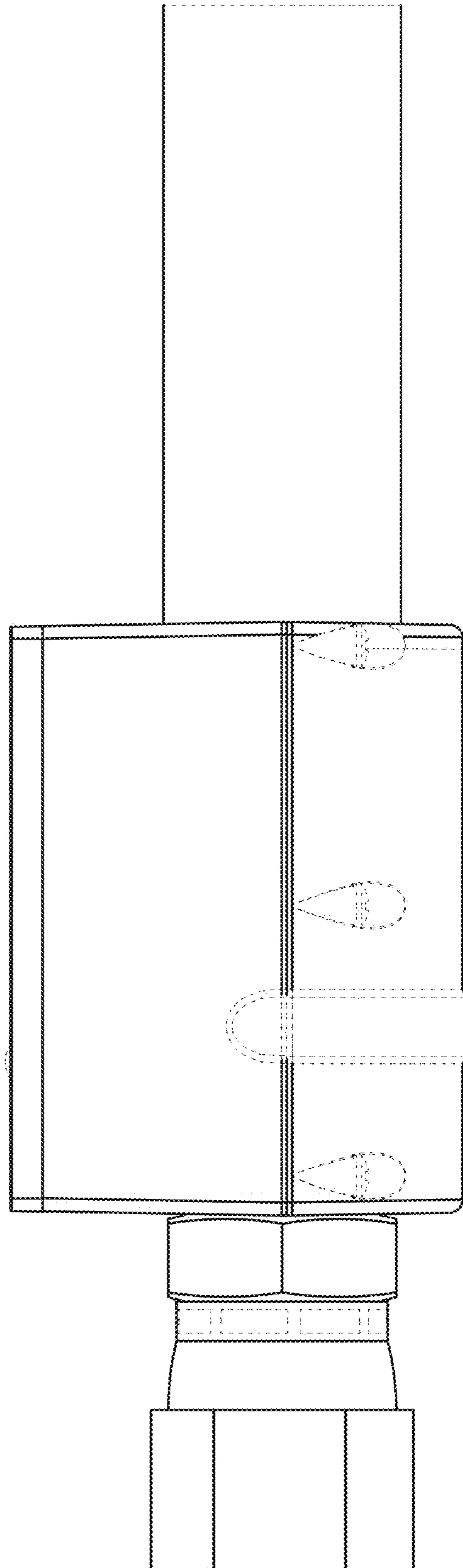


Fig.4

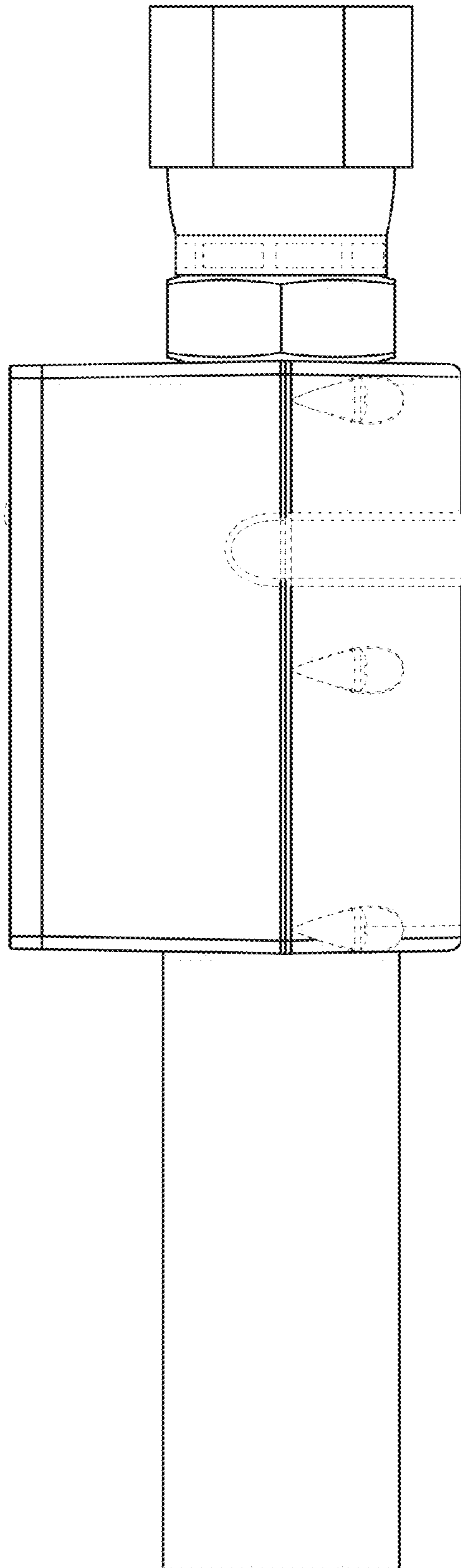


Fig.5

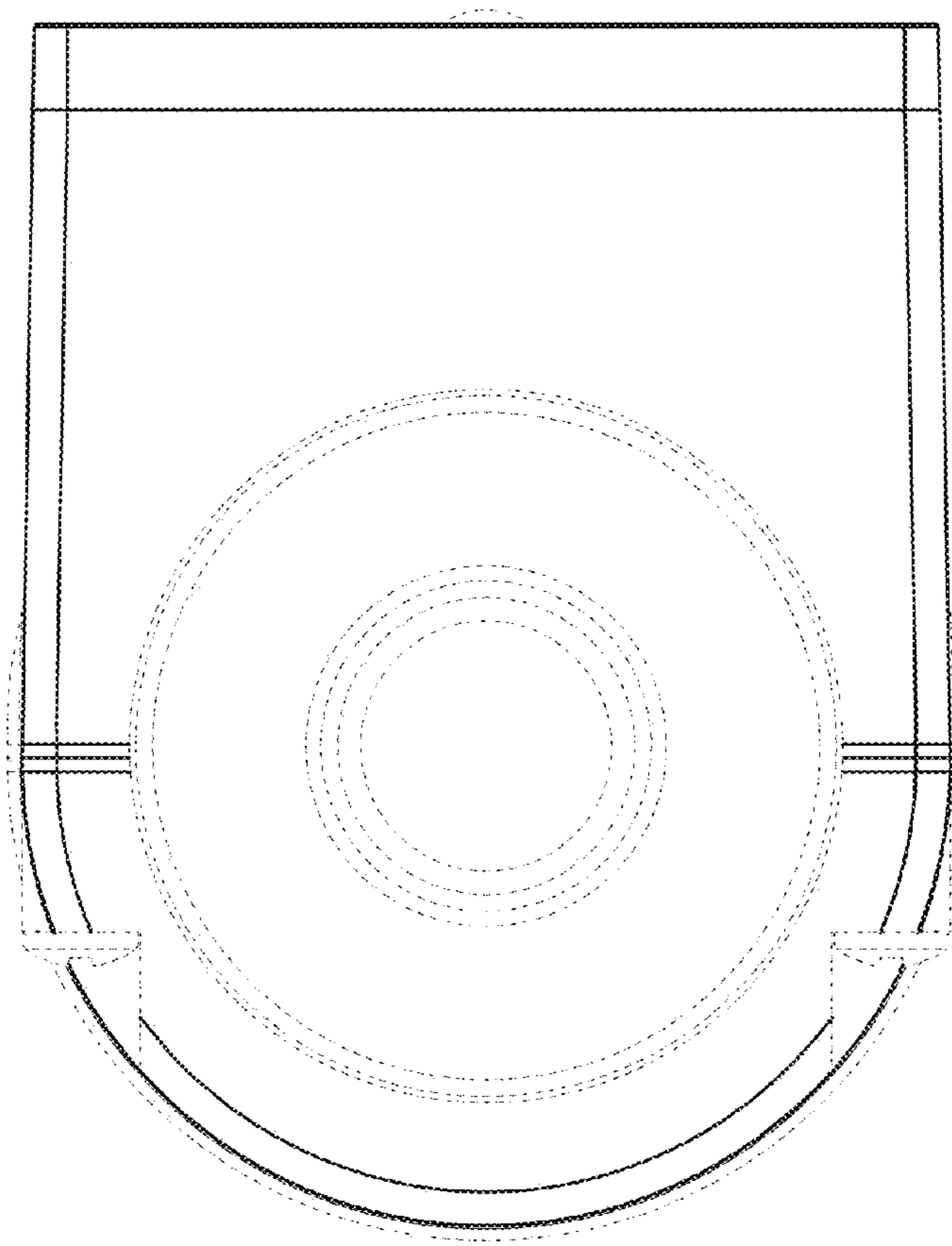


Fig.6

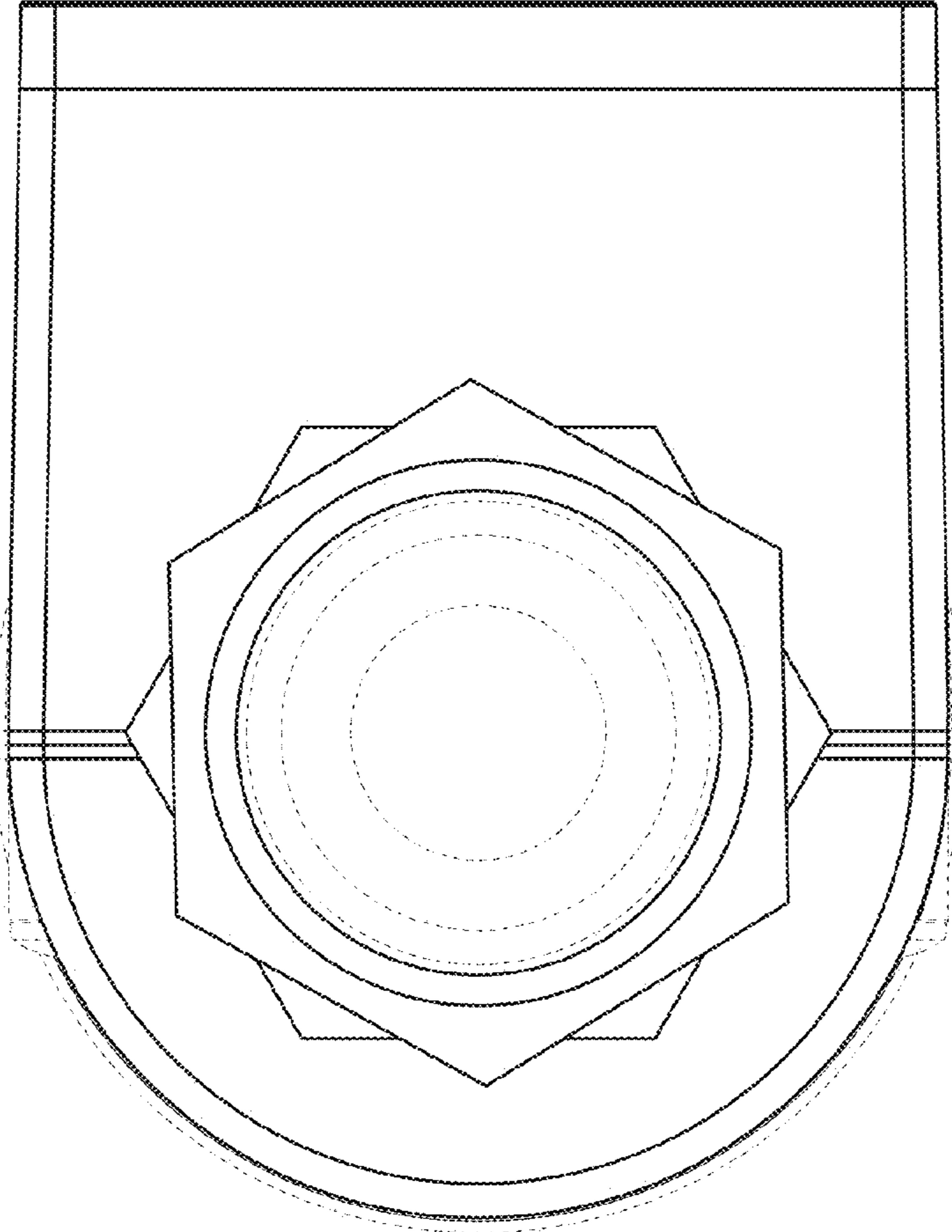


Fig.7