



US00D755652S

(12) **United States Design Patent**
Logue

(10) **Patent No.:** **US D755,652 S**

(45) **Date of Patent:** **** May 10, 2016**

(54) **MEASURING CAP**

(56) **References Cited**

(71) Applicant: **LOGUE AND CO. PTY, AS**
TRUSTEE FOR A.T. & L.M. LOGUE
FAMILY TRUST, Yowie Bay (AU)

(72) Inventor: **Anthony Thomas Logue, Yowie Bay**
(AU)

(73) Assignee: **LOGUE AND CO. PTY LTD., AS**
TRUSTEE FOR A.T. & L.M. LOGUE
FAMILY TRUST, Yowie Bay (AU)

(**) Term: **14 Years**

(21) Appl. No.: **29/485,963**

(22) Filed: **Mar. 25, 2014**

(30) **Foreign Application Priority Data**

Sep. 26, 2013 (AU) 15002/2013
Oct. 23, 2013 (AU) 15450/2013
Dec. 2, 2013 (AU) 16332/2013
Dec. 2, 2013 (AU) 16333/2013

(51) **LOC (10) Cl.** **10-04**

(52) **U.S. Cl.**
USPC **D10/46.2**

(58) **Field of Classification Search**
USPC D10/46.2, 46, 46.3, 52, 60, 66, 103;
D7/589, 300, 665, 387, 397, 302, 303,
D7/316, 510, 312, 317; D9/439, 440, 447,
D9/452-454; D24/197, 224; 220/665;
222/566, 562, 158, 205; 141/381;
73/426-429; 422/908, 910, 912, 527,
422/556, 547; 215/17, 277, 214, 18, 21, 25,
215/45
CPC B65D 47/06; B65D 47/068; B65D 41/16;
B65D 41/58; B65D 39/00
See application file for complete search history.

U.S. PATENT DOCUMENTS

D301,007	S	*	5/1989	Laski	D7/378
5,377,879	A	*	1/1995	Isaacs	A61J 7/0023 222/192
D360,580	S	*	7/1995	Bomareto	D9/447
D366,840	S	*	2/1996	Schagerstrom	D10/46.2
D368,856	S	*	4/1996	Peay	D9/447
D418,417	S	*	1/2000	Hollinger	D9/440
D421,908	S	*	3/2000	Abrams	D9/440
D534,818	S	*	1/2007	Schoen	D10/46
D579,259	S	*	10/2008	Venier	D7/316
D647,210	S	*	10/2011	Wilkinson	D24/224
D654,384	S	*	2/2012	McDonald	D10/66
D661,939	S	*	6/2012	Kern	D7/316
D670,578	S	*	11/2012	Perry	D10/46.2
D678,791	S	*	3/2013	Ford	D10/103
D683,184	S	*	5/2013	Lin	D7/316
D690,596	S	*	10/2013	Logue	D9/447
D695,416	S	*	12/2013	Saliaris	D24/224
D707,502	S	*	6/2014	Alavian	D7/665
D720,241	S	*	12/2014	Logue	D10/46.2
D720,631	S	*	1/2015	Logue	D10/46.2
D728,297	S	*	5/2015	Melzer	D7/300.1
D729,592	S	*	5/2015	Alavian	D7/665
D735,514	S	*	8/2015	Cheung	D7/300

* cited by examiner

Primary Examiner — Eric Goodman

Assistant Examiner — Clese Moore, Jr.

(74) *Attorney, Agent, or Firm* — Sughrue Mion, PLLC

(57) **CLAIM**

The ornamental design for a measuring cap, as shown and described.

DESCRIPTION

FIG. 1 is a front perspective view of a first exemplary embodiment of my design;
FIG. 2 is a front view thereof;
FIG. 3 is rear view thereof;
FIG. 4 is right side view thereof;
FIG. 5 is left side view thereof;
FIG. 6 is top view thereof;
FIG. 7 is bottom view thereof;

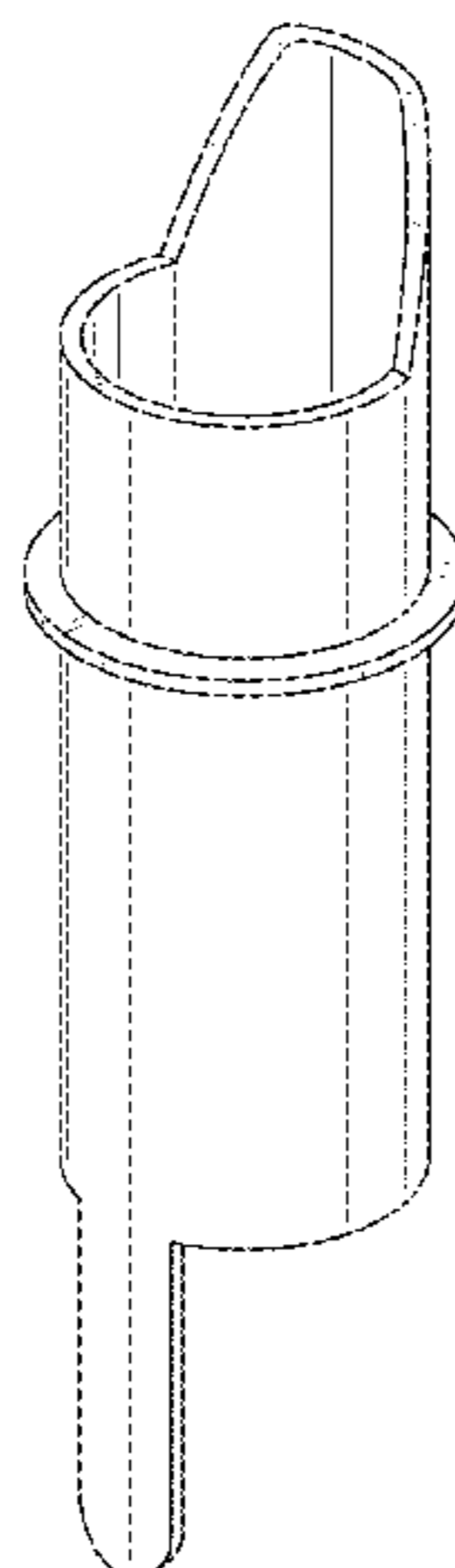


FIG. 8 is a front perspective view of a second exemplary embodiment of my design;
FIG. 9 is a front view thereof;
FIG. 10 is rear view thereof;
FIG. 11 is right side view thereof;
FIG. 12 is left side view thereof;
FIG. 13 is top view thereof; and,
FIG. 14 is bottom view thereof;
FIG. 15 is a front perspective view of a third exemplary embodiment of my design;
FIG. 16 is a front view thereof;
FIG. 17 is rear view thereof;
FIG. 18 is right side view thereof;
FIG. 19 is left side view thereof;

FIG. 20 is top view thereof;
FIG. 21 is bottom view thereof;
FIG. 22 is a front perspective view of a fourth exemplary embodiment of my design;
FIG. 23 is a front view thereof;
FIG. 24 is rear view thereof;
FIG. 25 is right side view thereof;
FIG. 26 is left side view thereof;
FIG. 27 is top view thereof; and,
FIG. 28 is bottom view thereof.
The broken lines shown in the drawings represent portions of the measuring cap which form no part of the claimed design.

1 Claim, 16 Drawing Sheets

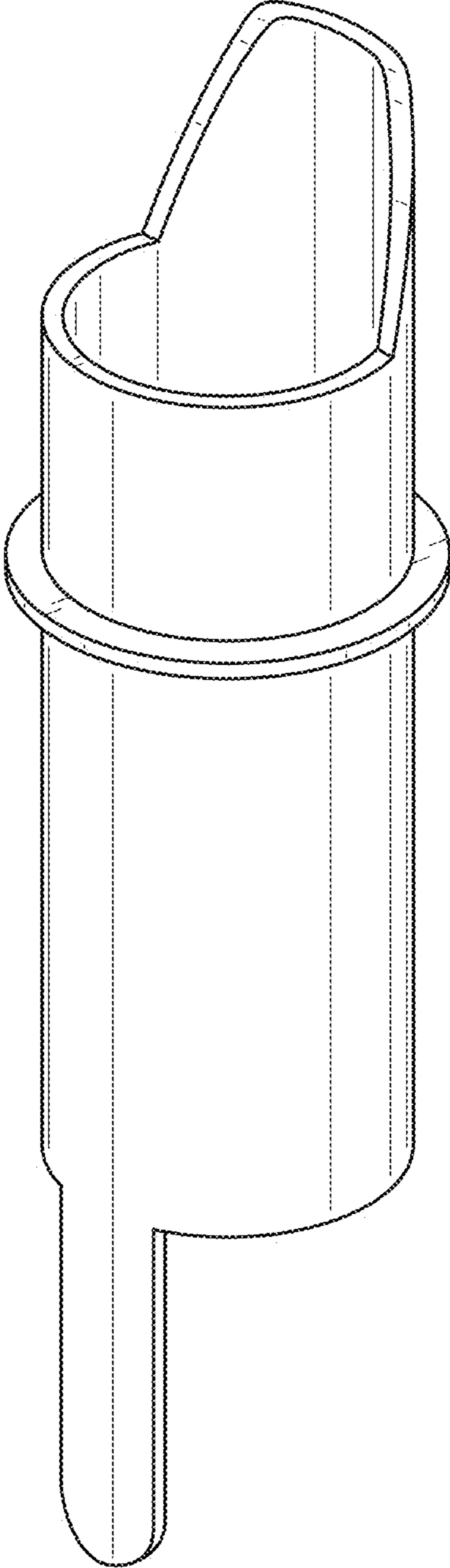


FIG. 1

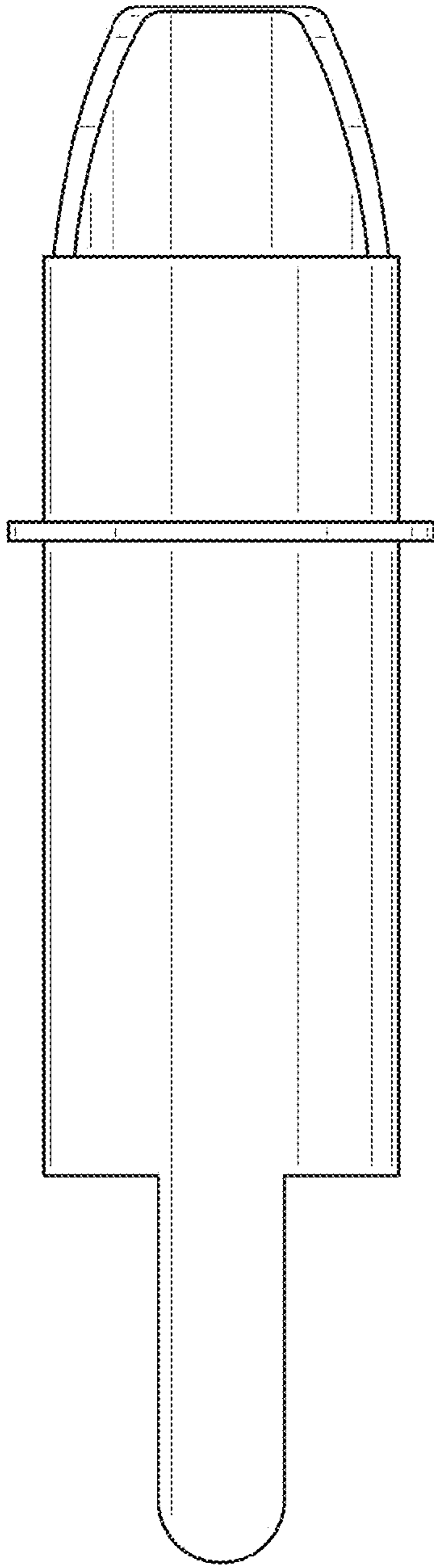


FIG. 2

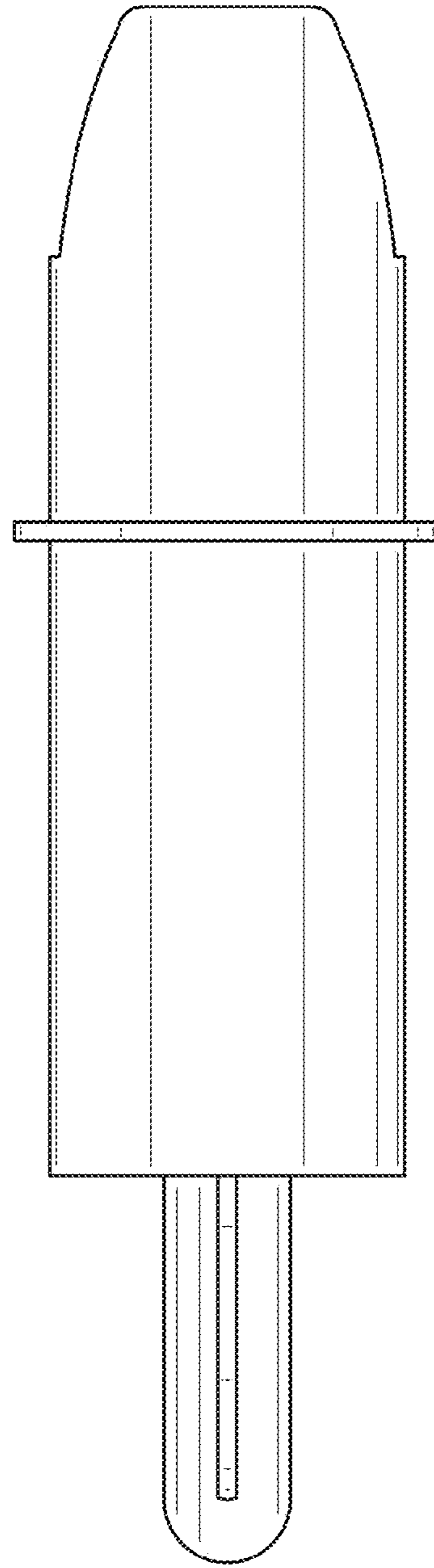


FIG. 3

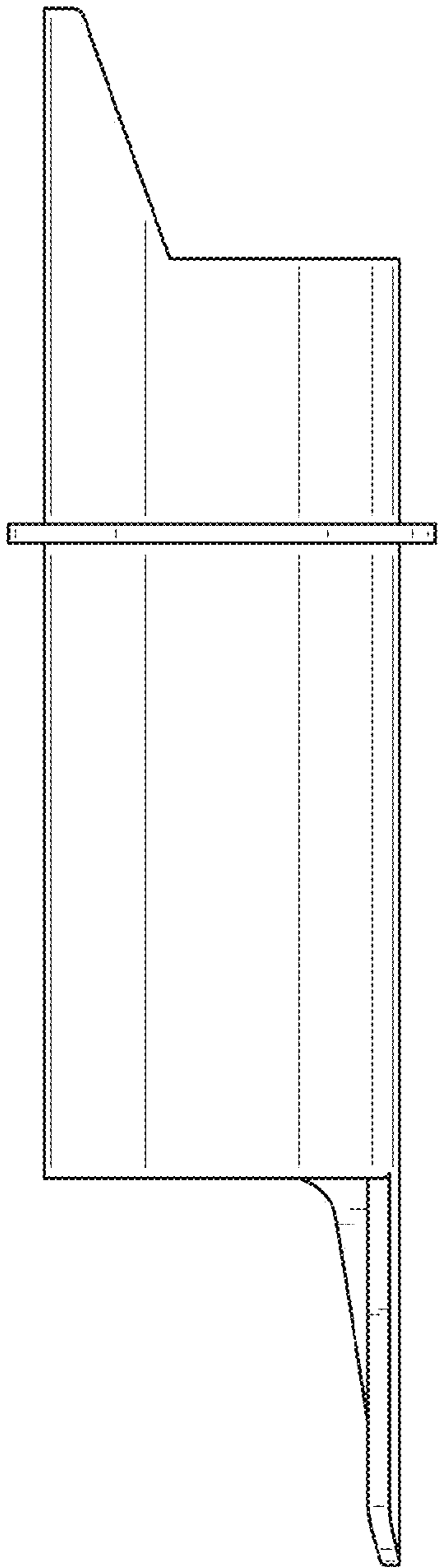


FIG. 4

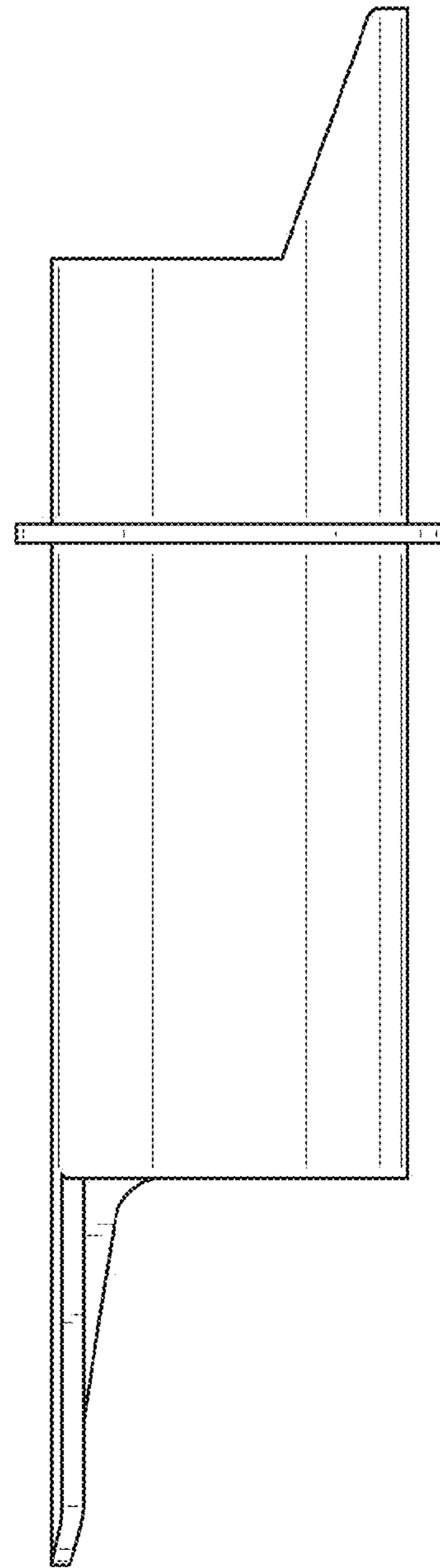


FIG. 5

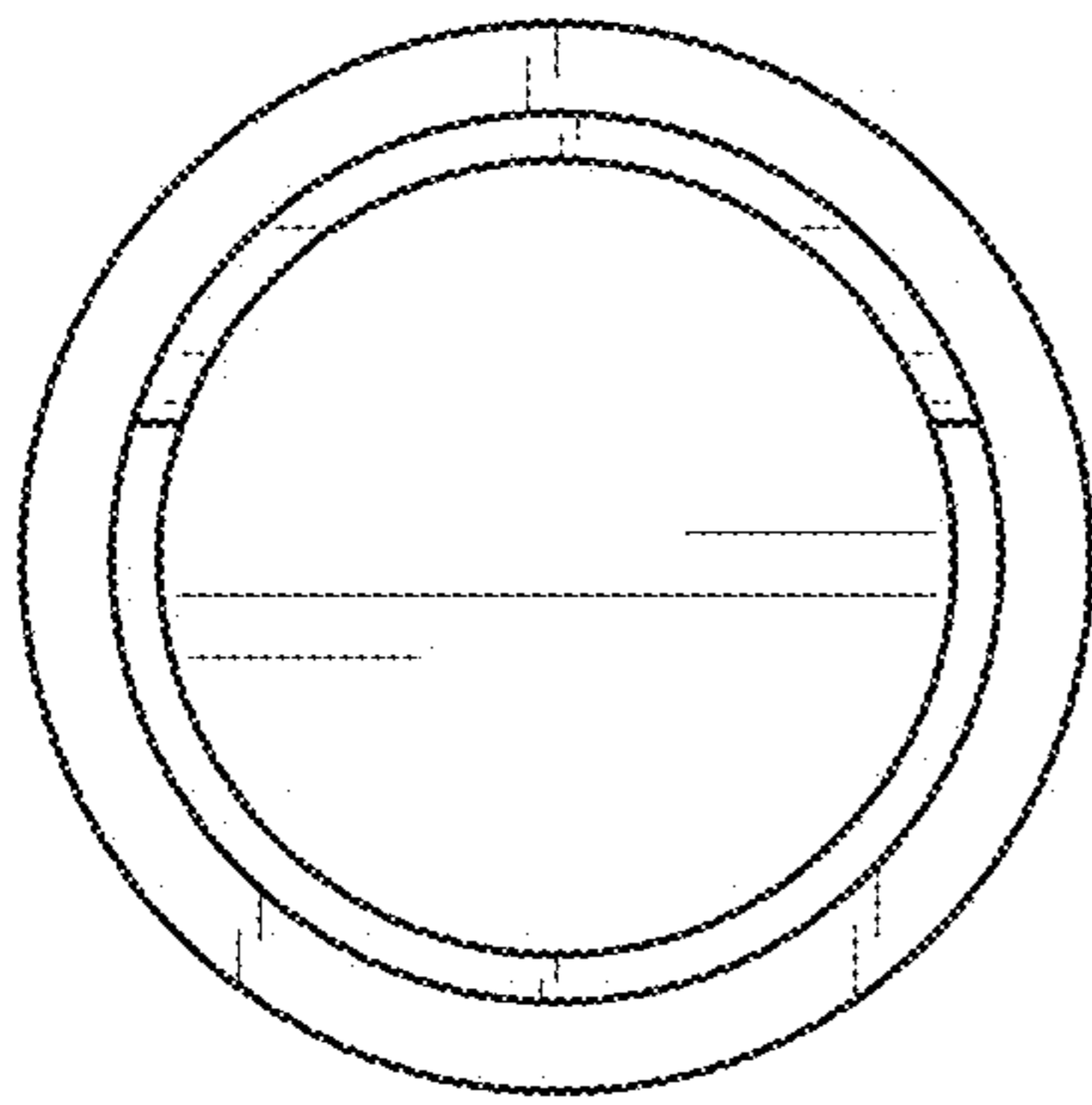


FIG. 6

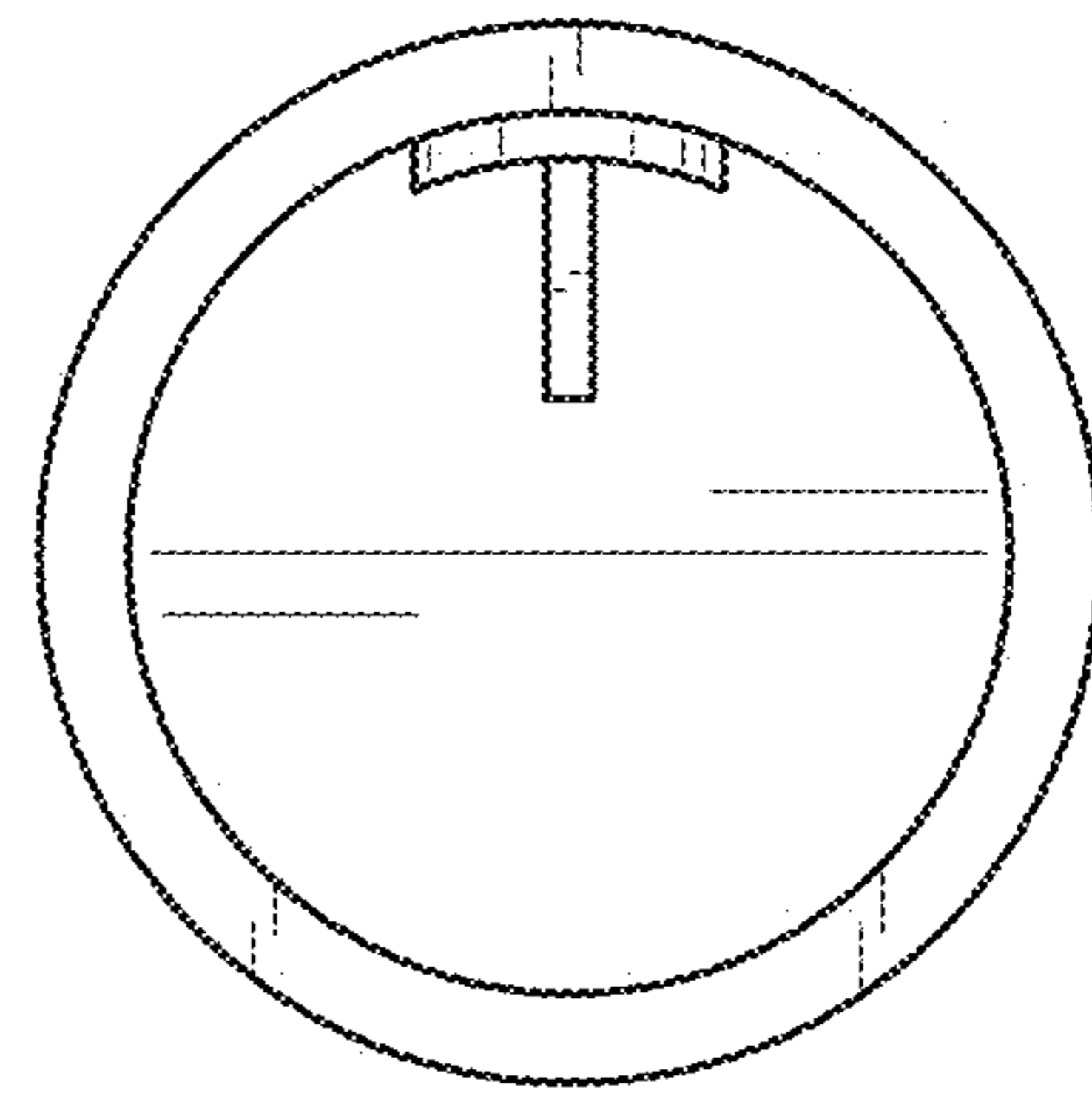


FIG. 7

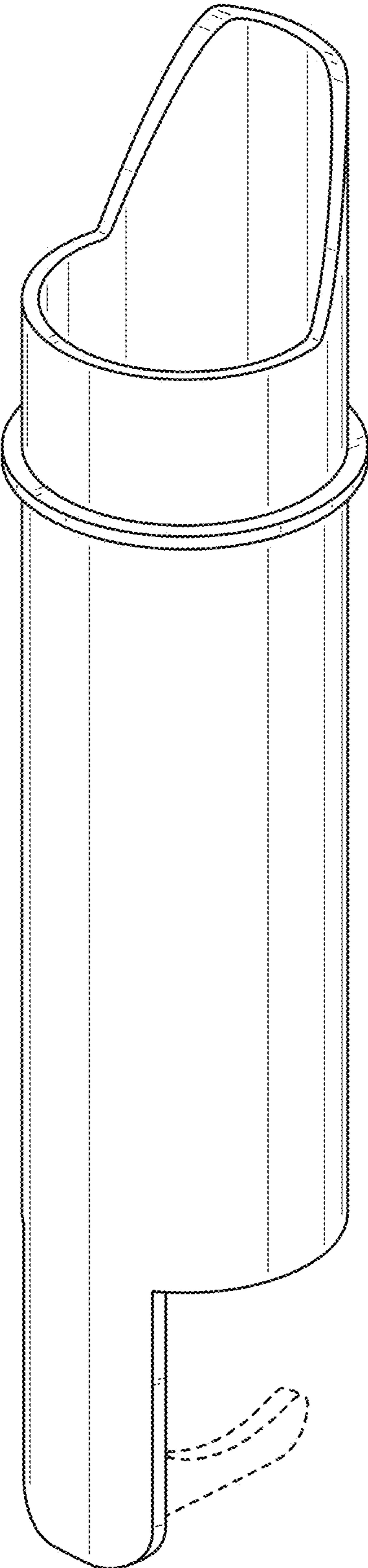


FIG. 8

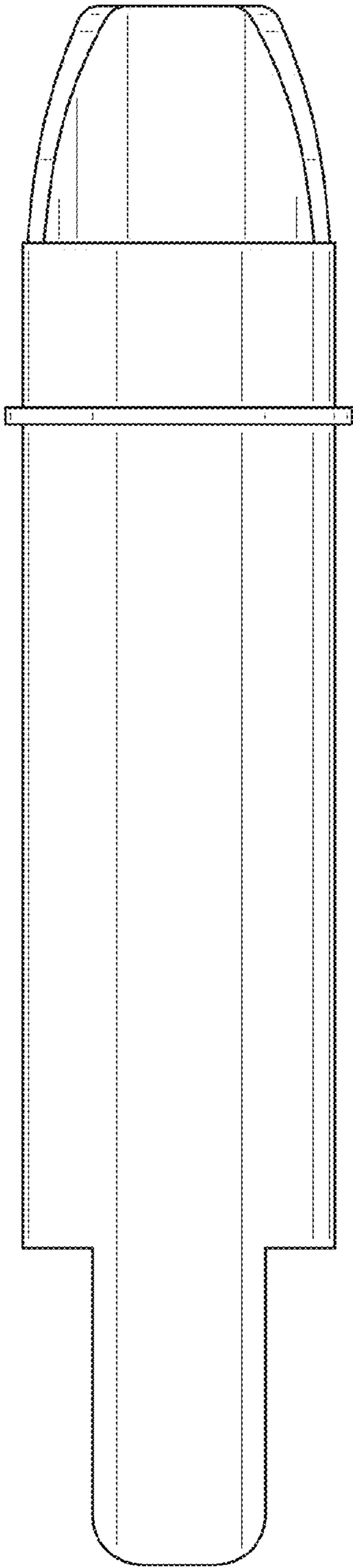


FIG. 9

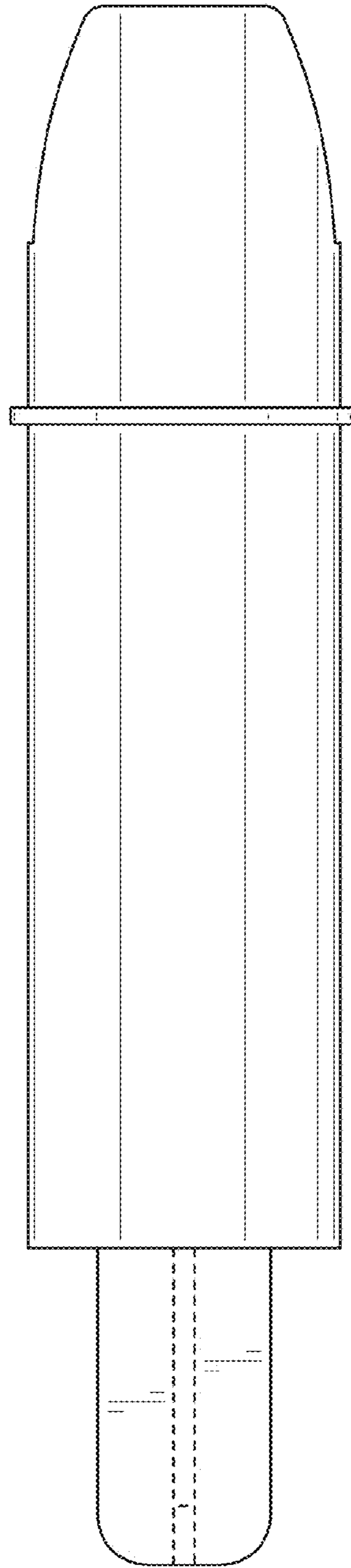


FIG. 10

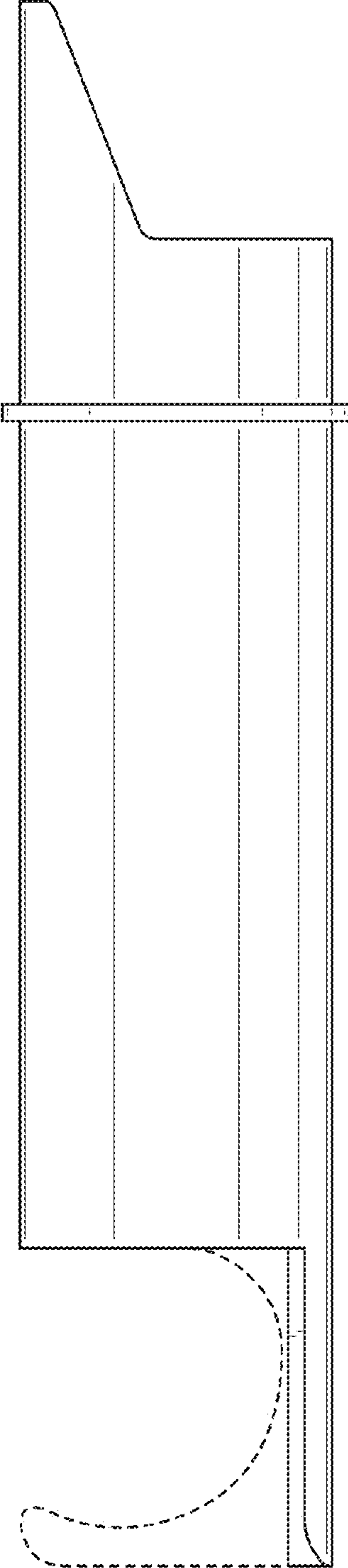


FIG. 11

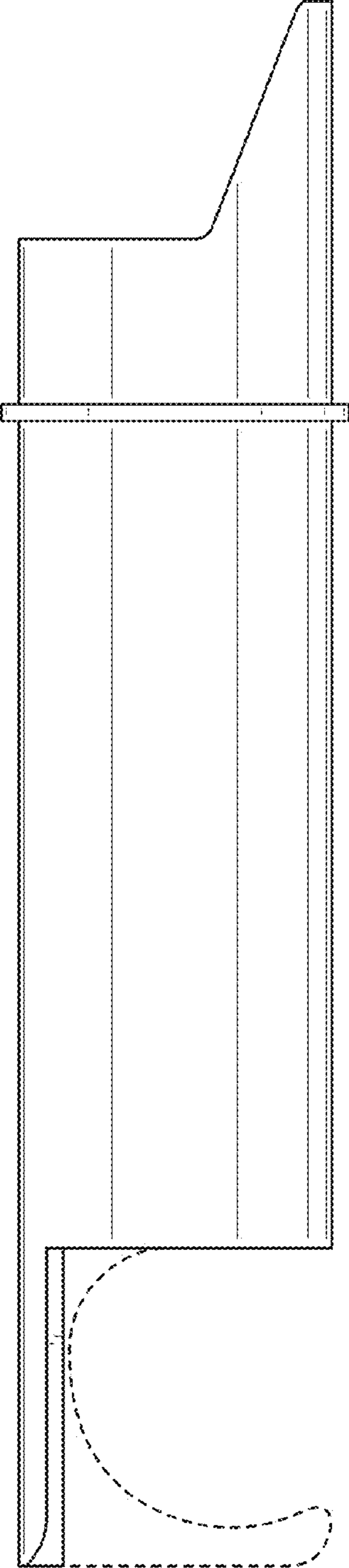


FIG. 12

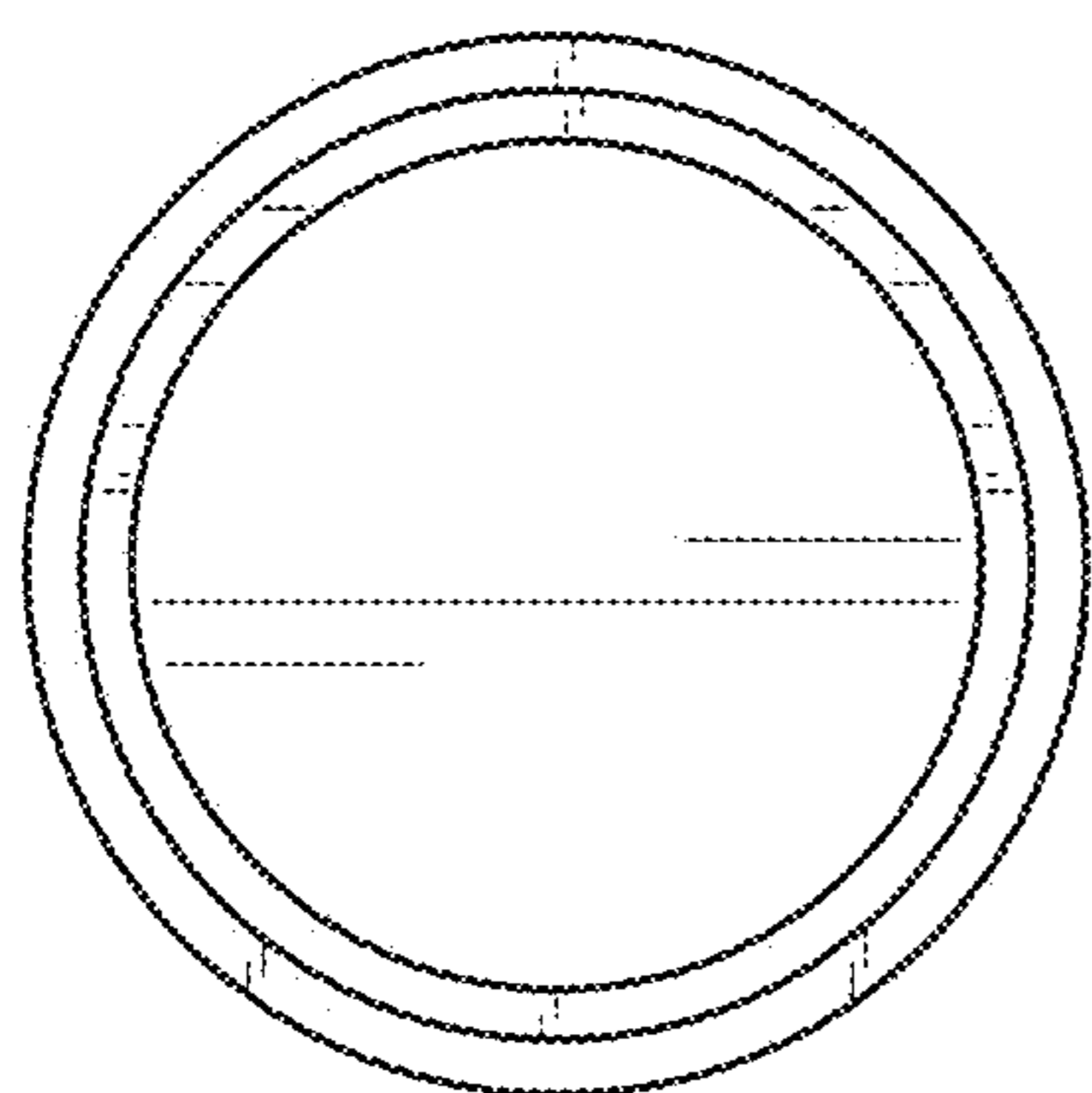


FIG. 13

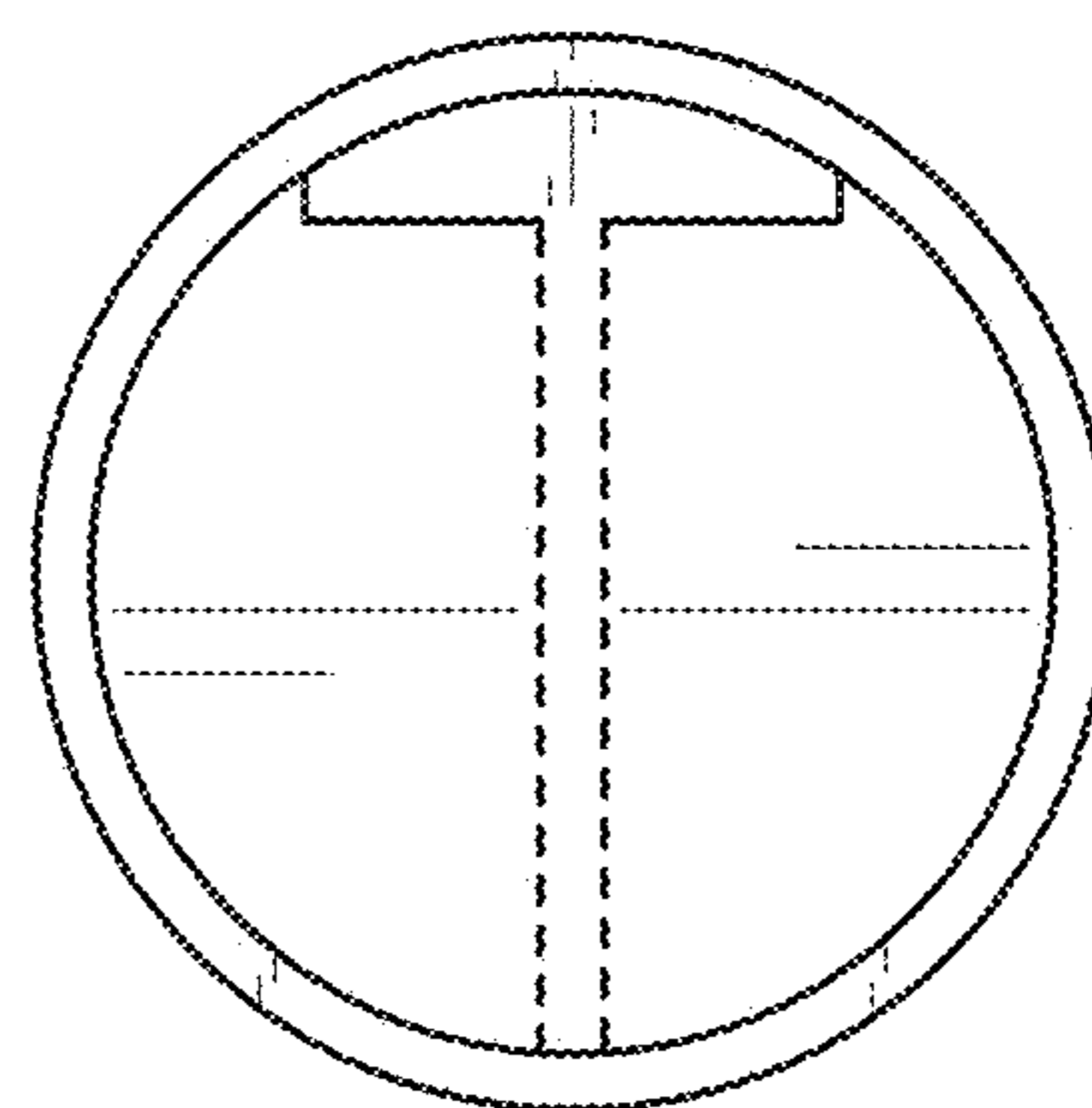


FIG. 14

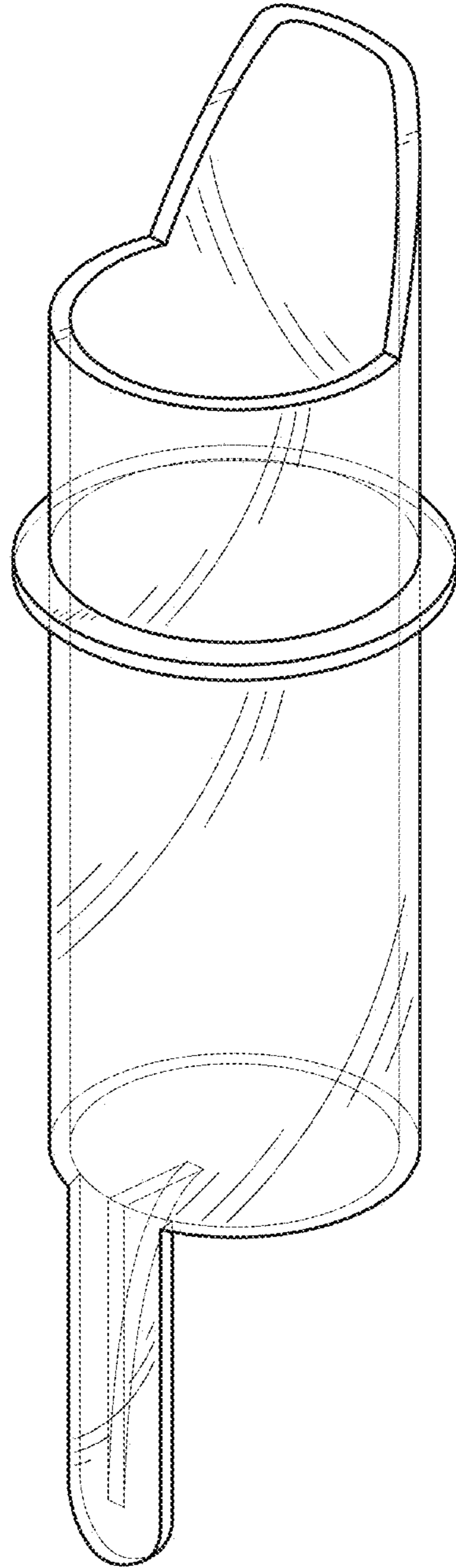


FIG. 15

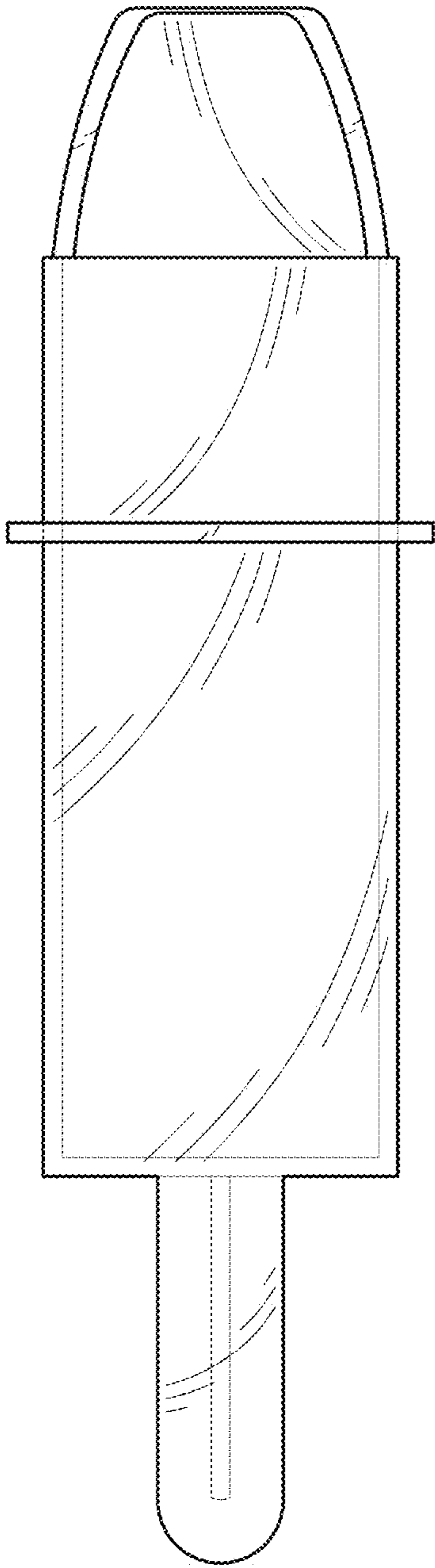


FIG. 16

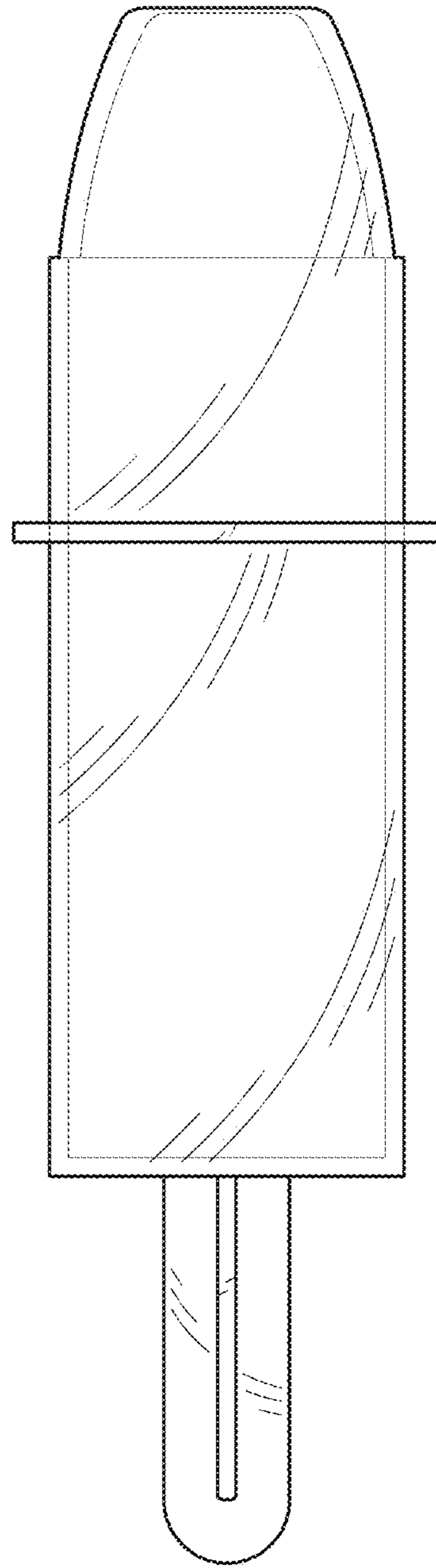


FIG. 17

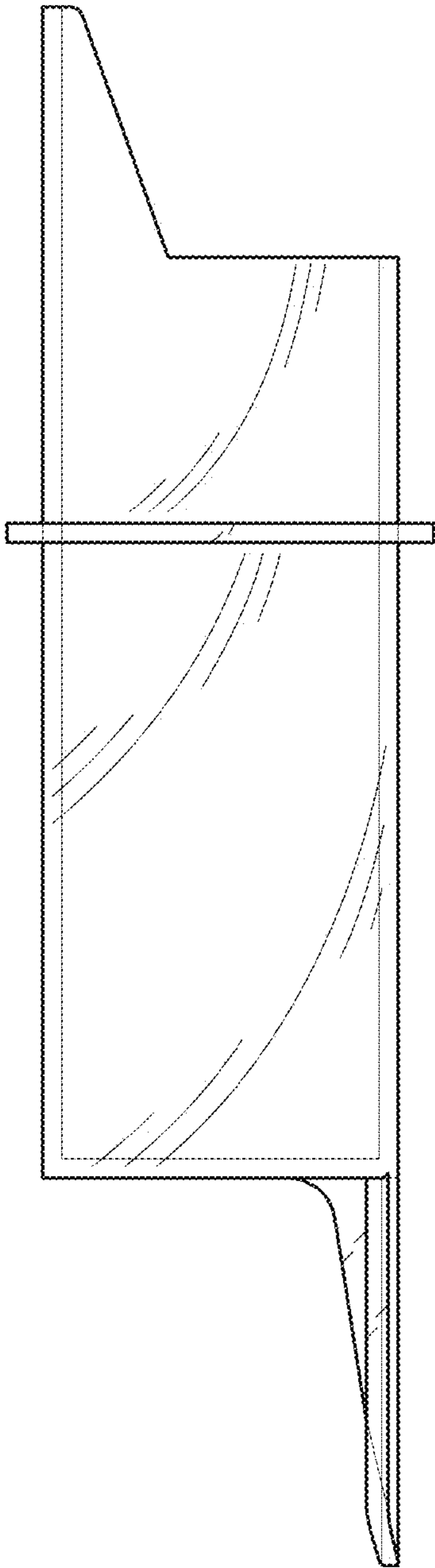


FIG. 18

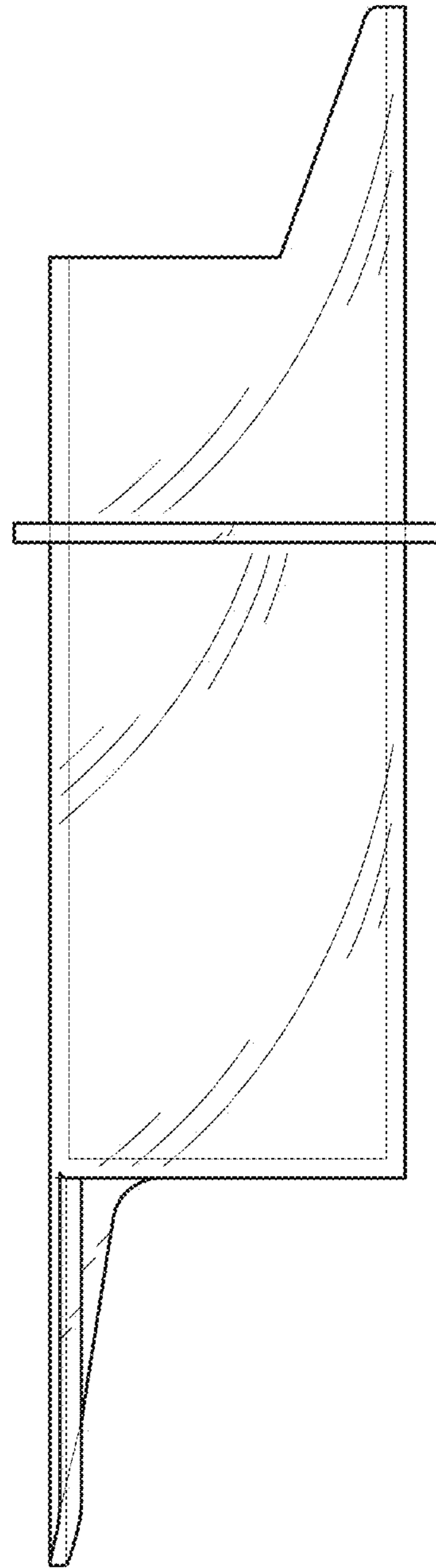


FIG. 19

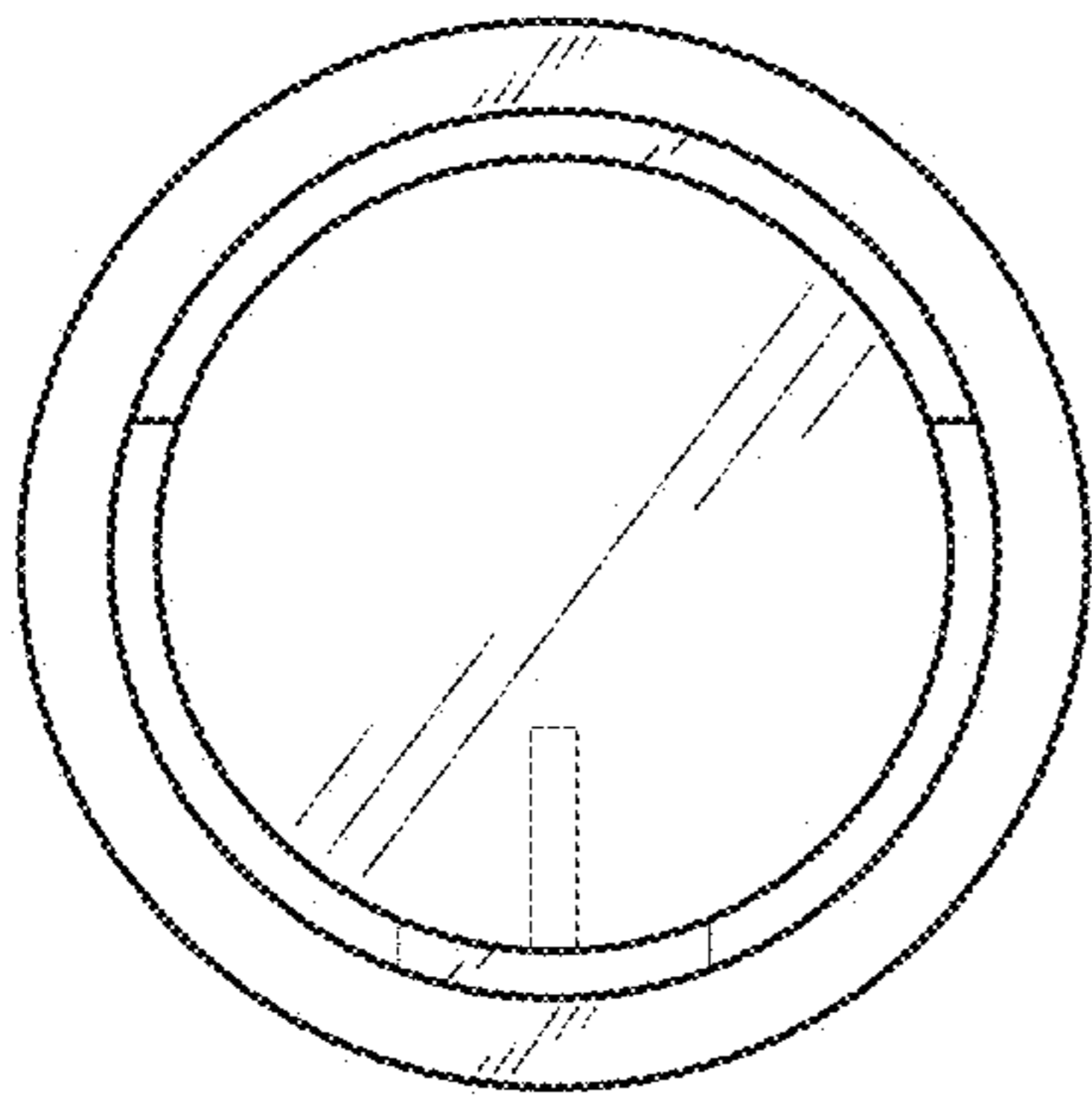


FIG. 20

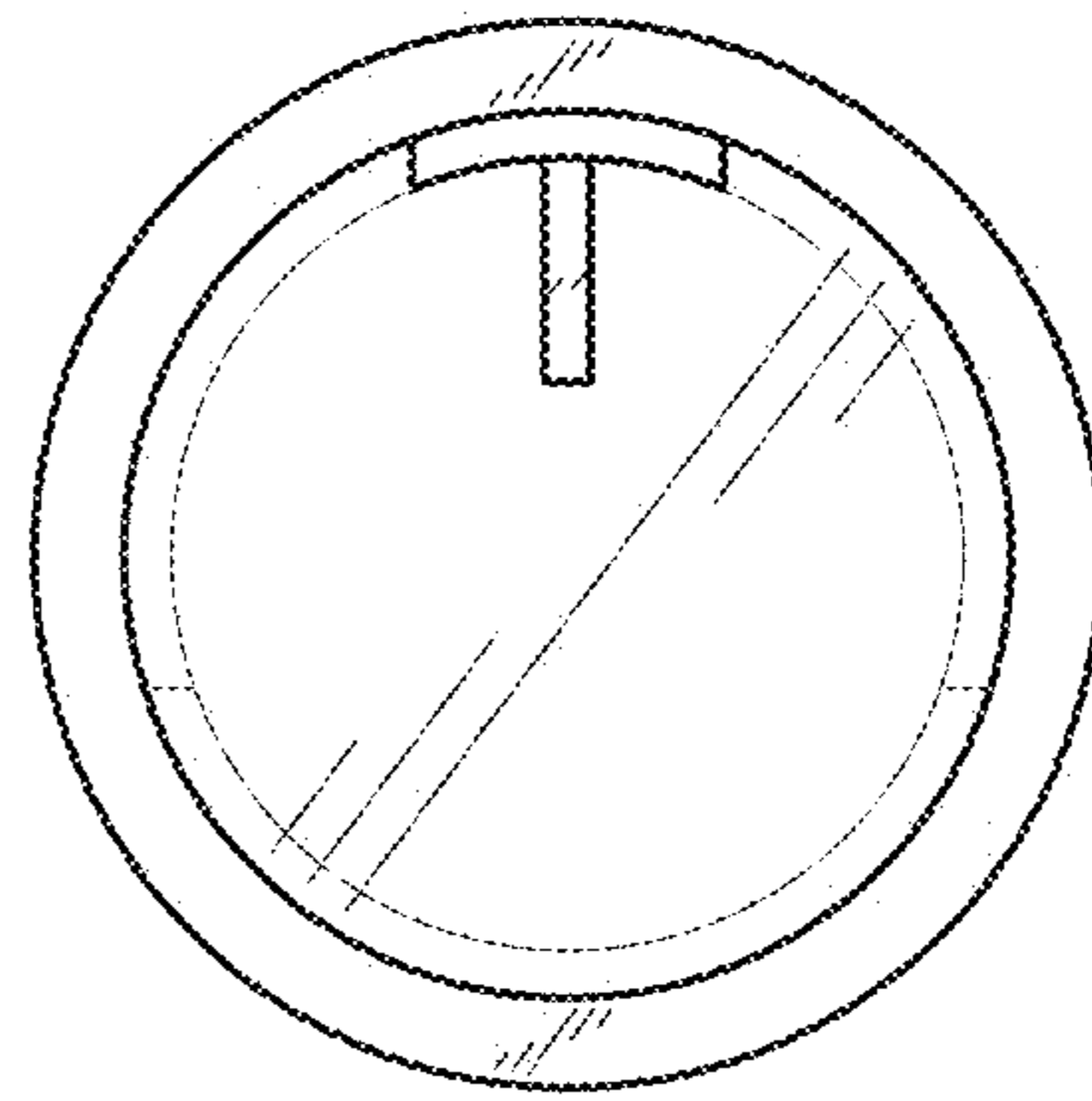


FIG. 21

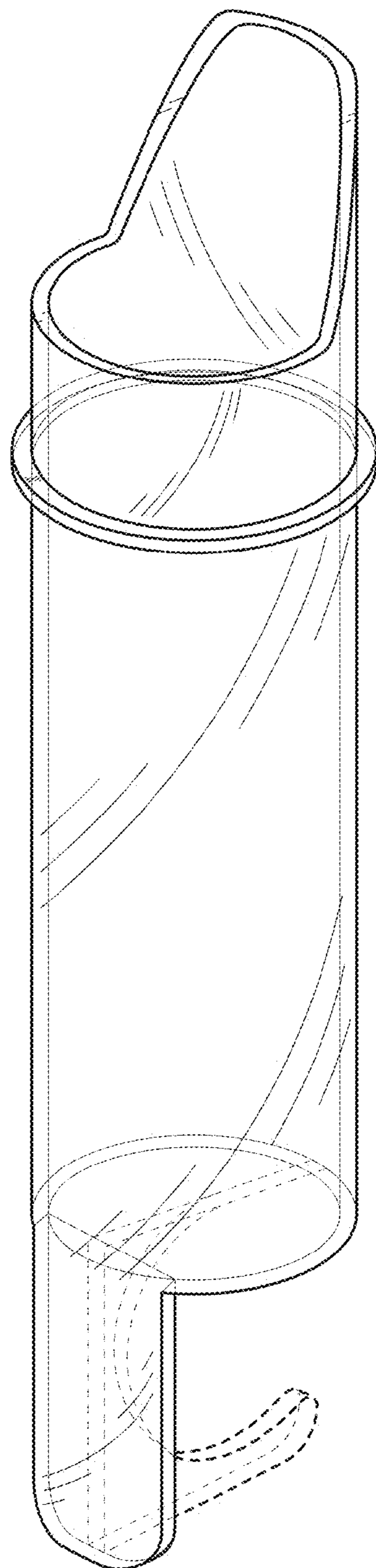


FIG. 22

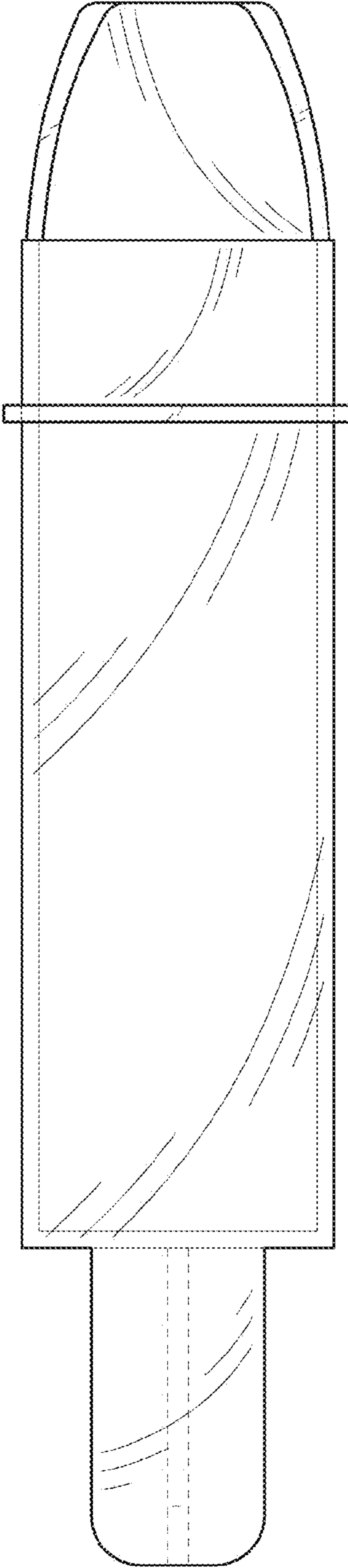


FIG. 23

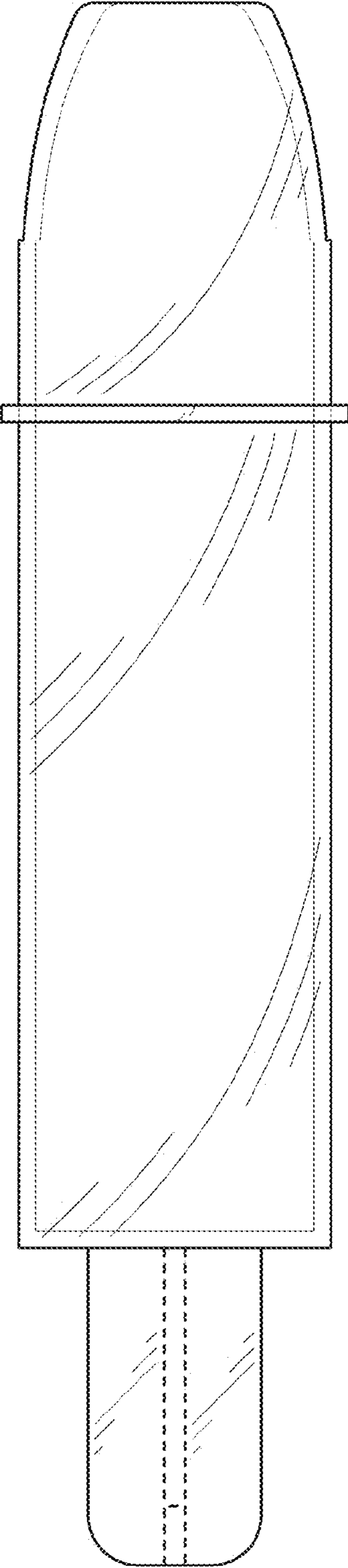


FIG. 24

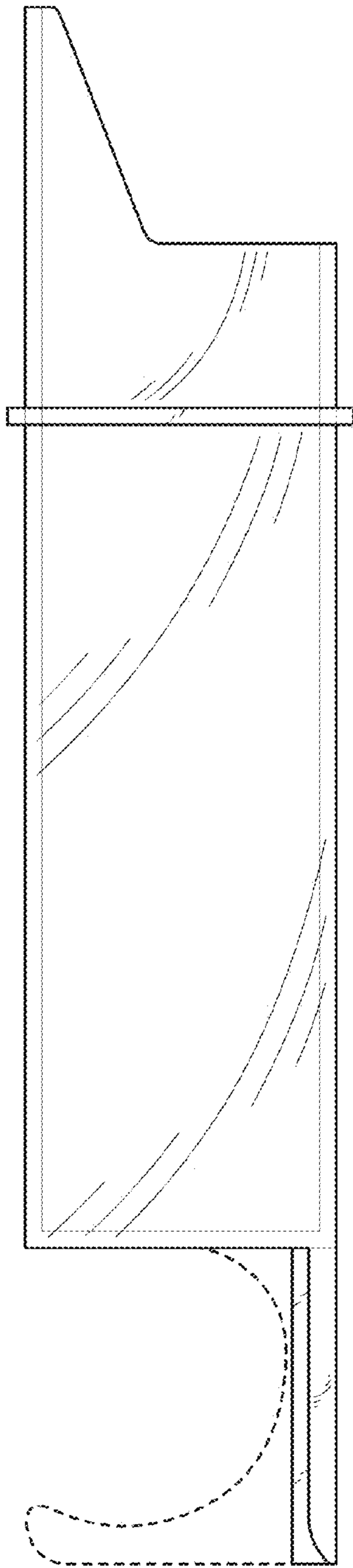


FIG. 25

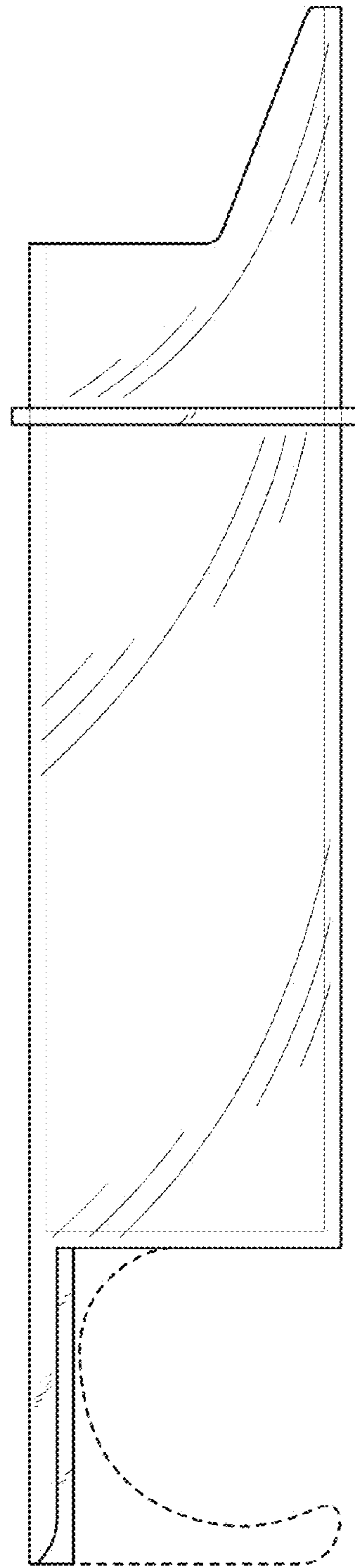


FIG. 26

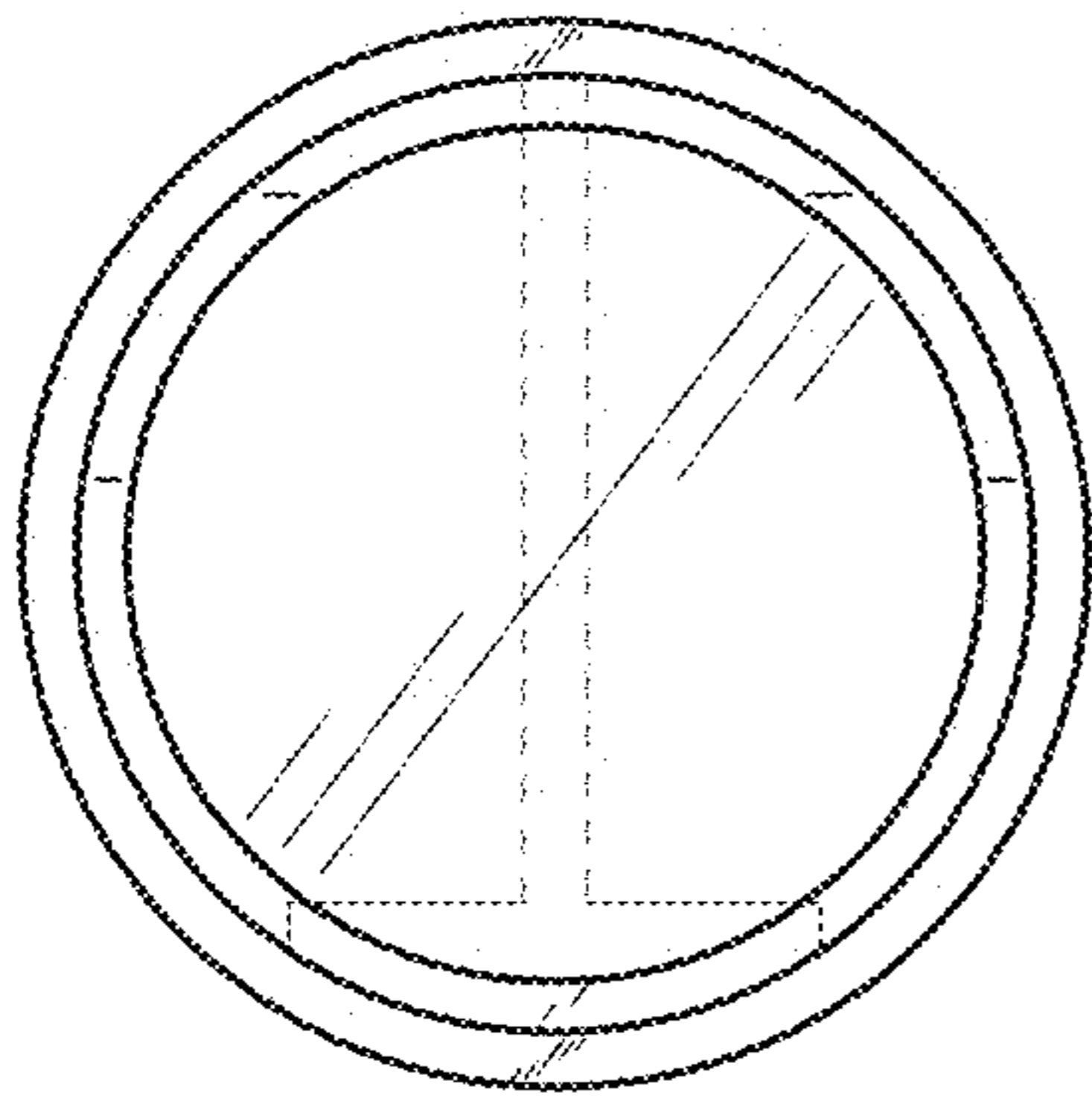


FIG. 27

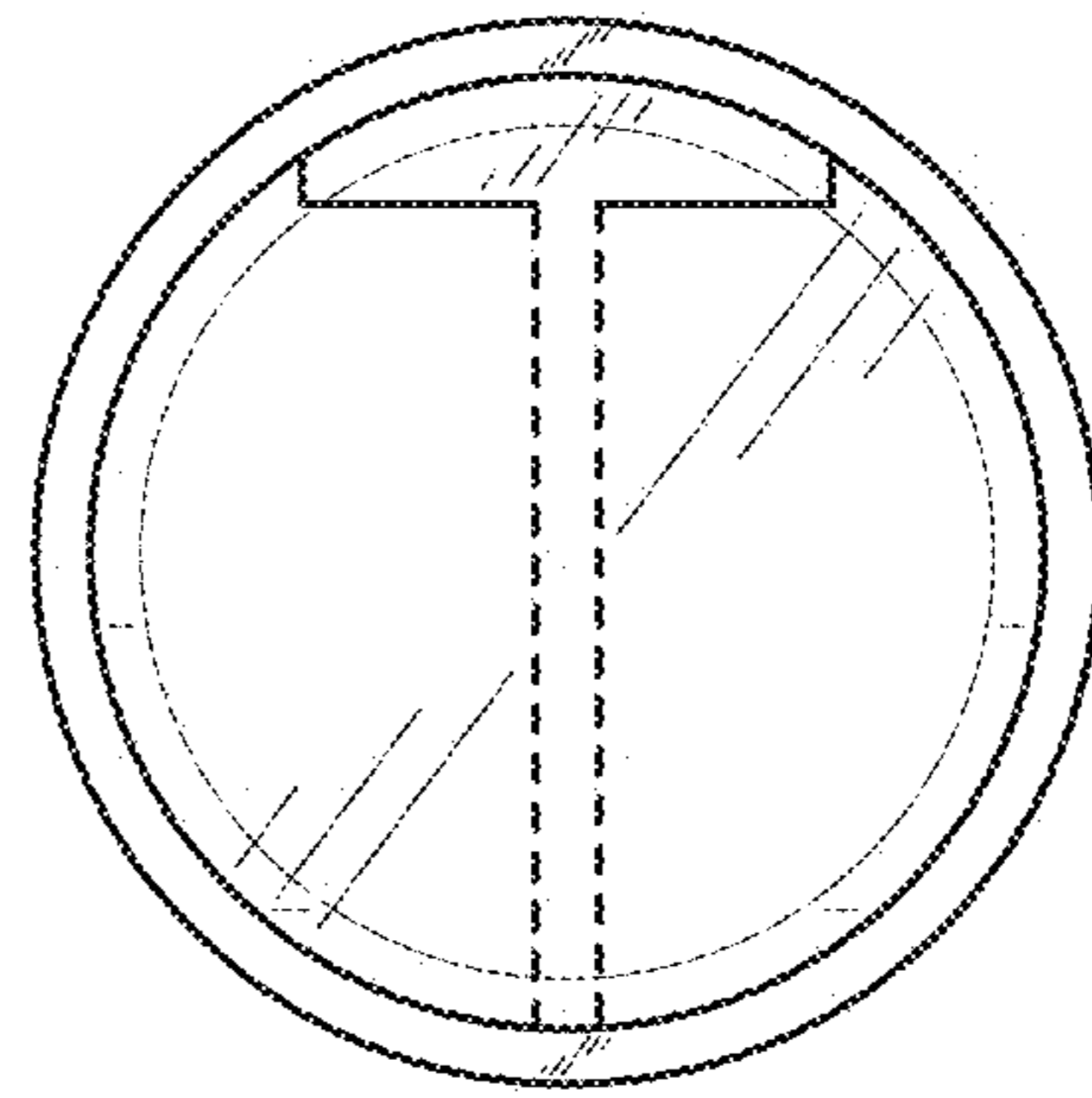


FIG. 28