



US00D755651S

(12) **United States Design Patent**  
**Henssler et al.**

(10) **Patent No.:** **US D755,651 S**

(45) **Date of Patent:** **\*\* May 10, 2016**

(54) **OPTICAL MEASURING INSTRUMENTS,  
APPARATUS AND DEVICES**

(71) Applicant: **BYK-Gardner GmbH**, Geretsried (DE)

(72) Inventors: **Heinrich Henssler**, Schwabisch Gmund (DE); **Martin Schultheiss**, Schwabisch Gmund (DE)

(73) Assignee: **BYK-Gardner GMBH**, Geretsried (DE)

(\*\*) Term: **14 Years**

(21) Appl. No.: **29/504,115**

(22) Filed: **Oct. 2, 2014**

(30) **Foreign Application Priority Data**

Aug. 6, 2014 (EP) ..... 002515809

(51) **LOC (10) Cl.** ..... **10-04**

(52) **U.S. Cl.**  
USPC ..... **D10/46; D10/81**

(58) **Field of Classification Search**  
USPC ..... D10/46, 81, 96, 102  
CPC ..... G01N 21/57; G01N 2021/157; G01N 2021/575; G01N 2021/8663

See application file for complete search history.

(56) **References Cited**

U.S. PATENT DOCUMENTS

4,879,471 A \* 11/1989 Dahlquist ..... D21F 7/003  
250/339.06  
D309,439 S \* 7/1990 Goszyk ..... D10/46  
D706,658 S \* 6/2014 Richenberger ..... D10/96  
D719,039 S \* 12/2014 Chang ..... D10/63

\* cited by examiner

*Primary Examiner* — Antoine D Davis

(74) *Attorney, Agent, or Firm* — Stoel Rives LLP

(57) **CLAIM**

The ornamental design for an optical measuring instrument, apparatus and device, as shown and described.

**DESCRIPTION**

FIG. 1 is a perspective view of an optical measuring instrument.

FIG. 2 is a second perspective view of the optical measuring instrument of FIG. 1.

FIG. 3 is a right side view of the optical measuring instrument of FIG. 1.

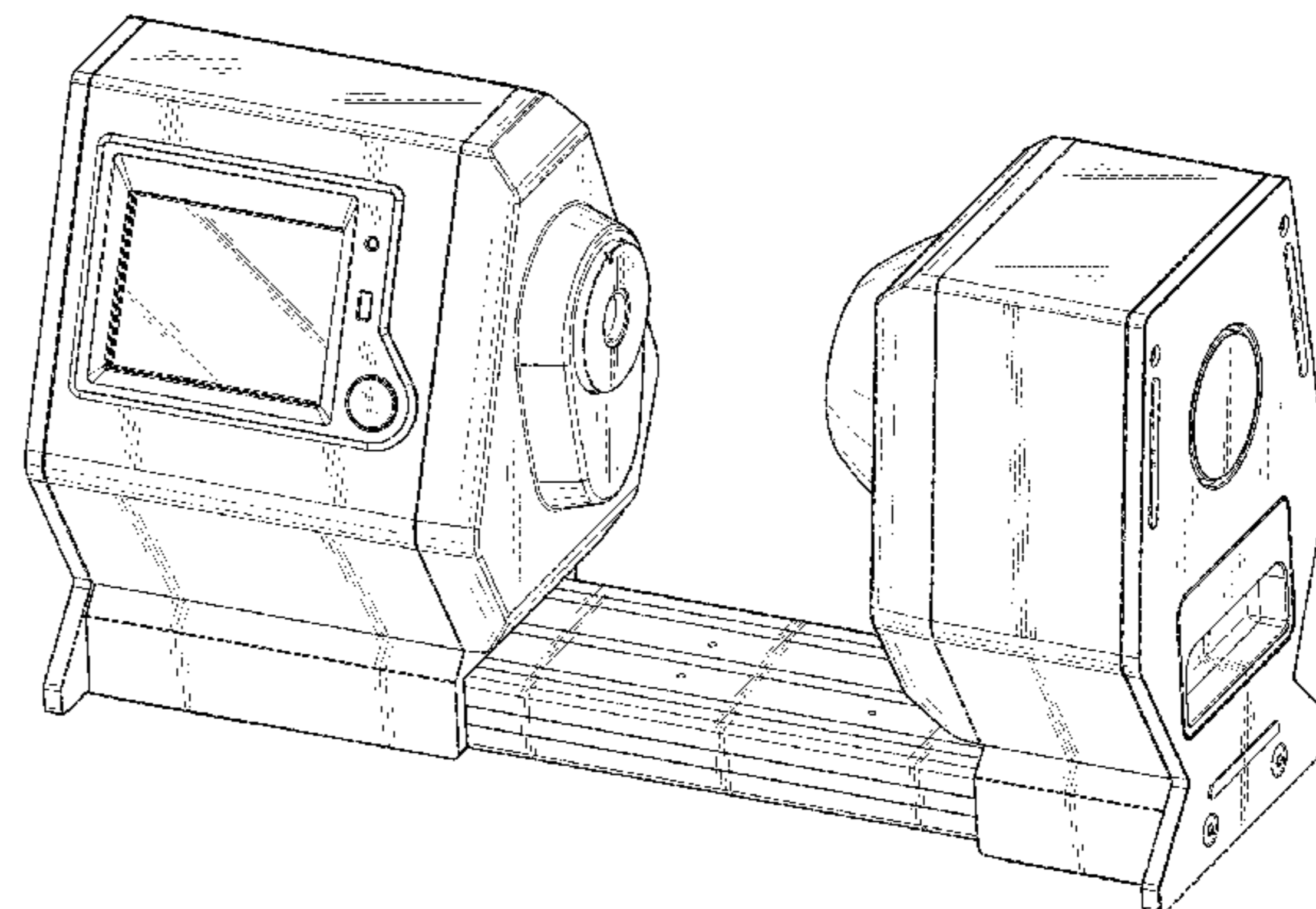
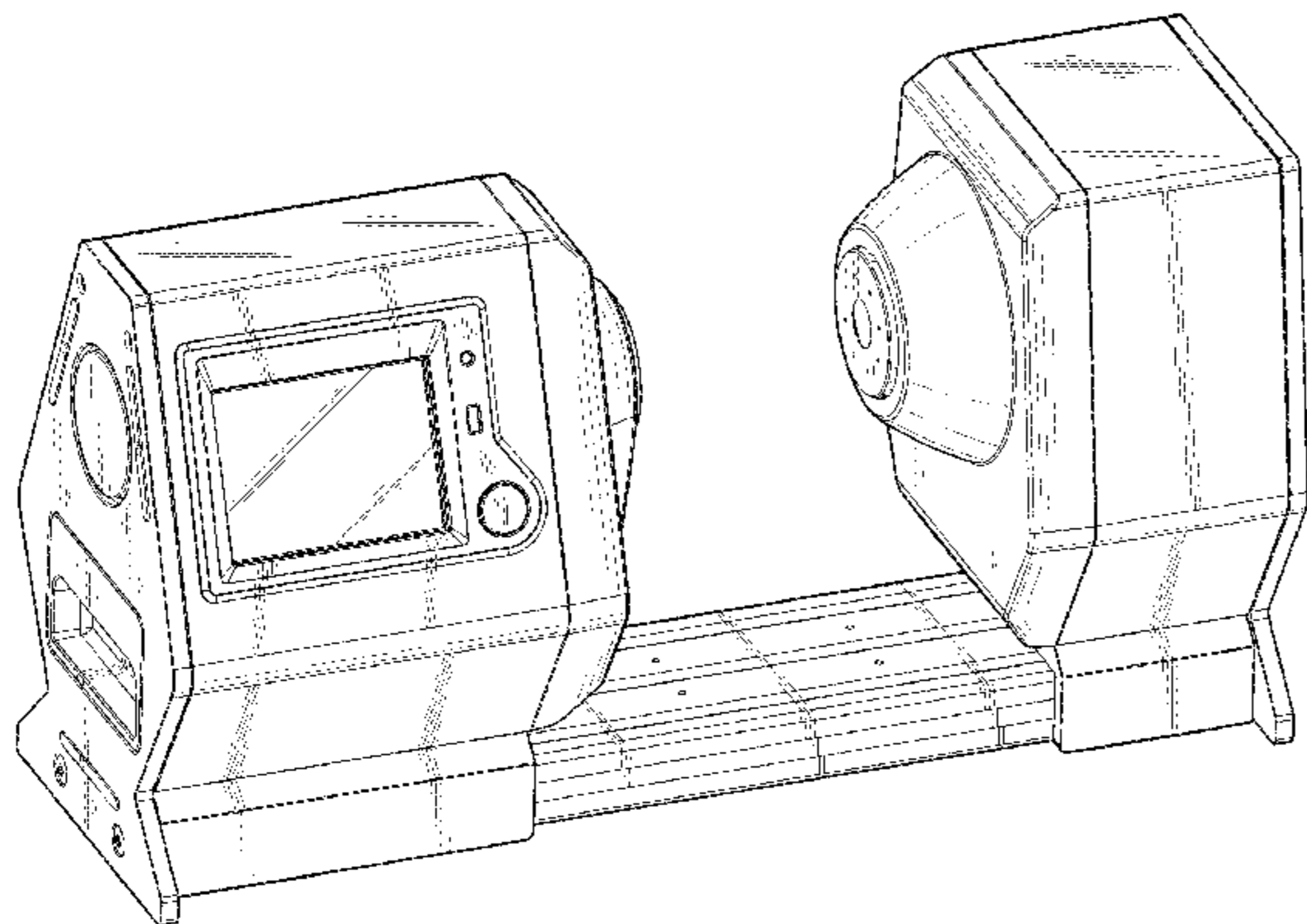
FIG. 4 is a top view of the optical measuring instrument of FIG. 1.

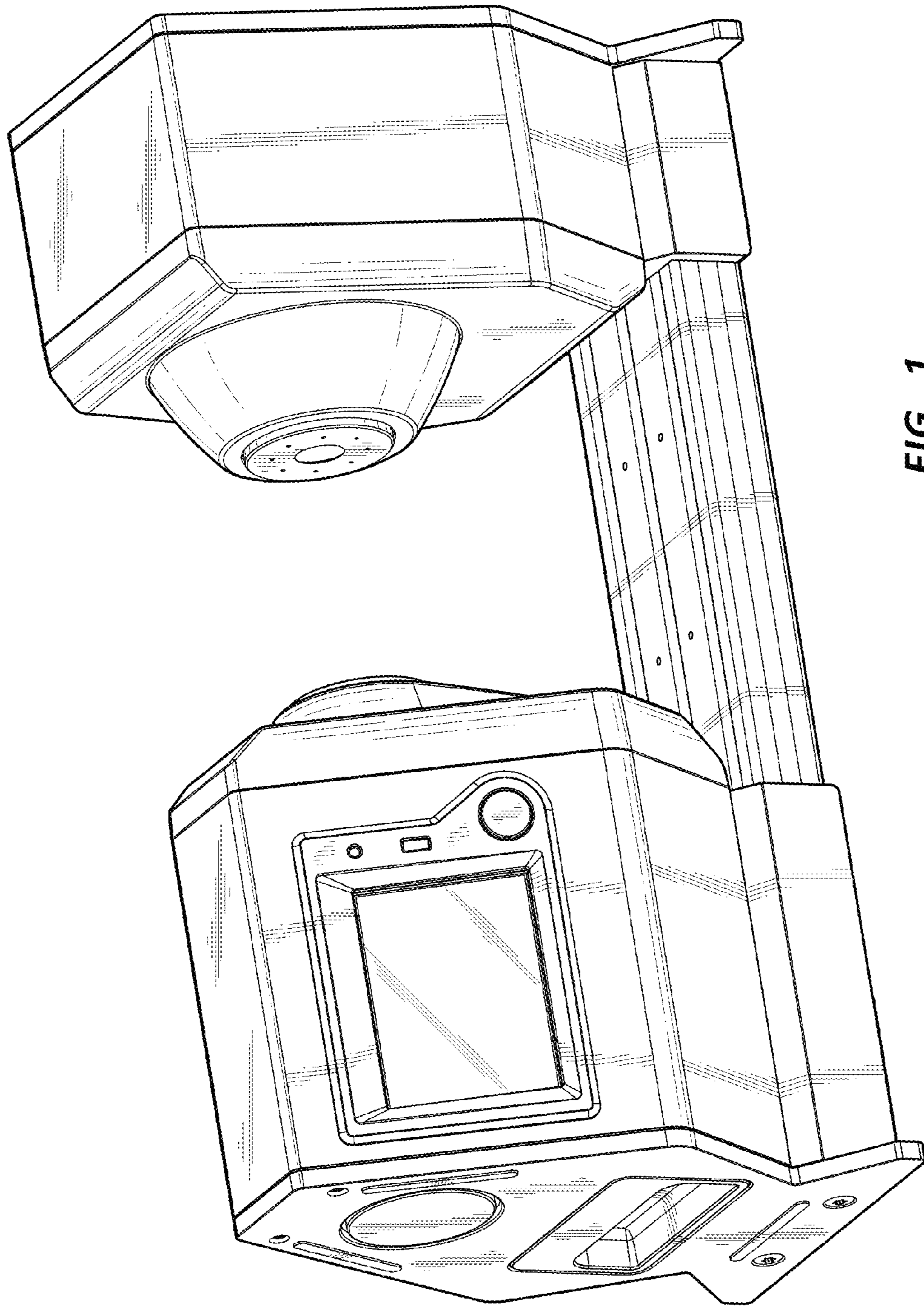
FIG. 5 is a front view of the optical measuring instrument of FIG. 1. A rear view of the optical measuring instrument of FIG. 1 would be a mirror image of the front view shown in FIG. 5.

FIG. 6 is a bottom view of the optical measuring instrument of FIG. 1; and,

FIG. 7 is a left side view of the optical measuring instrument of FIG. 1.

**1 Claim, 7 Drawing Sheets**





**FIG. 1**

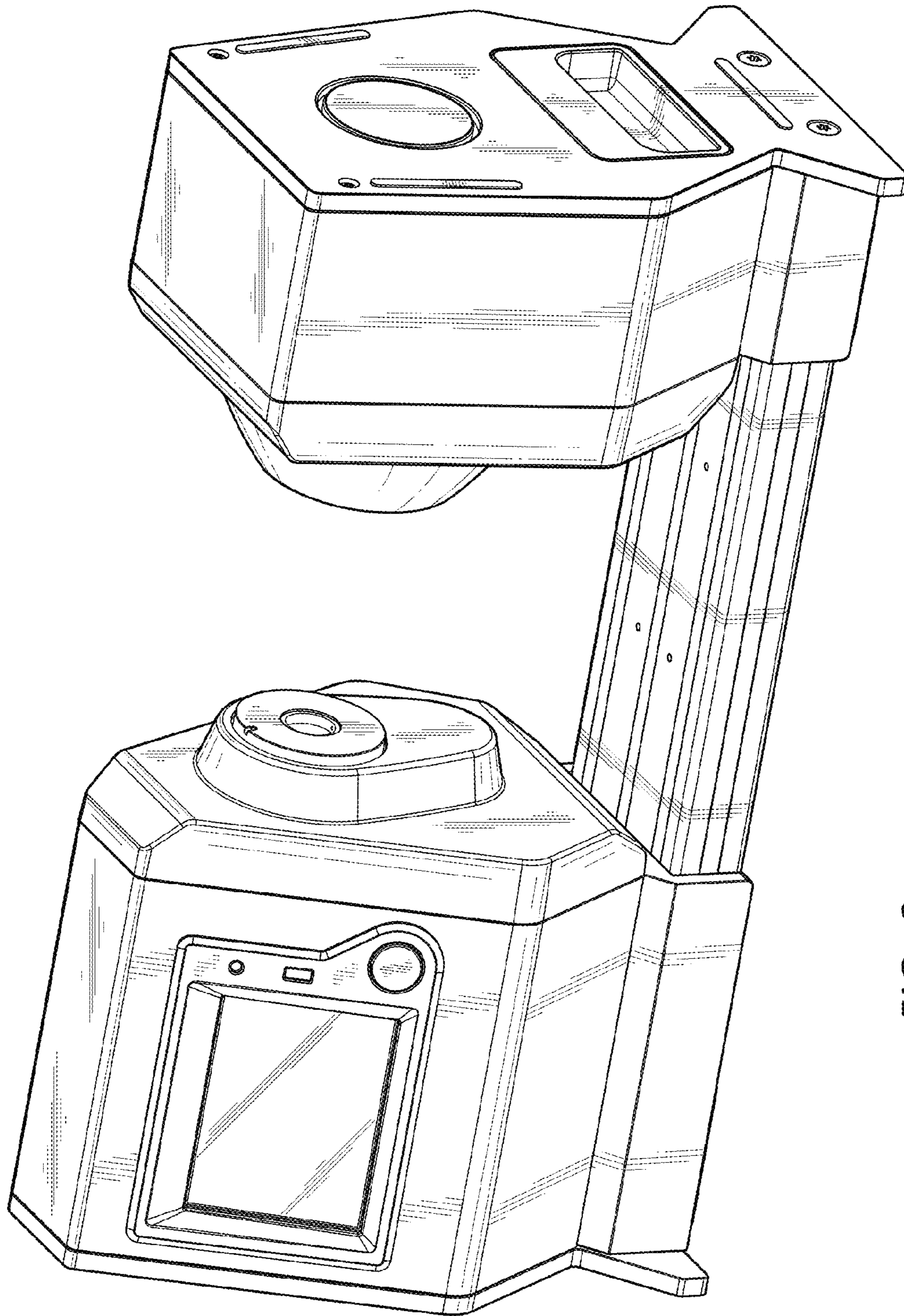


FIG. 2

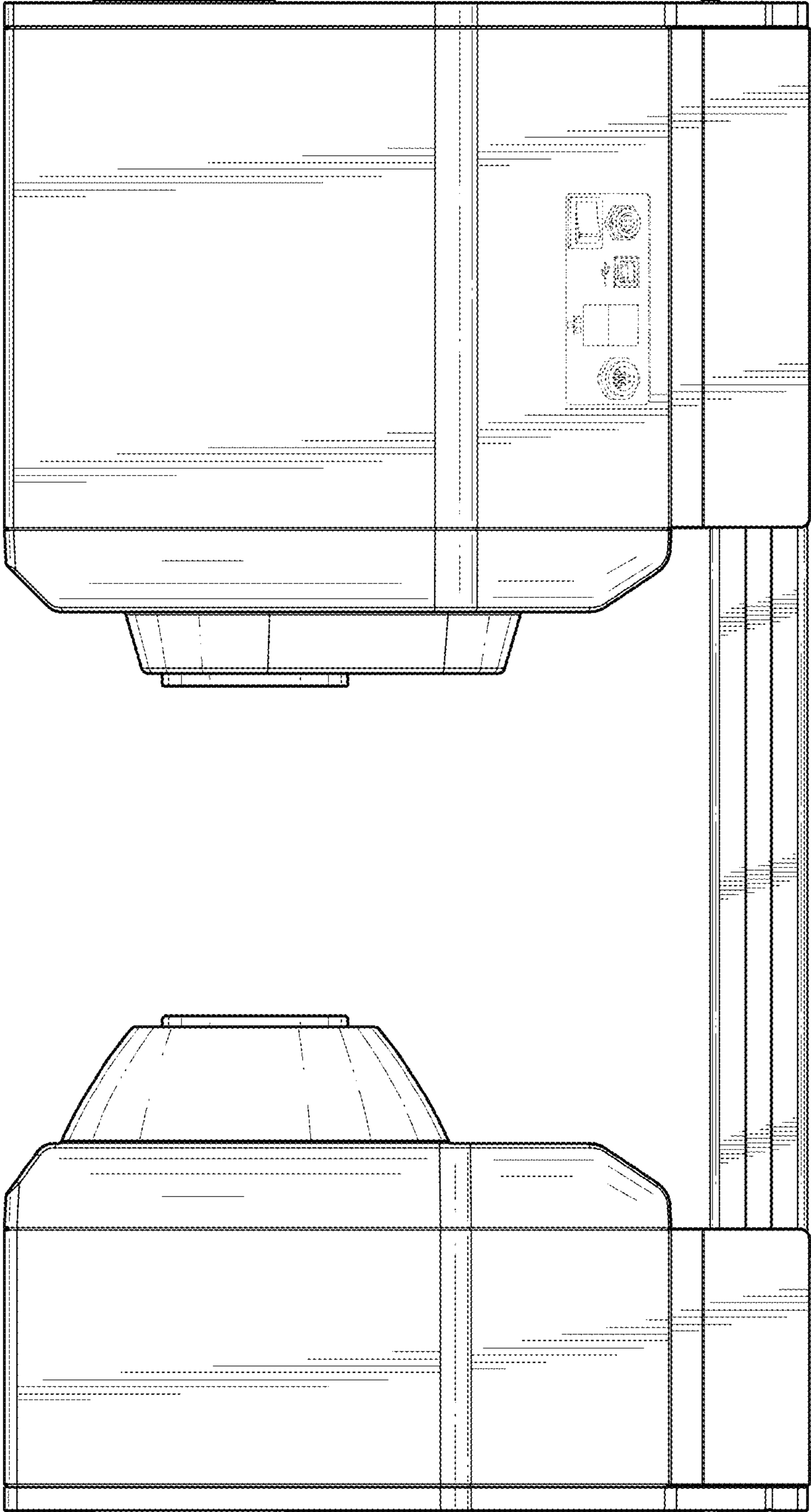


FIG. 3

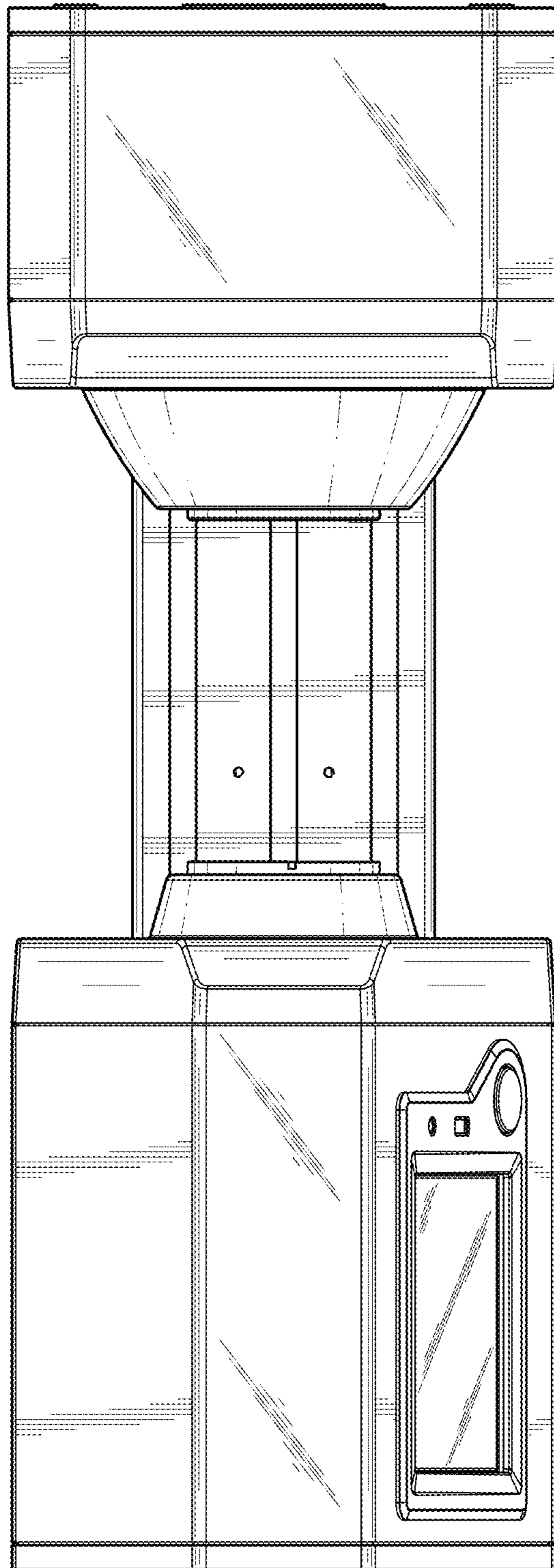


FIG. 4

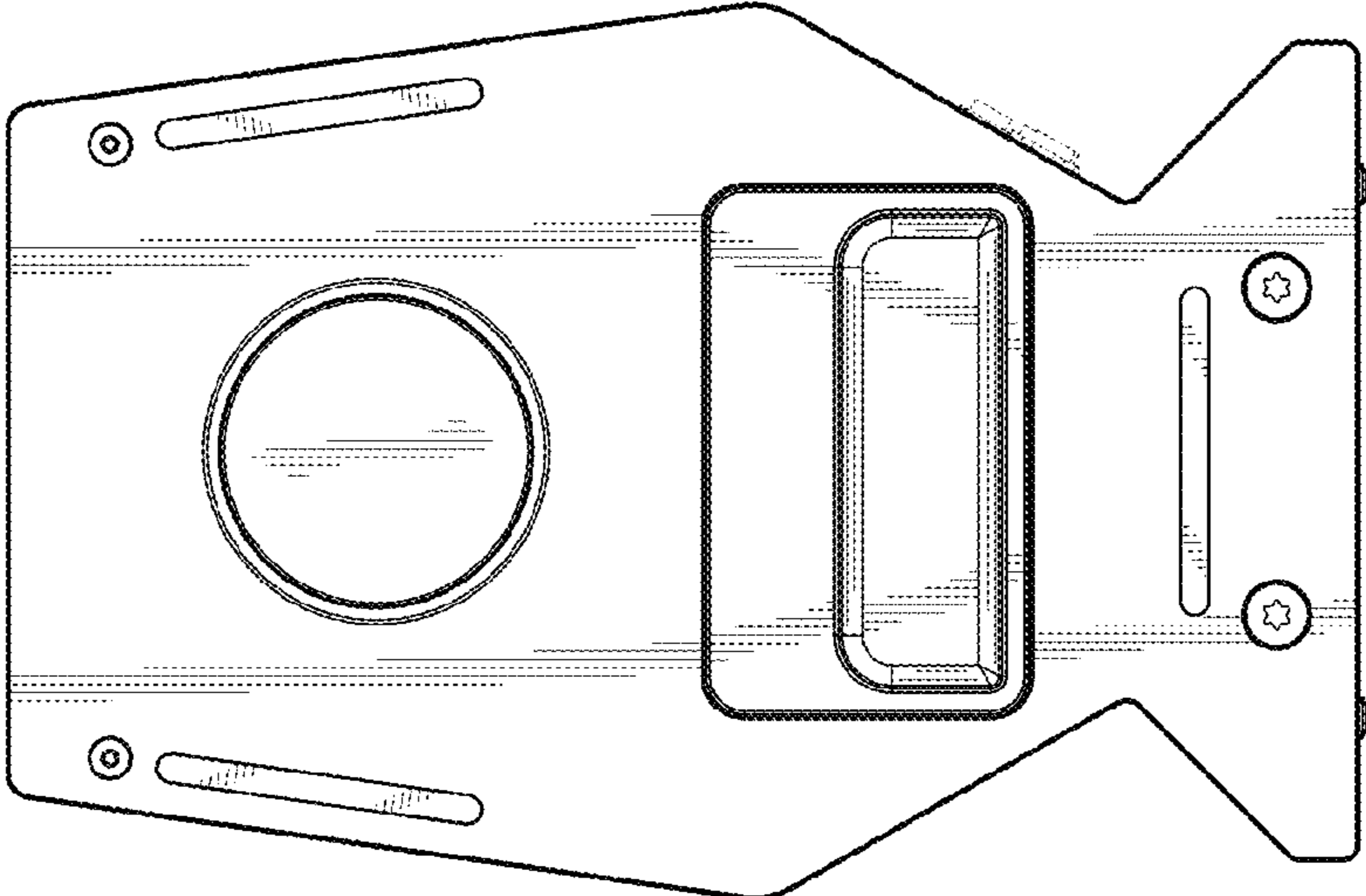


FIG. 5

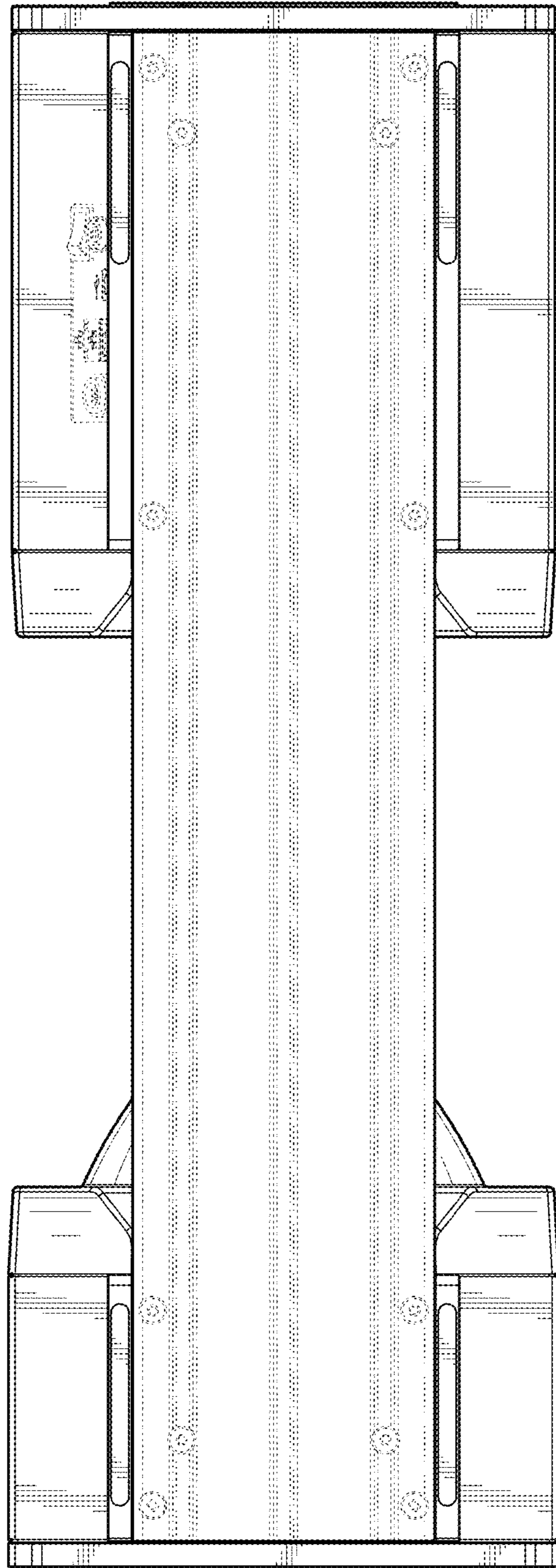


FIG. 6

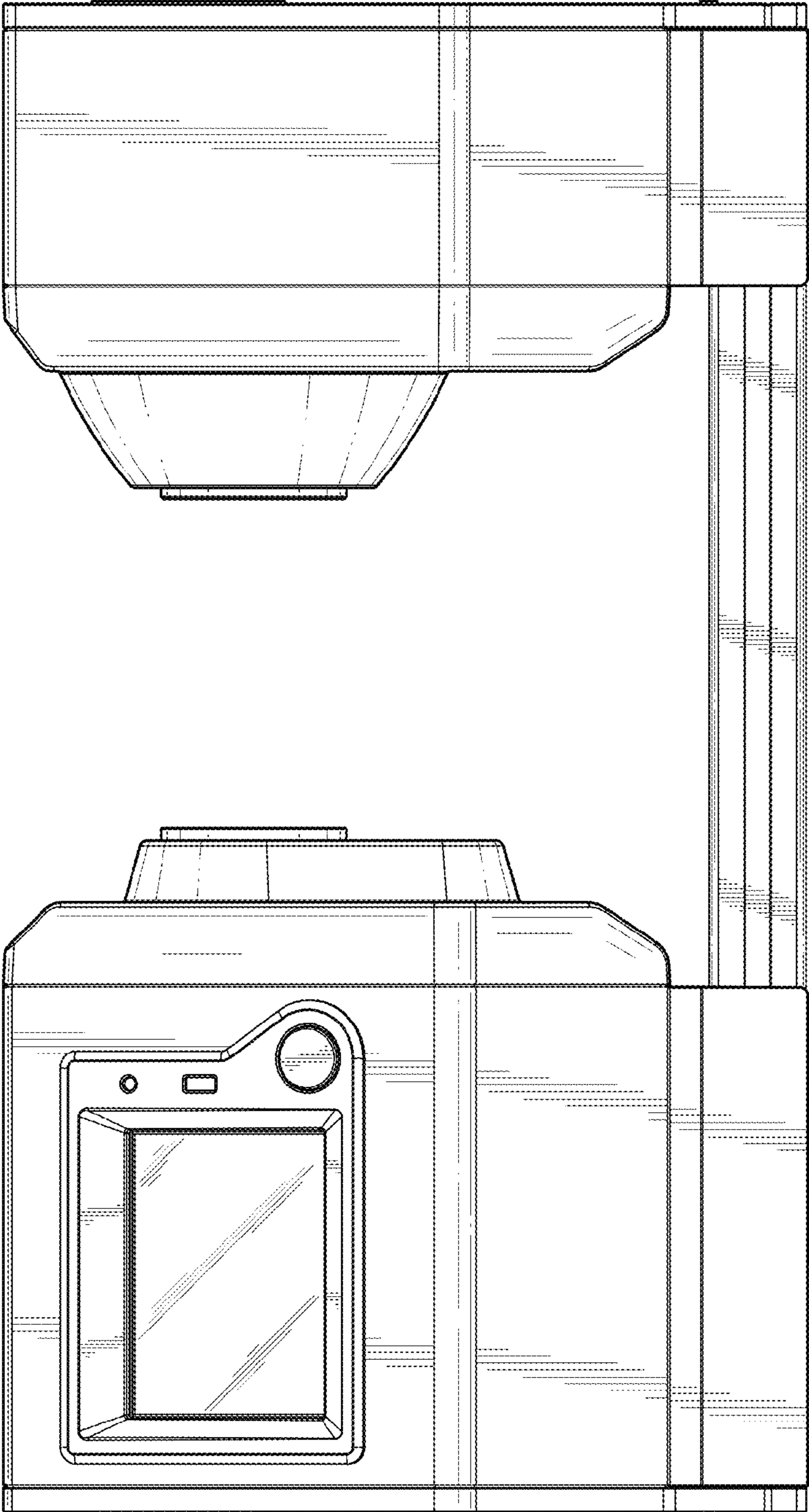


FIG. 7