



US00D755648S

(12) **United States Design Patent**
Bing et al.

(10) **Patent No.:** **US D755,648 S**

(45) **Date of Patent:** **** May 10, 2016**

(54) **TIMER**

D582,797 S * 12/2008 Fraser D10/40
D621,285 S * 8/2010 Stekelenburg D10/40
8,314,517 B2 * 11/2012 Simard G04C 23/347
307/140

(71) Applicant: **Prime Wire & Cable, Inc.**, La Jolla, CA
(US)

(Continued)

(72) Inventors: **Qin Bing**, Ningbo (CN); **Cynthia Marvel**, Mooresville, NC (US); **Jeff Millar-Sax**, Yucaipa, CA (US)

Primary Examiner — Martie K Holtje
(74) *Attorney, Agent, or Firm* — Buche & Associates, P.C.;
John K. Buche; Bryce A. Johnson

(**) Term: **14 Years**

(57) **CLAIM**
The ornamental design for a timer, as shown and described.

(21) Appl. No.: **29/494,467**

DESCRIPTION

(22) Filed: **Jun. 20, 2014**

(51) **LOC (10) Cl.** **10-03**

(52) **U.S. Cl.**
USPC **D10/40**

(58) **Field of Classification Search**
USPC D10/40
CPC G04G 15/00; G04G 15/006; H01H 43/00;
H01H 43/02; H01H 43/022; H01H 43/04;
H05B 37/00; H05B 37/02; H05B 37/0281;
G04C 23/00; G04C 23/34; G04C 23/347
See application file for complete search history.

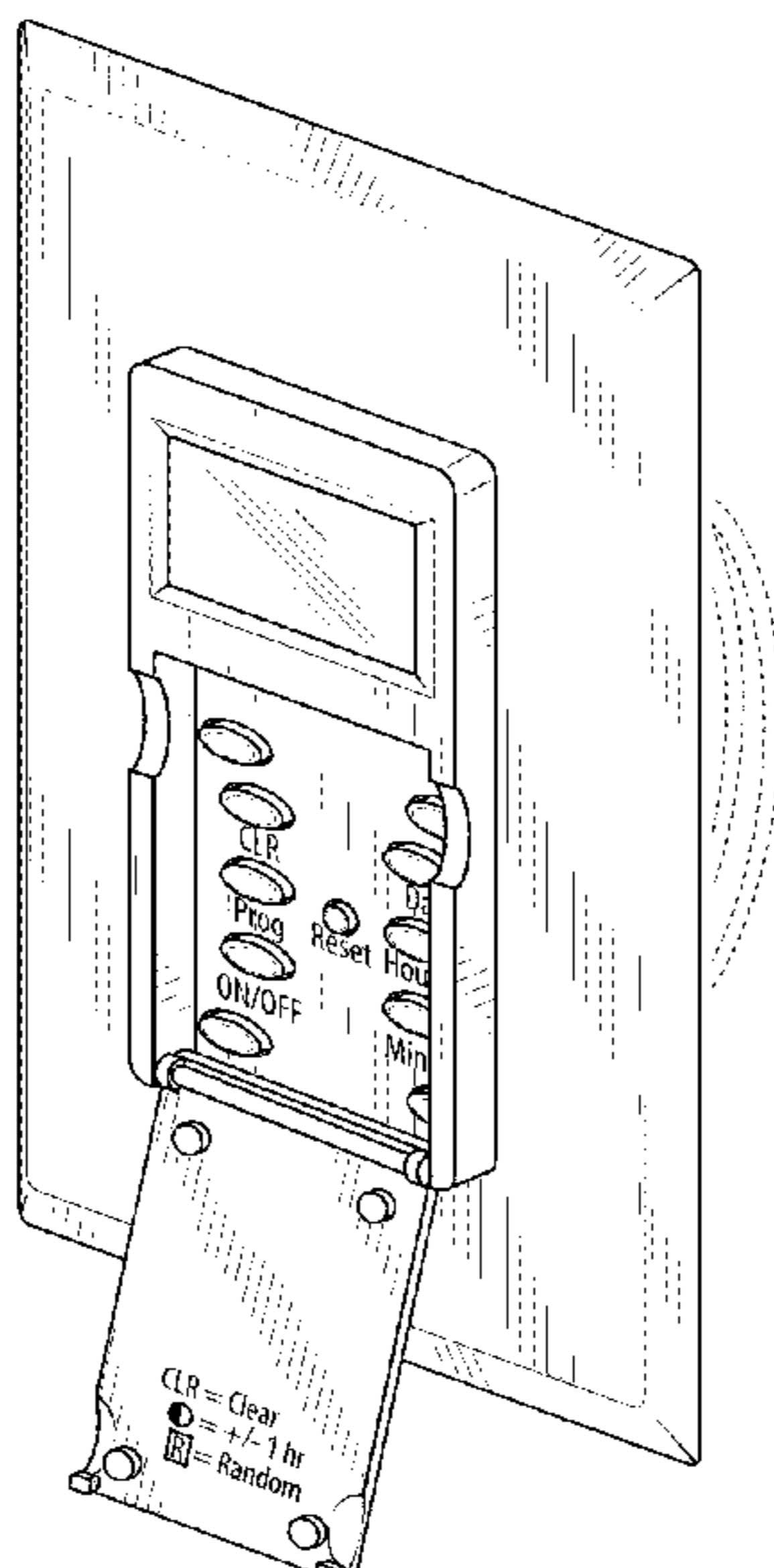
FIG. 1 is a right front perspective view of a first embodiment of a timer showing our new design.
FIG. 2 is a front elevational view thereof.
FIG. 3 is a rear elevational view thereof.
FIG. 4 is a right-side elevational view thereof.
FIG. 5 is a left-side elevational view thereof.
FIG. 6 is a top plan view thereof.
FIG. 7 is a bottom plan view thereof.
FIG. 8 is a right front perspective view of a second embodiment of our design of FIG. 1.
FIG. 9 is a front elevational view of FIG. 8.
FIG. 10 is a rear elevational view of FIG. 8.
FIG. 11 is a right-side elevational view of FIG. 8.
FIG. 12 is a left-side elevational view of FIG. 8.
FIG. 13 is a top plan view of FIG. 8.
FIG. 14 is a bottom plan view of FIG. 8.
FIG. 15 is a right front perspective view of a third embodiment of our design of FIG. 1.
FIG. 16 is a front elevational view of FIG. 15.
FIG. 17 is a rear elevational view of FIG. 15.
FIG. 18 is a right-side elevational view of FIG. 15.
FIG. 19 is a left-side elevational view of FIG. 15.
FIG. 20 is a top plan view of FIG. 15; and,
FIG. 21 is a bottom plan view of FIG. 15.
In the figures, features of the timer drawn in broken lines form no part of the claimed design.

(56) **References Cited**

U.S. PATENT DOCUMENTS

D278,415 S * 4/1985 Fenne D10/40
D310,992 S 10/1990 Rosenbaum et al.
5,160,853 A 11/1992 Simon et al.
D430,497 S 9/2000 Michaels
6,121,889 A 9/2000 Janda et al.
D435,523 S 12/2000 Ciornei et al.
D455,359 S 4/2002 Stekelenburg
D500,686 S * 1/2005 Stekelenburg D10/40
D500,687 S * 1/2005 Morrison D10/40
D533,512 S * 12/2006 Nakashima D13/164
D575,646 S 8/2008 Ni et al.

1 Claim, 15 Drawing Sheets



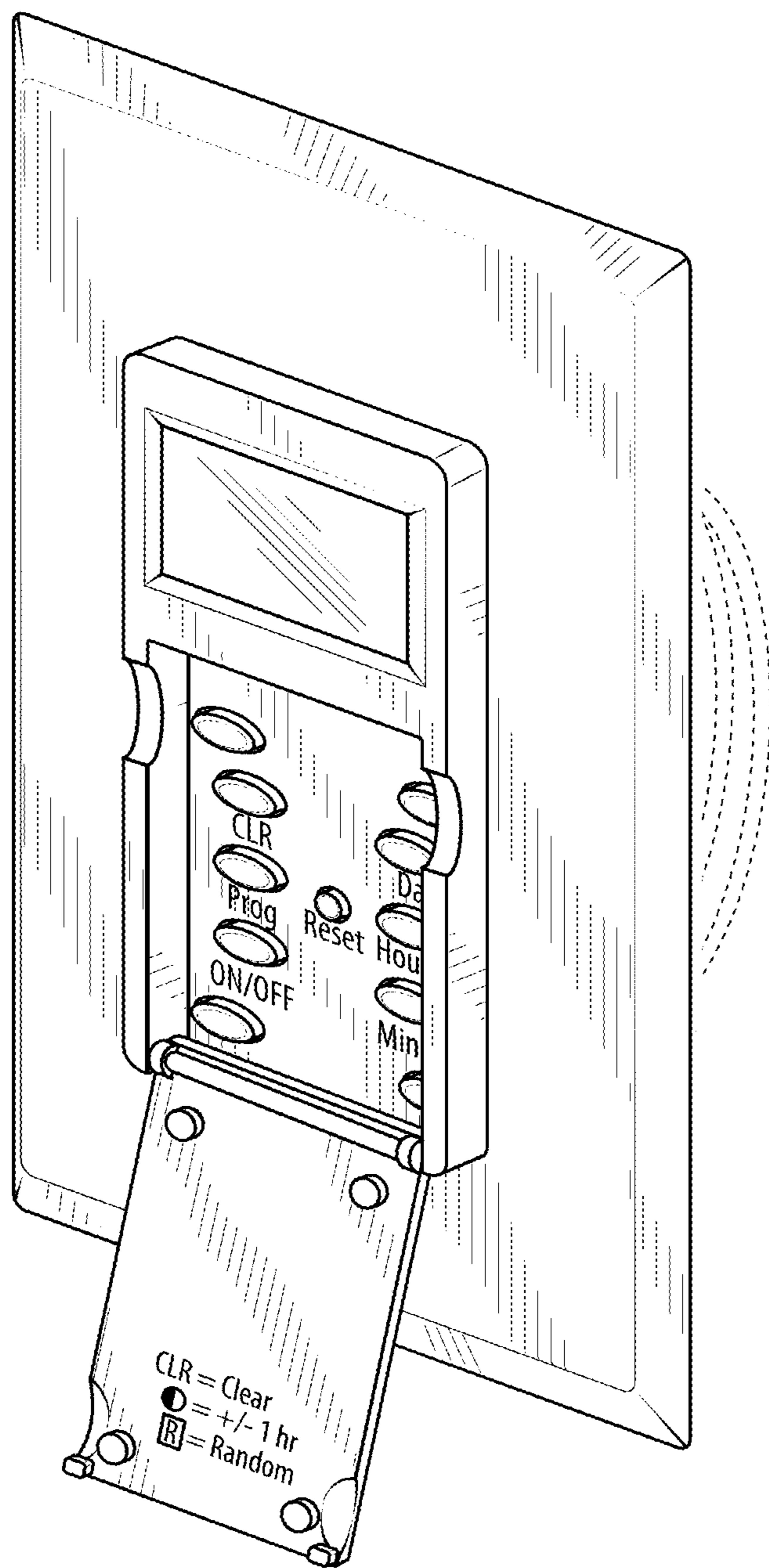


FIG. 1

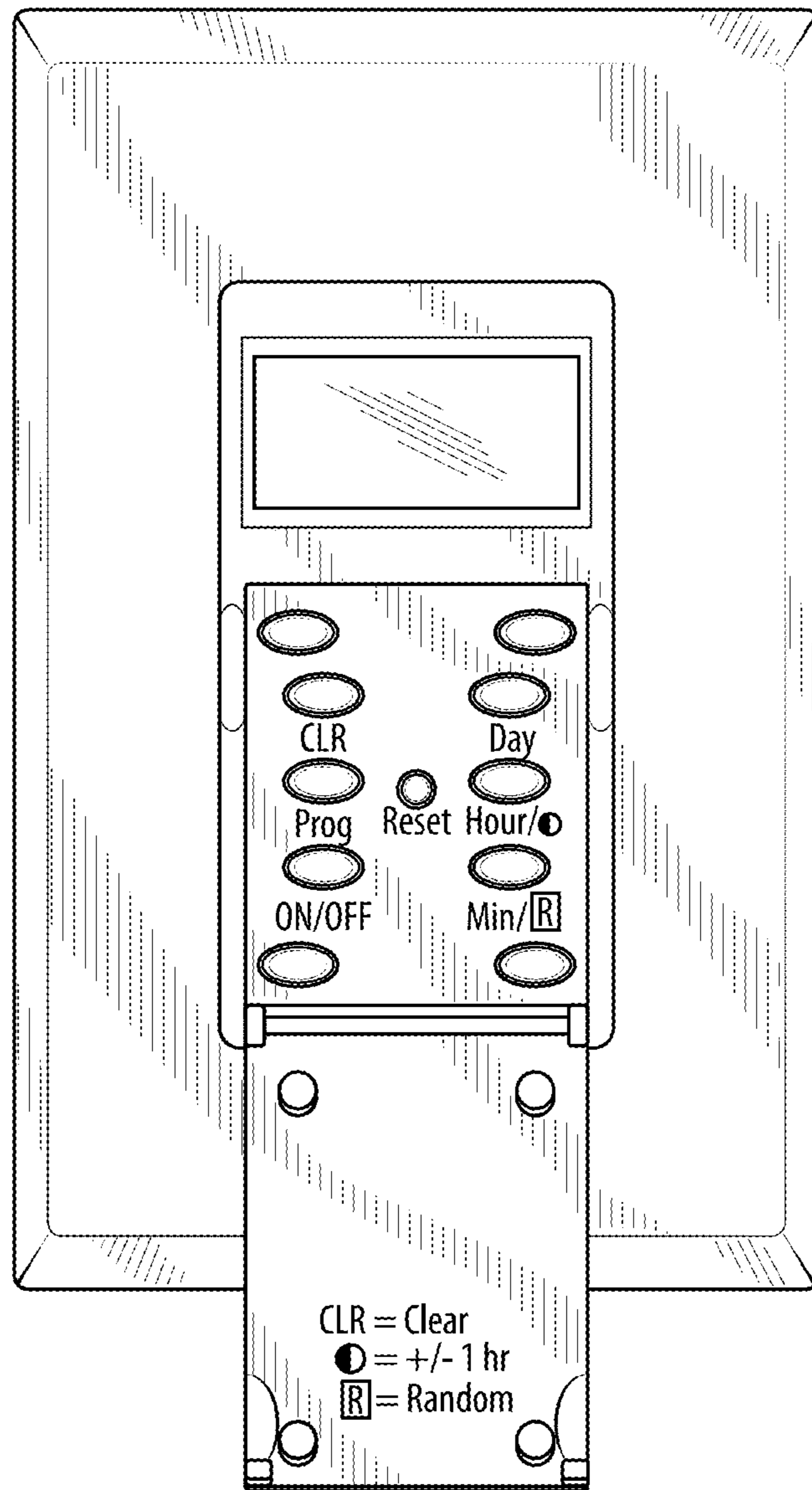


FIG. 2

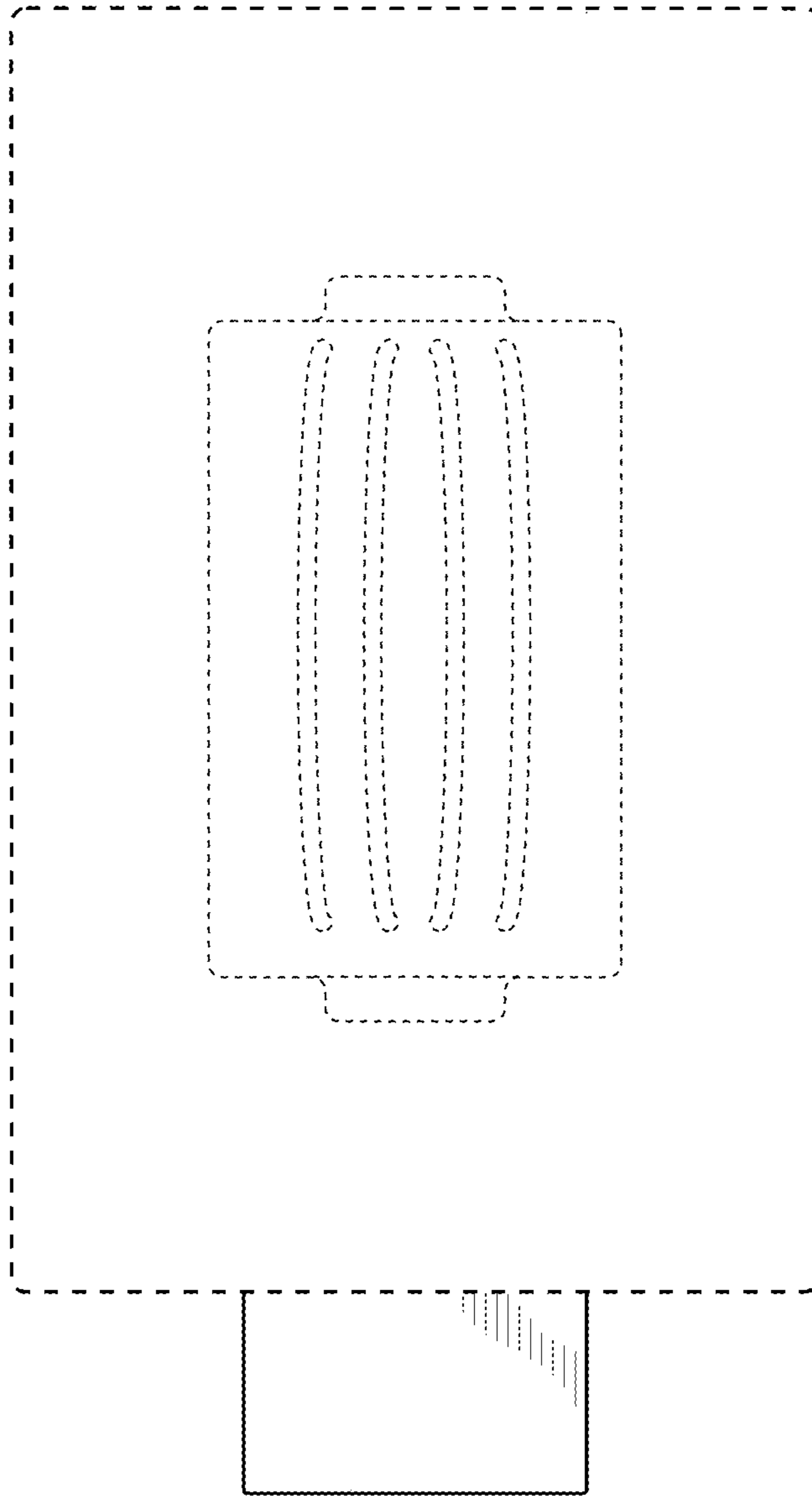


FIG. 3

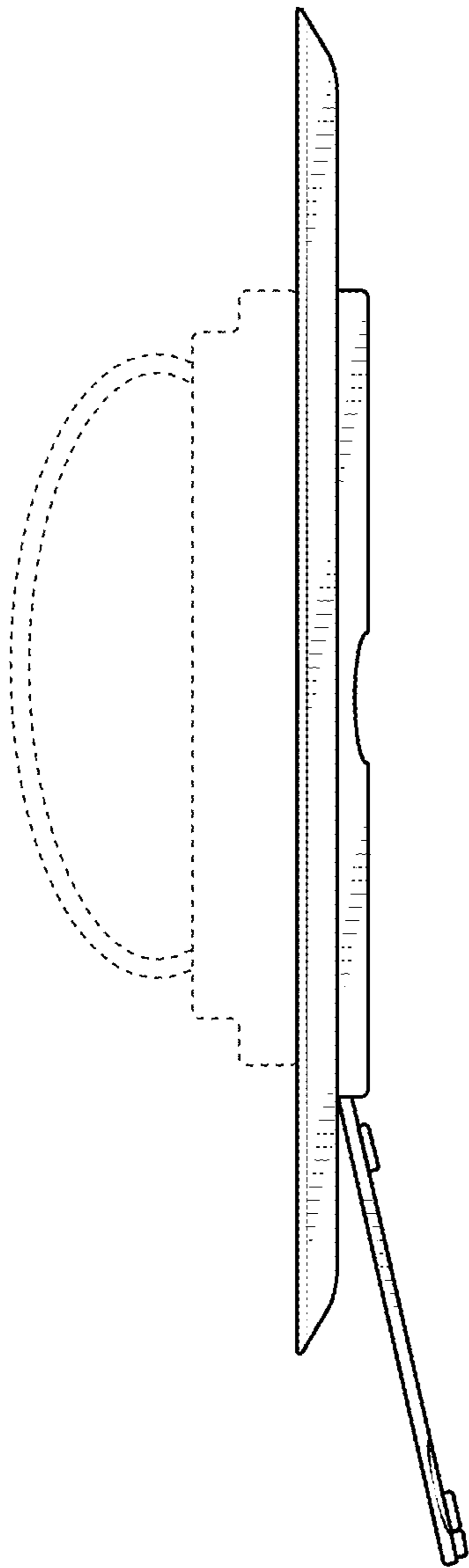


FIG. 4

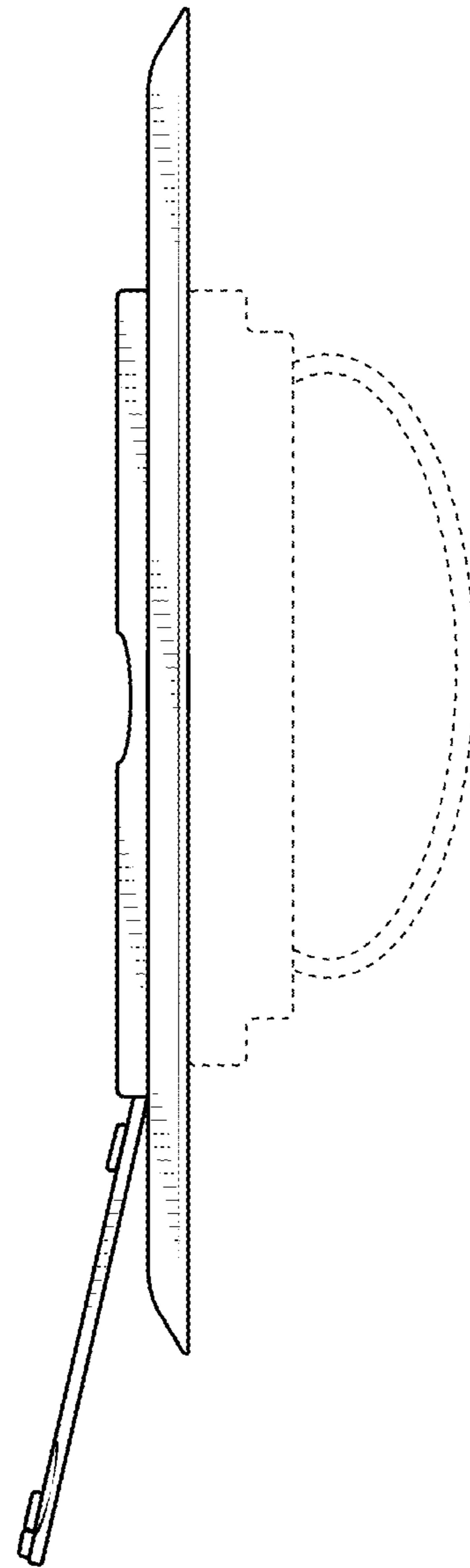


FIG. 5

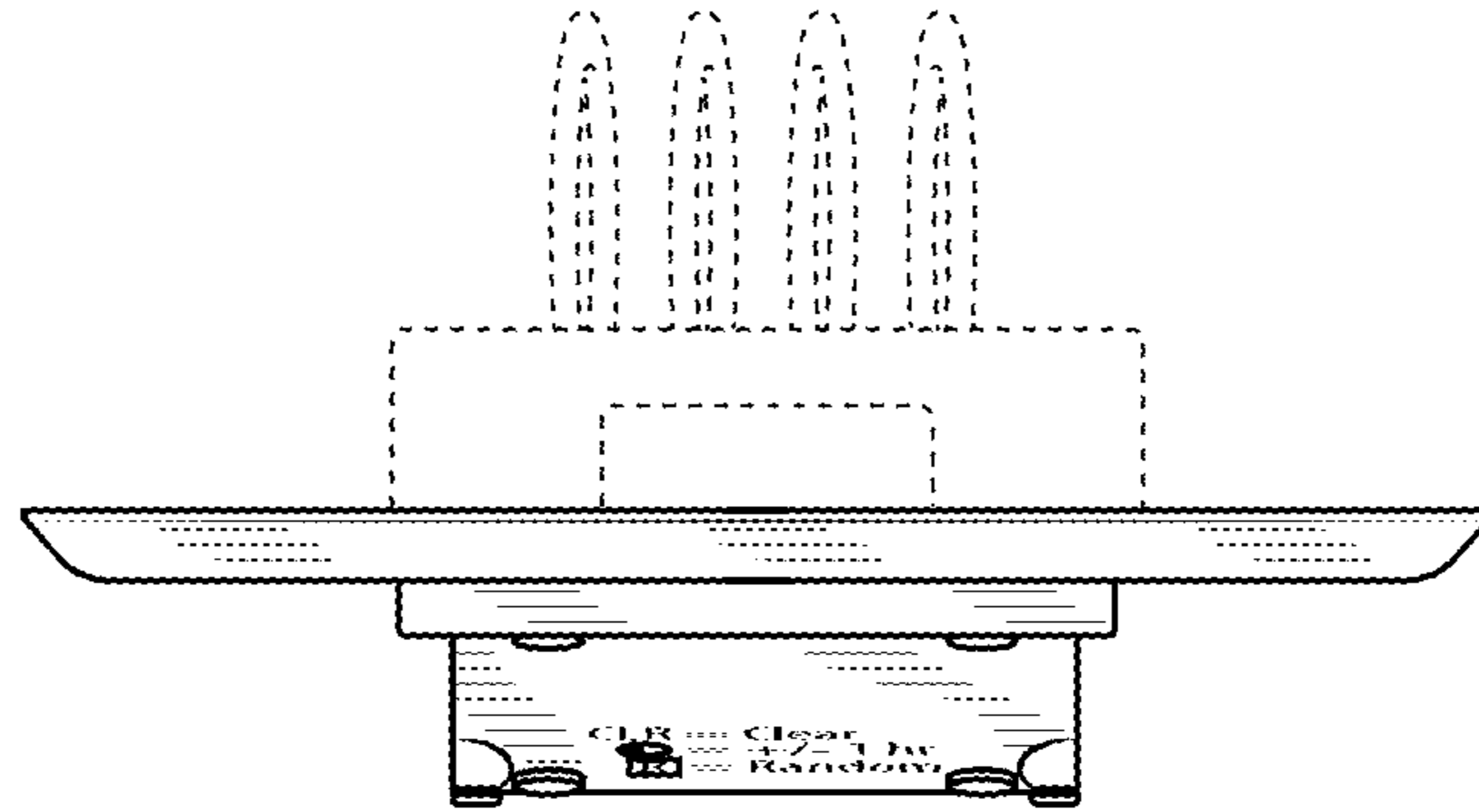


FIG. 6

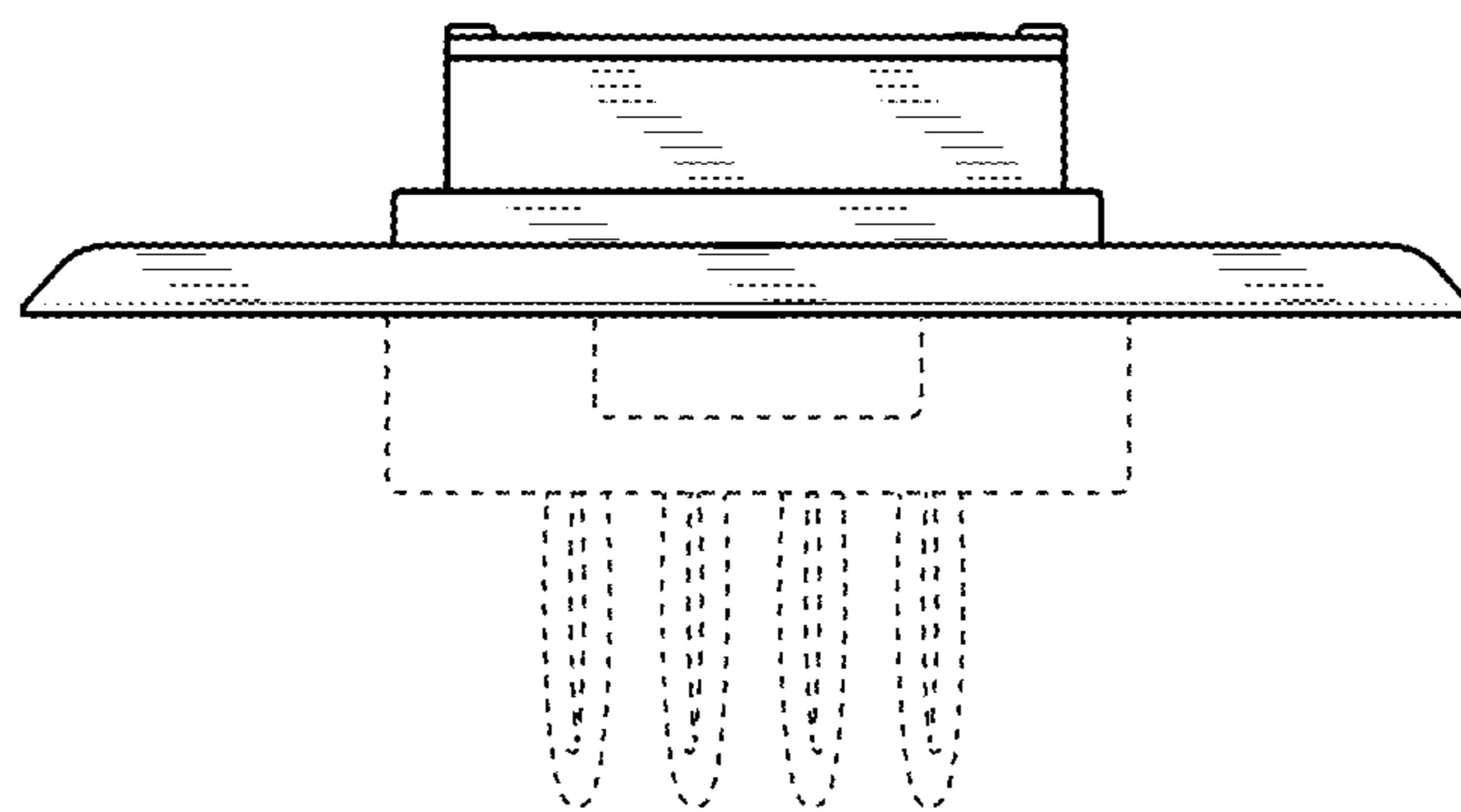


FIG. 7

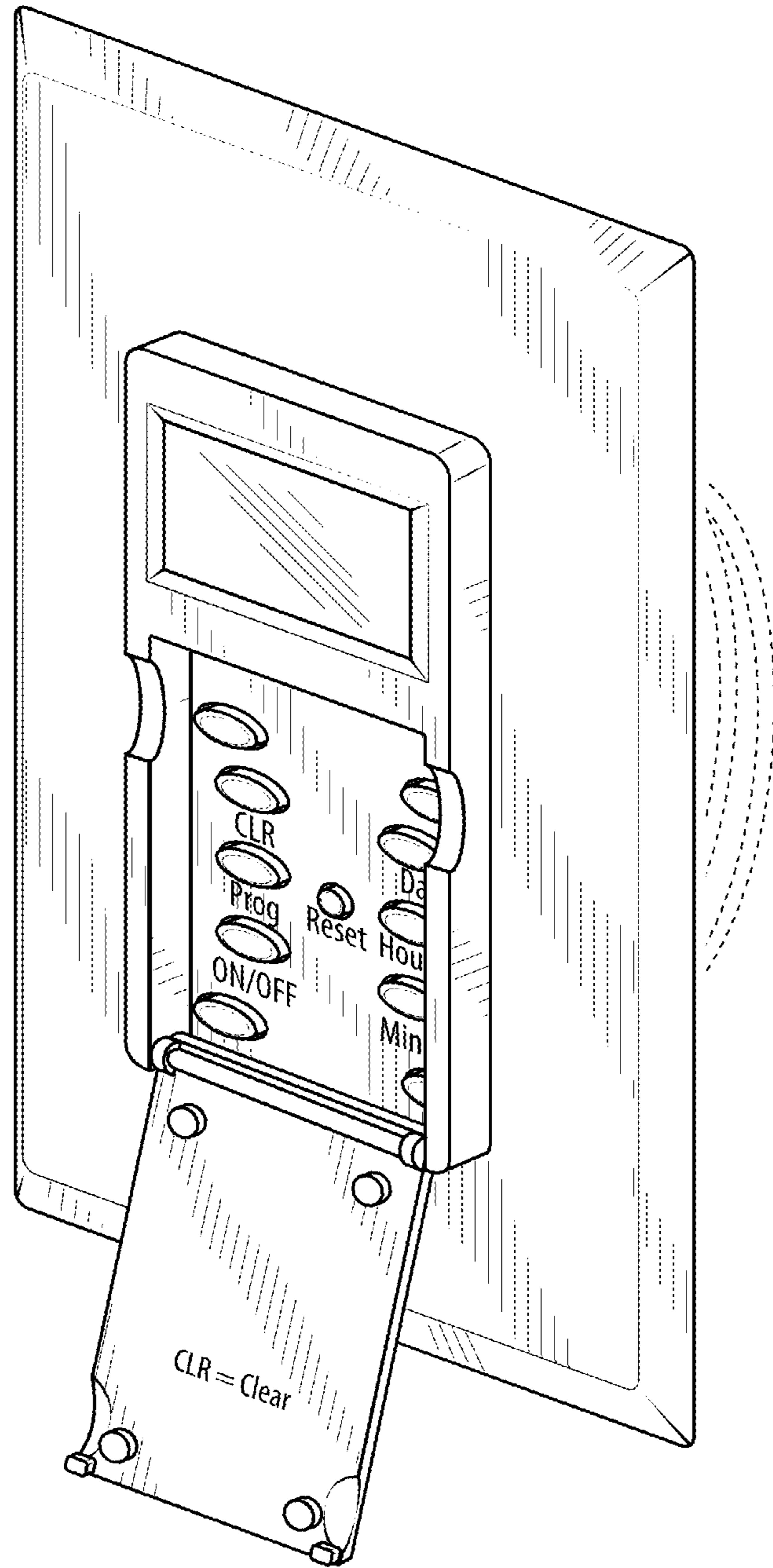


FIG. 8

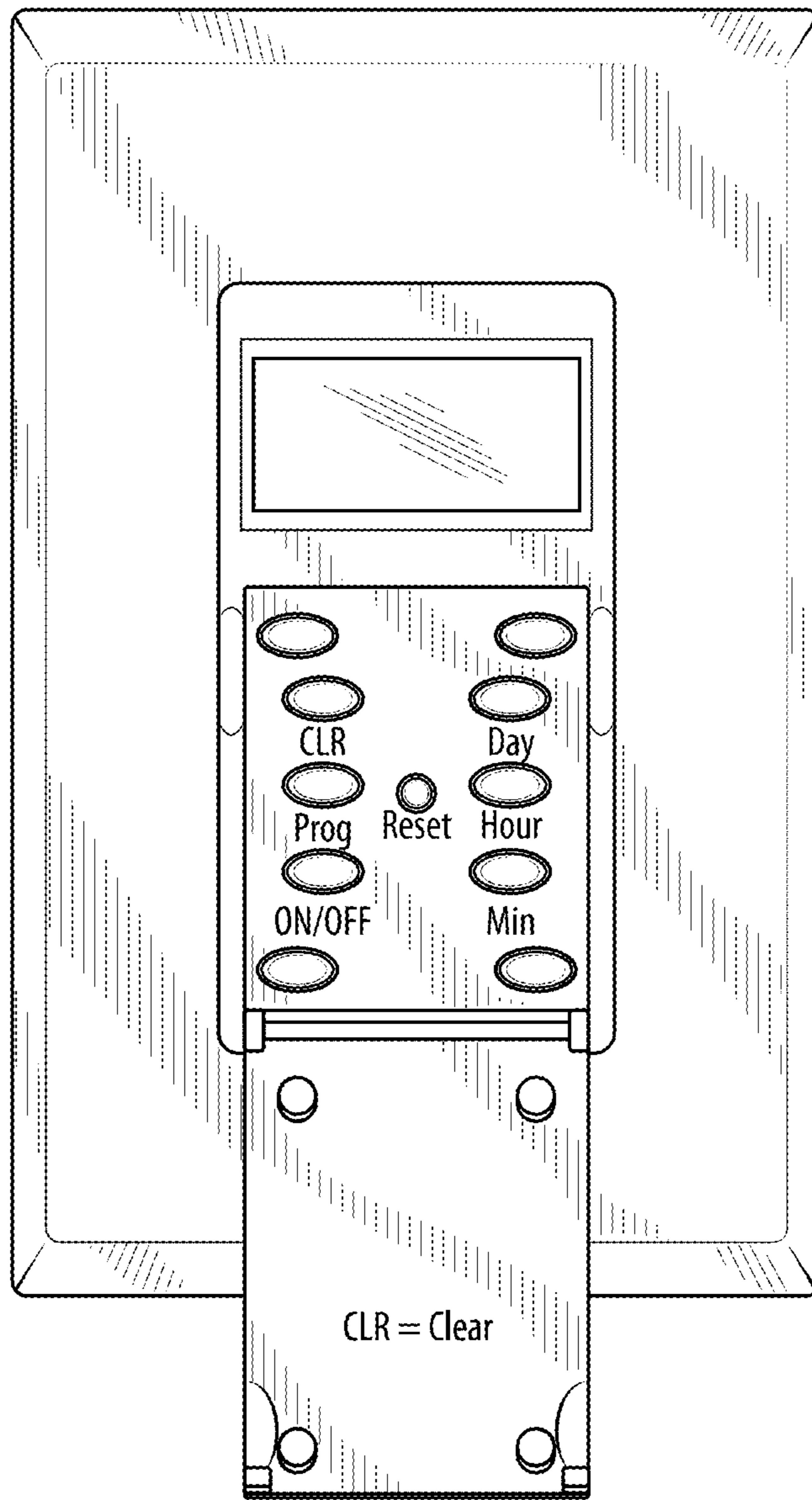


FIG. 9

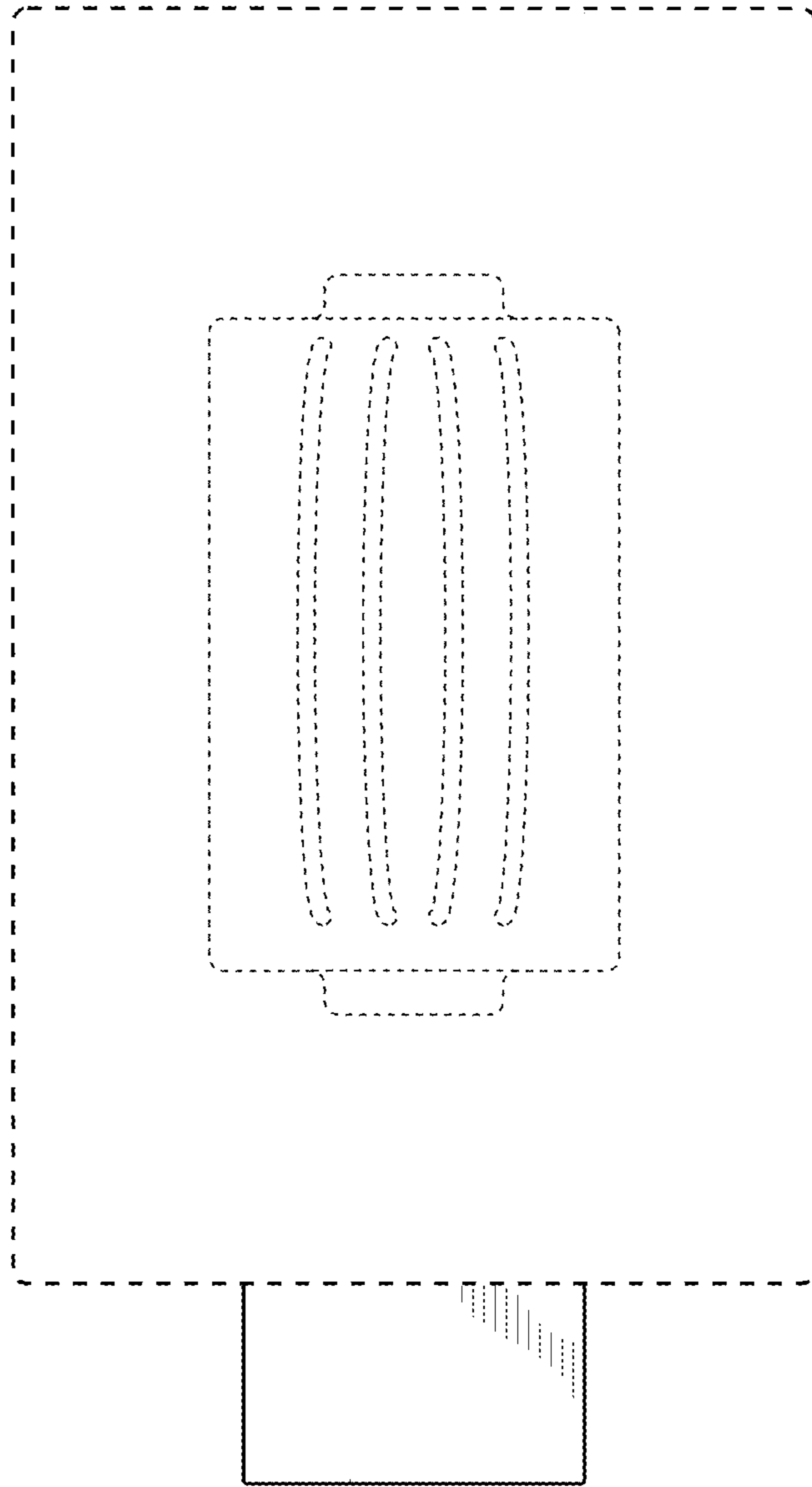


FIG. 10

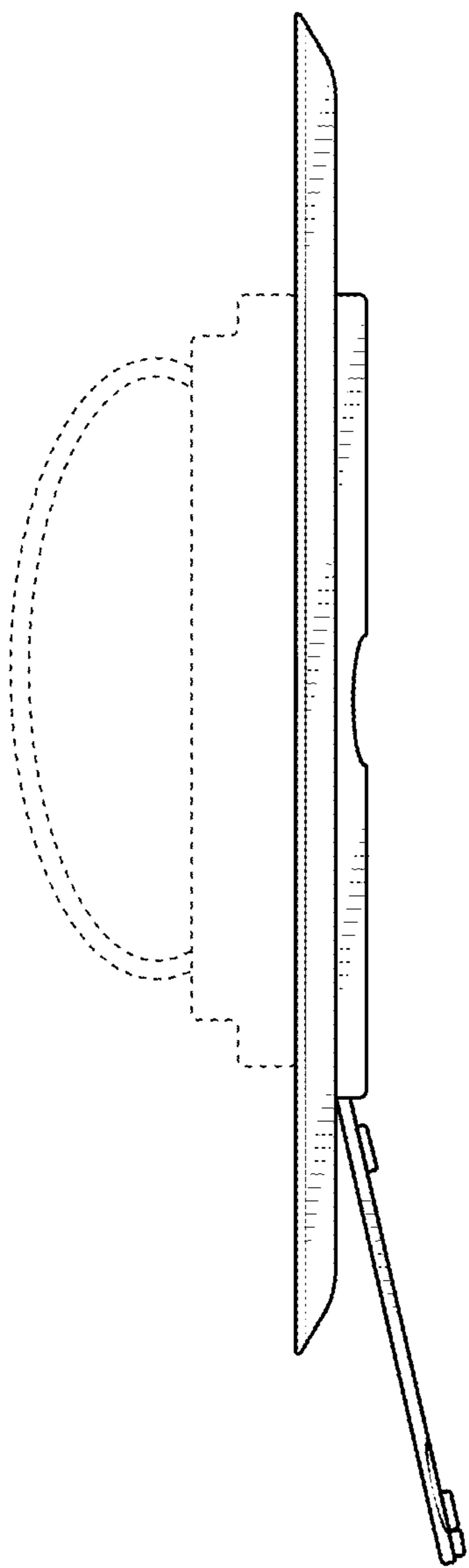


FIG. 11

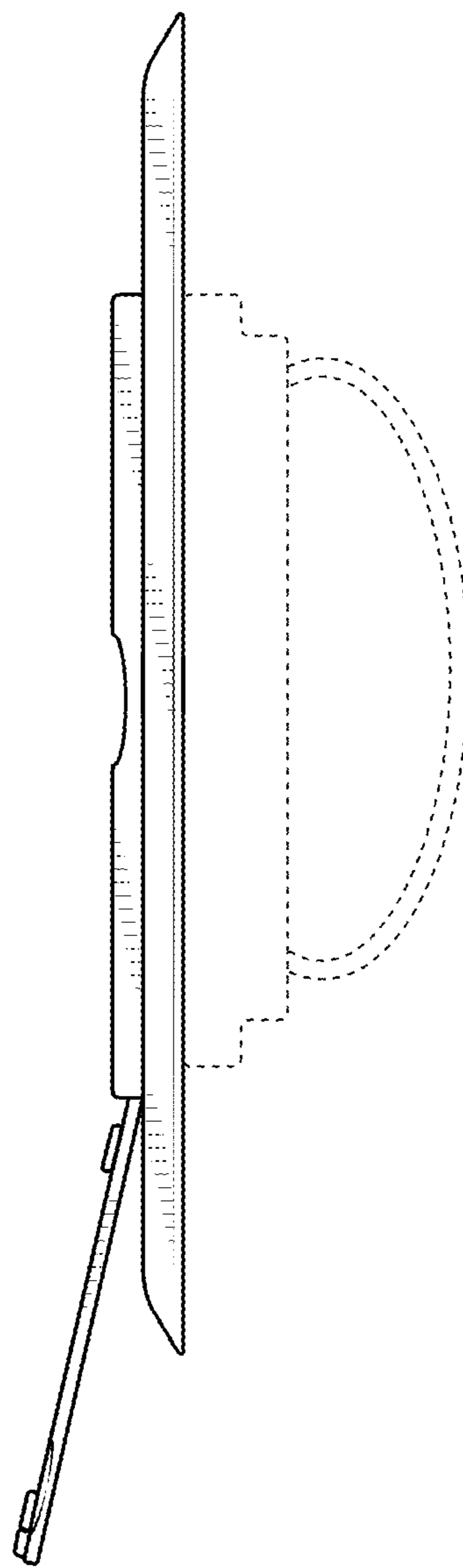


FIG. 12

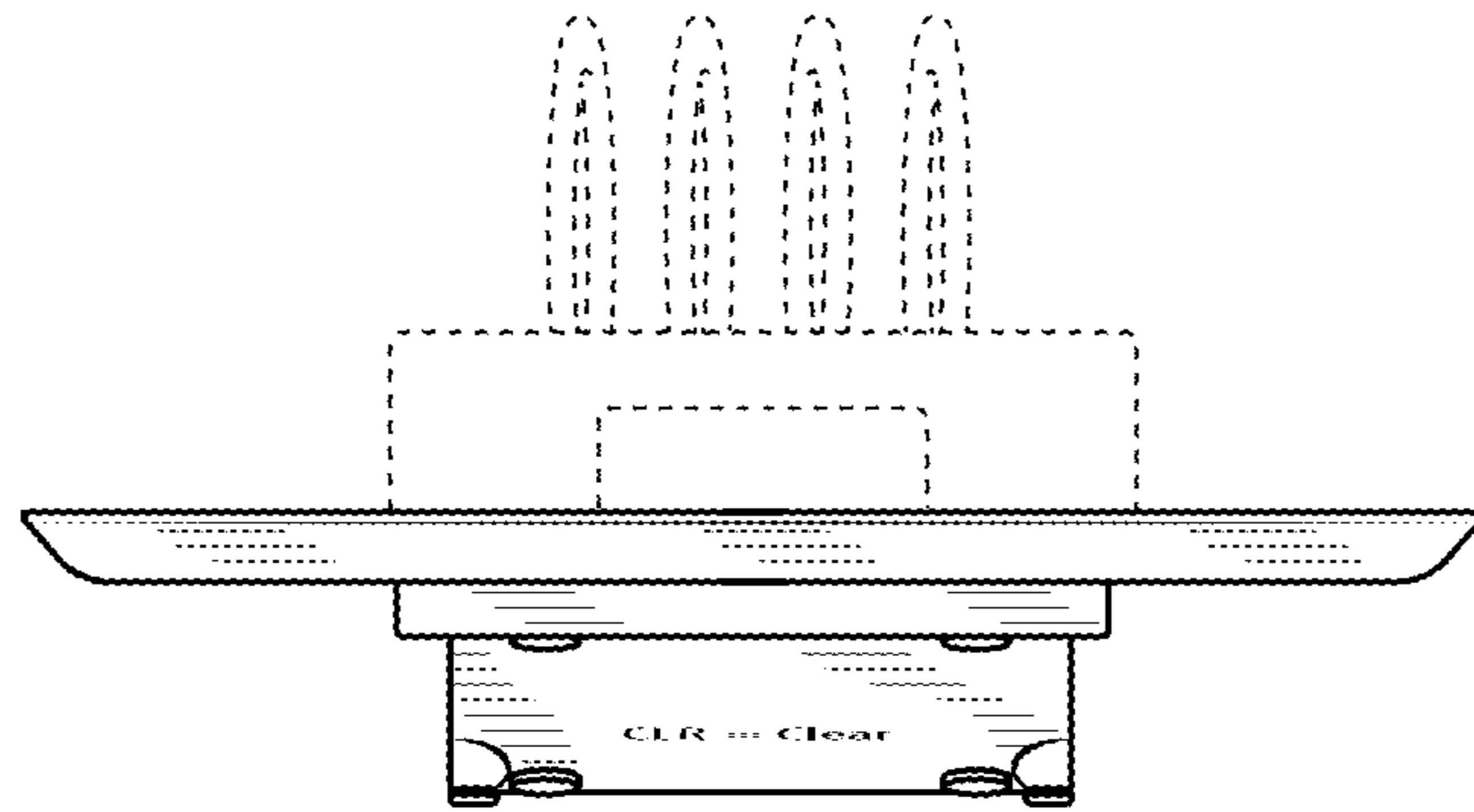


FIG. 13

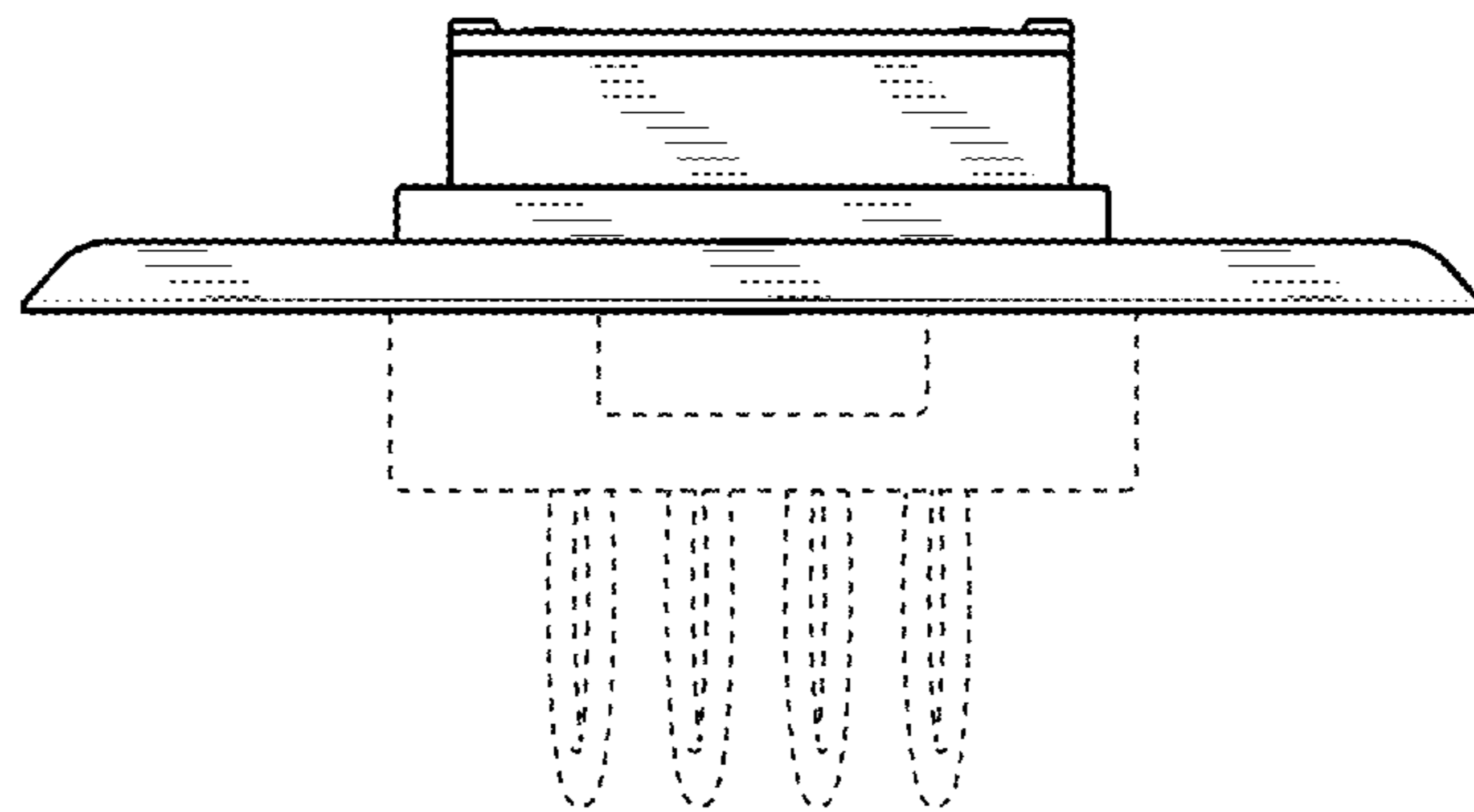


FIG. 14

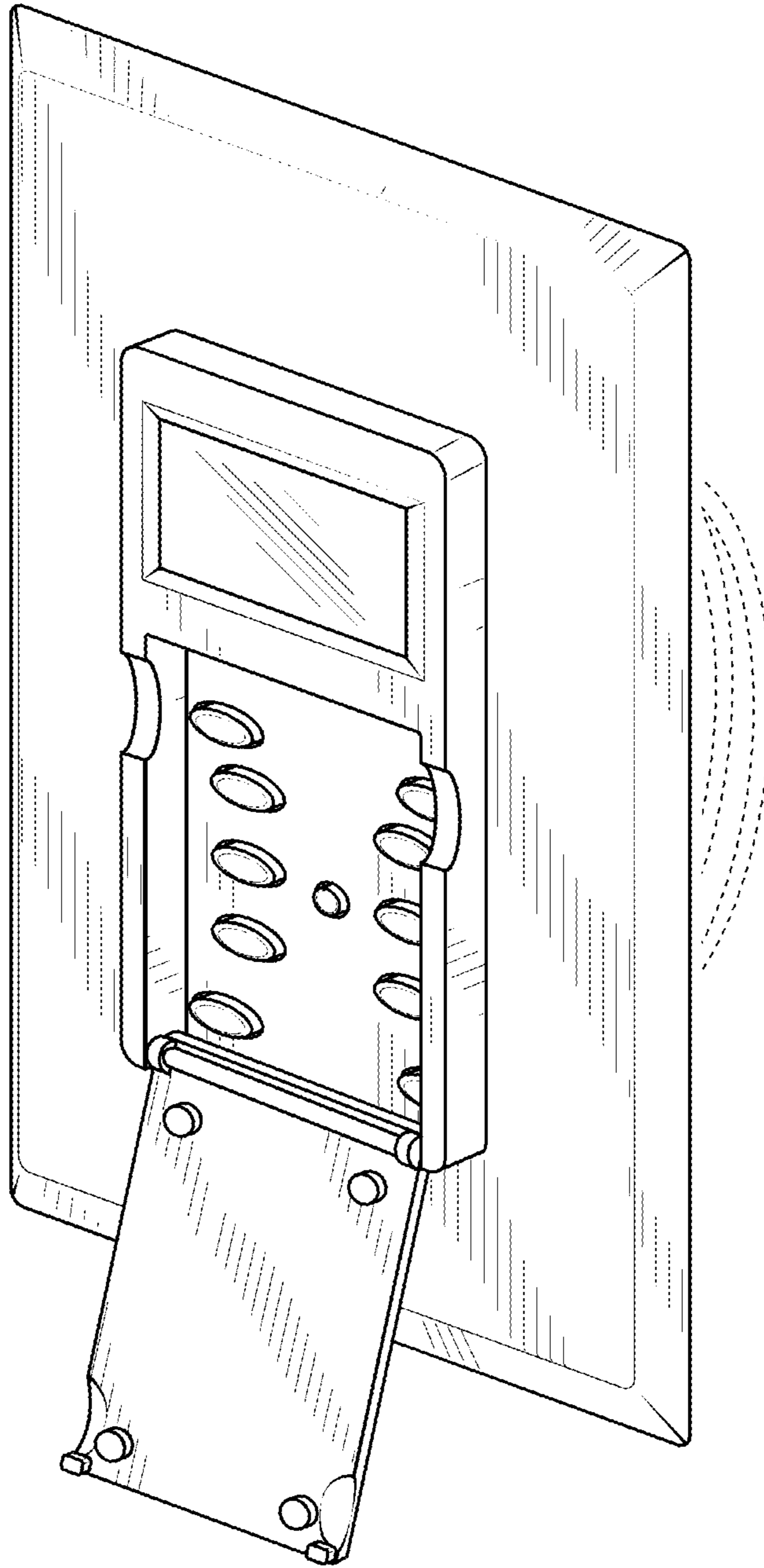


FIG. 15

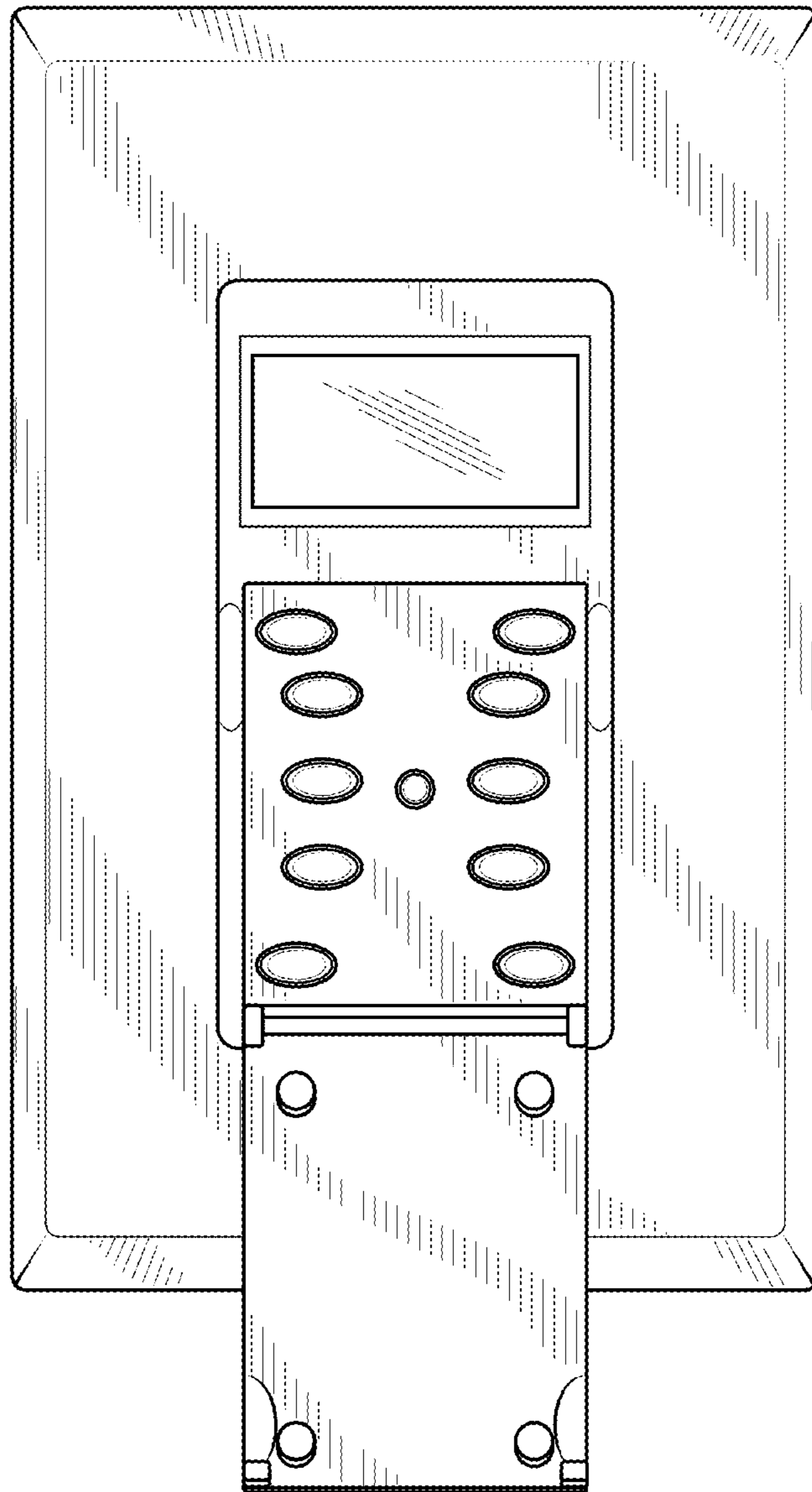


FIG. 16

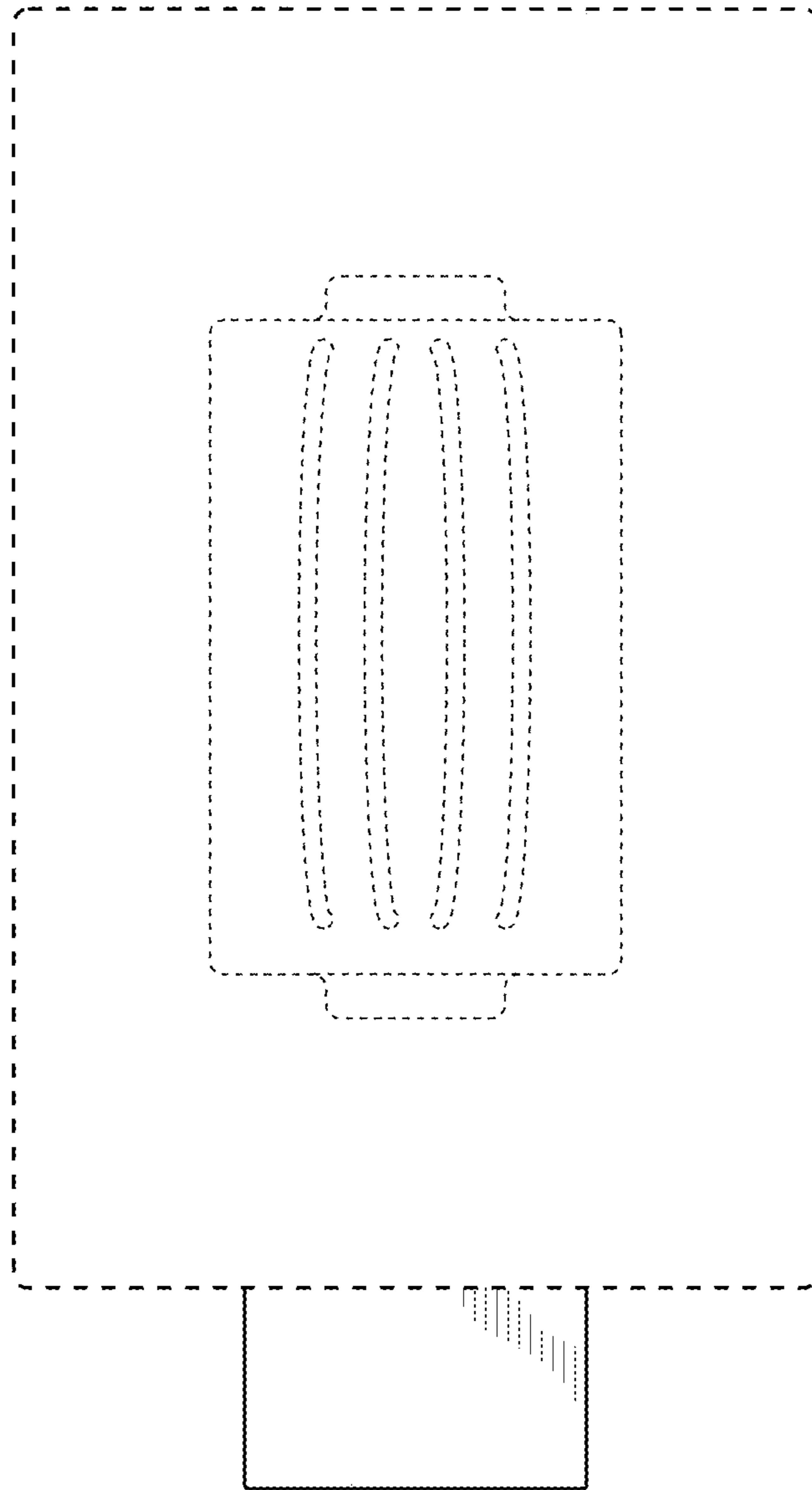


FIG. 17

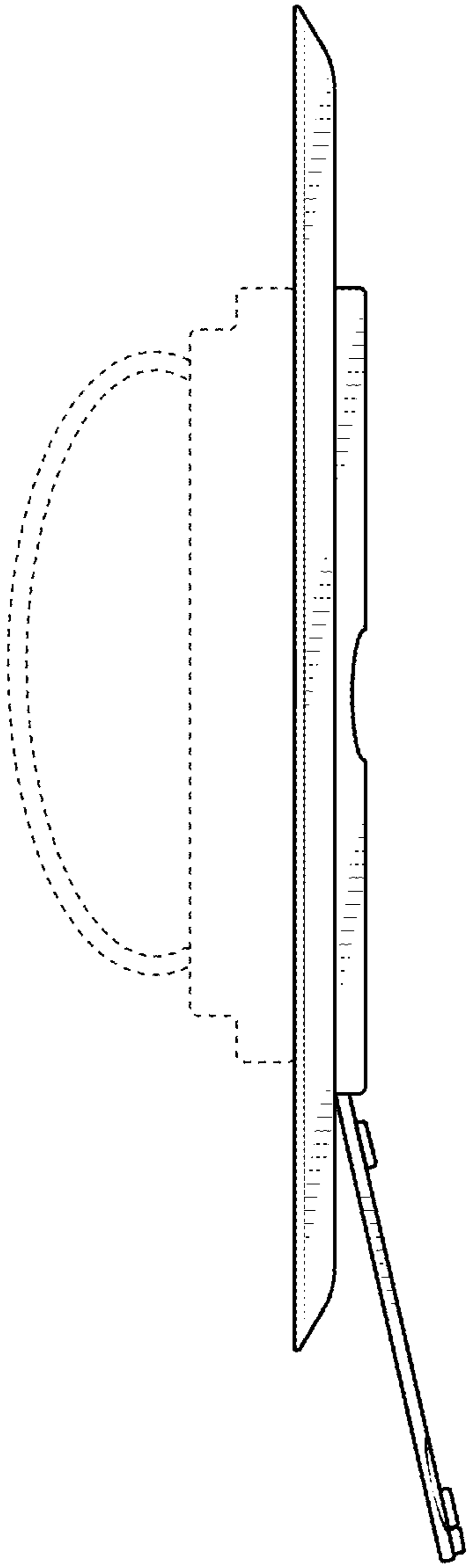


FIG. 18

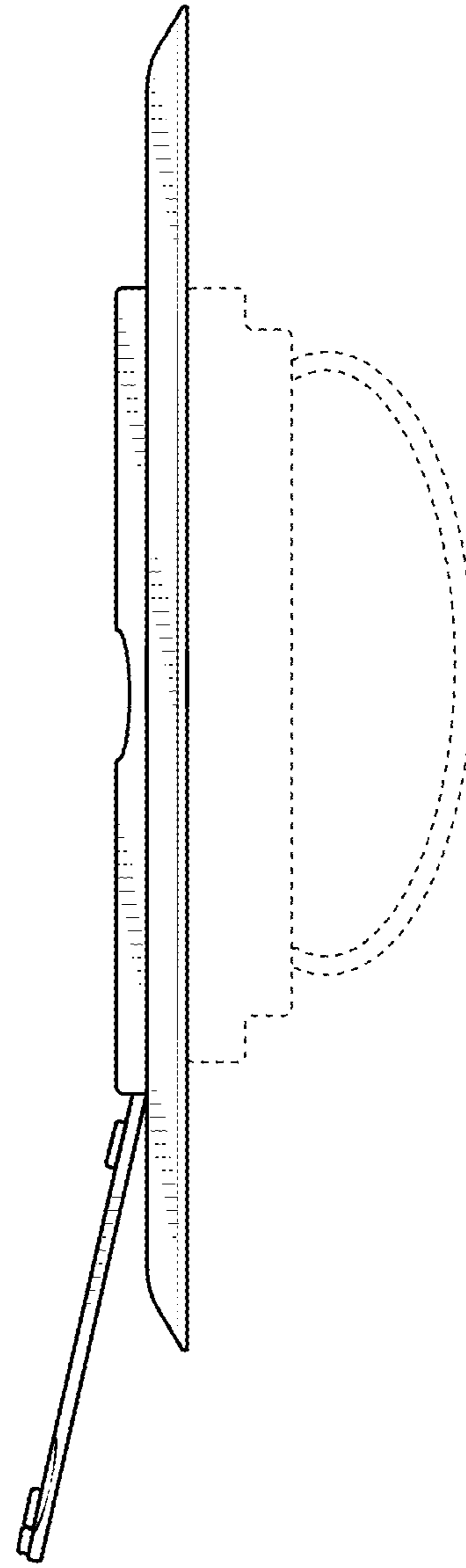


FIG. 19

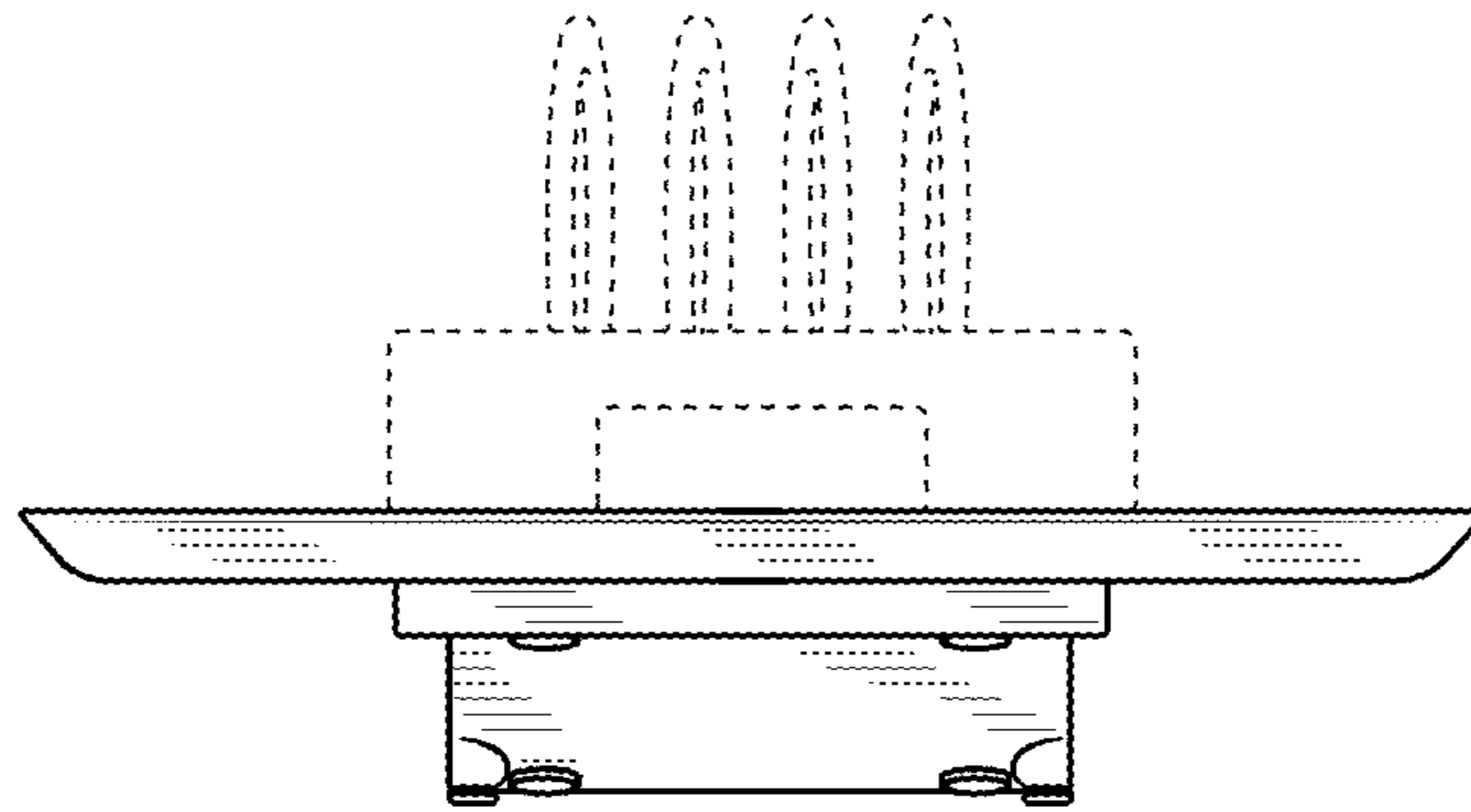


FIG. 20

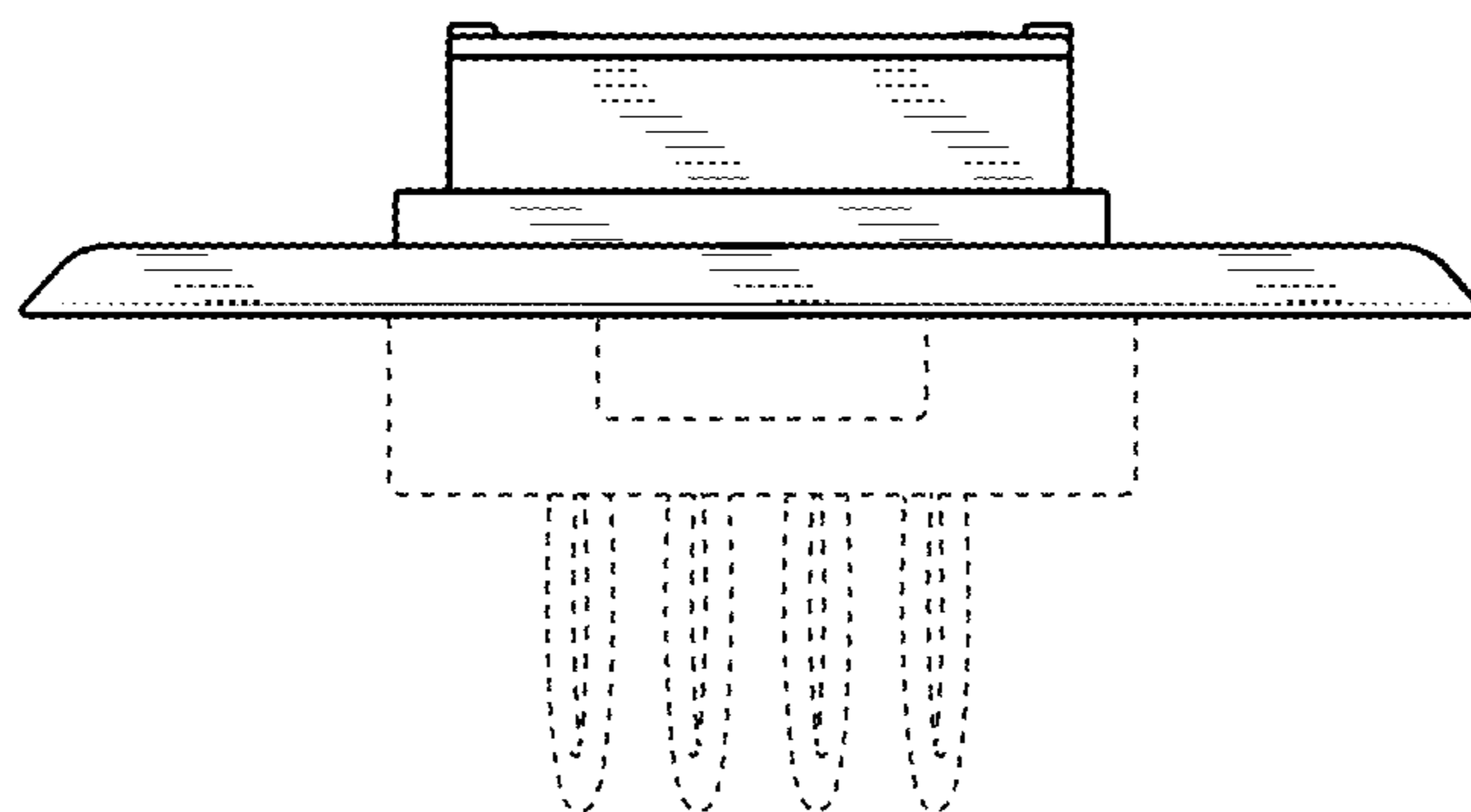


FIG. 21