

US00D755647S

(12) **United States Design Patent**
Mille

(10) **Patent No.:** **US D755,647 S**

(45) **Date of Patent:** **** May 10, 2016**

(54) **WATCH**
(71) Applicant: **Turlen Holding SA**, Soyhières (CH)
(72) Inventor: **Richard Mille**, Moulins (FR)
(73) Assignee: **TURLEN HOLDING SA**, Soyhieres (CH)
(**) Term: **14 Years**
(21) Appl. No.: **29/520,025**
(22) Filed: **Mar. 10, 2015**

3,685,282 A * 8/1972 Kock G04B 29/00
368/220
4,376,996 A * 3/1983 Wuthrich G04C 17/005
368/220
D456,274 S * 4/2002 Mille D10/30
D579,793 S * 11/2008 Hayek D10/39
D650,708 S * 12/2011 Laucella D10/39
D658,514 S * 5/2012 Mille D10/39
D658,515 S * 5/2012 Mille D10/39
D658,516 S * 5/2012 Mille D10/39
D663,220 S * 7/2012 Mouclier D10/1
D664,047 S * 7/2012 Mille D10/39
D673,868 S * 1/2013 Mille D10/39
D679,611 S * 4/2013 Chastaingt D10/36
D689,378 S * 9/2013 Mille D10/34
D692,323 S * 10/2013 Mille D10/39
2008/0013409 A1 * 1/2008 Bland G04B 45/0038
368/223

(30) **Foreign Application Priority Data**

Dec. 19, 2014 (WO) DM/085 218
(51) **LOC (10) Cl.** **10-02**
(52) **U.S. Cl.**
USPC **D10/39; D10/36; D10/125**
(58) **Field of Classification Search**
USPC D10/30-39, 1-29, 122-132
CPC G04B 15/00; G04B 17/00; G04B 17/02;
G04B 17/005; G04B 17/285; G04B 37/00;
G04B 37/0008; G04B 37/0058; G04B 45/00;
G04B 45/0038; G04B 45/0069; G04B
45/0076; G04B 45/02; G04B 29/00
See application file for complete search history.

(56) **References Cited**

U.S. PATENT DOCUMENTS
1,905,682 A * 4/1933 Carlson G04B 37/1486
368/281
D145,614 S * 9/1946 Deutsch D10/36
D162,488 S * 3/1951 Spier D10/9
D164,602 S * 9/1951 Punzak D10/7
3,365,877 A * 1/1968 Altman A44C 17/02
224/170

* cited by examiner

Primary Examiner — Martie K Holtje

(74) *Attorney, Agent, or Firm* — Donald J. Ranft; Kristen A. Mogavero; Collen IP

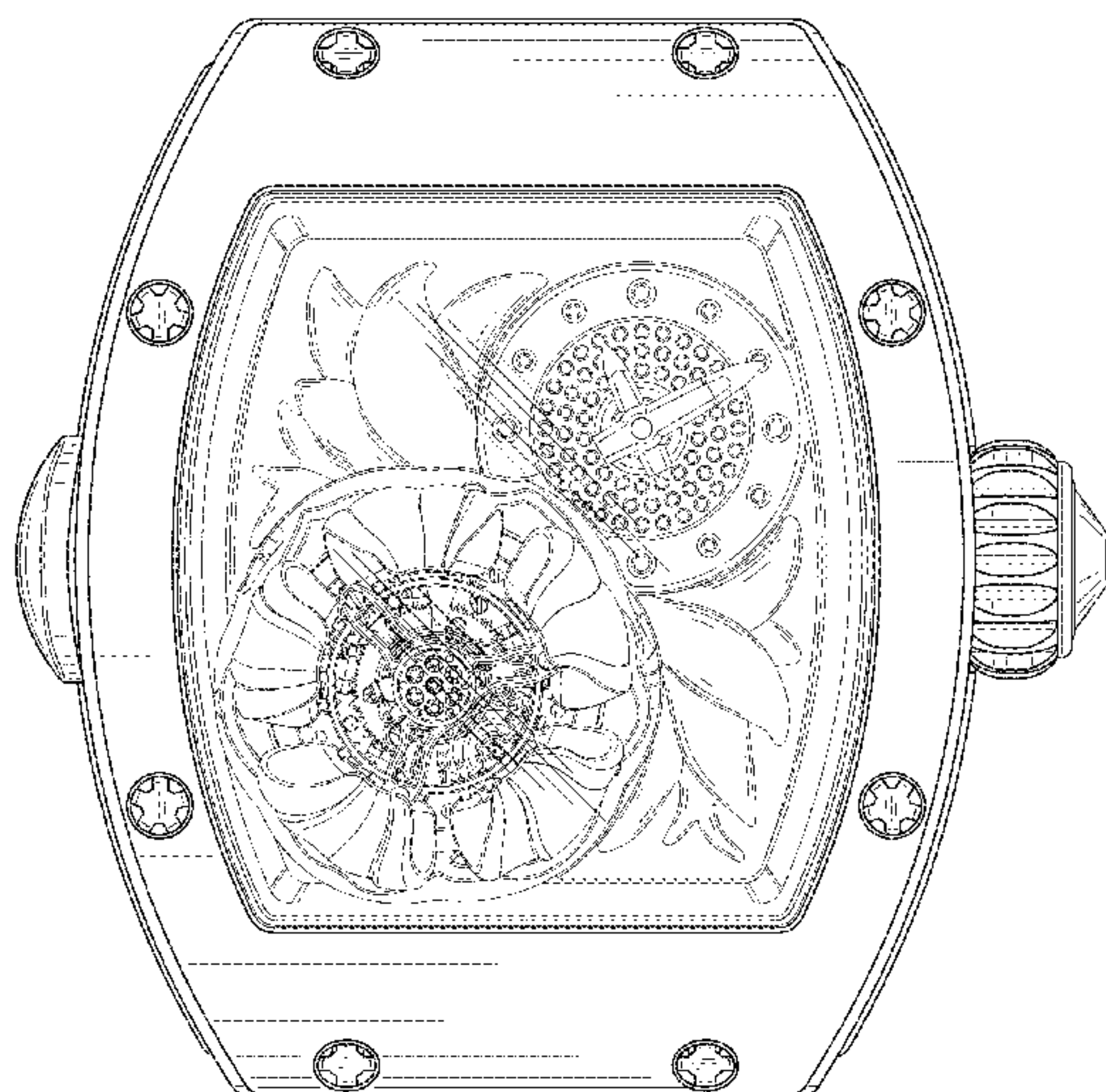
(57) **CLAIM**

The ornamental design for a watch, as shown.

DESCRIPTION

FIG. 1 is a front right perspective view of a watch showing my new design;
FIG. 2 is a rear left perspective view thereof;
FIG. 3 is a front view thereof;
FIG. 4 is a rear view thereof;
FIG. 5 is a left side view thereof;
FIG. 6 is a right side view thereof;
FIG. 7 is a top view thereof;
FIG. 8 is a bottom view thereof;
FIG. 9 is a front left perspective view thereof; and,
FIG. 10 is a rear left perspective view thereof.

1 Claim, 8 Drawing Sheets



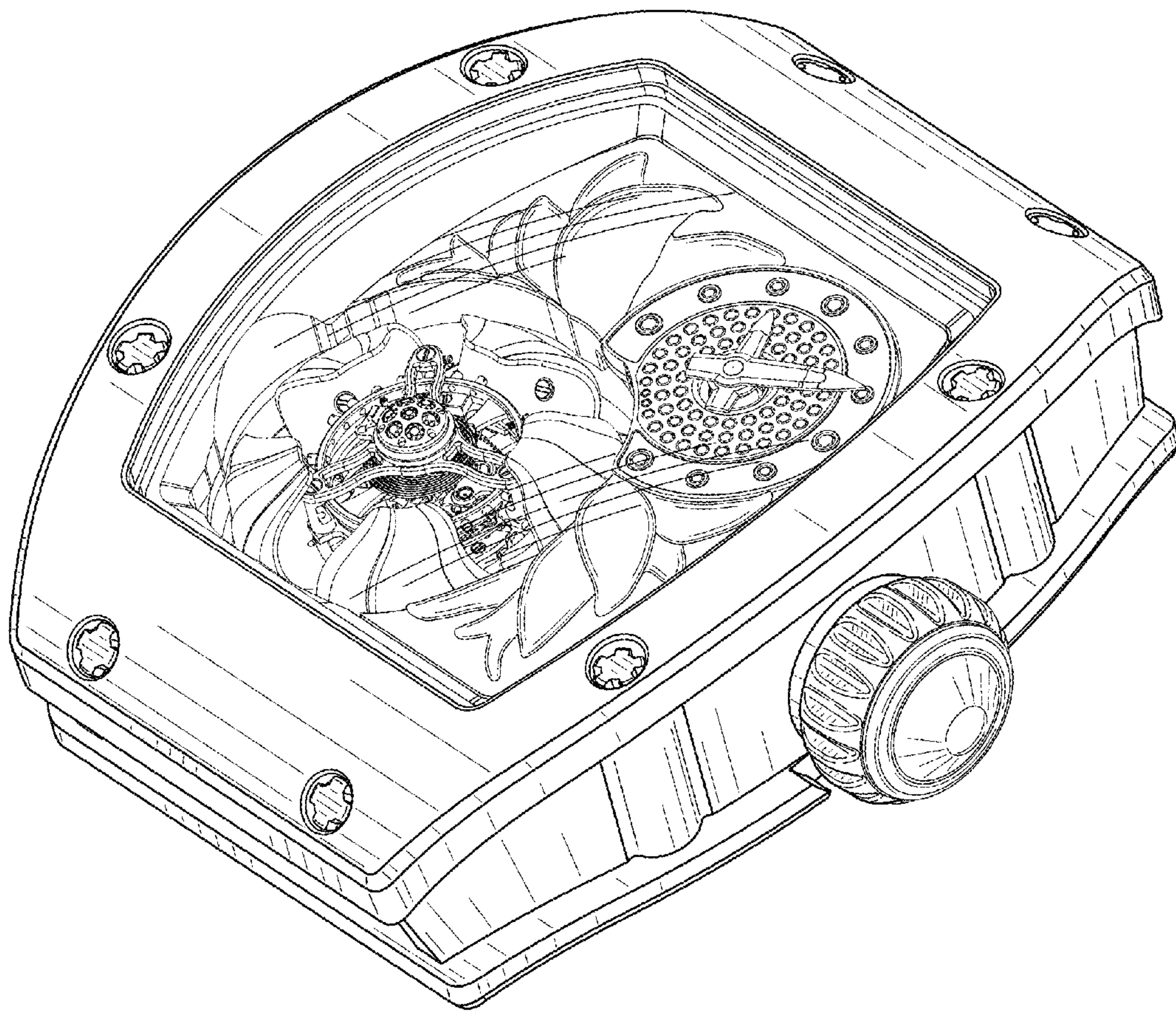


FIG. 1



FIG. 2



FIG. 3



FIG. 4

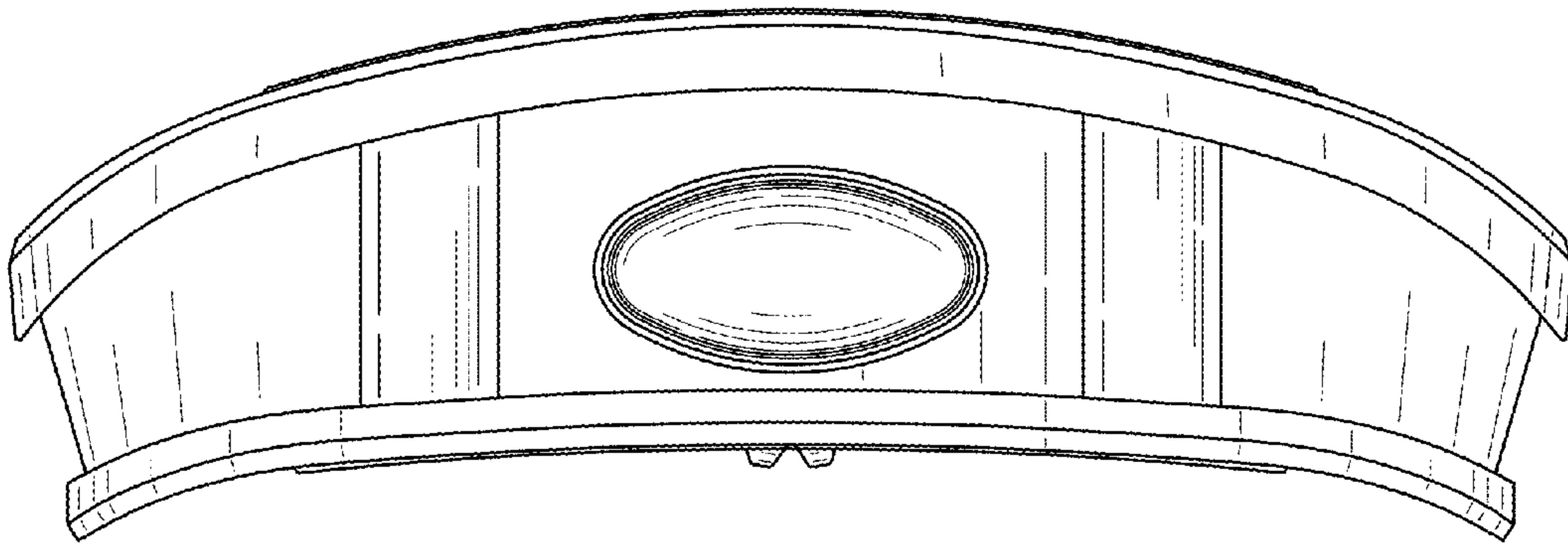


FIG. 5

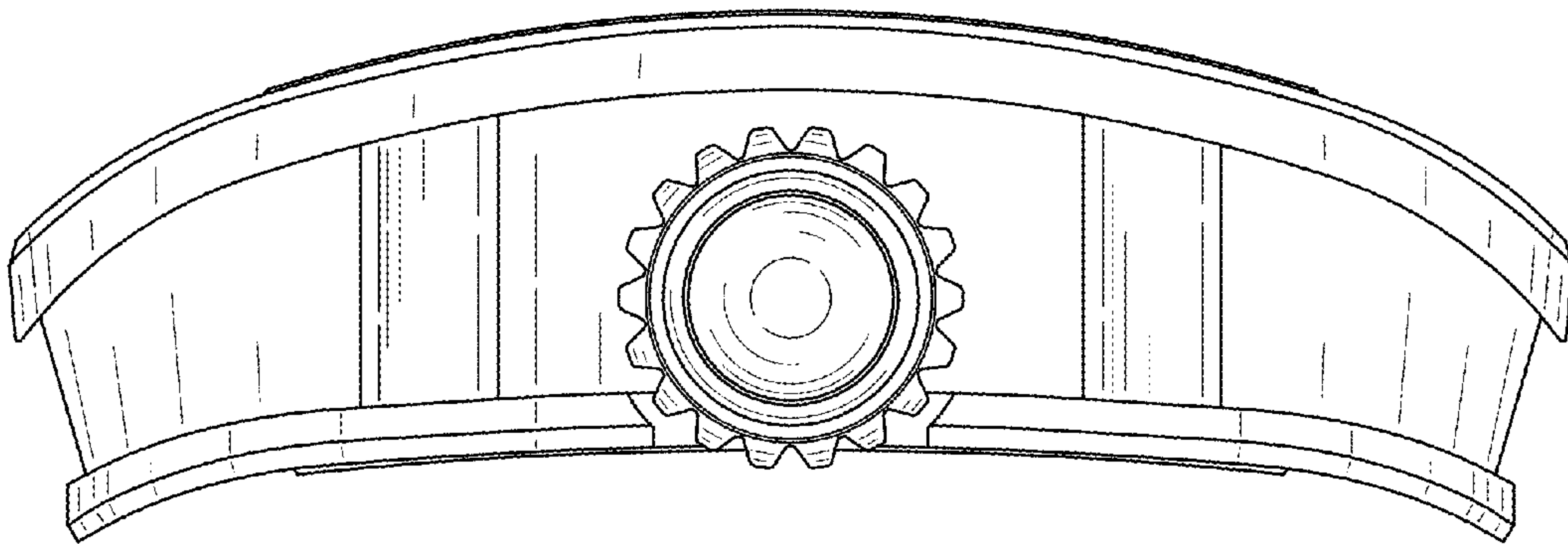


FIG. 6

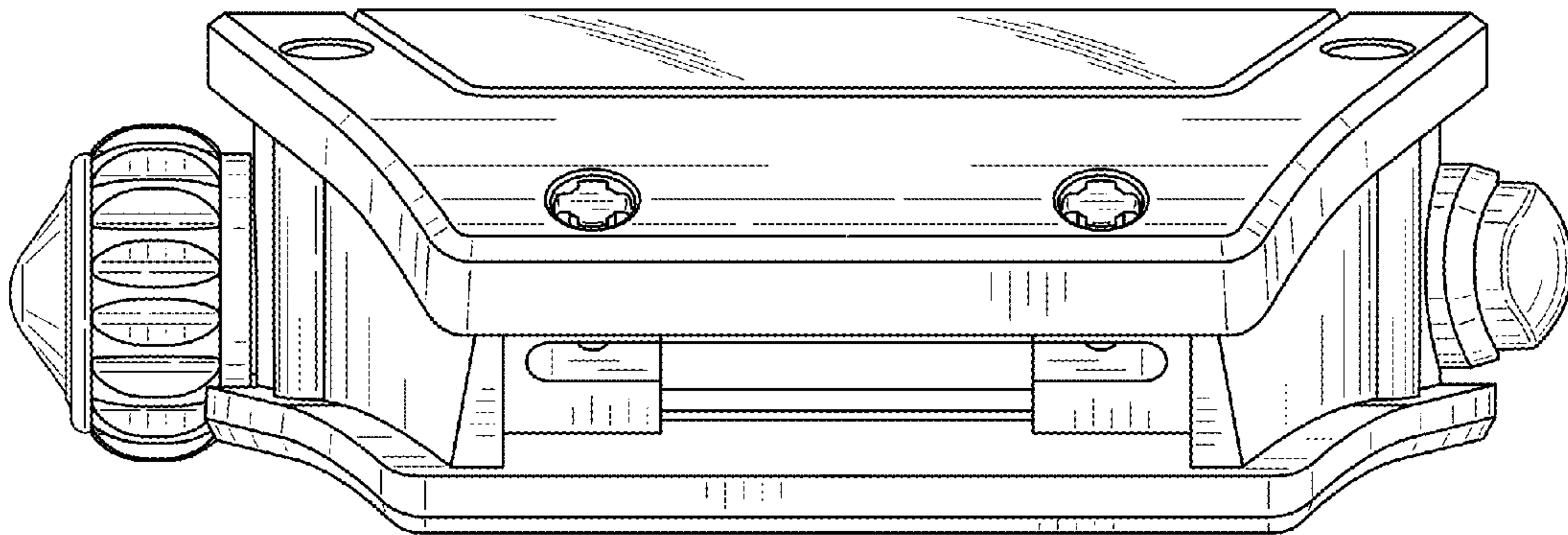


FIG. 7

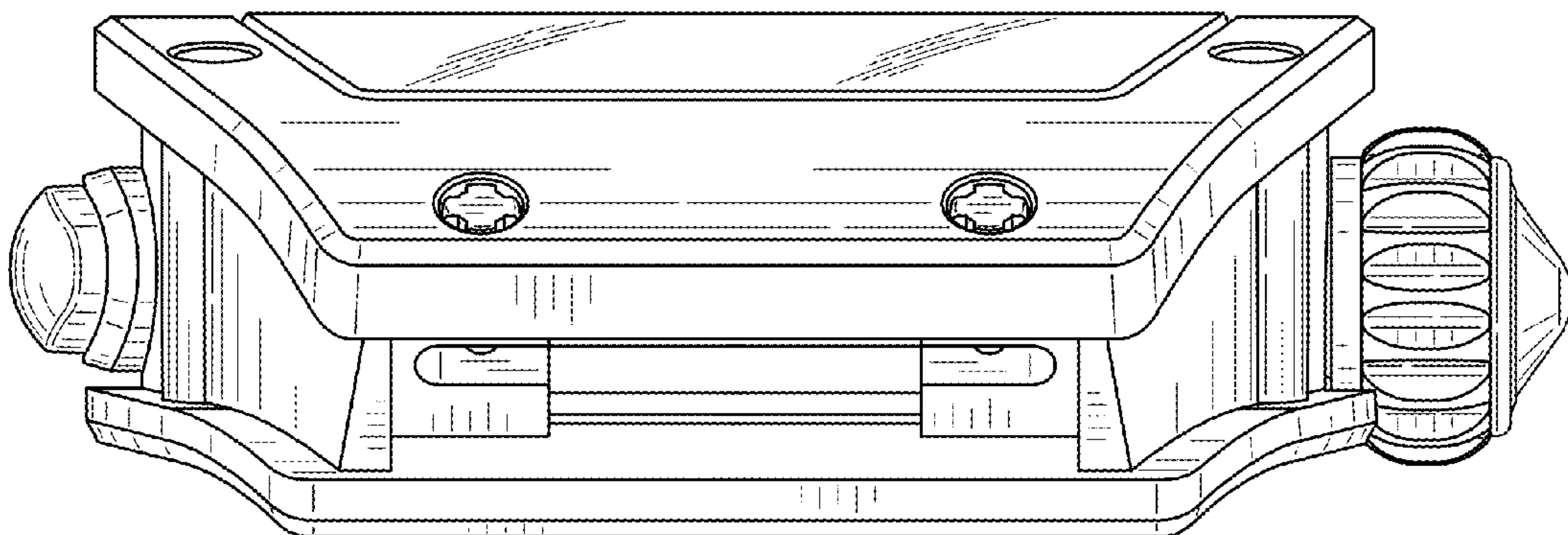


FIG. 8

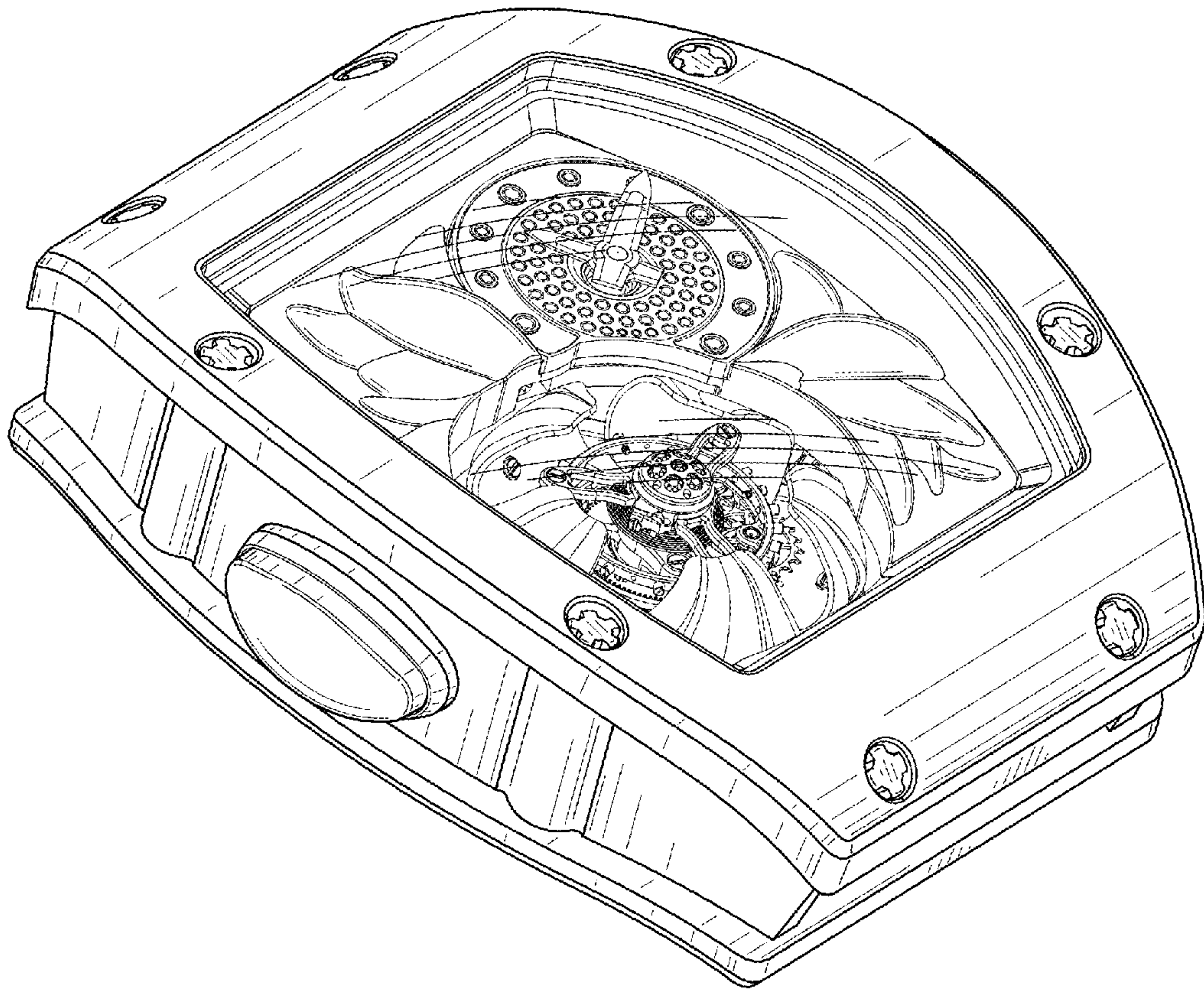


FIG. 9



FIG. 10