



US00D755646S

(12) **United States Design Patent**  
**Mille**

(10) **Patent No.:** **US D755,646 S**  
(45) **Date of Patent:** **\*\* May 10, 2016**

(54) **WATCH**  
(71) Applicant: **Turlen Holding SA**, Soyhières (CH)  
(72) Inventor: **Richard Mille**, Moulins (FR)  
(73) Assignee: **TURLEN HOLDING SA**, Soyhieres (CH)  
(\*\*) Term: **14 Years**  
(21) Appl. No.: **29/520,019**  
(22) Filed: **Mar. 10, 2015**

4,376,996 A \* 3/1983 Wuthrich ..... G04C 17/005  
368/220  
4,534,660 A \* 8/1985 Laesser ..... G04B 29/02  
368/220  
D456,274 S \* 4/2002 Mille ..... D10/30  
7,794,137 B2 \* 9/2010 Golay ..... G04B 17/285  
368/127  
D636,692 S \* 4/2011 Pospieszny ..... D10/129  
D650,708 S \* 12/2011 Laucella ..... D10/39  
D658,514 S \* 5/2012 Mille ..... D10/39  
D658,516 S \* 5/2012 Mille ..... D10/39  
D664,047 S \* 7/2012 Mille ..... D10/39  
D673,868 S \* 1/2013 Mille ..... D10/39  
D694,657 S \* 12/2013 Mille ..... D10/39  
D710,216 S \* 8/2014 Mille ..... D10/38  
D713,743 S \* 9/2014 Mille ..... D10/39  
2008/0013409 A1 \* 1/2008 Bland ..... G04B 45/0038  
368/223

(30) **Foreign Application Priority Data**

Dec. 18, 2014 (WO) ..... DM/085 210  
(51) **LOC (10) Cl.** ..... **10-02**  
(52) **U.S. Cl.**  
USPC ..... **D10/39; D10/30; D10/125**  
(58) **Field of Classification Search**  
USPC ..... D10/30-39, 1-29, 122-132  
CPC ..... G04B 15/00; G04B 15/14; G04B 17/06;  
G04B 17/285; G04B 19/00; G04B 19/04;  
G04B 19/06; G04B 19/065; G04B 19/10;  
G04B 37/00; G04B 37/0008; G04B 37/0058;  
G04B 37/1486; G04B 45/00; G04B 45/0038;  
G04B 45/02; G04B 17/08; G04G 17/00  
See application file for complete search history.

\* cited by examiner

*Primary Examiner* — Martie K Holtje  
(74) *Attorney, Agent, or Firm* — Donald J. Ranft; Kristen A. Mogavero; Collen IP

(57) **CLAIM**  
The ornamental design for a watch, as shown.

**DESCRIPTION**

FIG. 1 is a front right perspective view of a watch showing my new design;  
FIG. 2 is a rear left perspective view thereof;  
FIG. 3 is a front view thereof;  
FIG. 4 is a rear view thereof;  
FIG. 5 is a left side view thereof;  
FIG. 6 is a right side view thereof;  
FIG. 7 is a top view thereof;  
FIG. 8 is a bottom view thereof;  
FIG. 9 is a front left perspective view thereof; and,  
FIG. 10 is a rear right perspective view thereof.

(56) **References Cited**

**U.S. PATENT DOCUMENTS**

1,905,682 A \* 4/1933 Carlson ..... G04B 37/1486  
368/281  
3,685,282 A \* 8/1972 Kock ..... G04B 29/00  
368/131

**1 Claim, 8 Drawing Sheets**



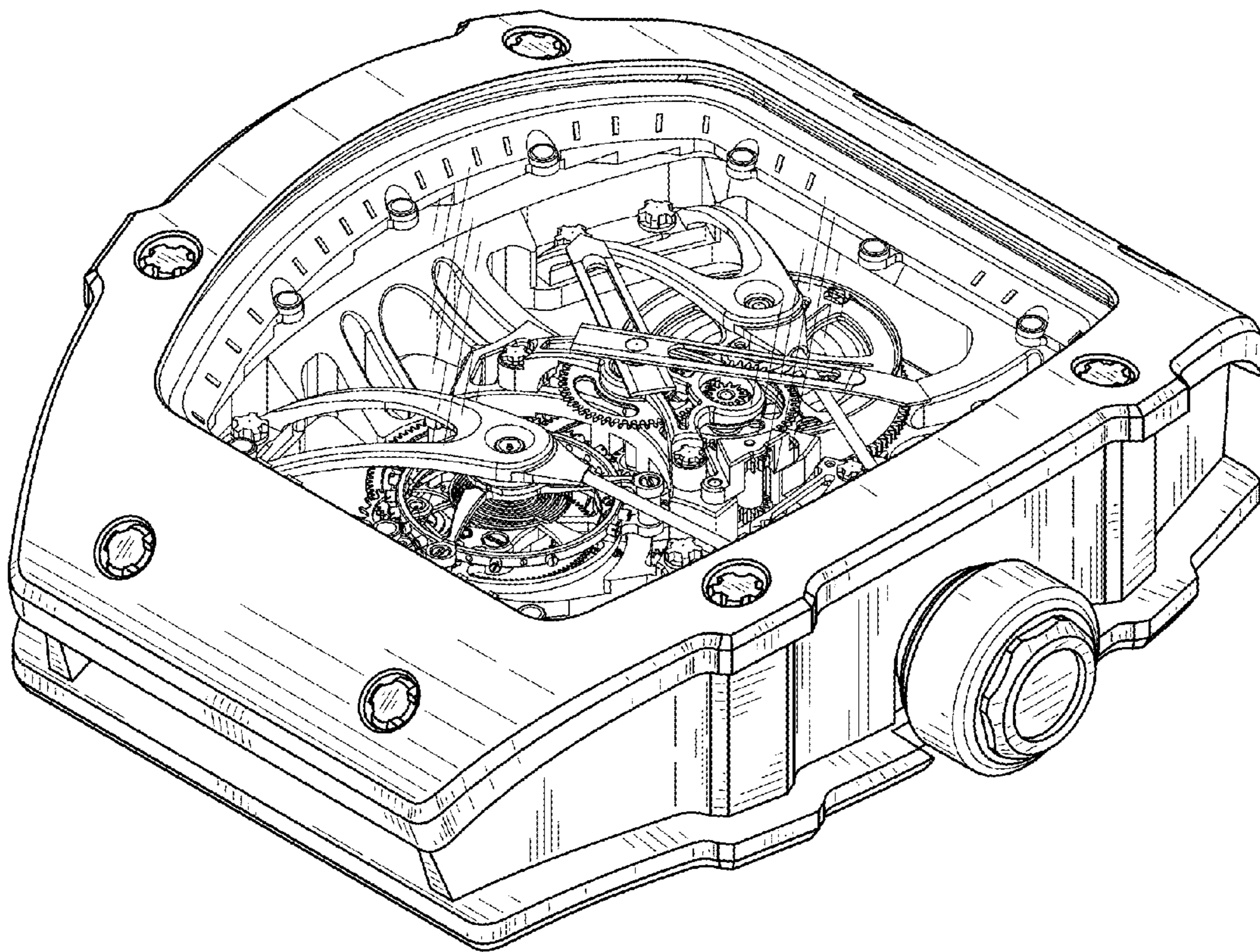


FIG. 1



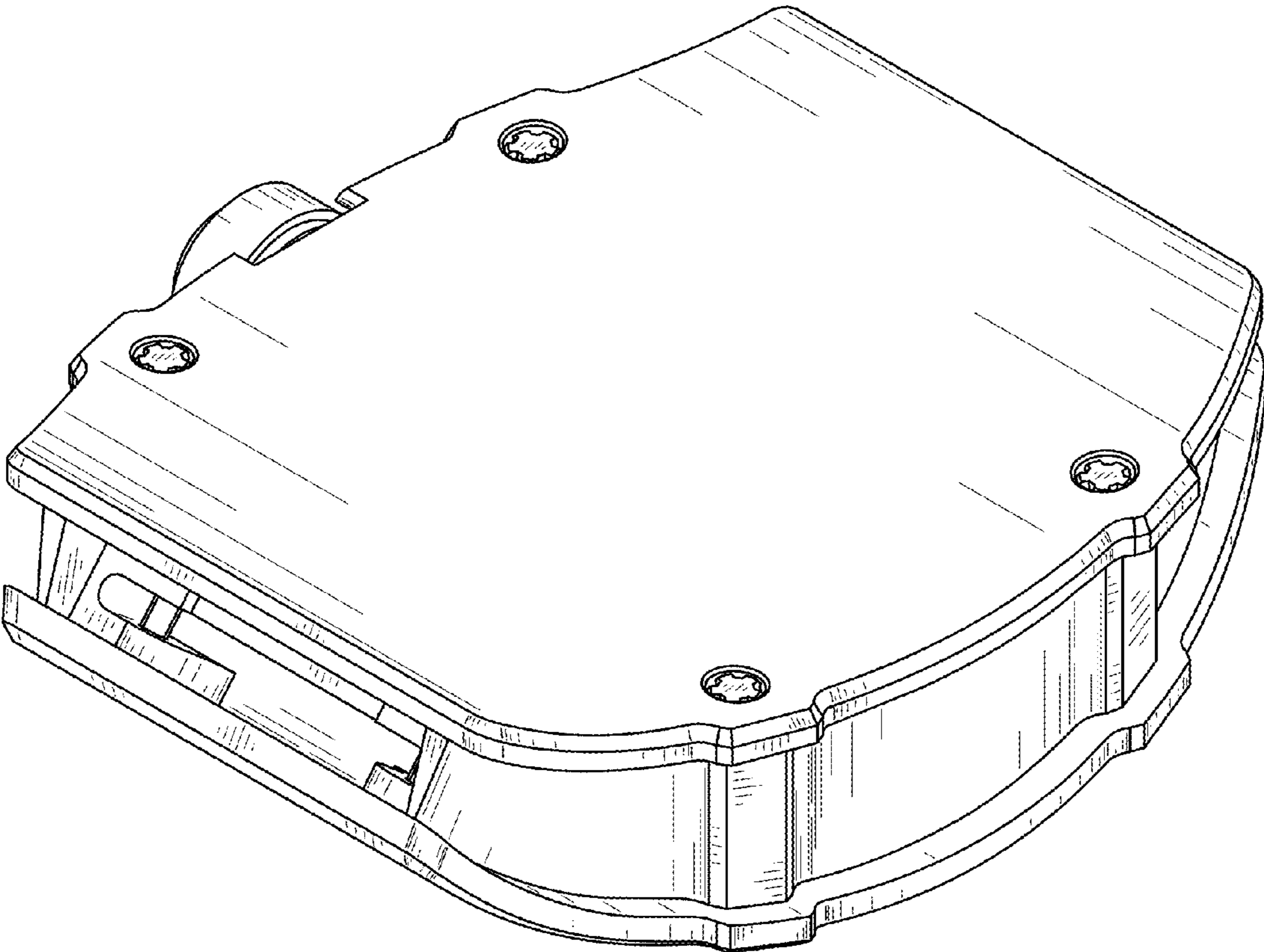


FIG. 2



FIG. 3

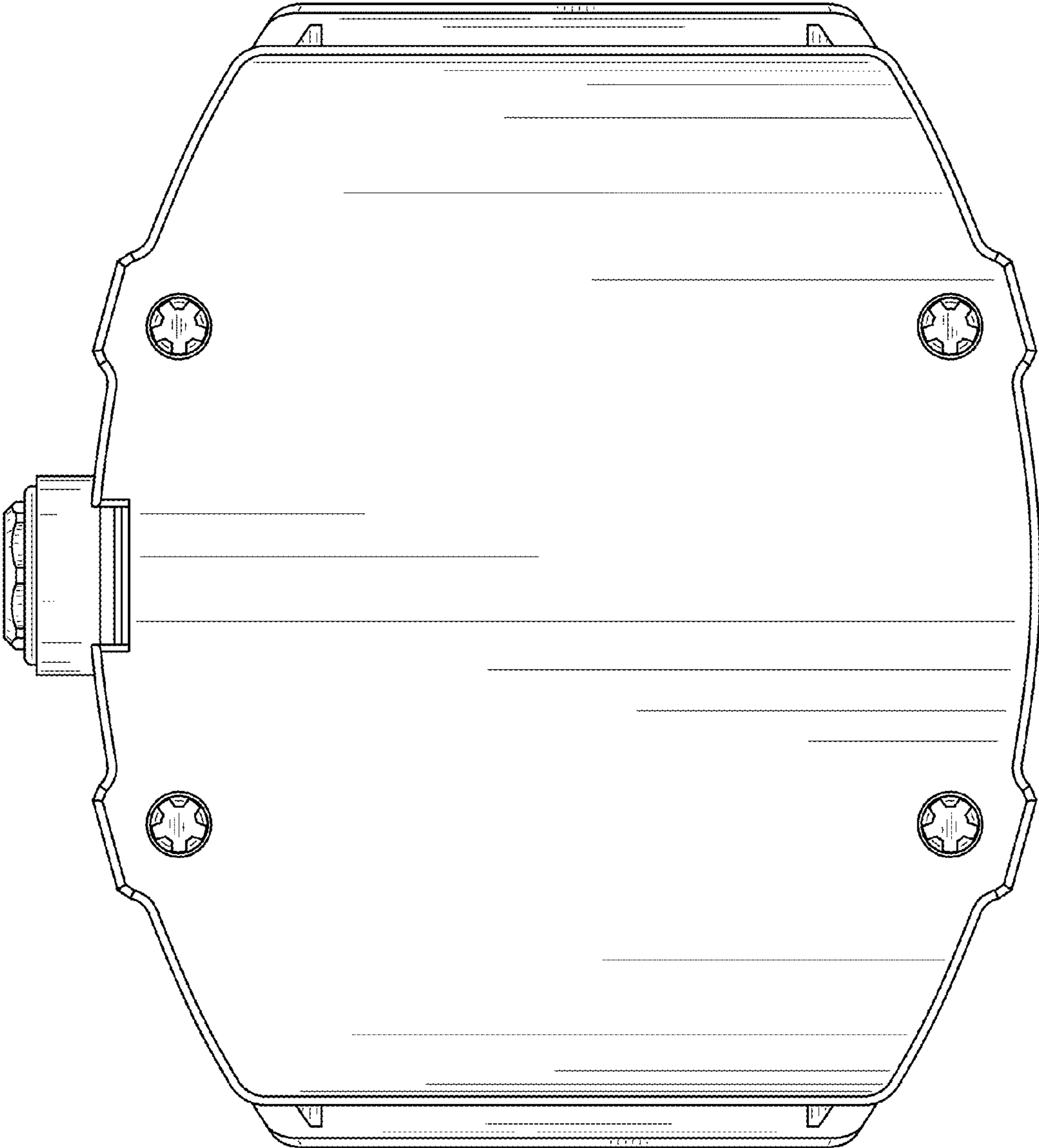


FIG. 4

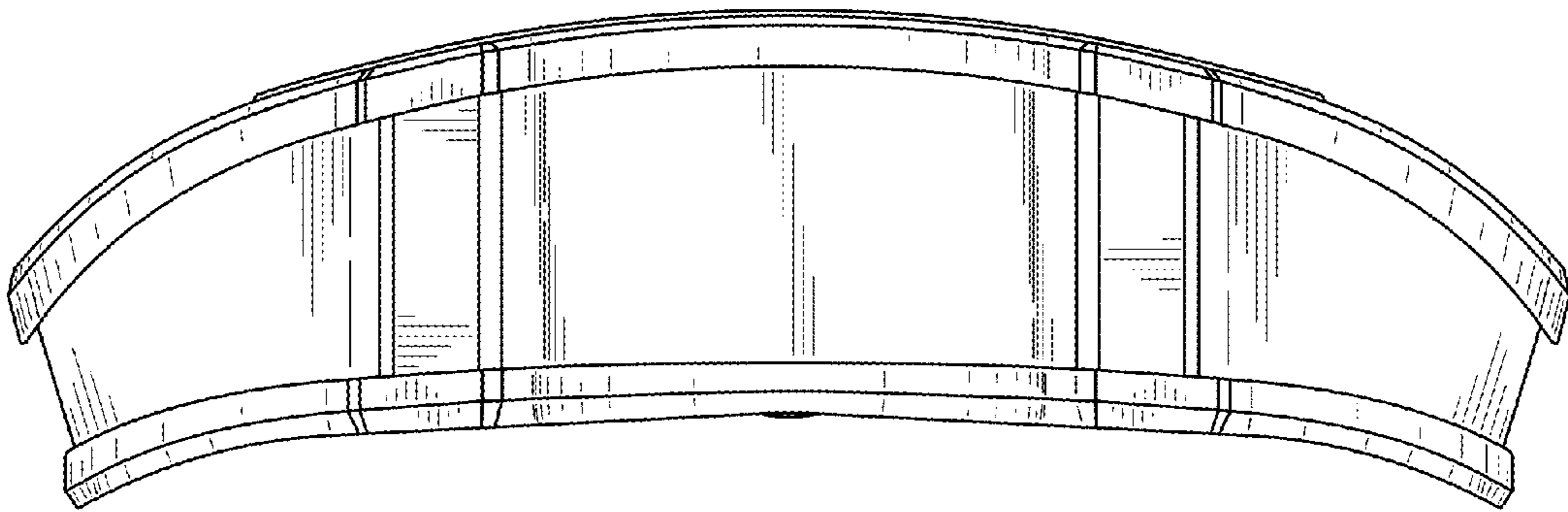


FIG. 5

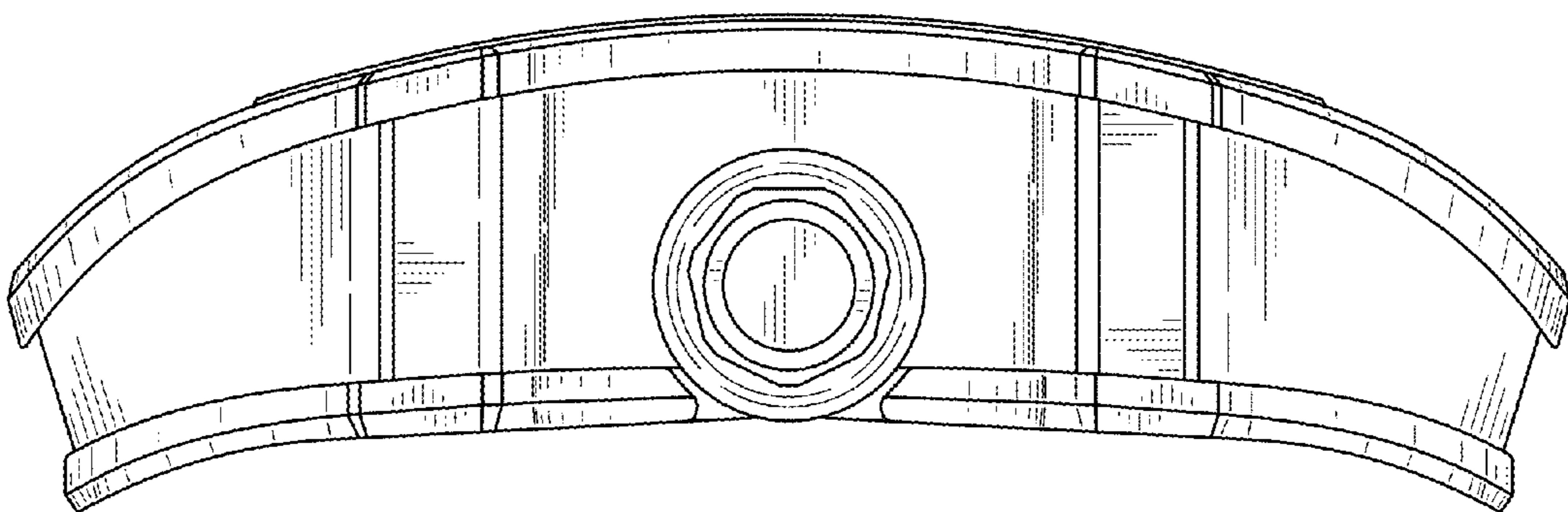


FIG. 6



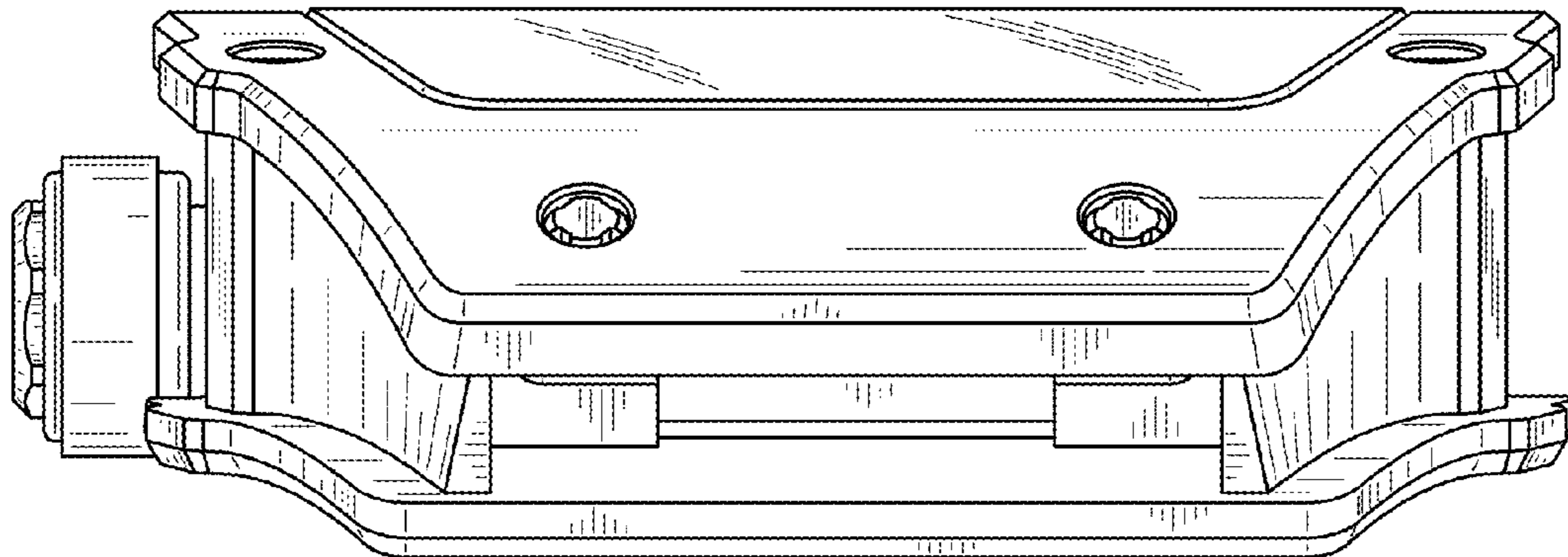


FIG. 7

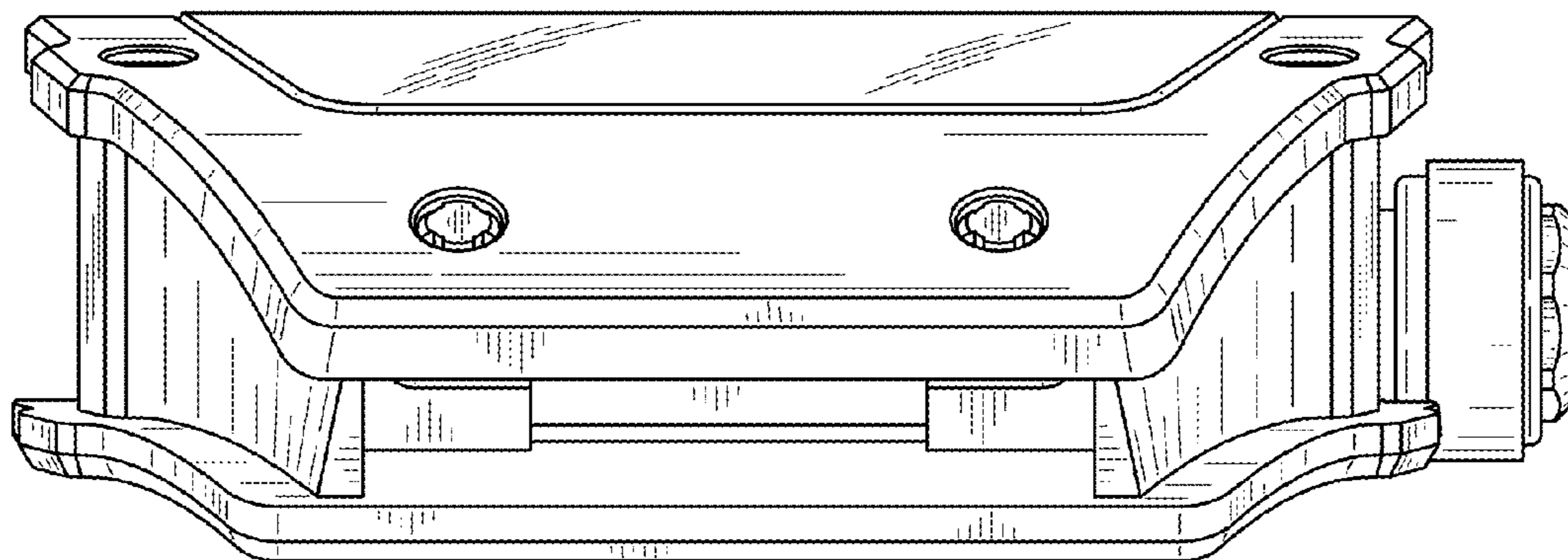


FIG. 8

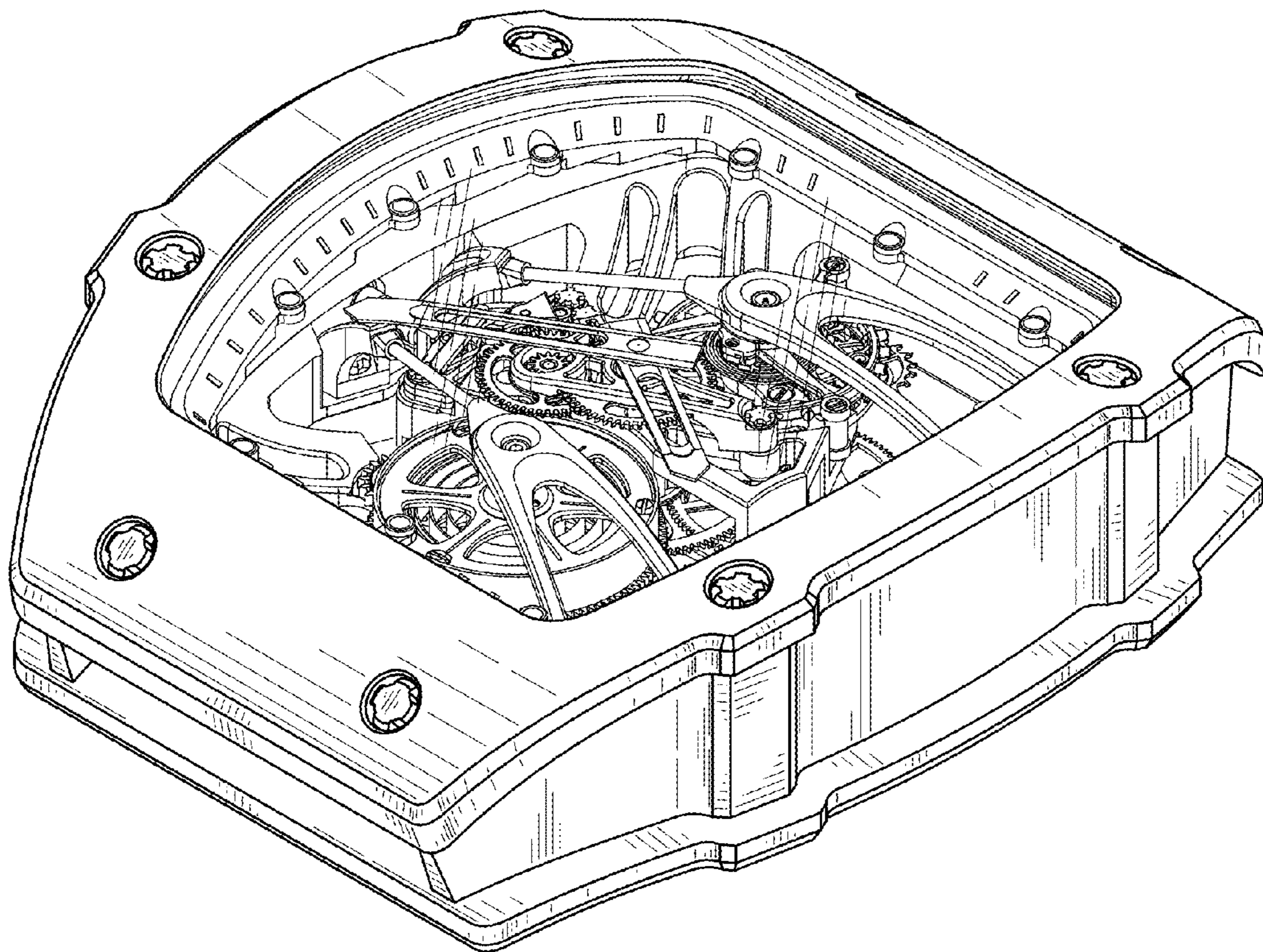


FIG. 9



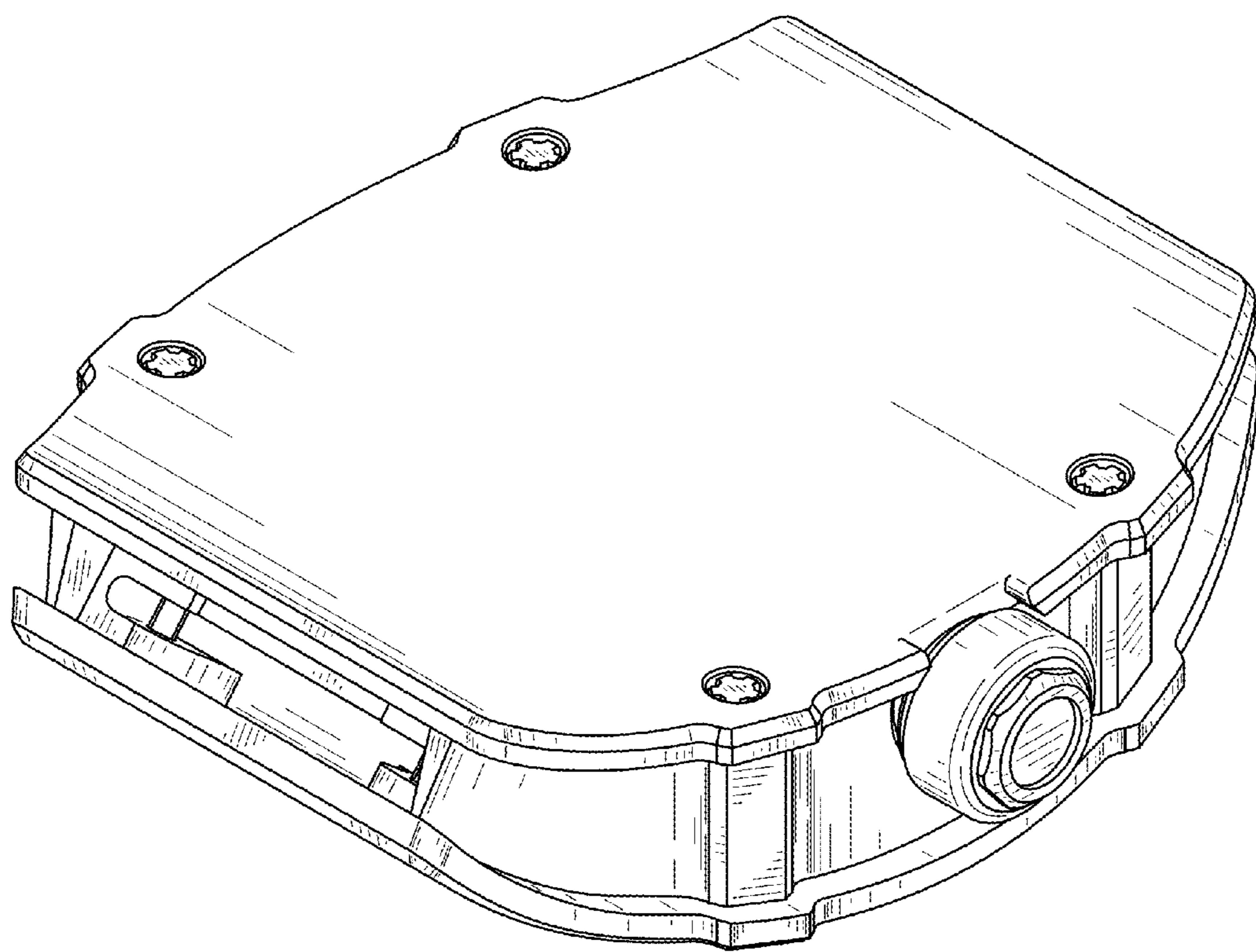


FIG. 10