



US00D755645S

(12) **United States Design Patent**  
**Belamich**

(10) **Patent No.:** **US D755,645 S**

(45) **Date of Patent:** **\*\* May 10, 2016**

(54) **WATCH**

(71) Applicant: **Bell & Ross B.V.**, Zoetermeer (NL)

(72) Inventor: **Bruno Belamich**, Paris (FR)

(73) Assignee: **BELL & ROSS B.V.**, Zoetermeer (NL)

(\*\*) Term: **14 Years**

(21) Appl. No.: **29/497,423**

(22) Filed: **Jul. 24, 2014**

(30) **Foreign Application Priority Data**

Feb. 12, 2014 (EM) ..... 001 402 861-0001

Feb. 12, 2014 (EM) ..... 001 402 861-0002

Feb. 12, 2014 (EM) ..... 001 402 861-0003

(51) **LOC (10) Cl.** ..... **10-02**

(52) **U.S. Cl.**

USPC ..... **D10/39; D10/30; D10/125**

(58) **Field of Classification Search**

USPC ..... D10/30-39, 1-29, 122-132

CPC ..... G04B 3/00; G04B 3/04; G04B 19/00;

G04B 19/046; G04B 19/10; G04B 19/24;

G04B 37/00; G04B 37/0008; G04B 37/057;

G04B 37/086; G04B 45/00; G04B 45/0069;

G04B 45/0076

See application file for complete search history.

(56) **References Cited**

**U.S. PATENT DOCUMENTS**

2,232,300 A \* 2/1941 Arbey ..... 368/228

3,395,531 A \* 8/1968 Caprara ..... 368/291

4,218,873 A *	8/1980	Lang	.....	368/281
4,390,288 A *	6/1983	Arnoux	.....	368/276
4,620,798 A *	11/1986	Scarizzi	.....	368/276
6,587,400 B1 *	7/2003	Line	.....	368/88
D537,371 S *	2/2007	Belamich	.....	D10/39
D577,611 S *	9/2008	Lalo	.....	D10/32
D578,412 S *	10/2008	Belamich	.....	D10/39
D588,025 S *	3/2009	Belamich	.....	D10/39
D594,352 S *	6/2009	Belamich	.....	D10/39
D598,304 S *	8/2009	Belamich	.....	D10/39
7,628,530 B2 *	12/2009	Andren et al.	.....	368/281
D632,593 S *	2/2011	Nunes	.....	D10/39
D635,867 S *	4/2011	Nunes	.....	D10/38
D668,970 S *	10/2012	Nunes	.....	D10/38

\* cited by examiner

*Primary Examiner* — Martie K Holtje

(74) *Attorney, Agent, or Firm* — Volpe and Koenig, P.C.

(57) **CLAIM**

The ornamental design for watch, as shown and described.

**DESCRIPTION**

FIG. 1 is a front elevational view of a watch showing my new design;

FIG. 2 is a right side elevational view thereof;

FIG. 3 is a bottom plan view thereof;

FIG. 4 is a top plan view thereof;

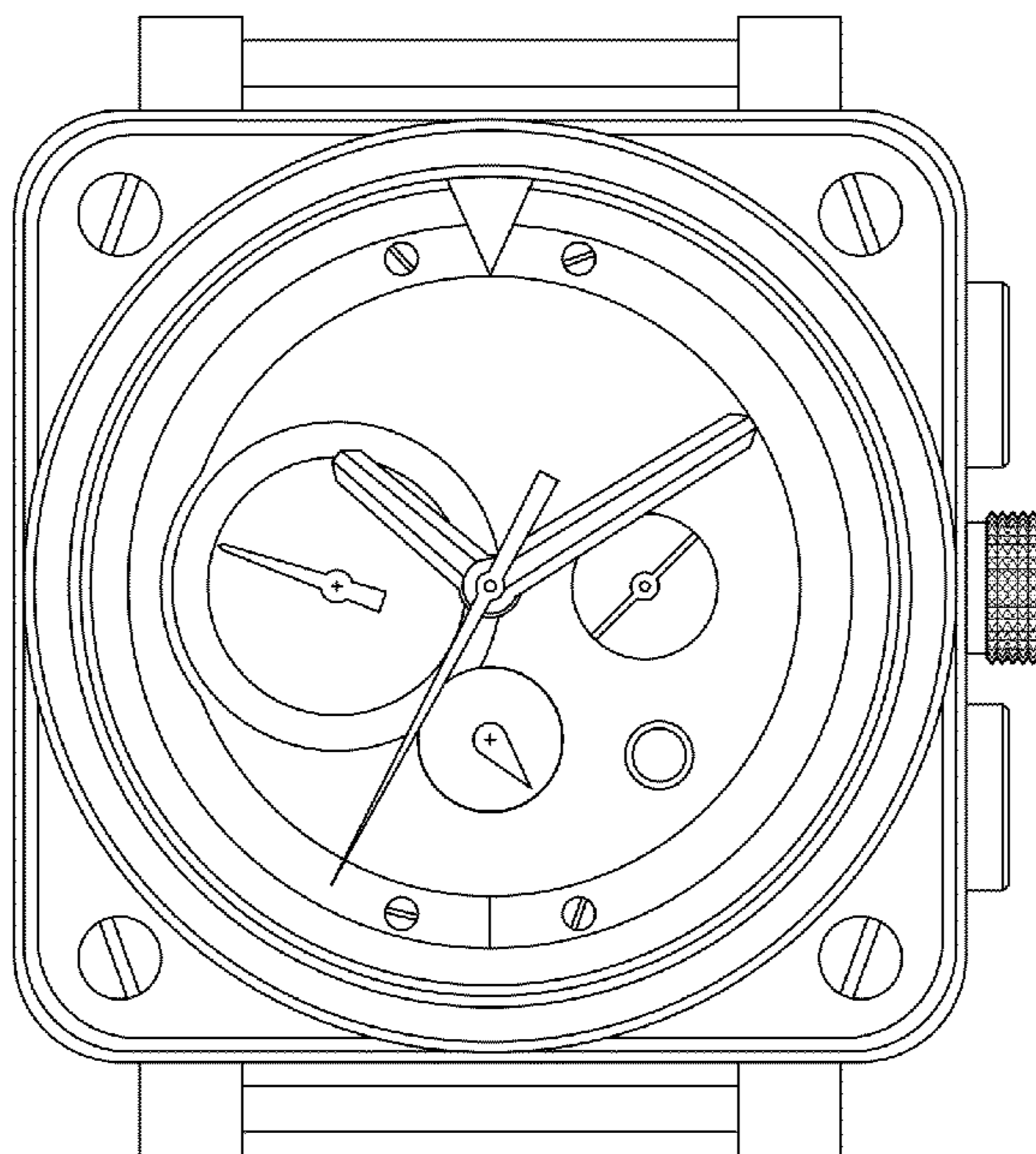
FIG. 5 is a rear elevational view thereof;

FIG. 6 is a left side elevational view thereof; and,

FIG. 7 is a bottom, right front perspective view thereof.

The structural features depicted by broken lines in FIG. 5 have been shown for the purpose of illustrating portions of the watch that form no part of the claimed design.

**1 Claim, 4 Drawing Sheets**



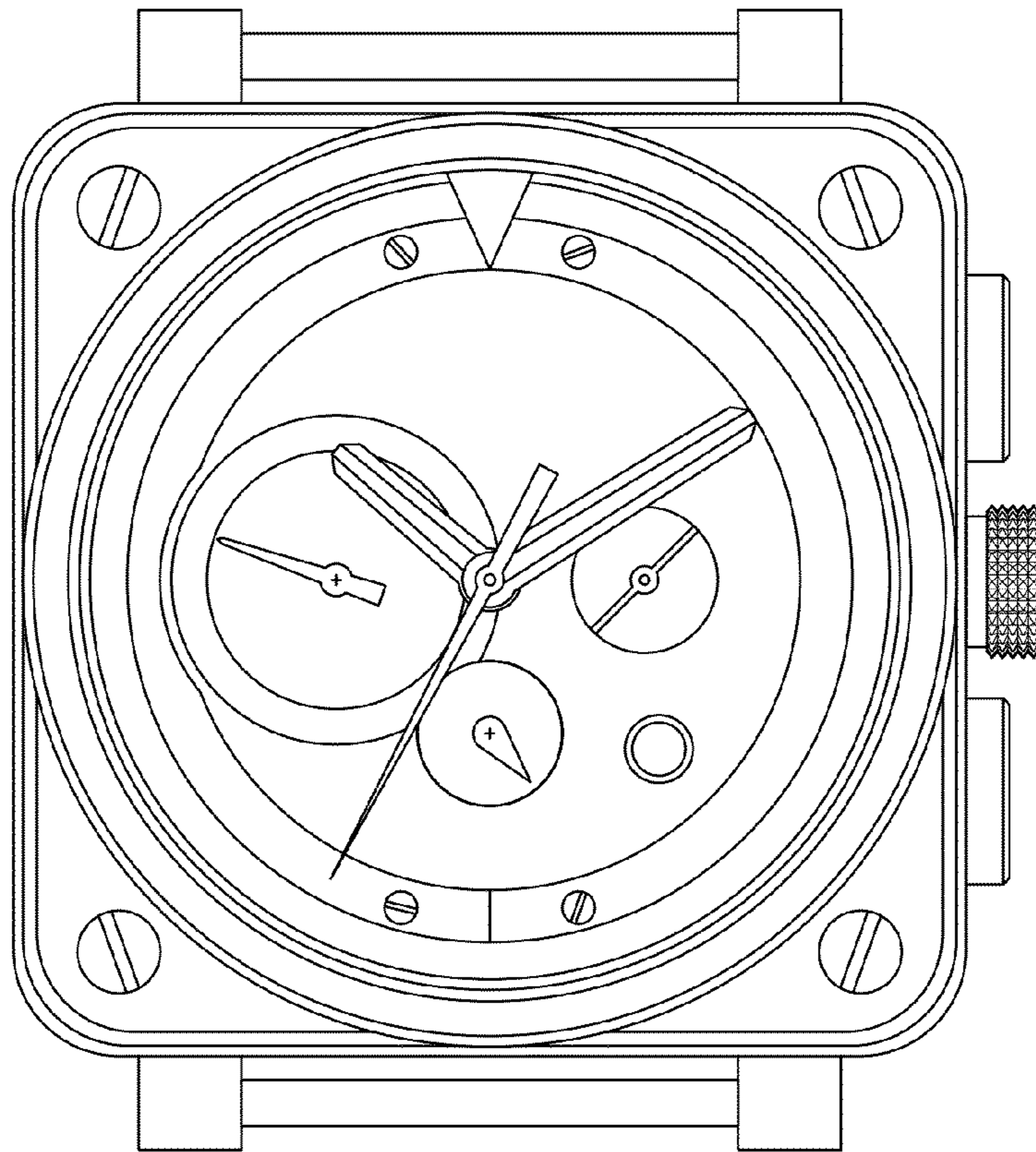


FIG. 1

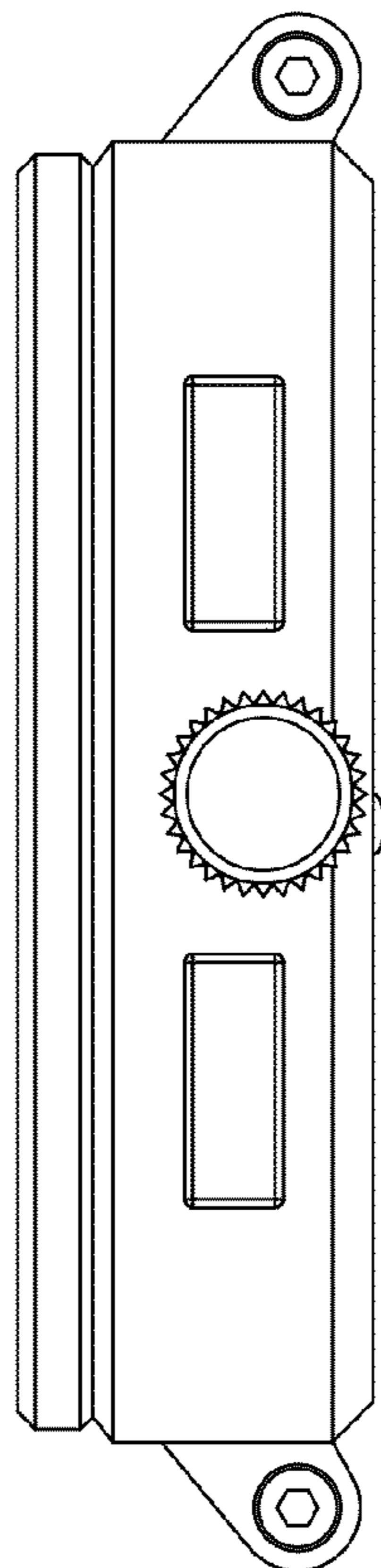
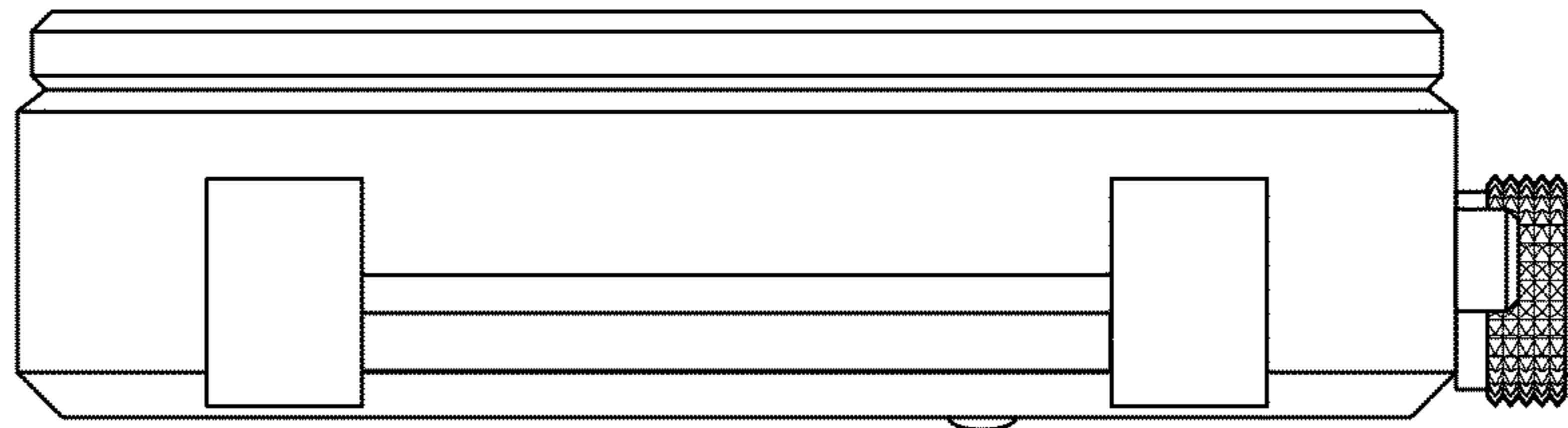
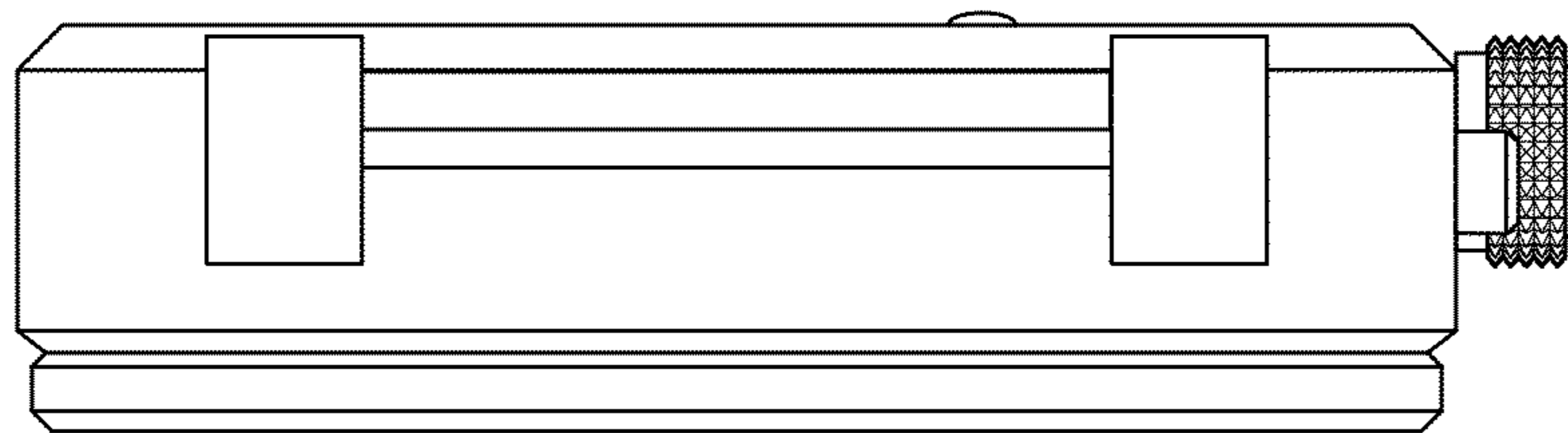


FIG. 2



**FIG. 3**



**FIG. 4**

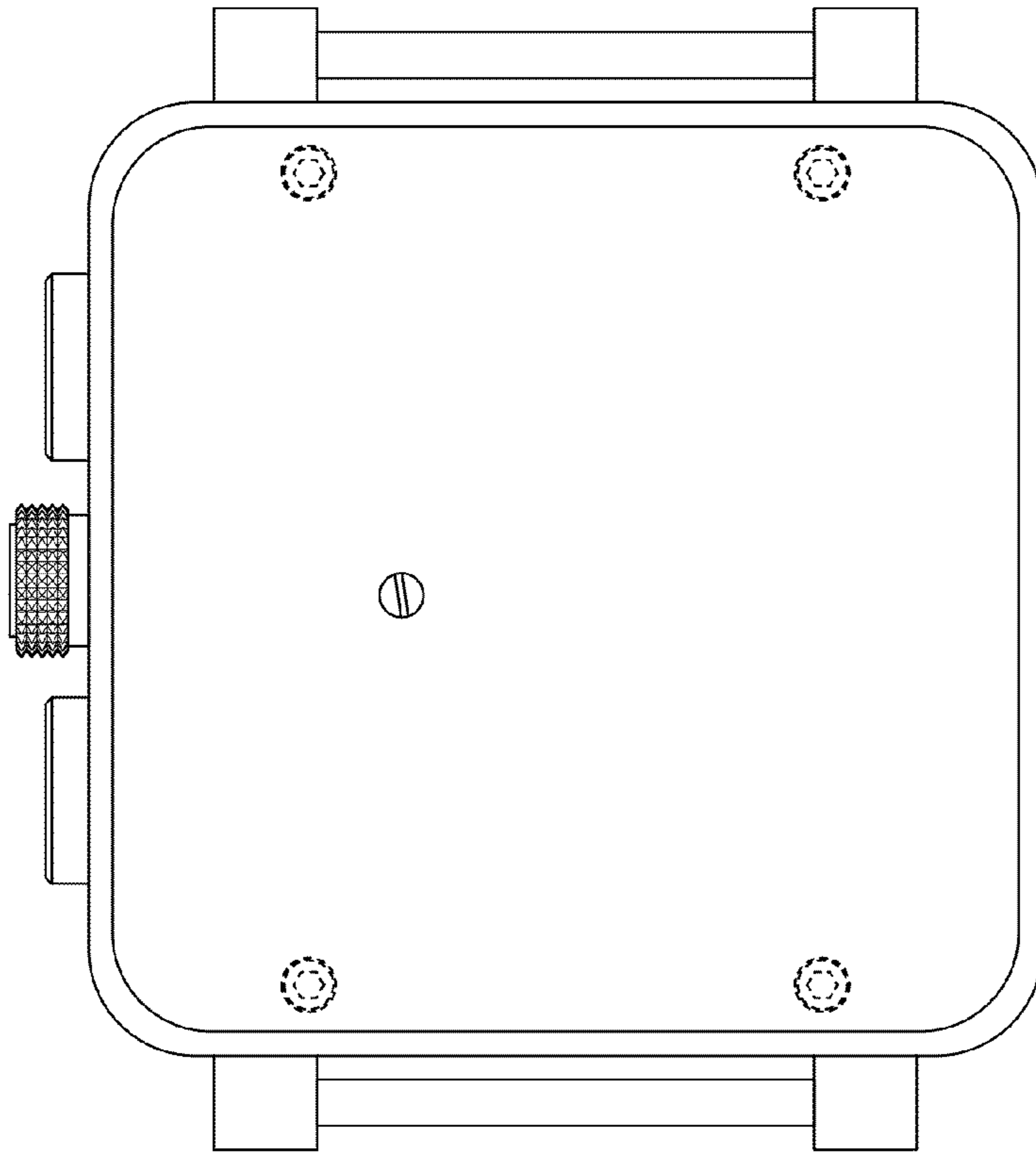


FIG. 5

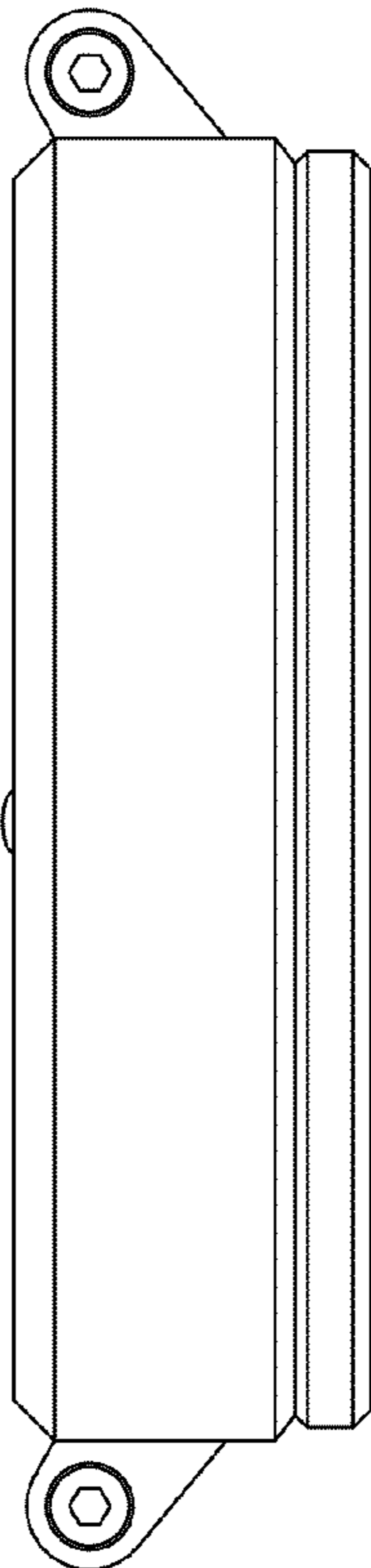


FIG. 6

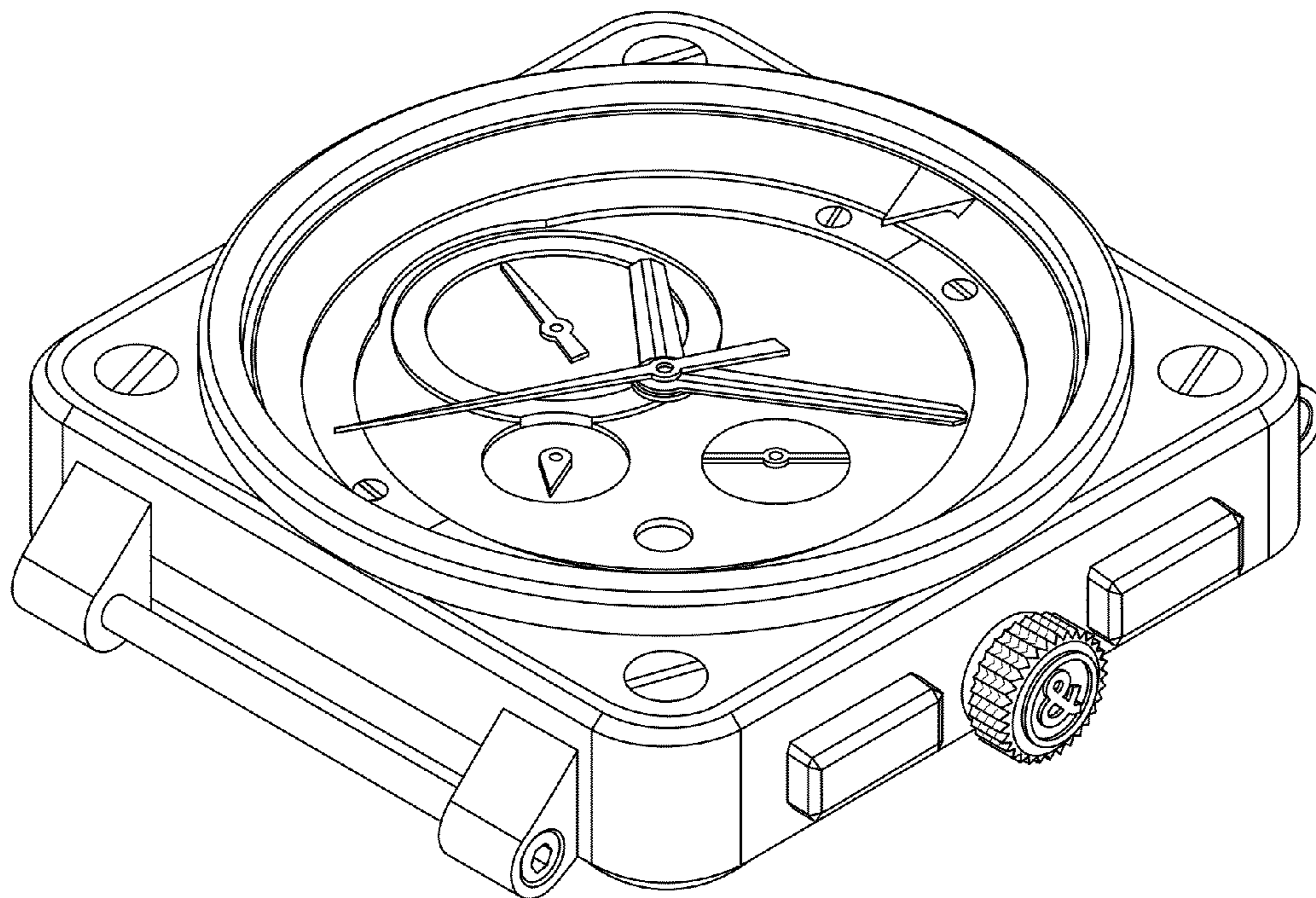


FIG. 7