



US00D755644S

(12) **United States Design Patent**
Giannini

(10) **Patent No.:** **US D755,644 S**

(45) **Date of Patent:** **** May 10, 2016**

(54) **WATCH**

(71) Applicant: **Luxury Timepieces International SA,**
Cortailod (CH)

(72) Inventor: **Frida Giannini,** Florence (IT)

(73) Assignee: **Luxury Timepieces International SA,**
Cortailod (CH)

(**) Term: **14 Years**

(21) Appl. No.: **29/461,326**

(22) Filed: **Jul. 22, 2013**

(30) **Foreign Application Priority Data**

Jan. 22, 2013 (CH) 139604

(51) **LOC (10) Cl.** **10-02**

(52) **U.S. Cl.**
USPC **D10/39; D10/30**

(58) **Field of Classification Search**
USPC D10/30-39, 1-29, 122-132
CPC G04B 19/00; G04B 19/04; G04B 19/06;
G04B 19/10; G04B 19/24; G04B 37/00;
G04B 37/0008; G04B 45/00; G04B 45/0069;
G04B 45/0076; G04B 45/0084
See application file for complete search history.

(56) **References Cited**

U.S. PATENT DOCUMENTS

3,555,812 A * 1/1971 Piquerez 368/291
4,040,248 A * 8/1977 Laesser 368/252

D279,272 S * 6/1985 Sharpe D10/33
D279,552 S * 7/1985 Maglioli D10/39
D388,339 S * 12/1997 Wunderman D10/39
D399,762 S * 10/1998 Yida D10/33
D401,515 S * 11/1998 Yida D10/39
D405,016 S * 2/1999 Bach D10/32
D420,920 S * 2/2000 Bach D10/32
D435,463 S * 12/2000 Lassigne D10/39
D468,648 S * 1/2003 Starck D10/38
D518,741 S * 4/2006 Modolo D10/32
D533,470 S * 12/2006 Krieger D10/39
D547,224 S * 7/2007 Cramer D10/126
D570,710 S * 6/2008 Wong D10/30
D596,049 S * 7/2009 Jorst D10/32
D600,141 S * 9/2009 Giannini D10/32
D675,112 S * 1/2013 Giannini D10/33
D675,942 S * 2/2013 Giannini D10/33

* cited by examiner

Primary Examiner — Martie K Holtje

(74) *Attorney, Agent, or Firm* — Sughrue Mion, PLLC

(57) **CLAIM**

The ornamental design for a watch, as shown and described.

DESCRIPTION

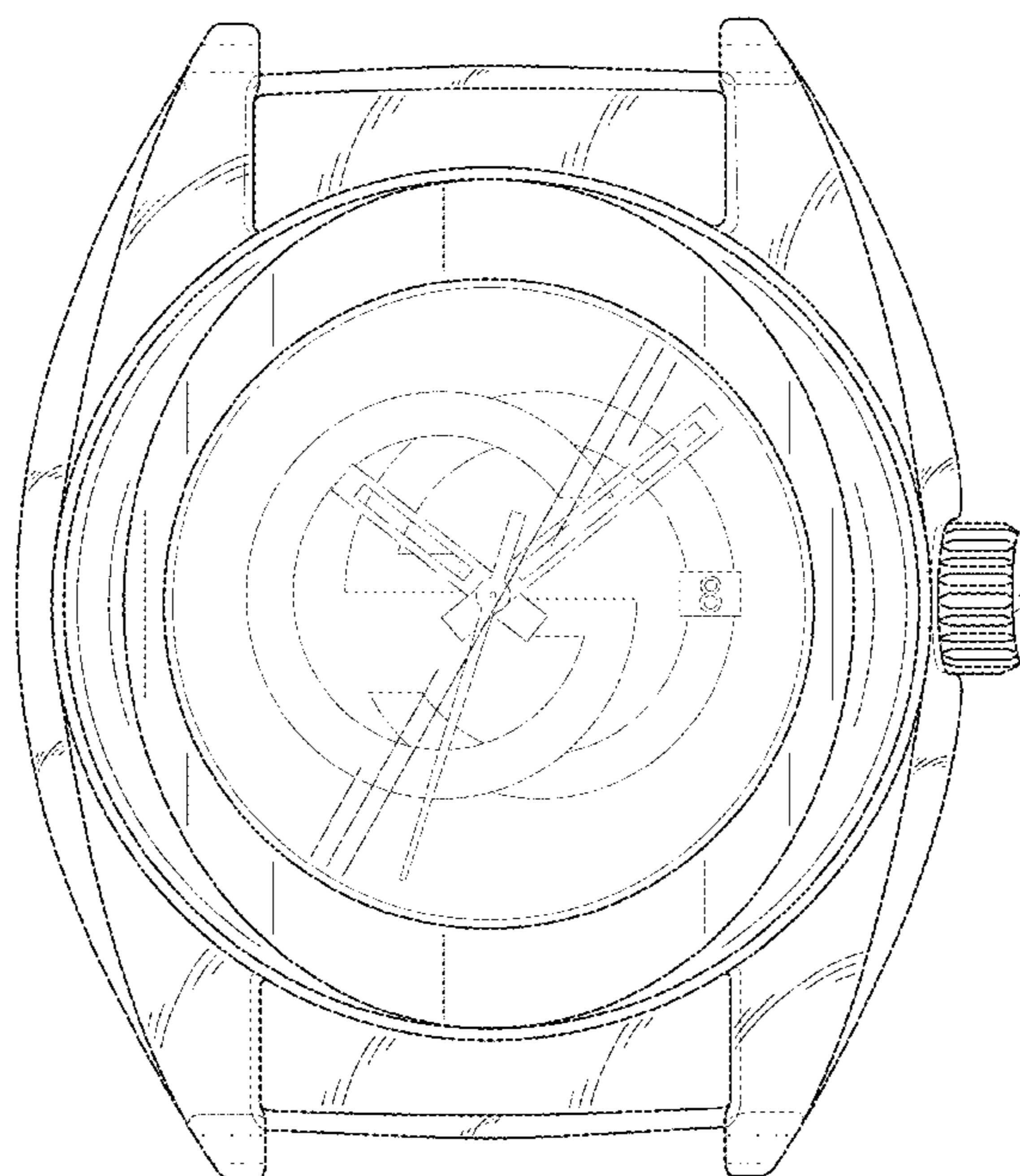
FIG. 1 is a right front perspective view of a watch showing my new design; and,

FIG. 2 is a front elevational view thereof.

The structural features depicted by broken lines have been shown for the purpose of illustrating portions of the watch that form no part of the claimed design.

The sides and rear of the watch, not shown, form no part of the claimed design.

1 Claim, 2 Drawing Sheets



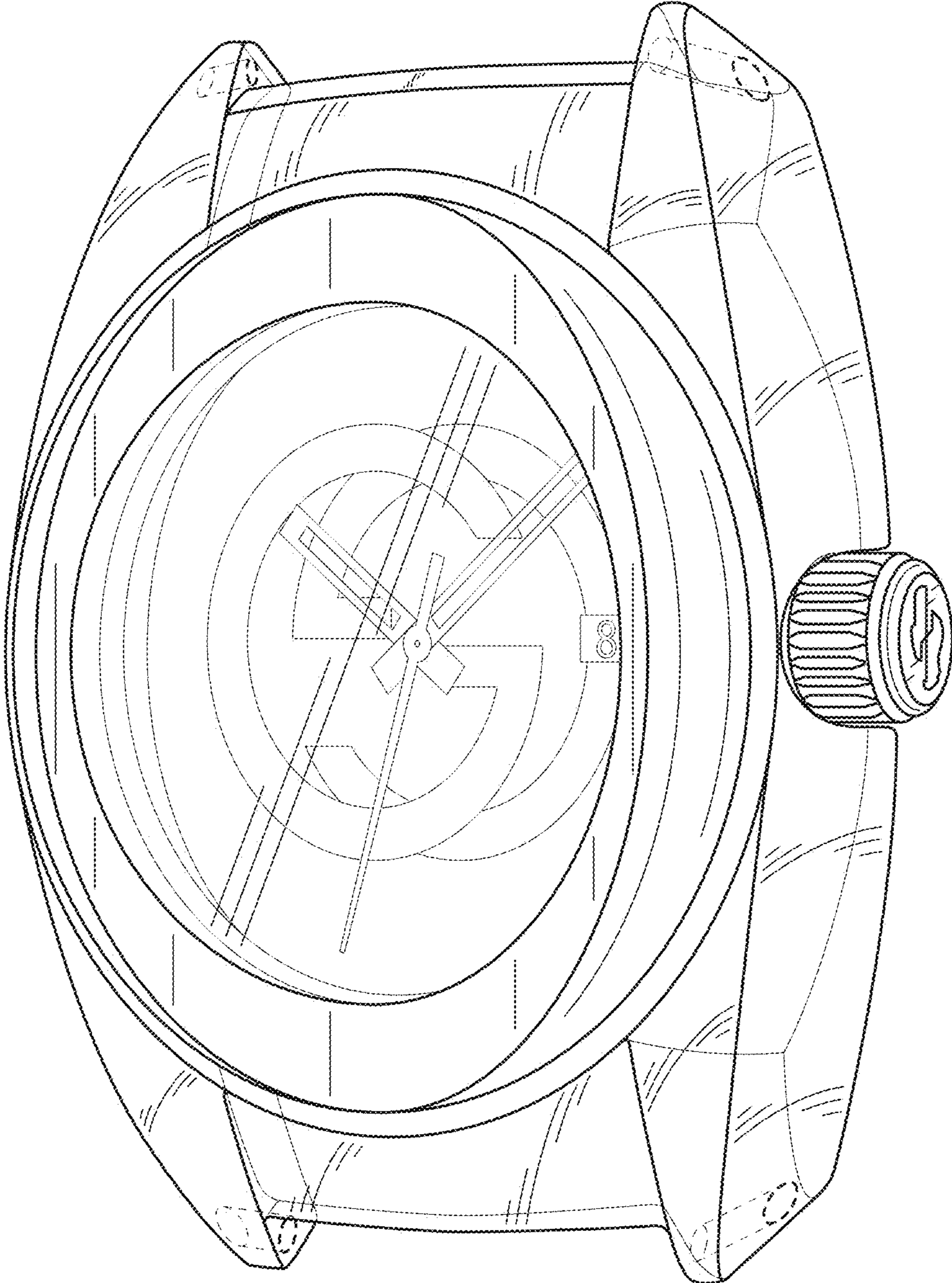


FIG. 1

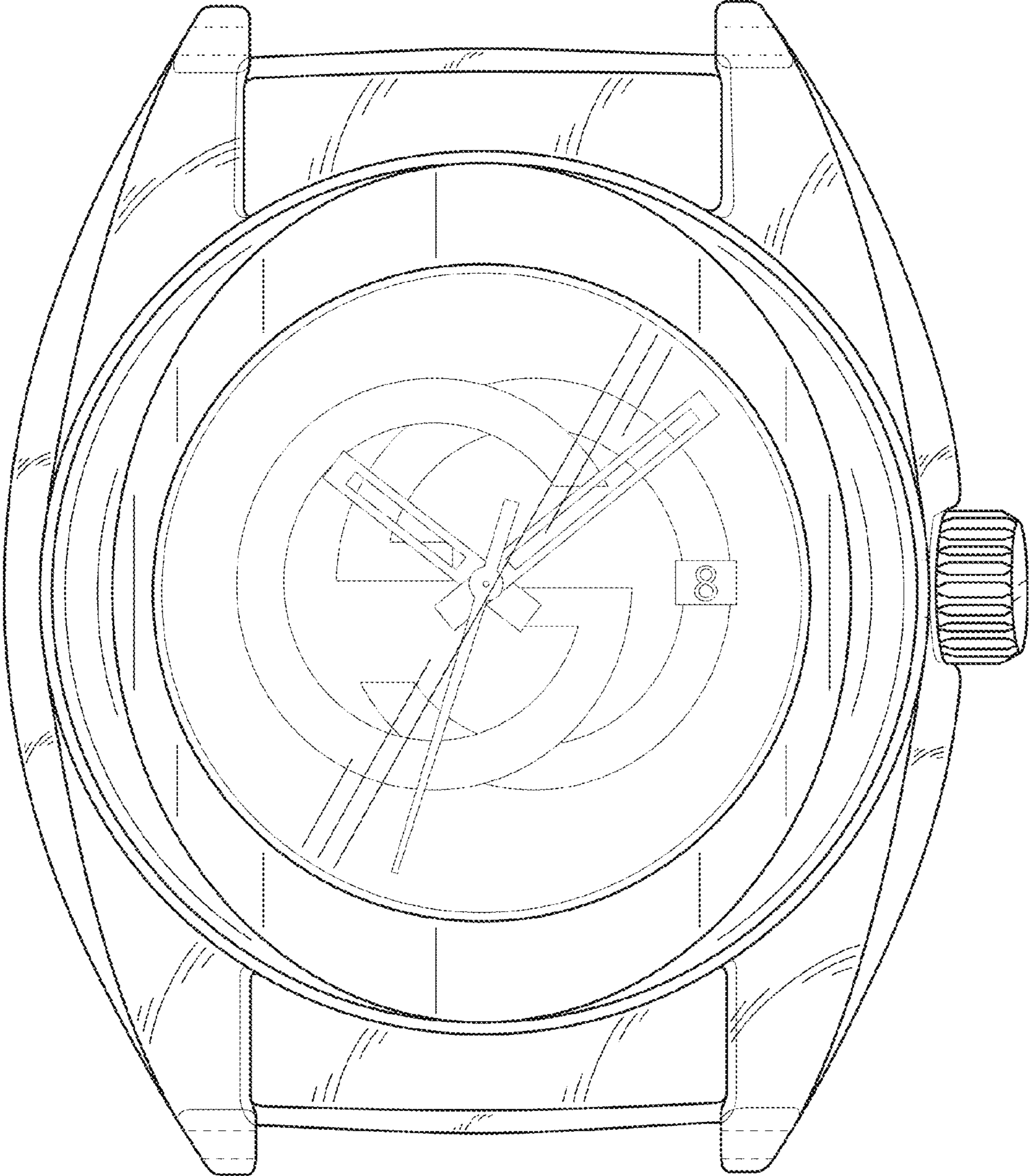


FIG. 2