



US00D755642S

(12) **United States Design Patent**
Nottingham Colosimo et al.

(10) **Patent No.:** **US D755,642 S**
(45) **Date of Patent:** **** May 10, 2016**

- (54) **BOTTLE**
- (71) Applicant: **Triumph Pharmaceuticals Inc.**, St. Louis, MO (US)
- (72) Inventors: **Rachel Nottingham Colosimo**, Cleveland Heights, OH (US); **John McKenzie**, Aurora, OH (US)
- (73) Assignee: **Triumph Pharmaceuticals Inc.**, St. Louis, MO (US)
- (**) Term: **14 Years**
- (21) Appl. No.: **29/495,588**
- (22) Filed: **Jul. 2, 2014**

5,954,213 A	9/1999	Gerhart et al.	
D439,156 S *	3/2001	Hall	D9/522
D536,981 S *	2/2007	Toth	D9/522
D537,724 S *	3/2007	Toth	D9/522
D543,865 S *	6/2007	Walters	D9/684
D614,046 S *	4/2010	Piro	D9/450
D626,434 S *	11/2010	Massin	D9/435
8,413,849 B2	4/2013	Flores	
D684,863 S *	6/2013	Snyder	D9/454
D693,697 S *	11/2013	Revivo	D9/684
D695,130 S *	12/2013	Revivo	D9/684
D735,503 S *	8/2015	Okuno-Jones	D6/684
2001/0013523 A1	8/2001	Gross et al.	
2003/0089738 A1 *	5/2003	Peterson	B05B 11/0078 222/135
2004/0026535 A1	2/2004	Conway et al.	
2006/0180617 A1	8/2006	Suffa	
2007/0000945 A1	1/2007	Geberzahn et al.	
2007/0012806 A1	1/2007	Muhlhausen et al.	
2007/0029344 A1	2/2007	Schymitzek et al.	
2007/0158461 A1	7/2007	Rymer et al.	
2007/0278174 A1	12/2007	Kunz et al.	
2013/0240563 A1 *	9/2013	Kraenzle	B65D 1/04 222/129

Related U.S. Application Data

- (63) Continuation of application No. 14/283,847, filed on May 21, 2014.
- (51) **LOC (10) Cl.** **09-01**
- (52) **U.S. Cl.**
USPC **D9/741**; D9/542; D9/558
- (58) **Field of Classification Search**
USPC D9/446-447, 516, 522, 524, 529-530, D9/542, 549, 558, 565, 574-575, 682, D9/684-686, 715, 719, 723, 727-729, 738, D9/741, 743-744; 215/6, 379-384; 220/4.21, 4.24, 4.31; D7/596
See application file for complete search history.

* cited by examiner

Primary Examiner — Dana L Meyrow

Assistant Examiner — Keith Frank

(74) *Attorney, Agent, or Firm* — Harness, Dickey & Pierce, P.L.C.

(57) **CLAIM**

The ornamental design for a bottle, as shown and described.

DESCRIPTION

FIG. 1 is a perspective view of a bottle showing the new design.

FIG. 2 is a right side view thereof.

FIG. 3 is a left side view thereof.

FIG. 4 is a front view thereof.

FIG. 5 is a top view thereof.

FIG. 6 is a bottom view thereof; and,

FIG. 7 is a rear view thereof.

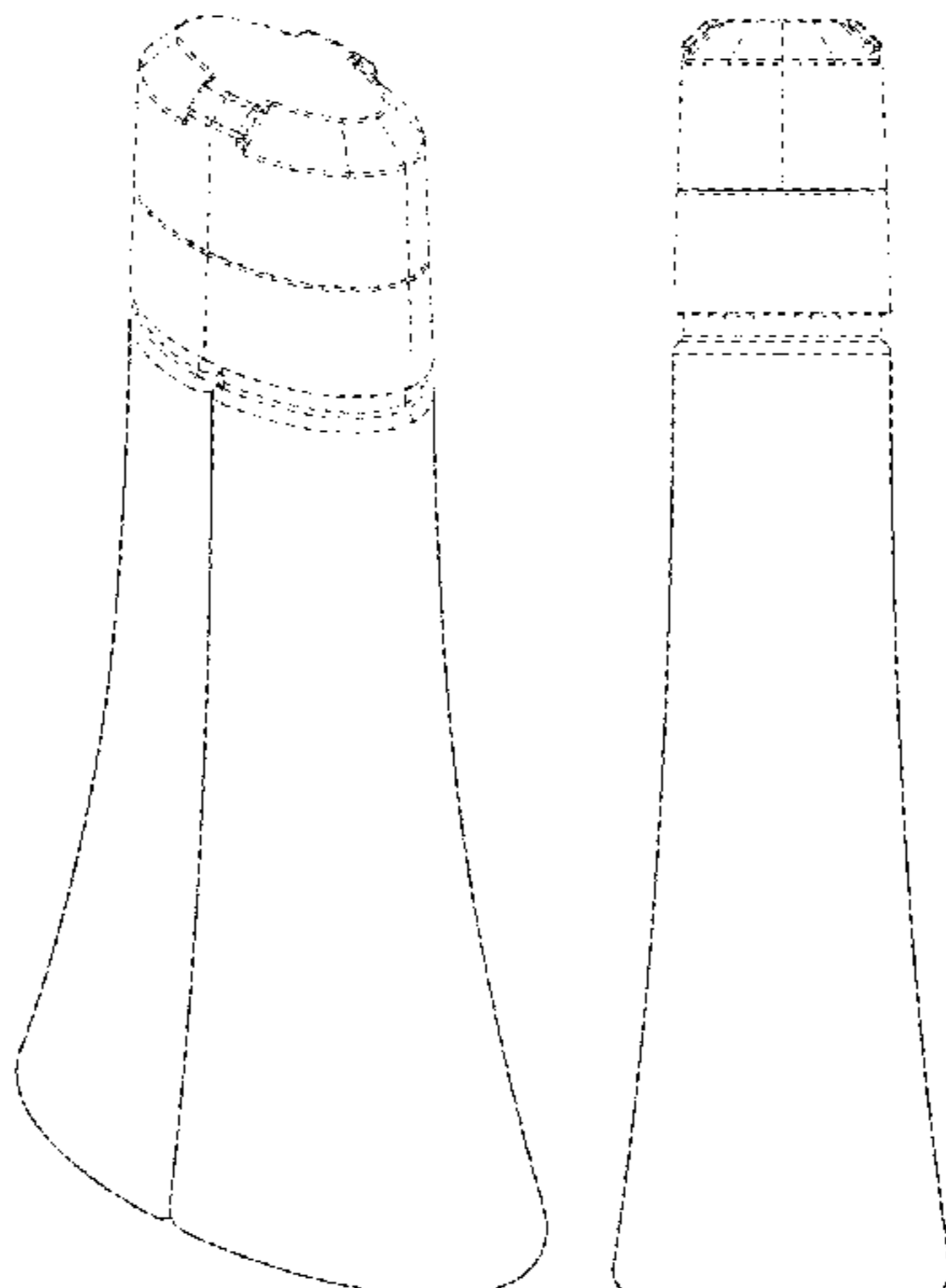
The broken lines in the drawings illustrate the portions of the bottle that form no part of the claim.

1 Claim, 5 Drawing Sheets

(56) **References Cited**

U.S. PATENT DOCUMENTS

D178,849 S *	9/1956	Serra	D9/522
3,729,553 A	4/1973	Gold et al.	
4,984,715 A *	1/1991	Green	B65D 81/3283 222/129
D333,618 S *	3/1993	Patel	D9/522
5,289,950 A	3/1994	Gentile	
5,392,947 A	2/1995	Gentile	
5,579,957 A	12/1996	Gentile et al.	
D414,104 S *	9/1999	Klauke	D9/695



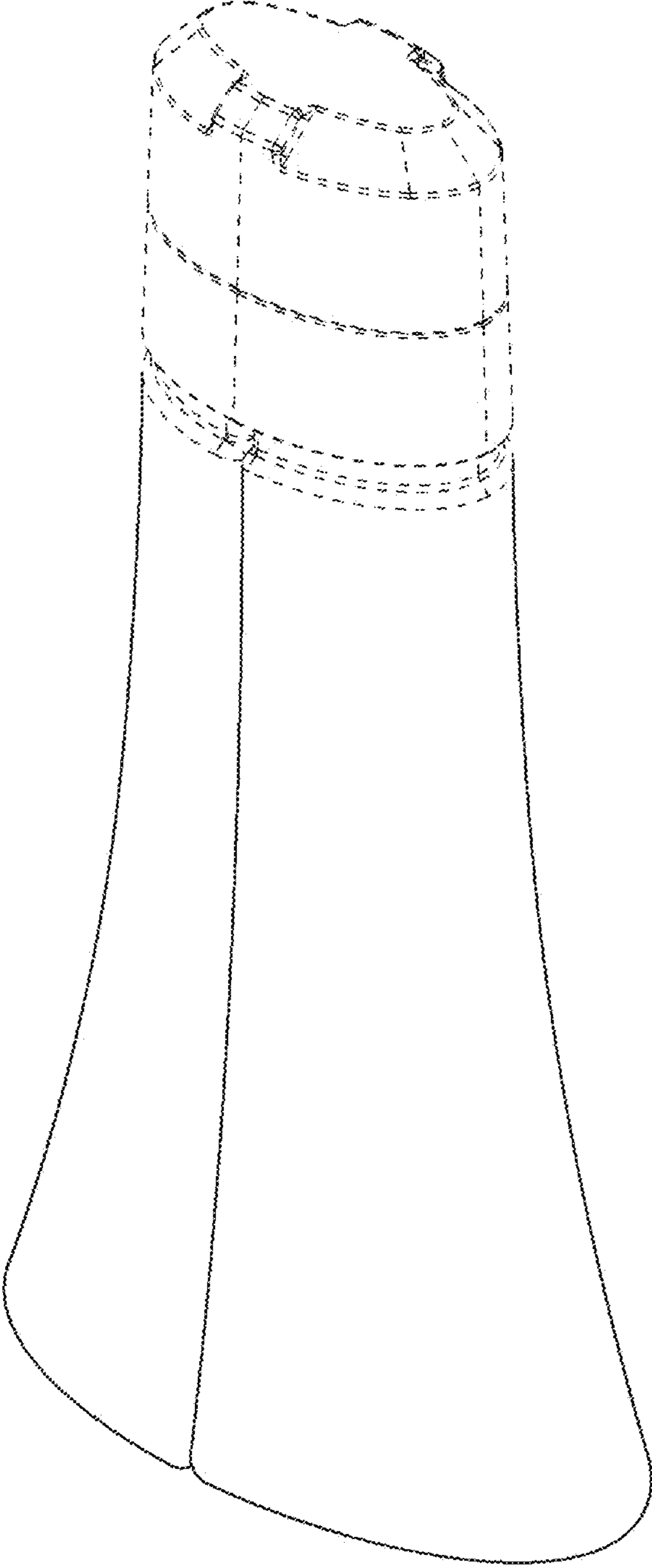


FIG. 1

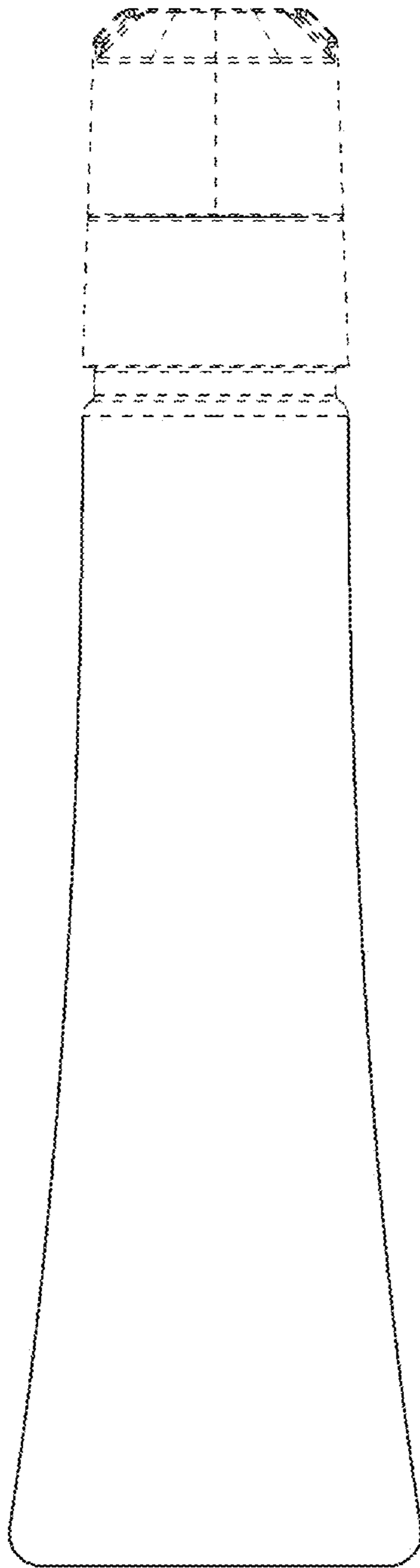


FIG. 2

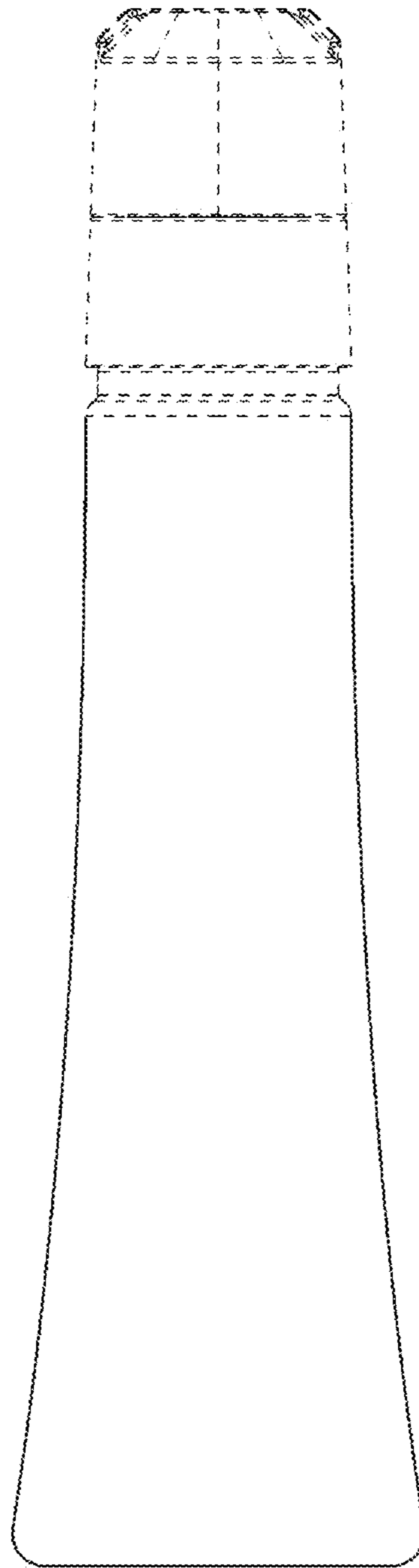


FIG. 3

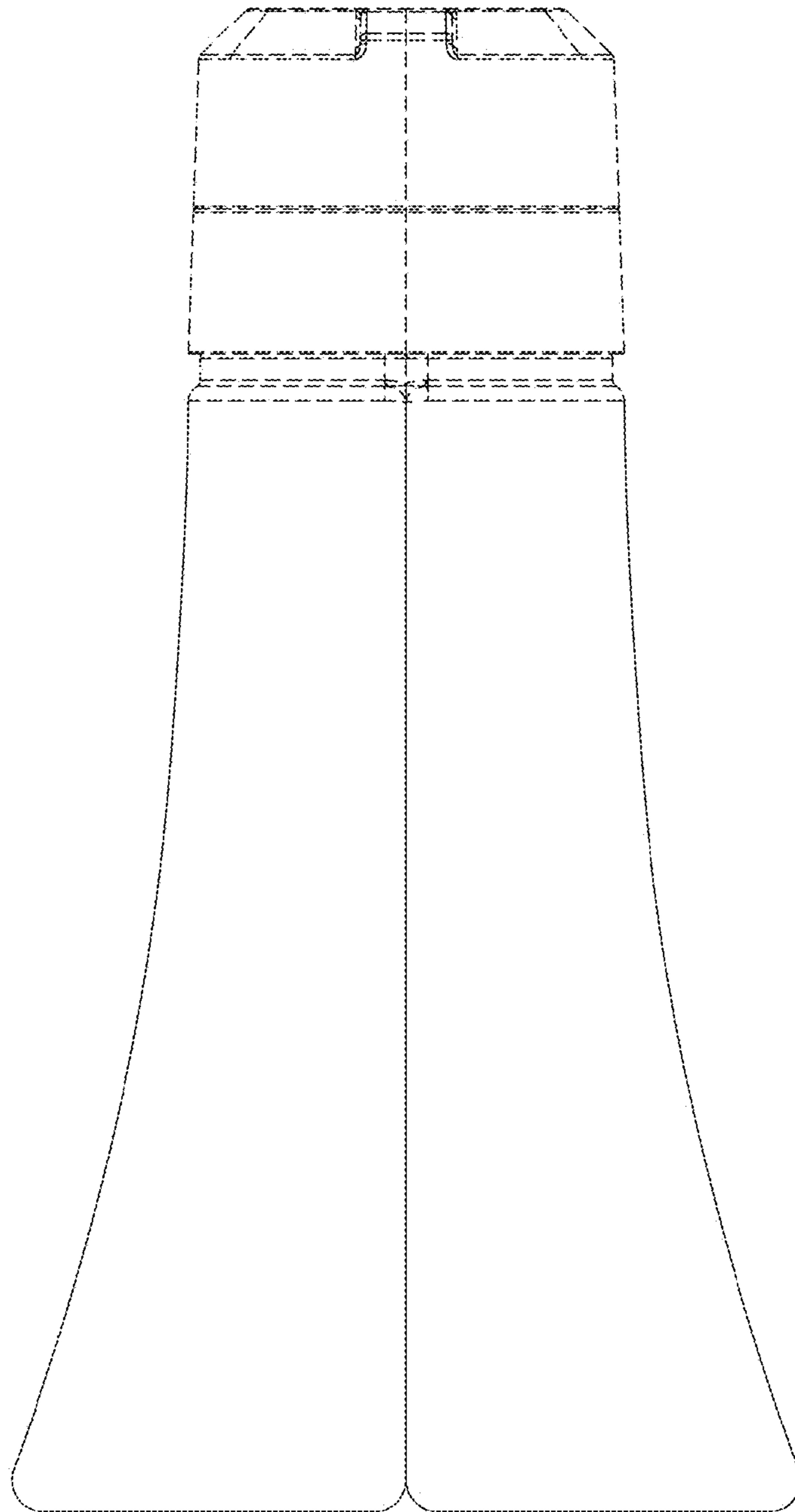


Fig-4

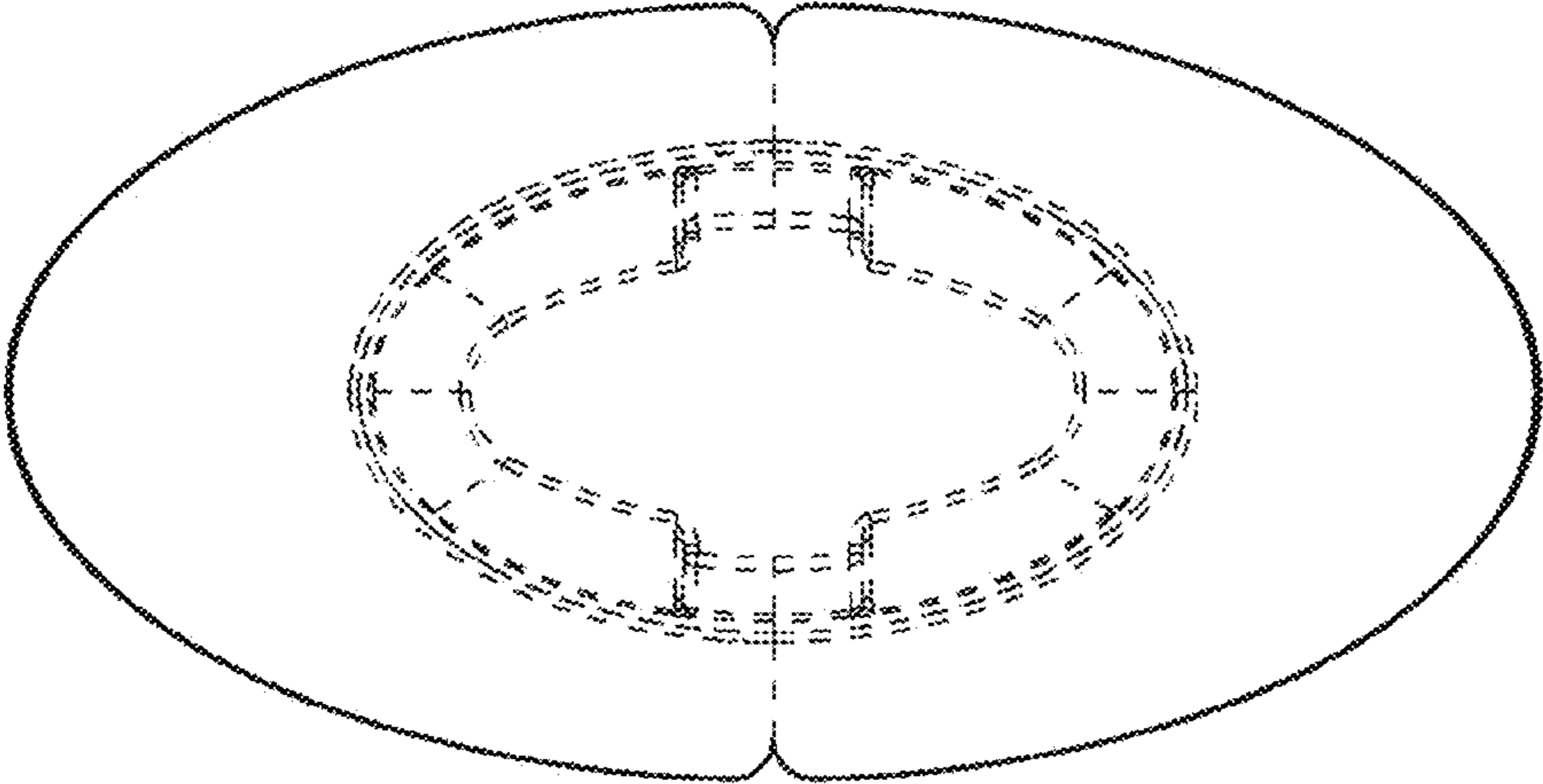


FIG. 5

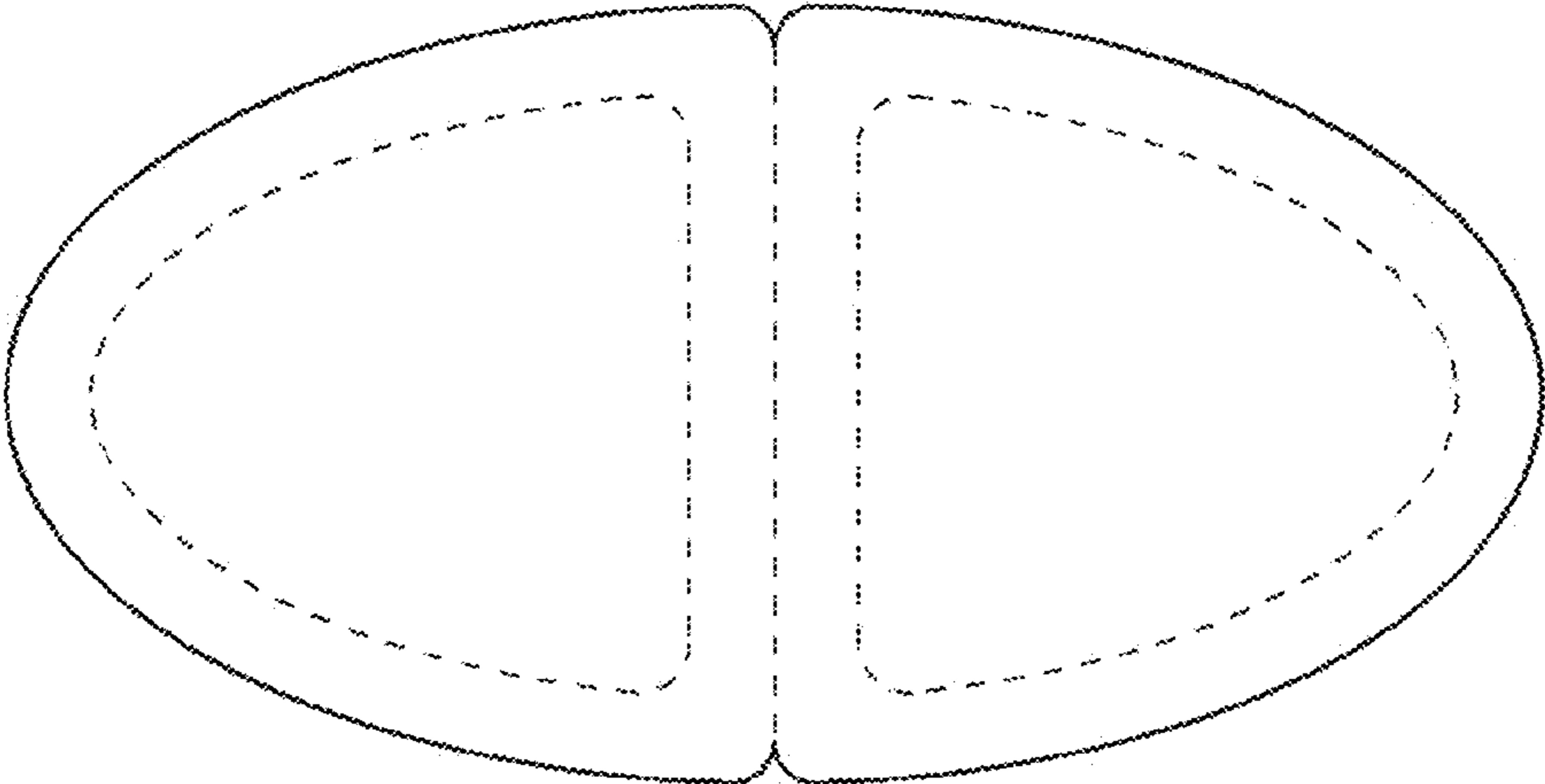


FIG. 6

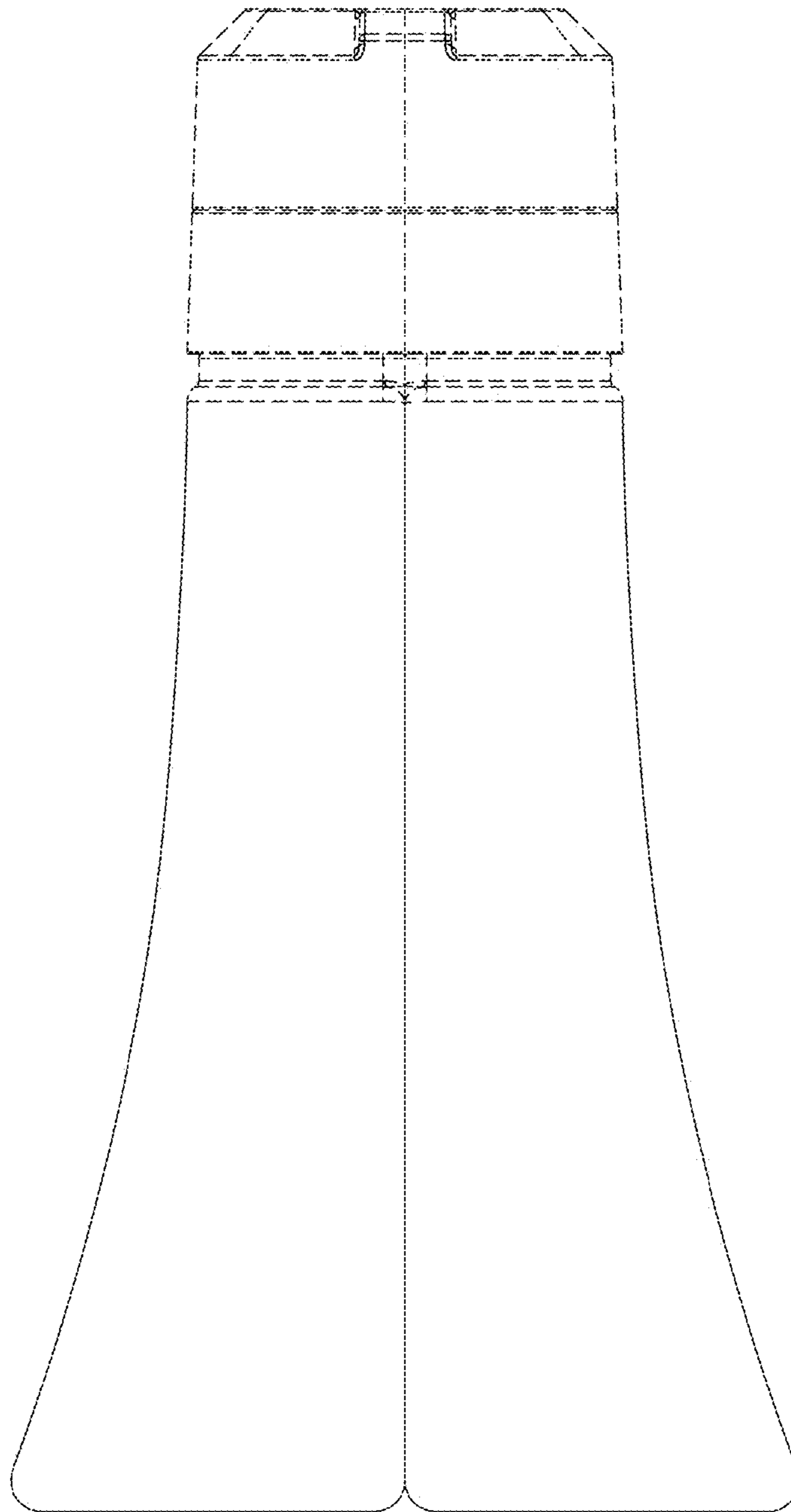


Fig-7