



US00D755640S

(12) **United States Design Patent**
Tseng et al.

(10) **Patent No.:** **US D755,640 S**
(45) **Date of Patent:** **** May 10, 2016**

(54) **PLASTIC BAG WITH TEXTURED STRIP**

(71) Applicant: **INTEPLAST GROUP, LTD.**,
Livingston, NJ (US)

(72) Inventors: **Ben Tseng**, East Brunswick, NJ (US);
Ter-Hai Lin, Sugar Land, TX (US); **Joe Wang**,
Roseland, NJ (US); **Jerry Hsu**, Closter, NJ (US)

(73) Assignee: **Interplast Group Corporation**,
Livingston, NJ (US)

(**) Term: **14 Years**

(21) Appl. No.: **29/470,764**

(22) Filed: **Oct. 24, 2013**

(51) **LOC (10) Cl.** **09-05**

(52) **U.S. Cl.**
USPC **D9/703**

(58) **Field of Classification Search**
USPC D9/600, 700-711, 430-434; D3/304
CPC . B65D 25/205; B65D 33/004; B65D 21/0202
See application file for complete search history.

(56) **References Cited**

U.S. PATENT DOCUMENTS

D29,594 S 11/1898 Arkell
3,715,420 A 2/1973 Kiyono et al.

(Continued)

Primary Examiner — Susan Bennett Hattan

Assistant Examiner — Brett Miller

(74) *Attorney, Agent, or Firm* — Senniger Powers LLP

(57) **CLAIM**

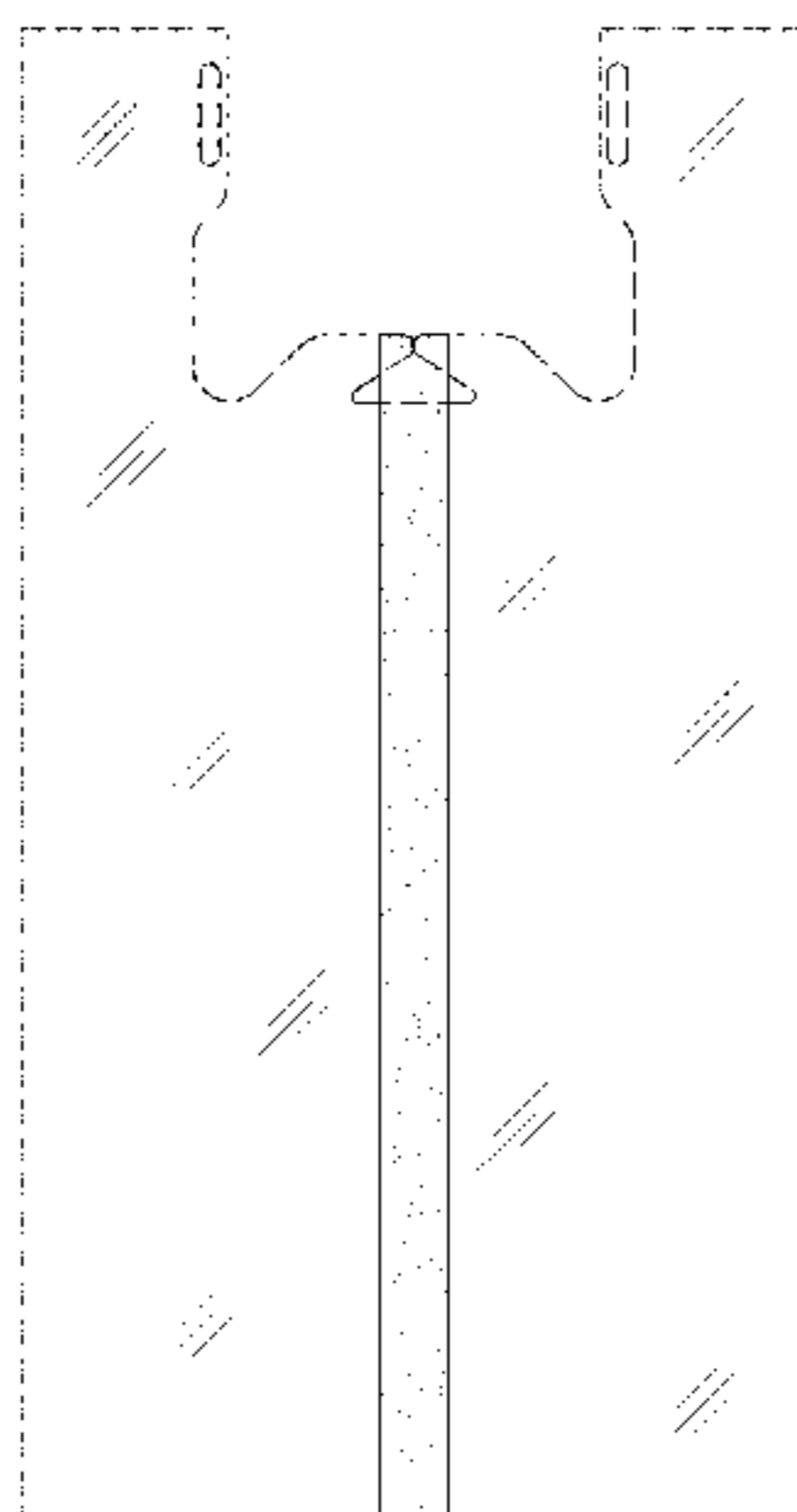
The ornamental design for a plastic bag with textured strip, as shown and described.

DESCRIPTION

FIG. 1 is a front elevation of a plastic bag of the present invention;

FIG. 2 is a rear elevation;
FIG. 3 is a bottom plan;
FIG. 4 is a top plan;
FIG. 5 is a right side elevation;
FIG. 6 is a left side elevation;
FIG. 7 is a front elevation of a second embodiment of the invention, the plastic bag having one textured strip extending between the opening of the bag and the bottom of the bag, the rear elevation being a mirror image thereof;
FIG. 8 is a front elevation of a third embodiment of the invention, the plastic bag having one textured strip extending between the opening of the bag and the bottom of the bag, the rear elevation being a mirror image thereof;
FIG. 9 is a front elevation of a fourth embodiment of the invention, the plastic bag having one textured strip extending between the opening of the bag and the bottom of the bag, the rear elevation being a mirror image thereof;
FIG. 10 is a front elevation of a fifth embodiment of the invention, the plastic bag having one textured strip extending between the opening of the bag and the bottom of the bag, the rear elevation being a mirror image thereof;
FIG. 11 is a front elevation of a sixth embodiment of the invention, the plastic bag having one textured strip extending between the opening of the bag and the bottom of the bag, the rear elevation being a mirror image thereof; and,
FIG. 12 is a front elevation of a seventh embodiment of the invention, the plastic bag having one textured strip extending between the opening of the bag and the bottom of the bag, the rear elevation being a mirror image thereof.
The shading in FIGS. 1-12 depicts a texture contrast consonant with the visual appearance shown in these drawings. In FIG. 1, a front panel and a rear panel of the plastic bag are transparent, and a strip of the plastic bag has stippling to show that it has a different texture, and therefore a texture contrast is depicted between the textured strip and the remainder of the bag.
The top, bottom, left, and right views of the alternative embodiments in FIGS. 7-12 are as shown in FIGS. 3-6, except that the plastic bag has the corresponding length and width shown in the embodiments of FIGS. 7-12, respectively.
The broken lines illustrate unclaimed features and define the bounds of the claimed design and form no part thereof.

1 Claim, 11 Drawing Sheets



(56)

References Cited

U.S. PATENT DOCUMENTS

4,488,918 A 12/1984 Jofs
 4,562,023 A 12/1985 Pabst et al.
 4,753,766 A 6/1988 Pinsolle
 4,840,824 A 6/1989 Davis
 5,308,666 A 5/1994 Borchardt
 D349,451 S * 8/1994 Sagnard D9/703
 5,382,094 A 1/1995 Ausnit
 D363,018 S 10/1995 Stokes et al.
 5,804,112 A 9/1998 Greene
 D401,846 S * 12/1998 Nguyen D9/703
 5,863,130 A 1/1999 Nguyen
 5,894,947 A 4/1999 Morano
 D432,907 S * 10/2000 Hyde D9/703
 D466,005 S * 11/2002 Gates D9/710
 6,716,296 B2 4/2004 Chum
 D541,667 S * 5/2007 Pokusa et al. D9/709
 D541,668 S * 5/2007 Pokusa et al. D9/709
 D541,669 S 5/2007 Pokusa et al.
 D542,646 S * 5/2007 Berman D9/708
 D551,989 S * 10/2007 Engel et al. D9/703
 D552,482 S 10/2007 Lin
 7,381,357 B2 6/2008 Cramer
 D587,129 S * 2/2009 Schiffman et al. D9/707
 D595,148 S * 6/2009 Friedland et al. D9/707

D613,181 S * 4/2010 Friedland et al. D9/707
 7,950,851 B2 5/2011 Taheri
 D642,069 S * 7/2011 LaFauci et al. D9/707
 D660,179 S * 5/2012 Bray D9/707
 D667,228 S * 9/2012 Kurose et al. D9/707
 D675,937 S * 2/2013 Stern D9/707
 D676,762 S 2/2013 LaFauci
 8,389,596 B2 3/2013 Boyce et al.
 D684,467 S * 6/2013 Macaulay et al. D9/434
 D684,468 S * 6/2013 Macaulay et al. D9/434
 D688,564 S 8/2013 LaFauci
 D691,491 S 10/2013 Tucker et al.
 D692,314 S * 10/2013 Wilcoxon et al. D9/703
 D693,238 S * 11/2013 Wilcoxon et al. D9/703
 D696,141 S * 12/2013 Wilcoxon et al. D9/703
 D703,547 S * 4/2014 France et al. D9/703
 D712,206 S * 9/2014 Ostroy D9/702
 D723,383 S * 3/2015 Tseng et al. D9/703
 D723,937 S * 3/2015 Dais et al. D9/707
 2003/0138171 A1 7/2003 Kikuchi
 2004/0184682 A1 9/2004 Lovold
 2011/0211777 A1 9/2011 Gerbault
 2011/0249919 A1 10/2011 Shepard
 2011/0311169 A1 12/2011 Smith et al.
 2012/0180434 A1 7/2012 Snyder et al.
 2012/0195526 A1 8/2012 Moehlenbrock et al.

* cited by examiner

FIG. 1

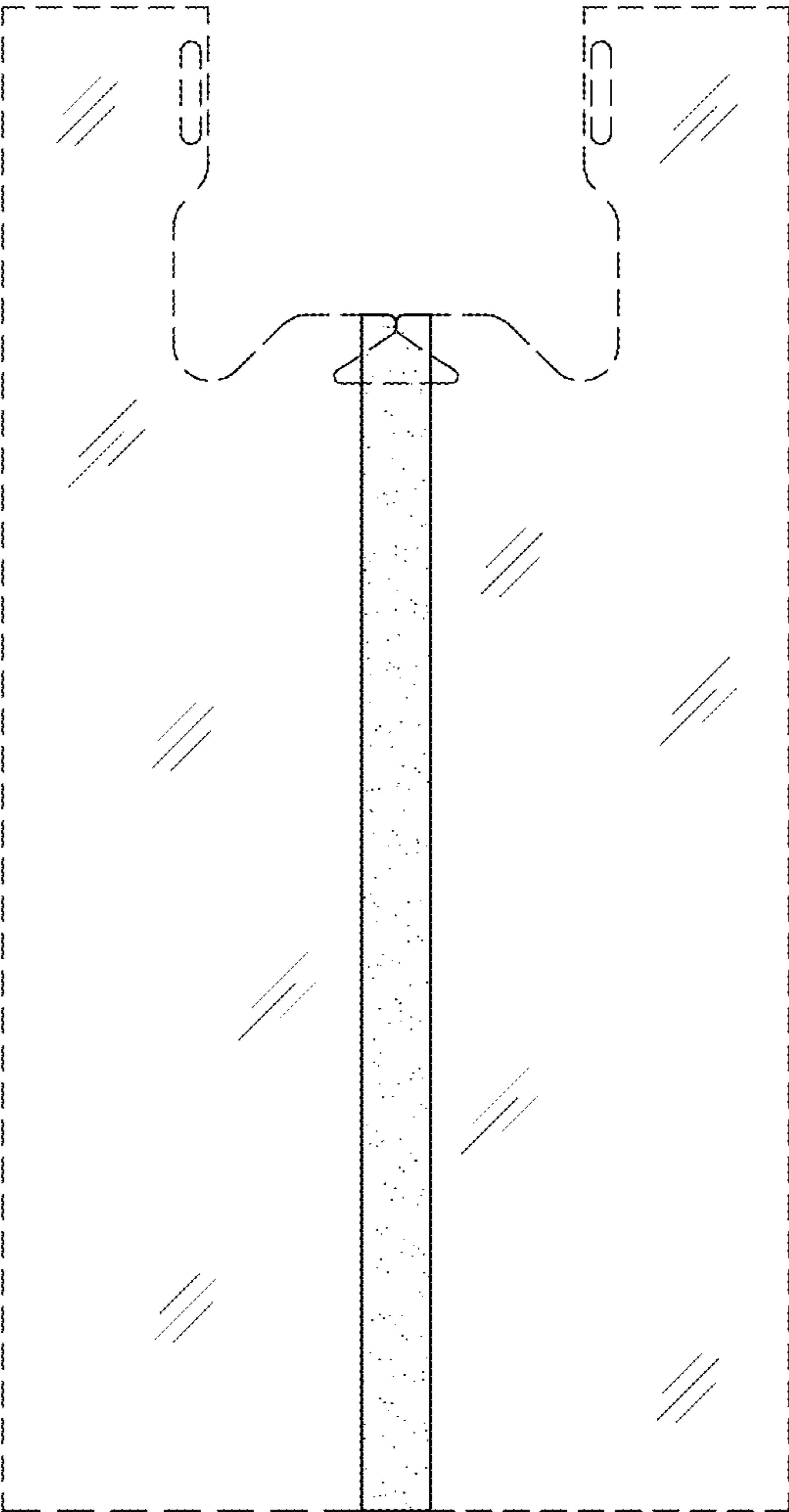


FIG. 2

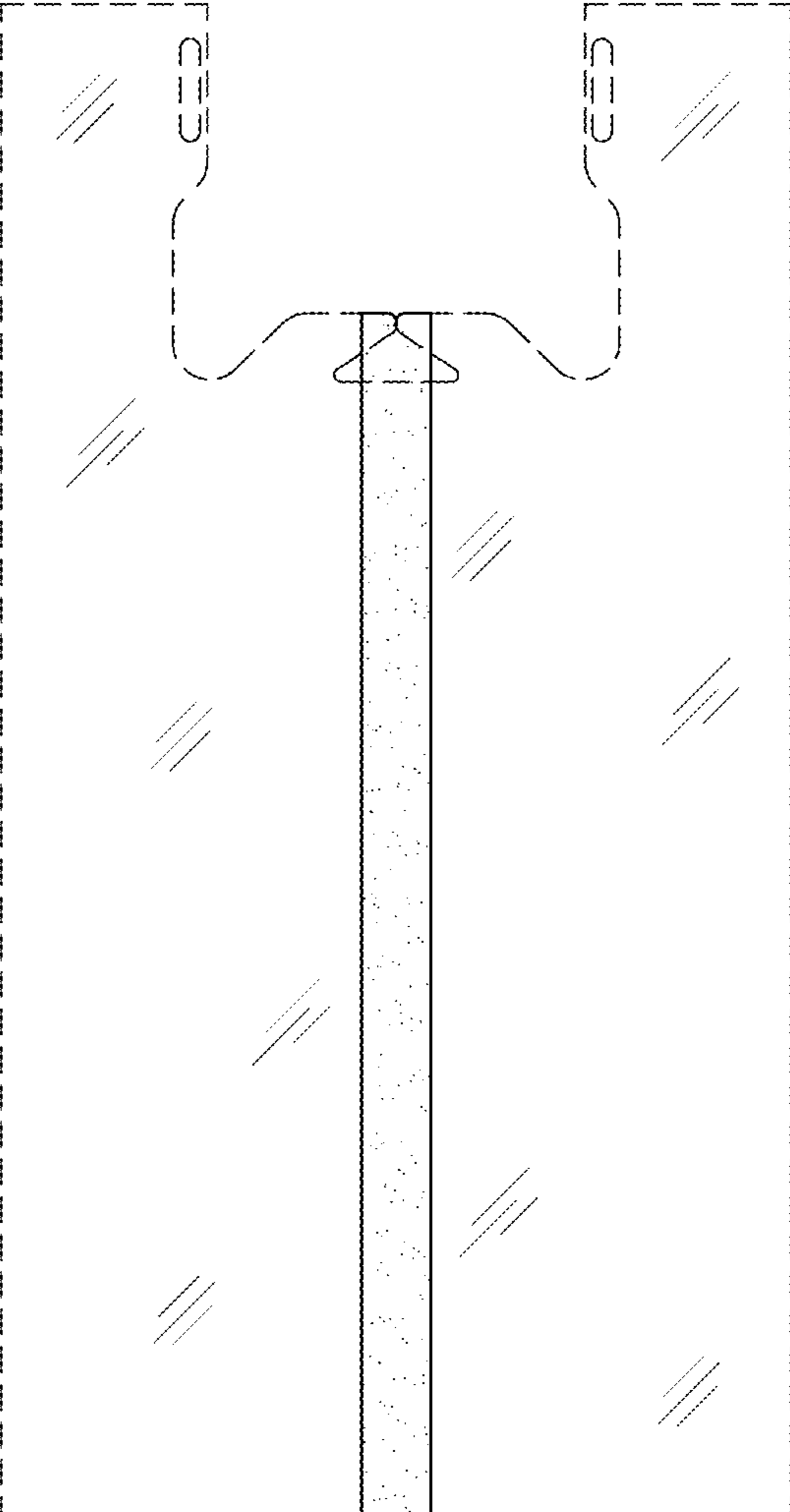


FIG. 3

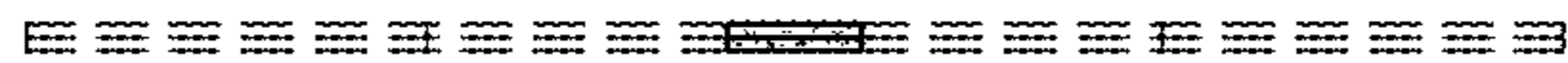


FIG. 4

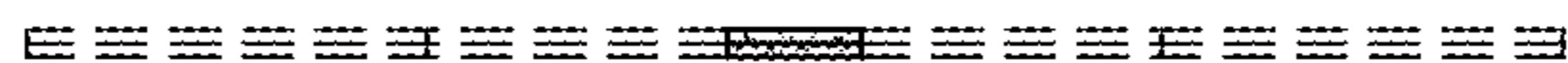


FIG. 5



FIG. 6



FIG. 7

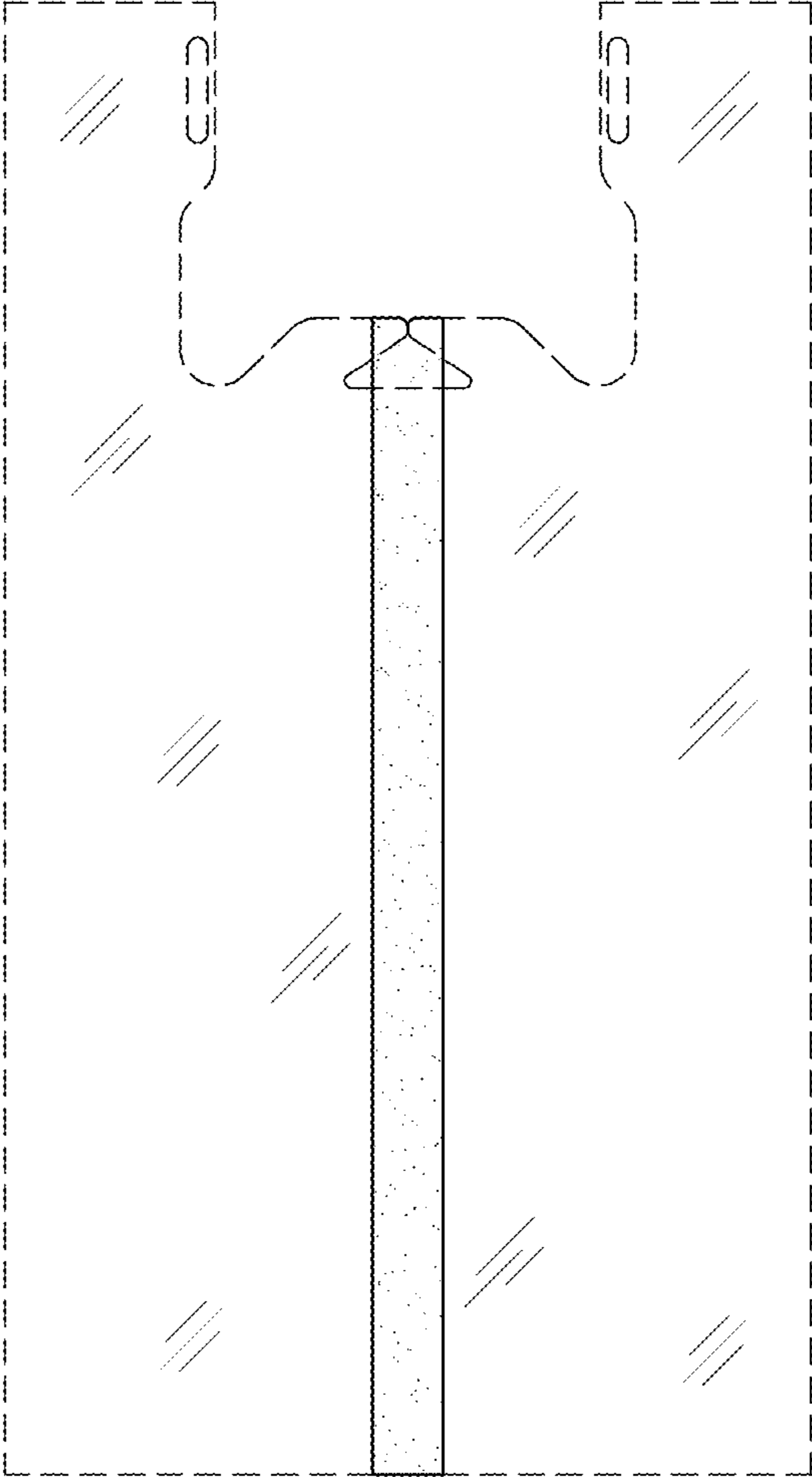


FIG. 8

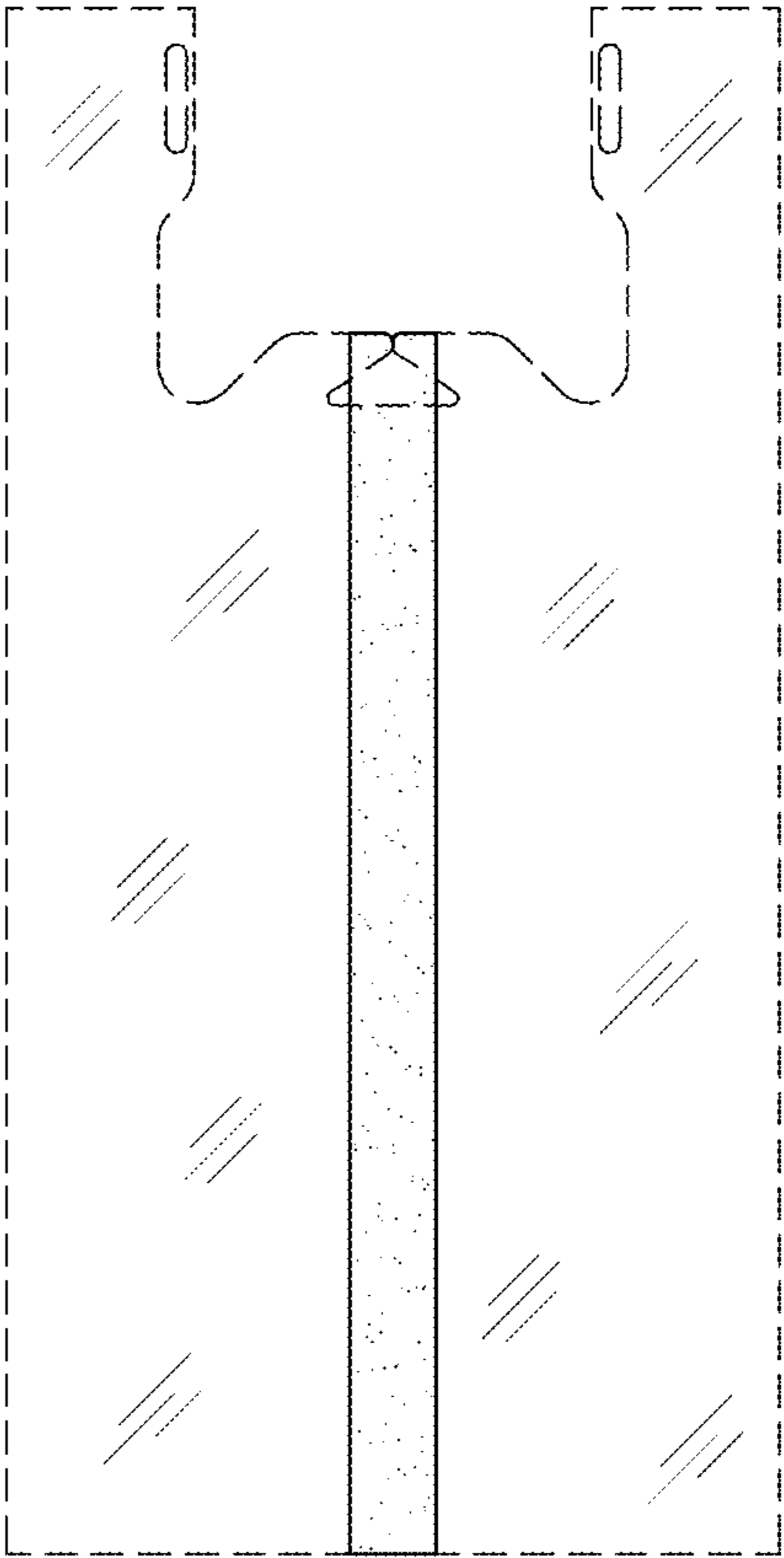


FIG. 9

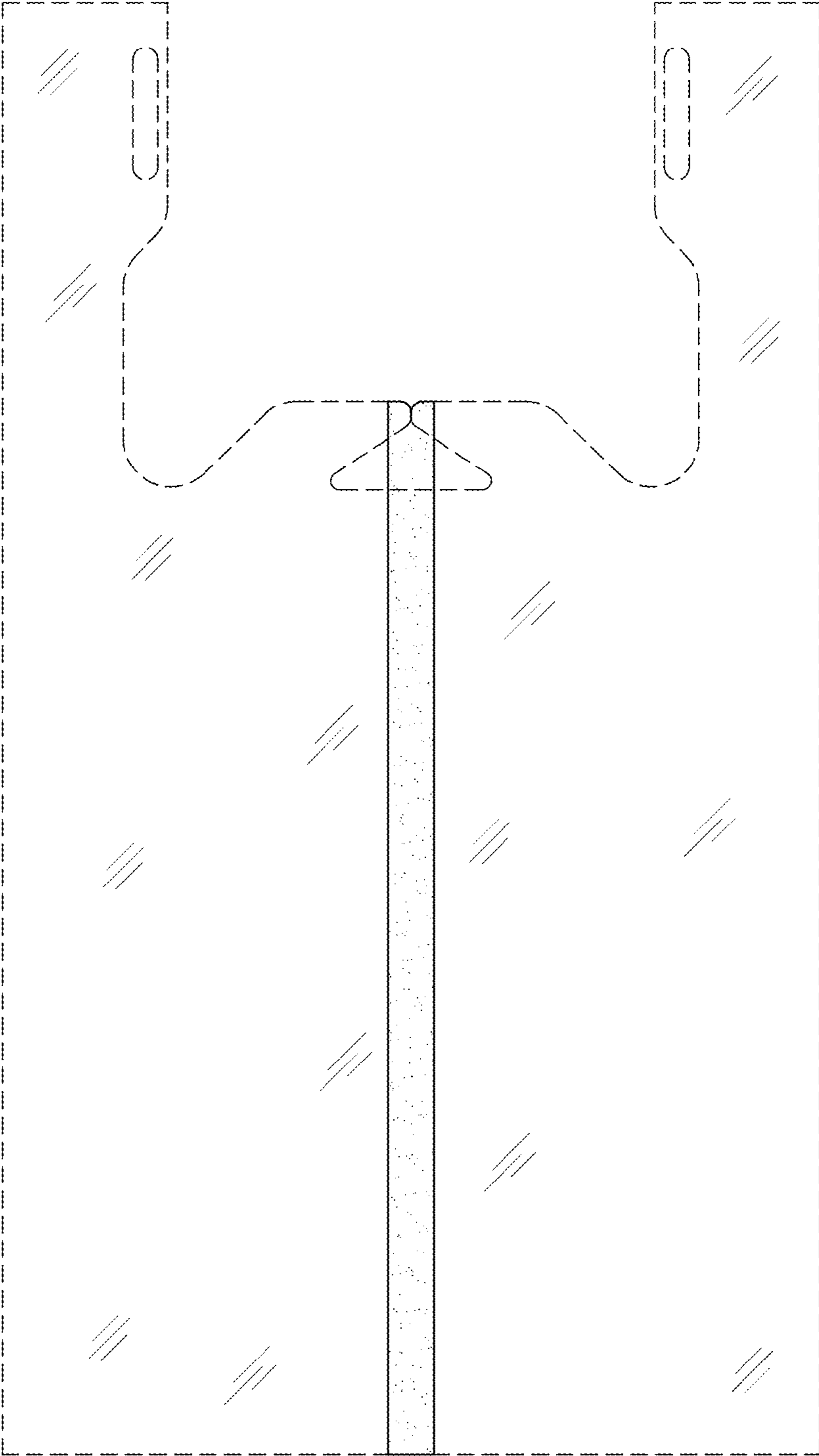


FIG. 10

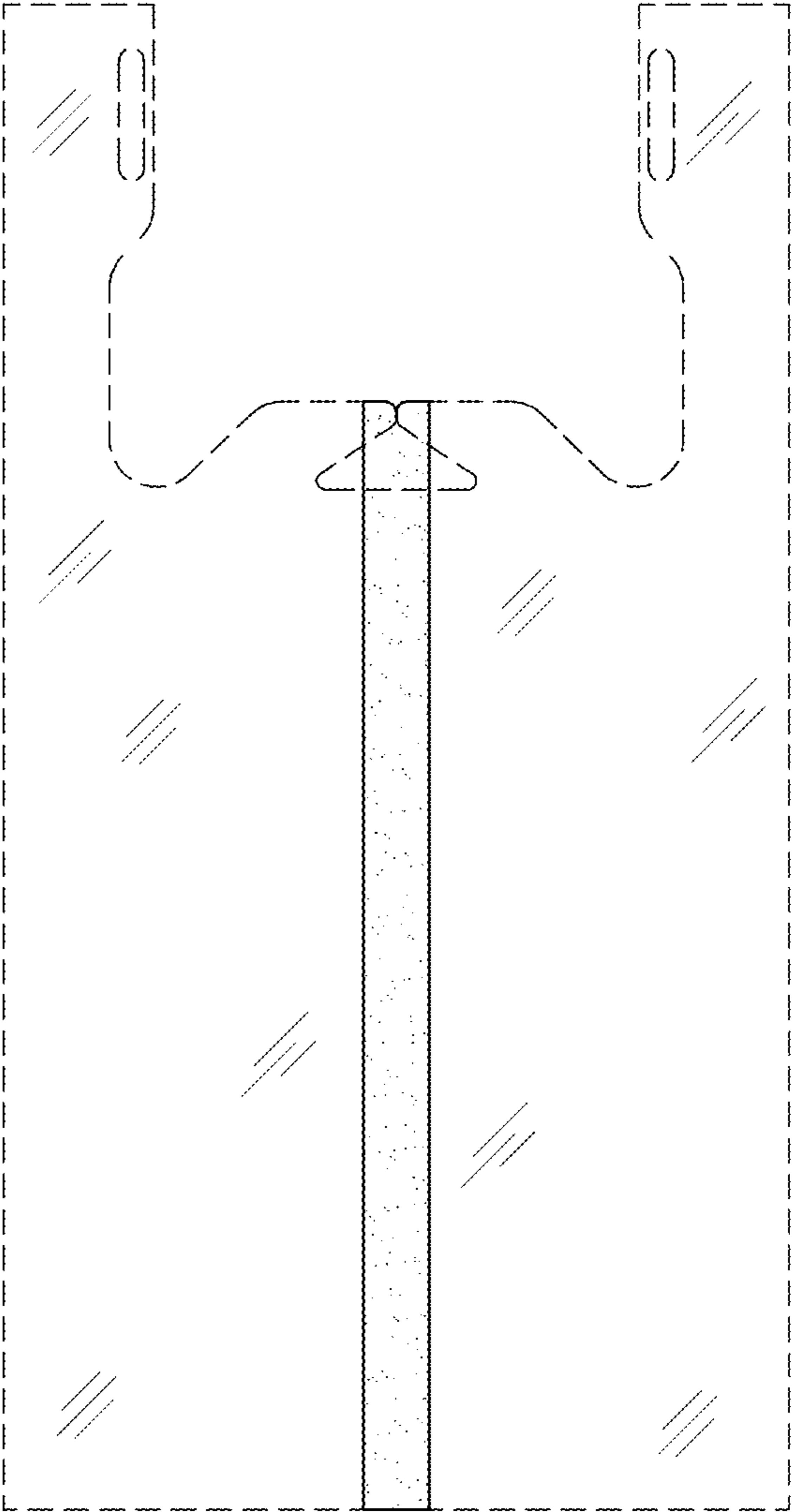


FIG. 11

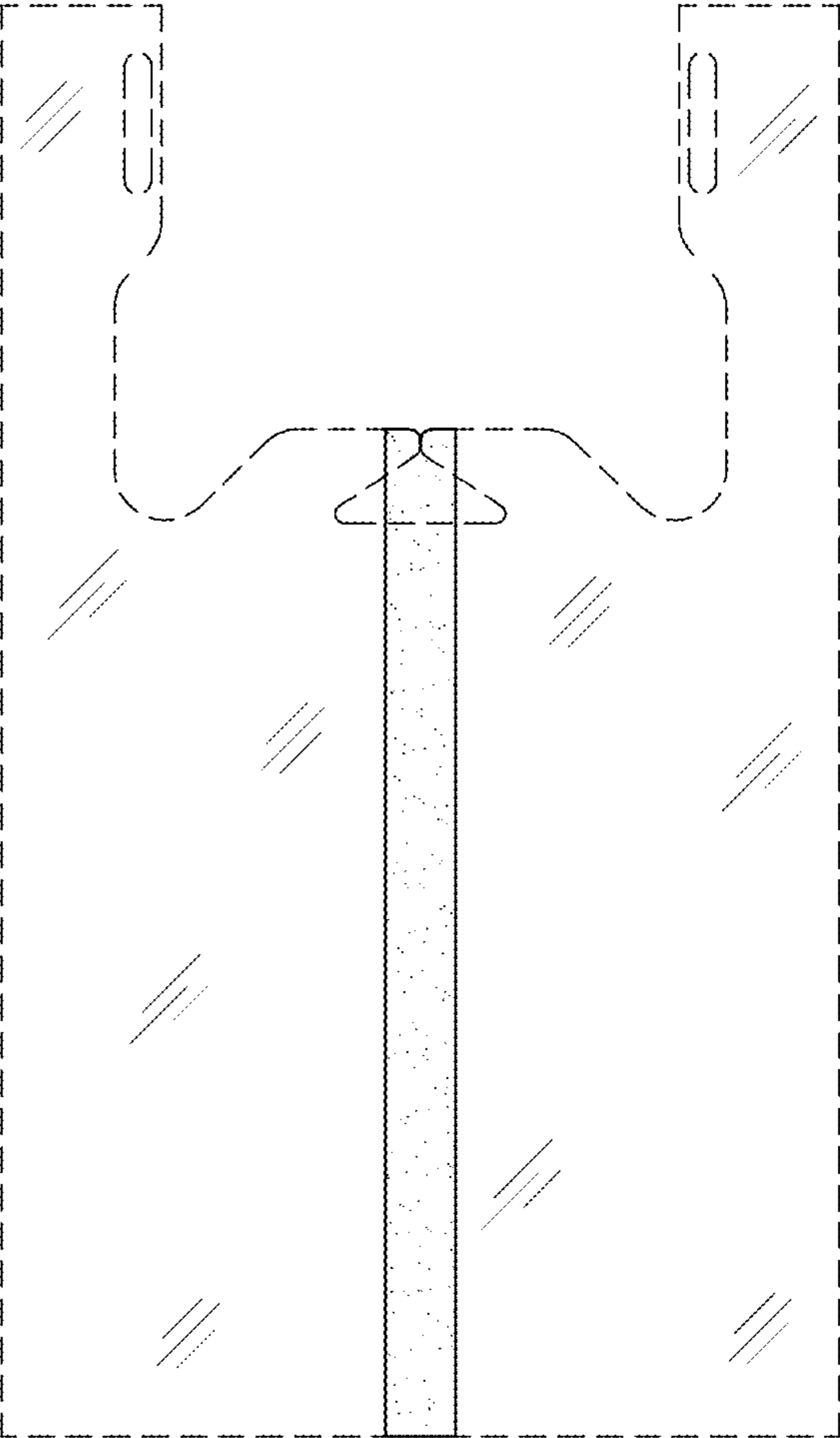
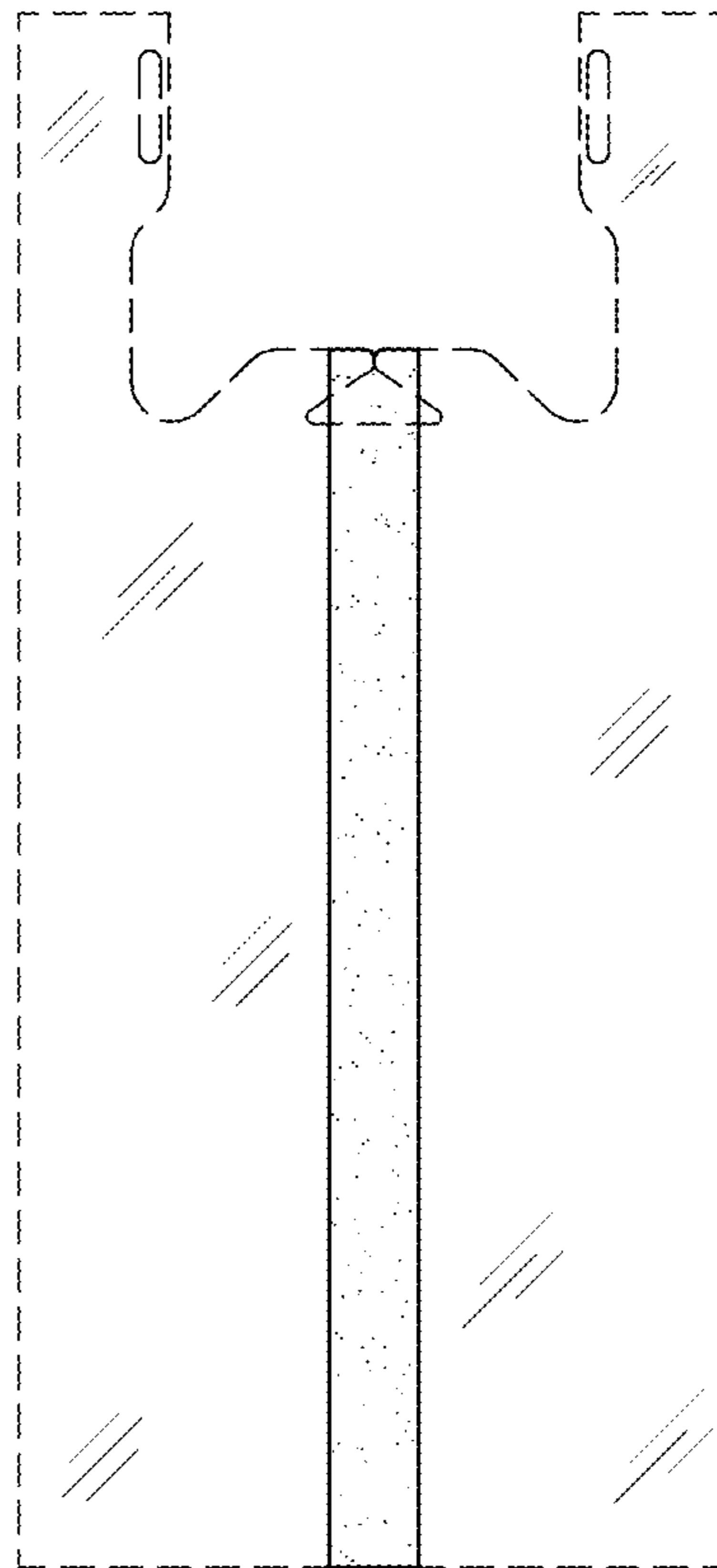


FIG. 12



UNITED STATES PATENT AND TRADEMARK OFFICE
CERTIFICATE OF CORRECTION

PATENT NO. : D755,640 S
APPLICATION NO. : 29/470764
DATED : May 10, 2016
INVENTOR(S) : Ben Tseng et al.

Page 1 of 1

It is certified that error appears in the above-identified patent and that said Letters Patent is hereby corrected as shown below:

Title page of the patent, item 73, Assignee:

“Interplast Group Corporation”

Should read

-- Inteplast Group Corporation --.

Signed and Sealed this
Twelfth Day of July, 2016



Michelle K. Lee
Director of the United States Patent and Trademark Office